

Sanitary Systems

Roth Cariba CI 2PL / CI 2PR

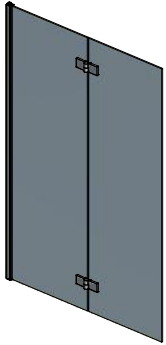

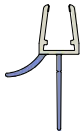
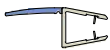
Roth

Assembling Instruction
Montageanleitung
Notice de montage
Montážní návod


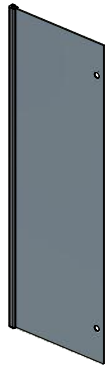
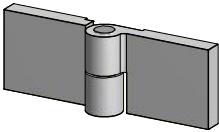
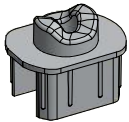


Shower for life




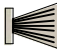

CI 2PL

POS.	PREVIEW	PCS	SPARE PART
1.		1	
2.		1	P6574
3.		1	P6124
4.	ACCESSORIES	1	P6318
5.		1	P6142












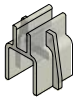
1. DOOR SET

POS.	PREVIEW	PCS	SPARE PART
1.1		1	V318
1.2		1	V317
1.3		2	MB0497
1.4		2	MA9747

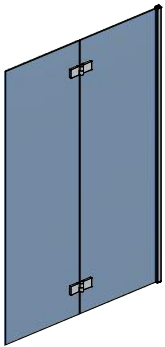
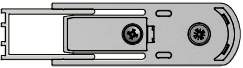
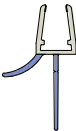
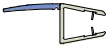
2. P6574

POS.	PREVIEW	PCS	SPARE PART
2.1		2	MA9741
2.2		1	P5949
2.3		1	P5950
2.4		1	ND01-3398
2.5		2	M3372



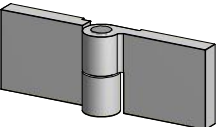
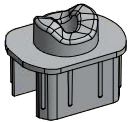
4. P6318

POS.	PREVIEW
4.1	
4.2	
4.3	3x 
4.4	3x 
4.5	
4.6	3x 
4.7	3x 
4.8	3x 
4.9	
4.10	
4.11	
4.12	




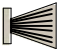

CI 2PR

POS.	PREVIEW	PCS	SPARE PART
1.		1	
2.		1	P6574
3.		1	P6124
4.	ACCESSORIES	1	P6318
5.		1	P6142












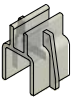
1. DOOR SET

POS.	PREVIEW	PCS	SPARE PART
1.1		1	V318
1.2		1	V317
1.3		2	MB0498
1.4		2	MA9747

2. P6574

POS.	PREVIEW	PCS	SPARE PART
2.1		2	MA9742
2.2		1	P5949
2.3		1	P5950
2.4		1	ND01-3398
2.5		2	M3372

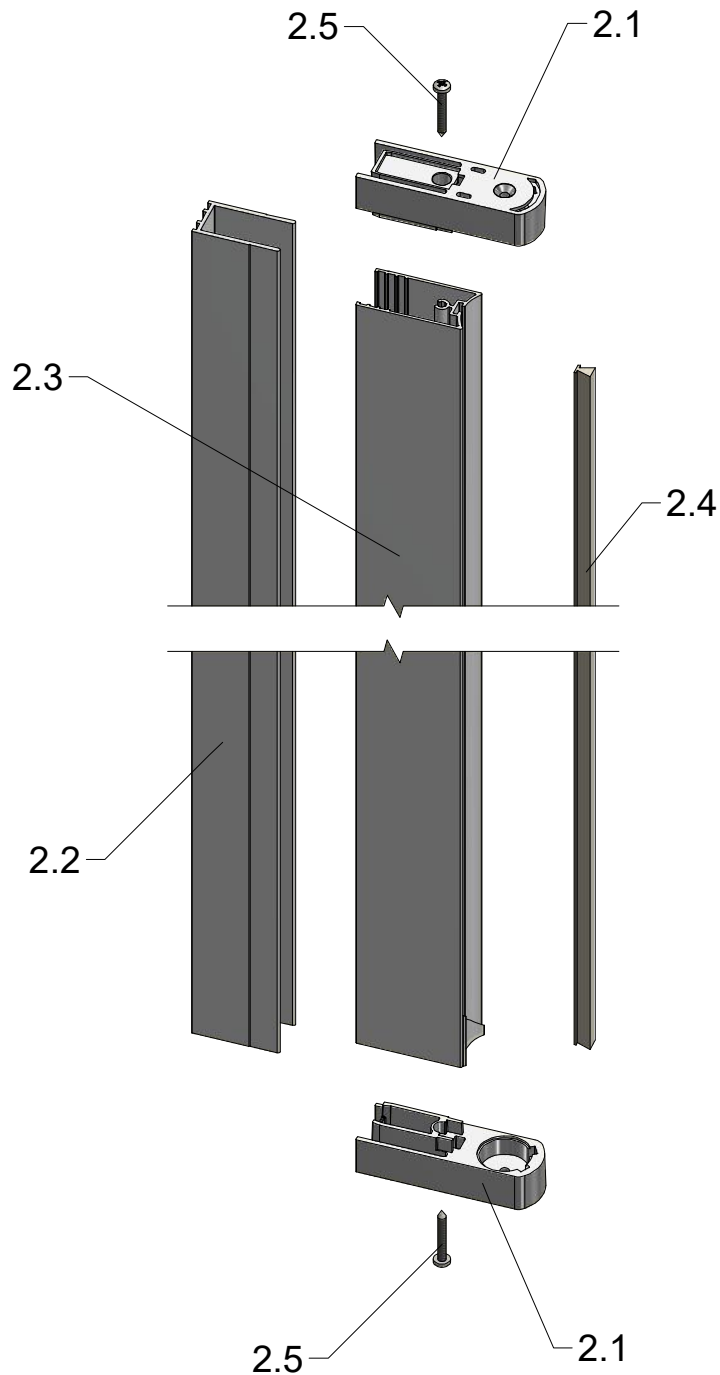
4. P6318

POS.	PREVIEW
4.1	
4.2	
4.3	3x 
4.4	3x 
4.5	
4.6	3x 
4.7	3x 
4.8	3x 
4.9	
4.10	
4.11	
4.12	

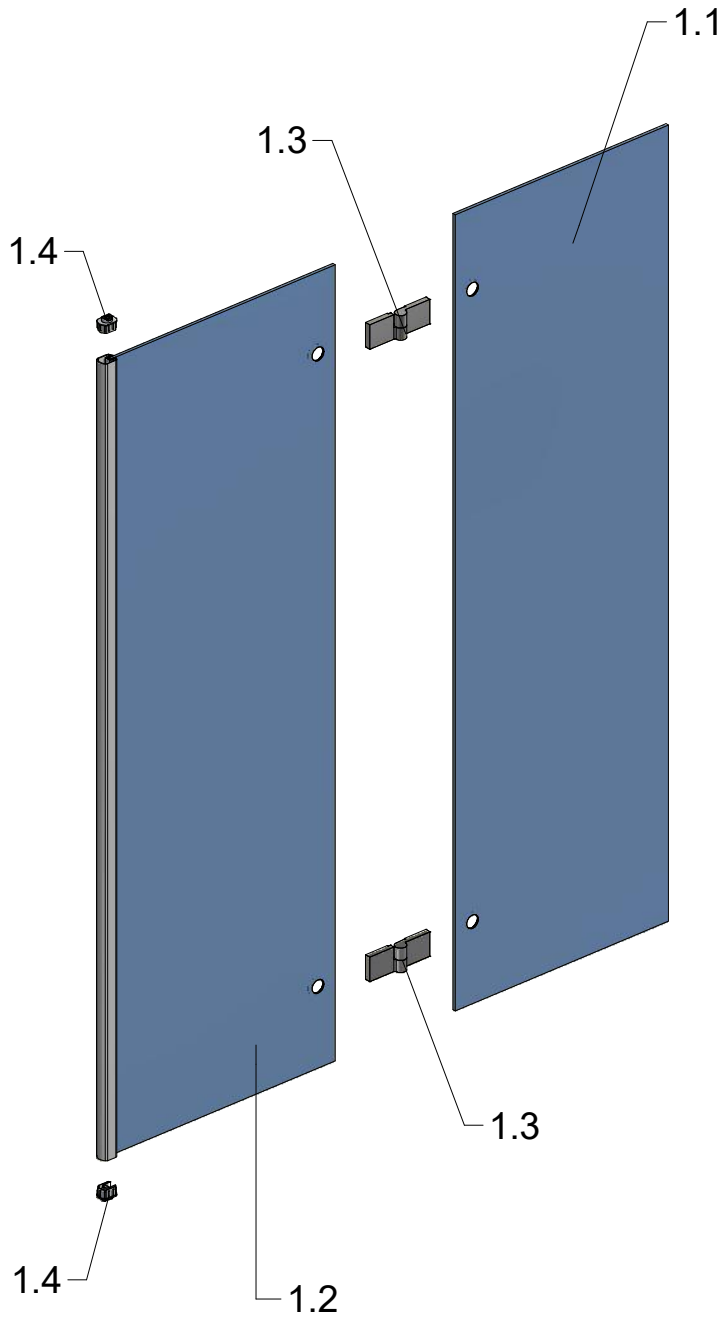
1.1 V318		
SIZE	GLASS	SPARE PART
2PL 1000	clear glass	ND02-0975-02
2PL 1200	clear glass	ND02-0976-02
2PR 1000	clear glass	ND02-0975-02
2PR 1200	clear glass	ND02-0976-02

1.2 V317		
SIZE	GLASS + PROFILE	SPARE PART
2PL 1000	clear glass+brillant	ND02-0977-00-02
2PL 1200	clear glass+brillant	ND02-0978-00-02
2PR 1100	clear glass+brillant	ND02-0977-00-02
2PR 1200	clear glass+brillant	ND02-0978-00-02

2. P6574



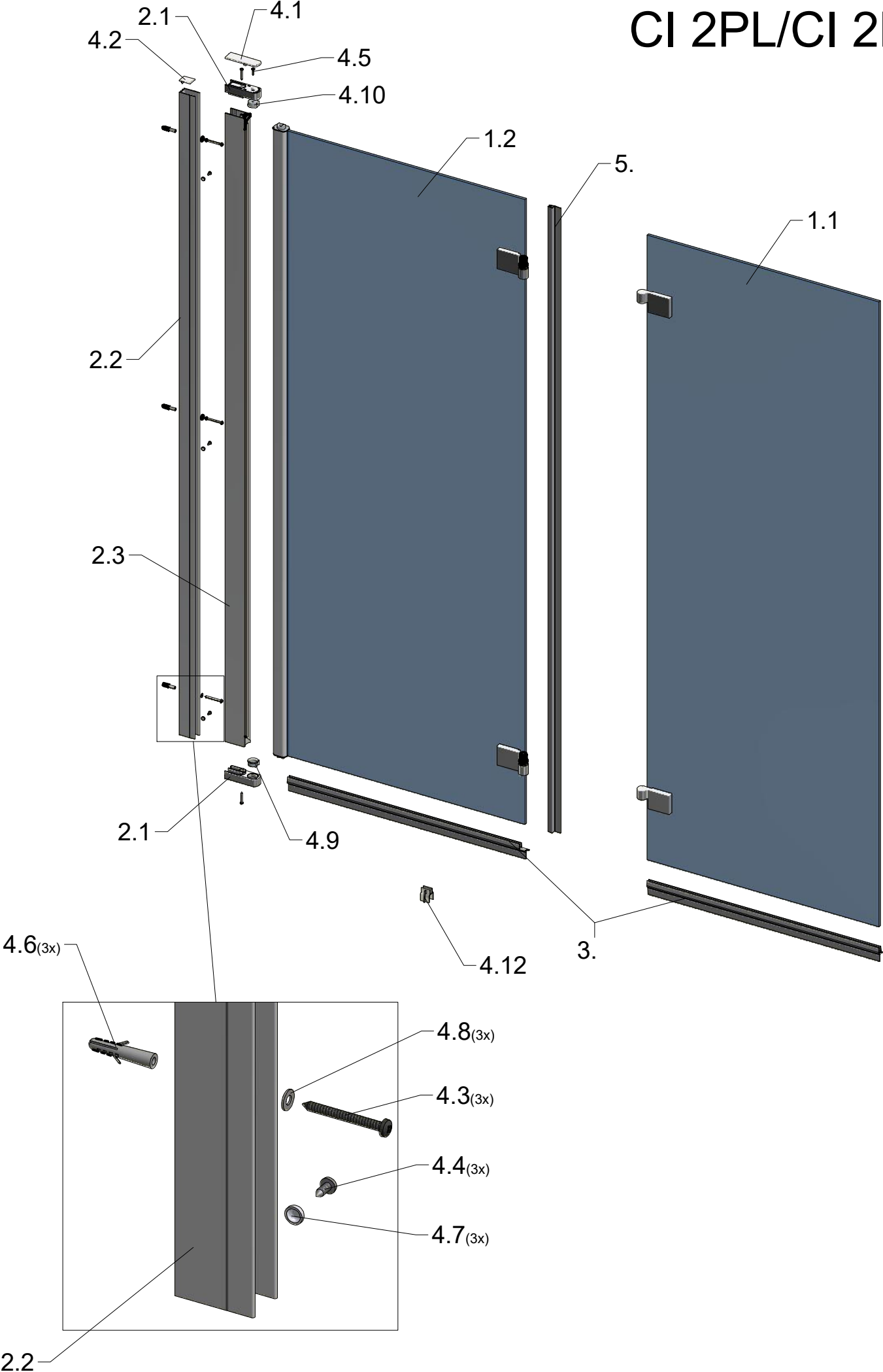
1. CI 2PL



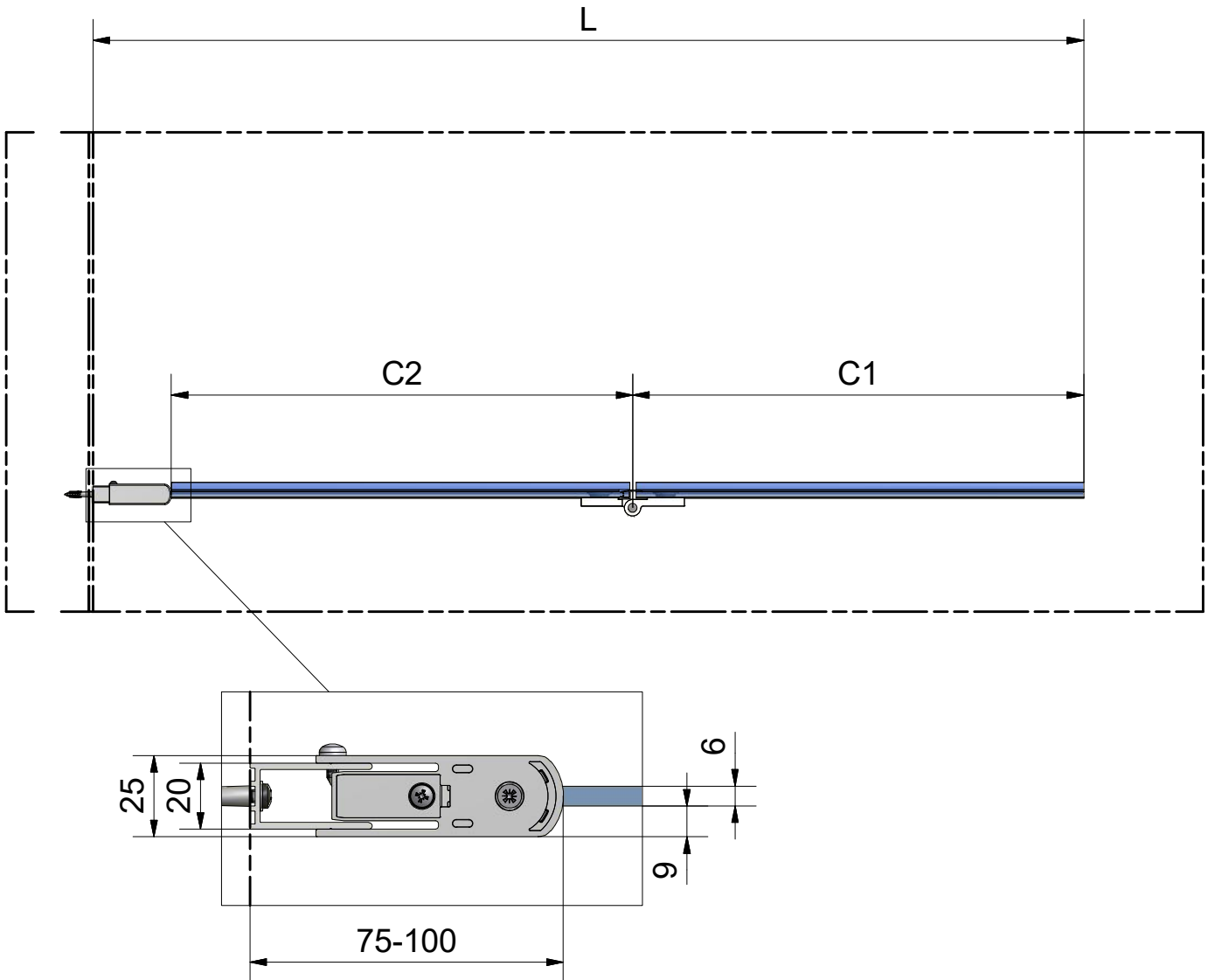
1. CI 2PR



CI 2PL/CI 2PR

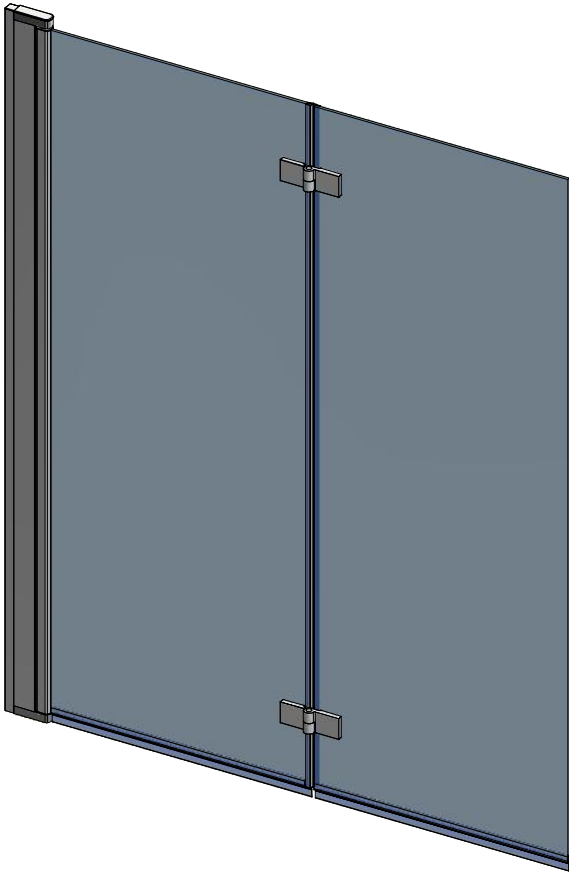


CI 2PL/CI 2PR

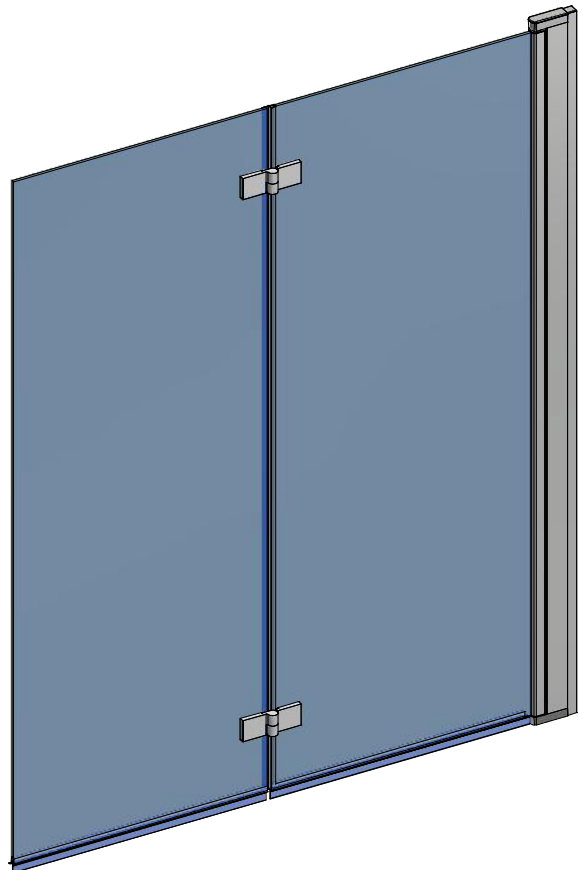


CI 2PL/CI 2PR				
ID	TYPE	L (mm)	C1(mm)	C2 (mm)
CI 2PL 100150 VPE	1000	980-1005	446	459
CI 2PR 100150 VPE	1000	980-1005	446	459
CI 2PL 120150 VPE	1200	1180-1205	546	559
CI 2PR 120150 VPE	1200	1180-1205	546	559

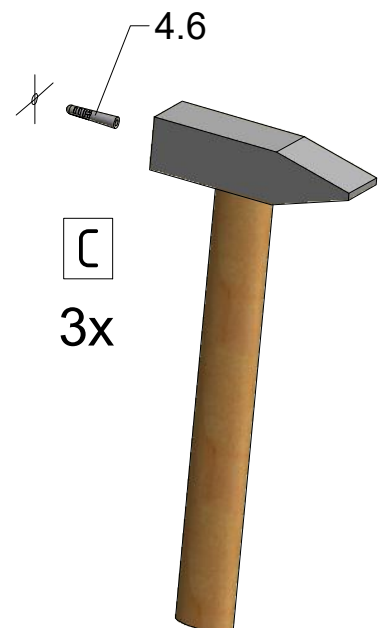
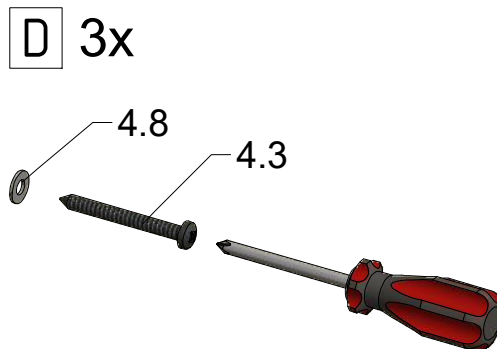
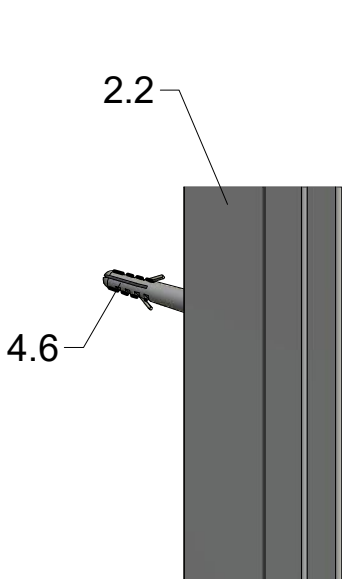
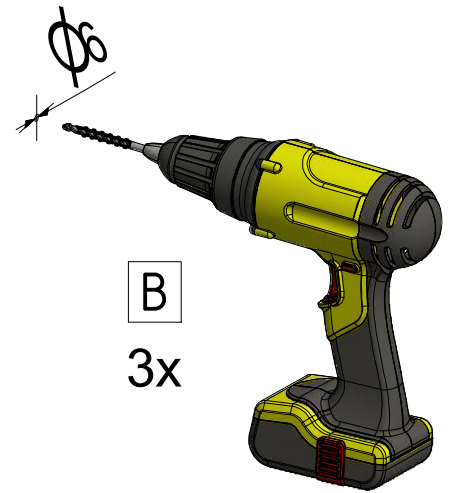
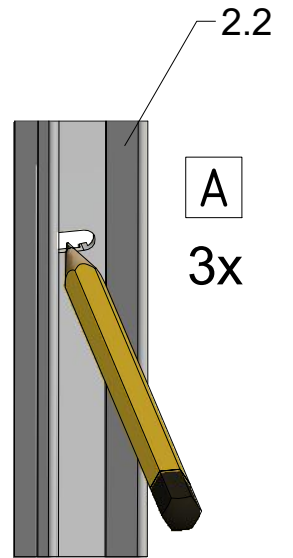
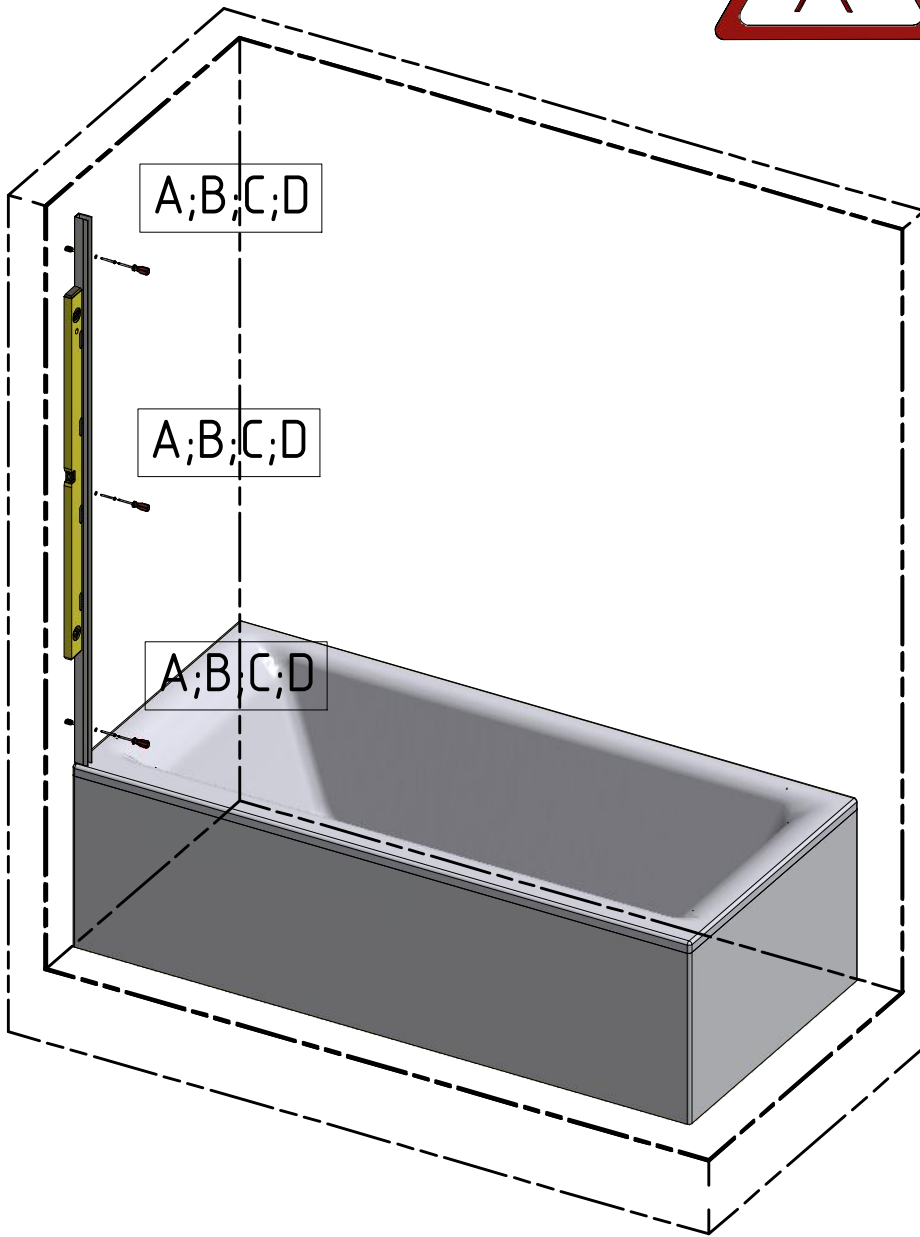
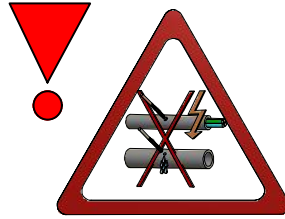
Next step in instructions is for left installation
(for right installation - proceed in a mirror image)

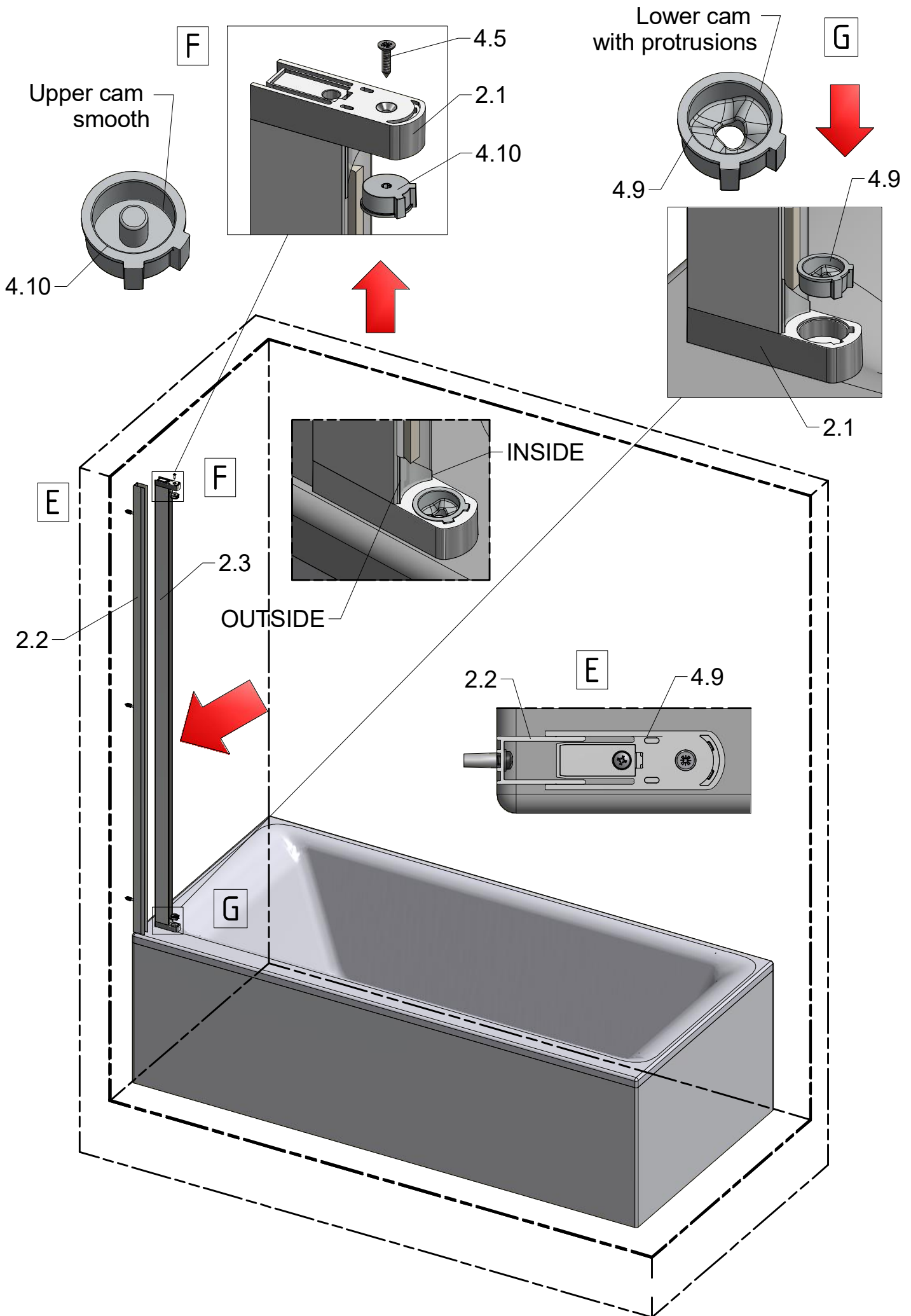


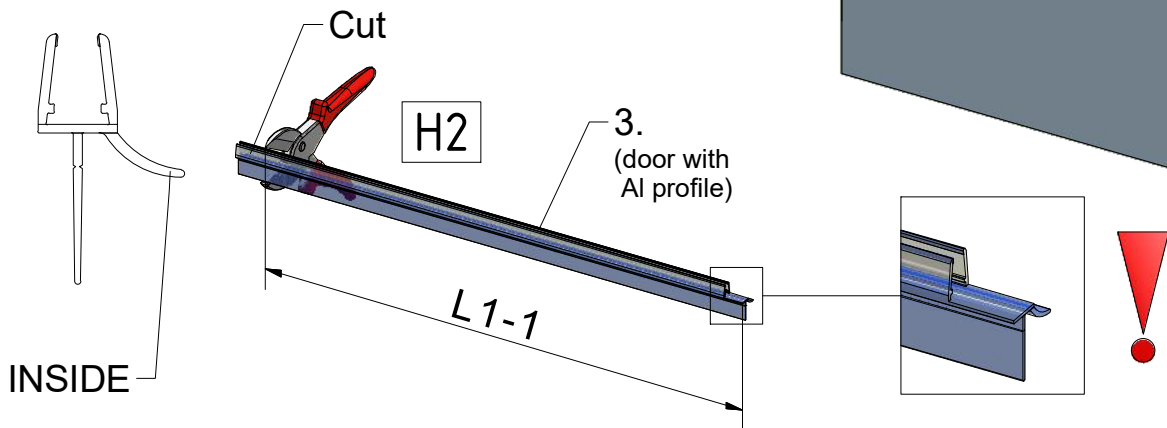
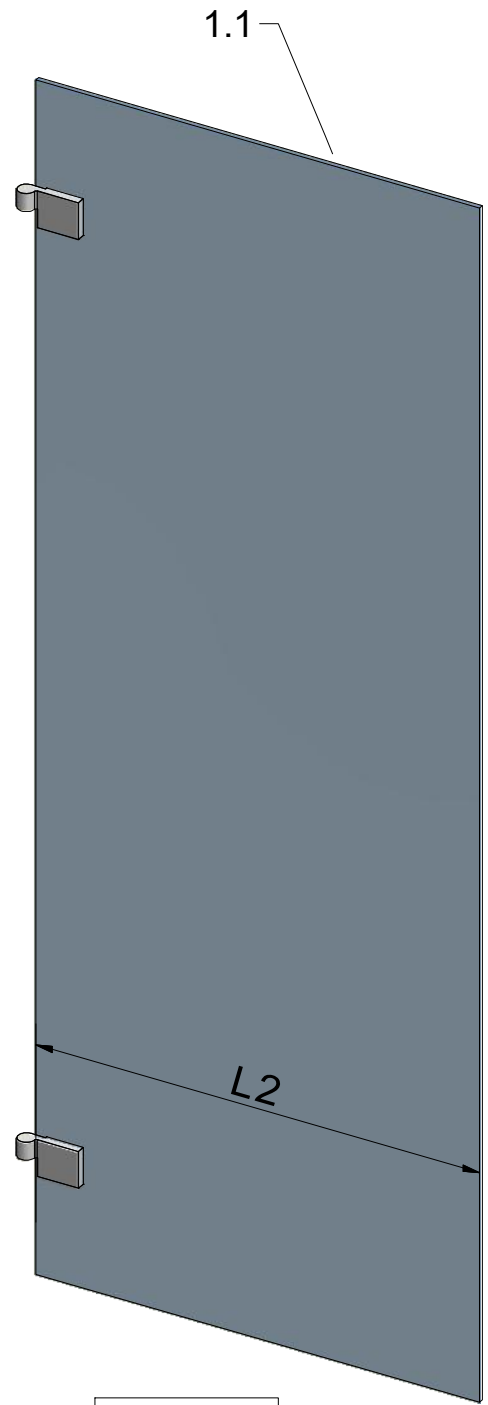
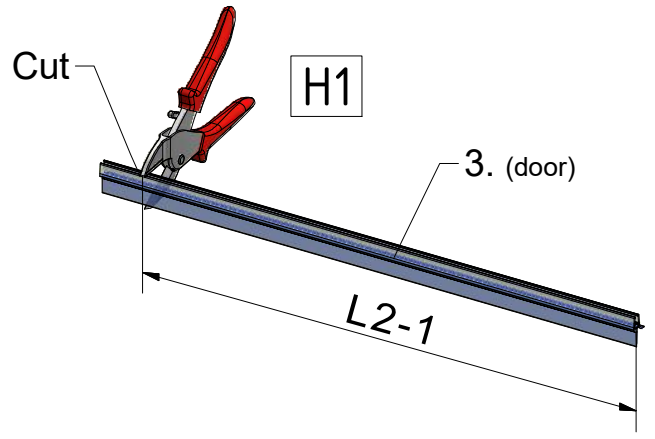
LEFT Installation

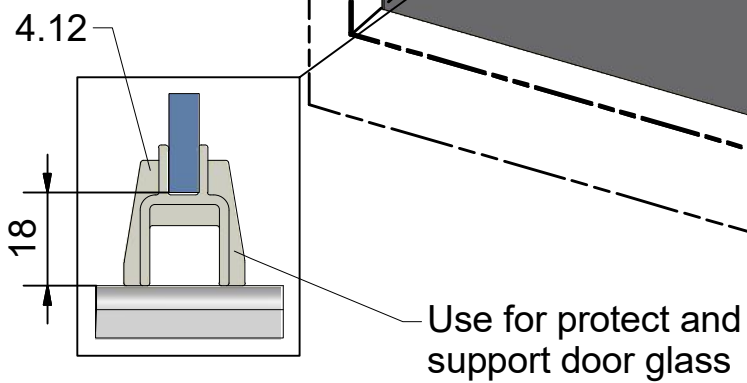
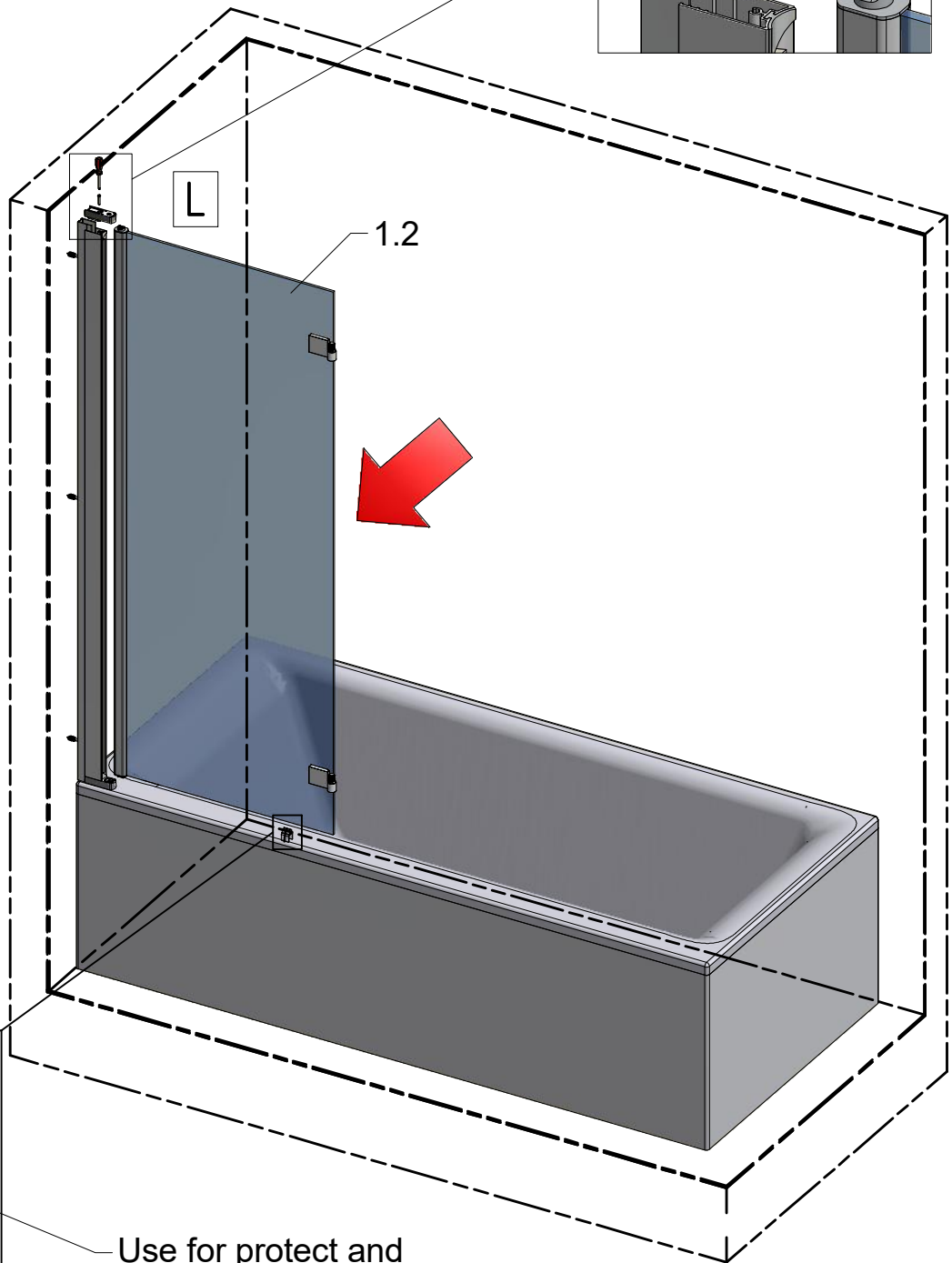
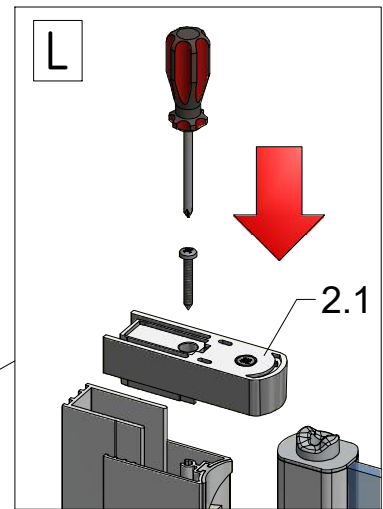
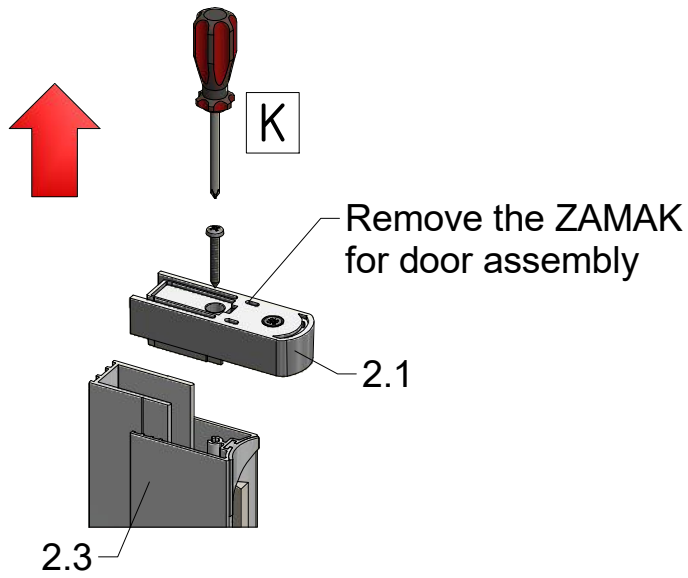


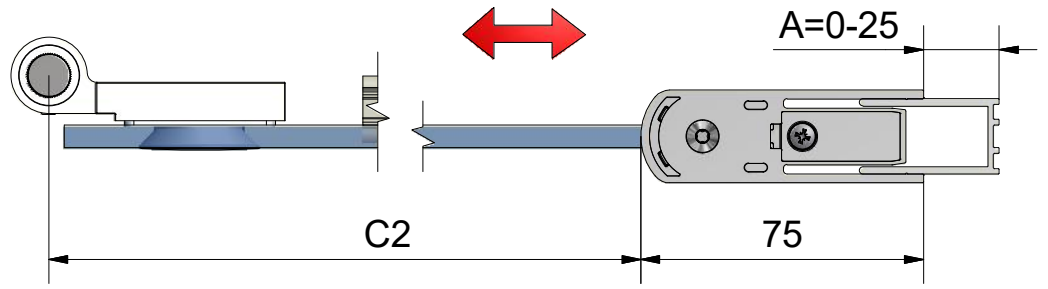
RIGHT Installation



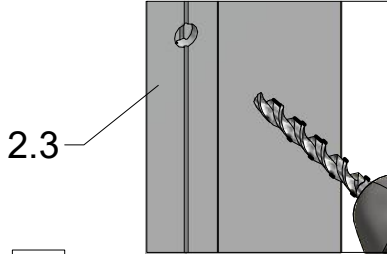






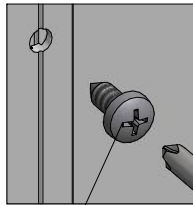


M 3x



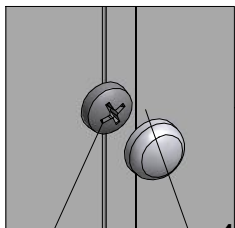
N

3x



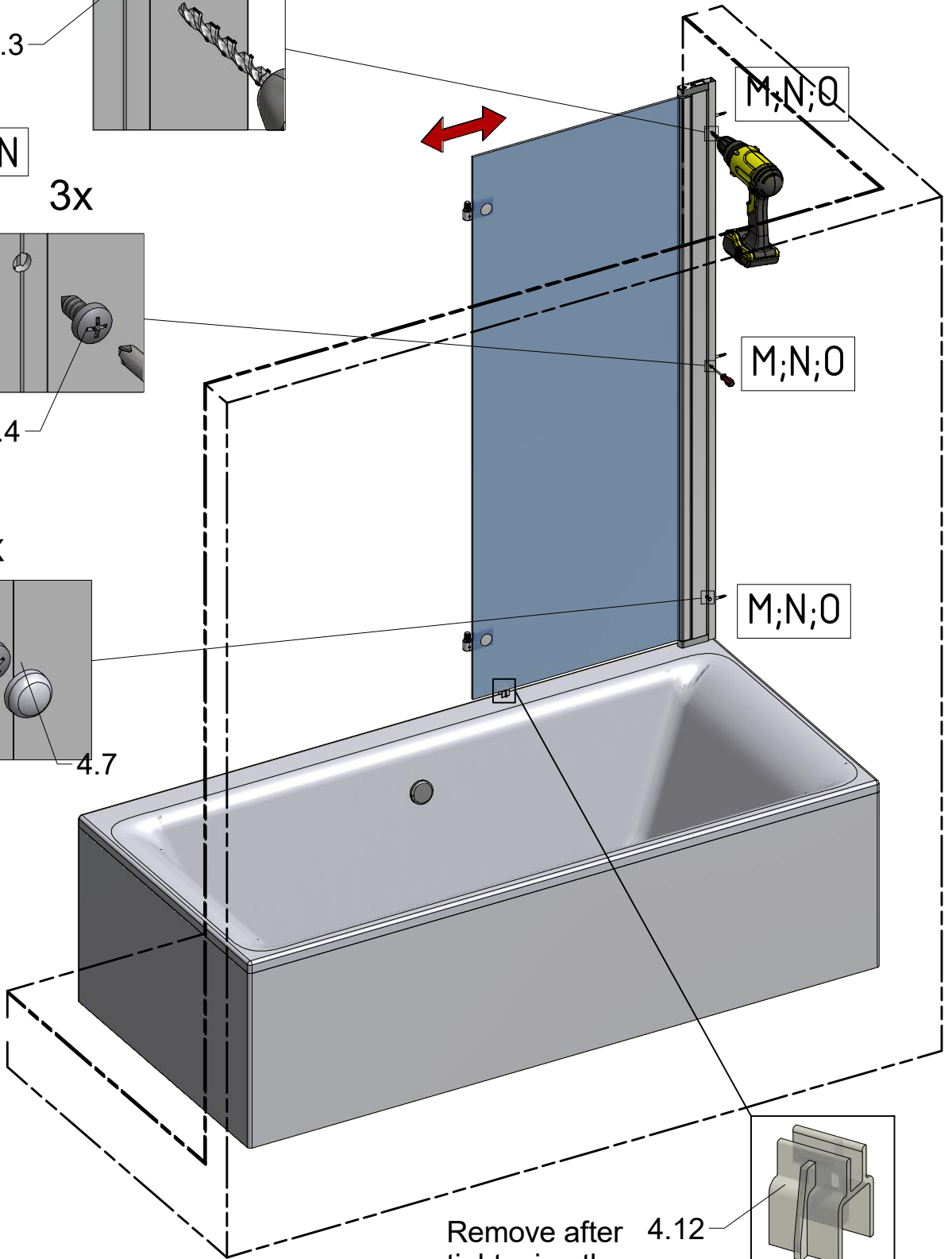
4.4

O 3x

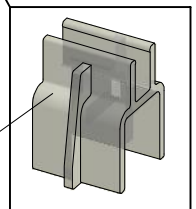


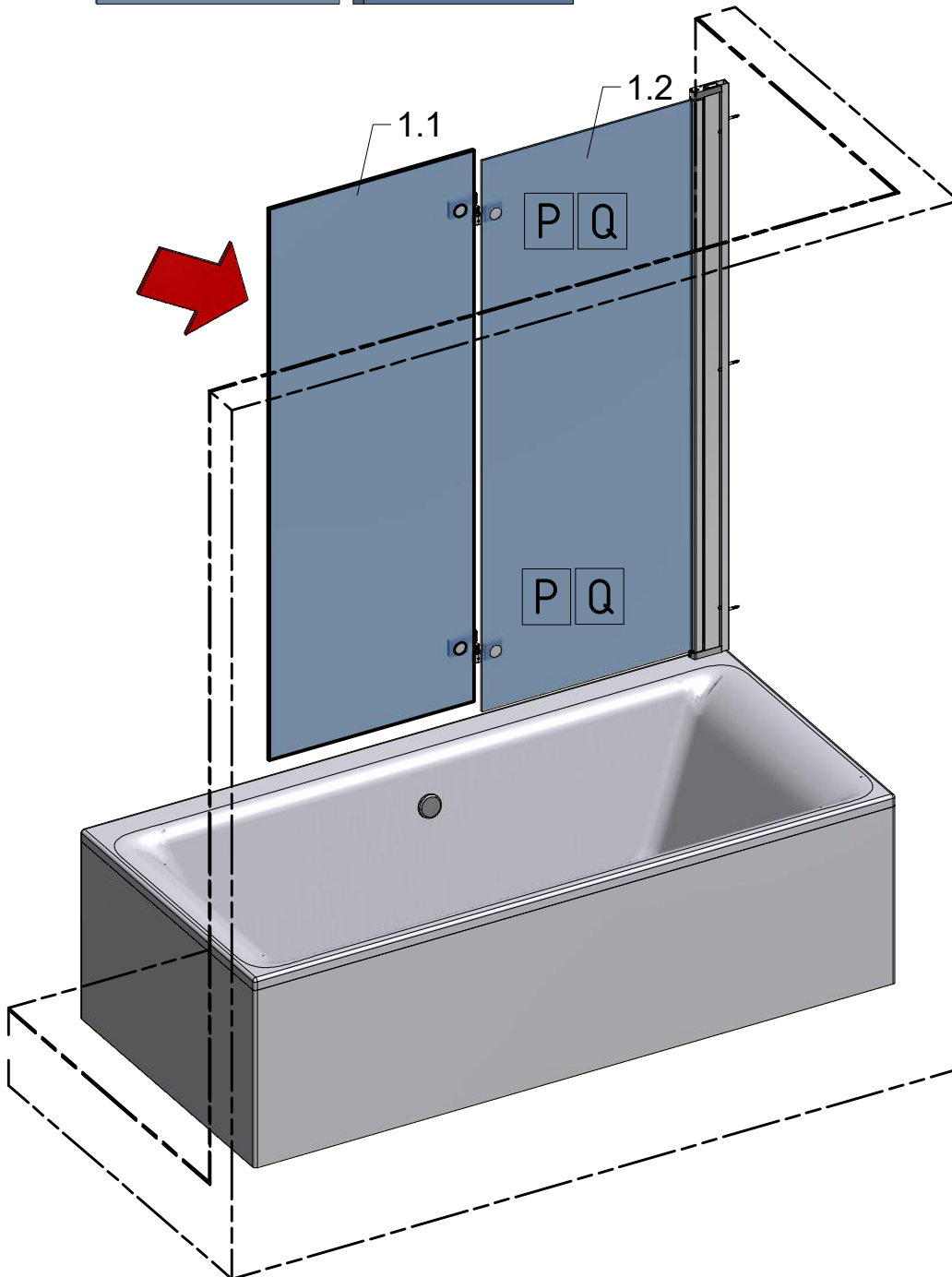
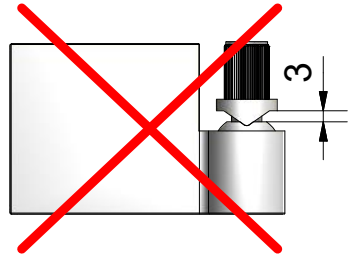
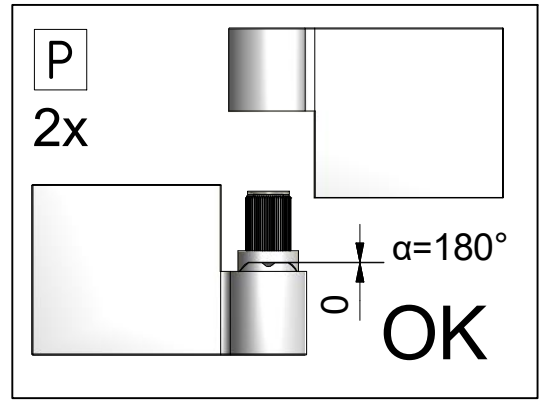
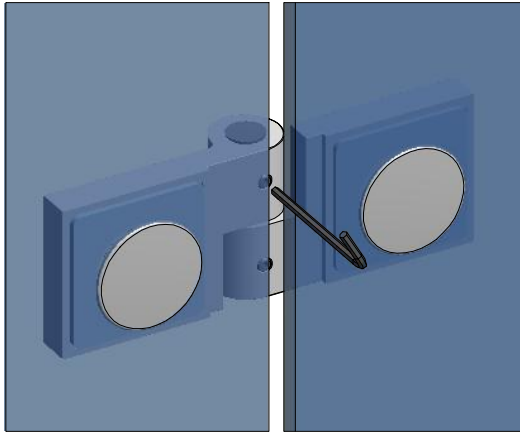
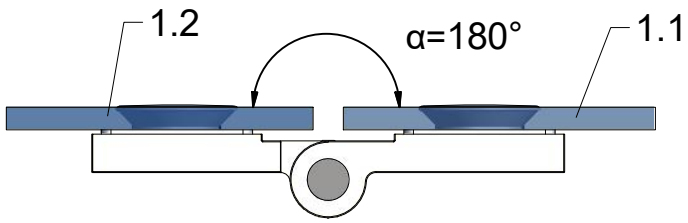
4.7

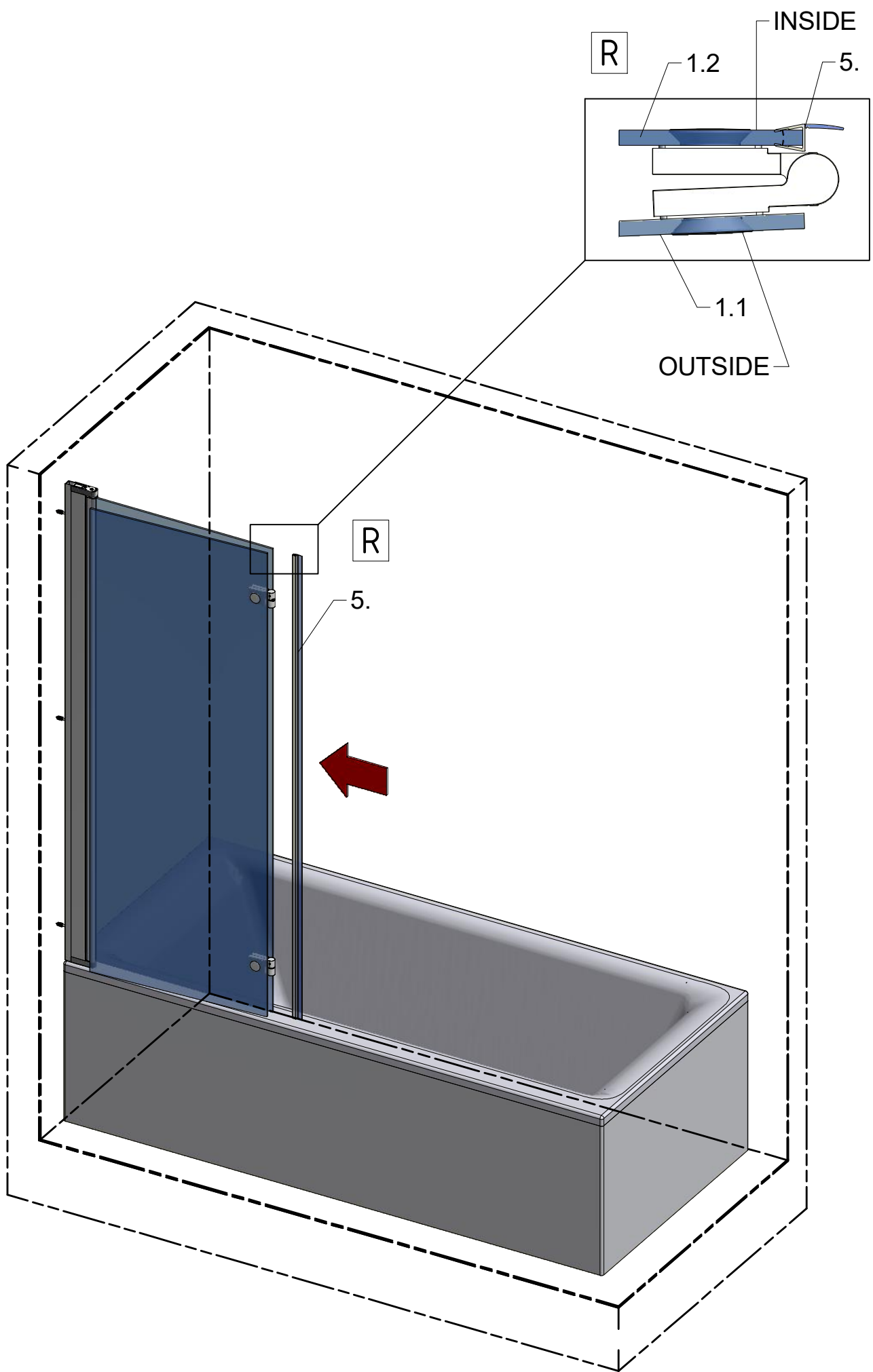
4.4

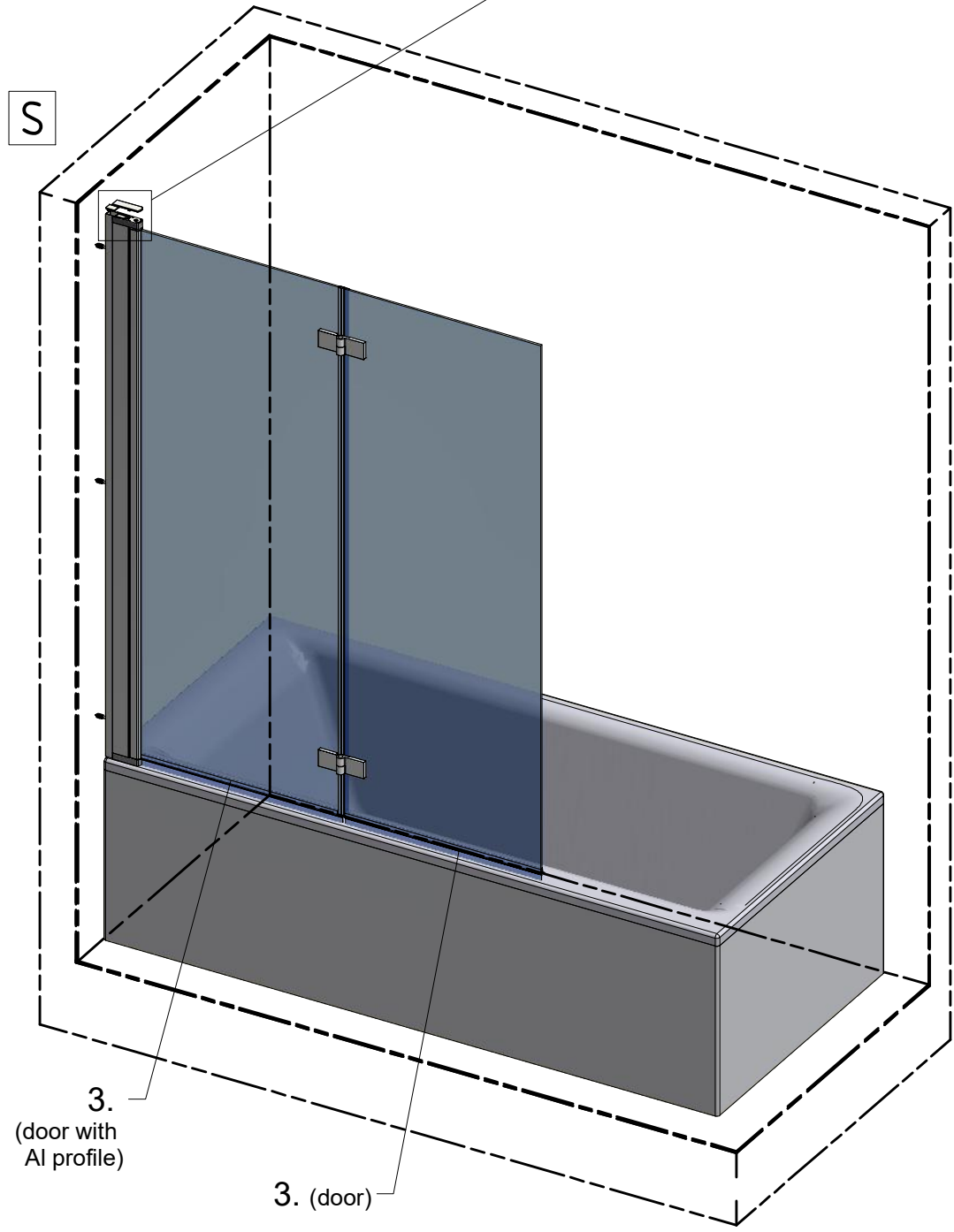
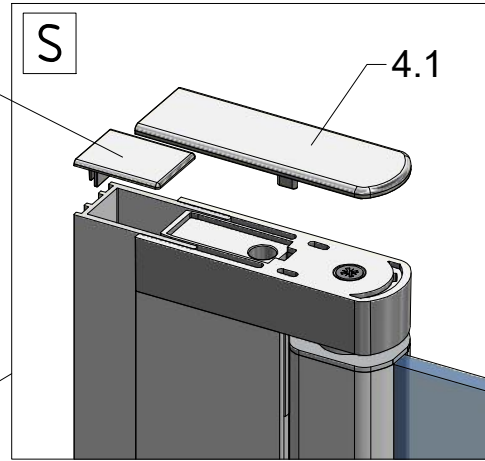


Remove after 4.12
tightening the screws



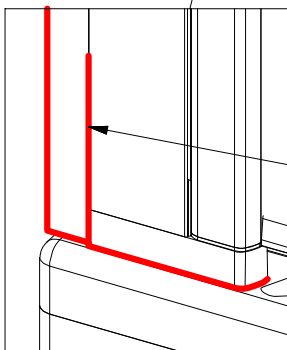
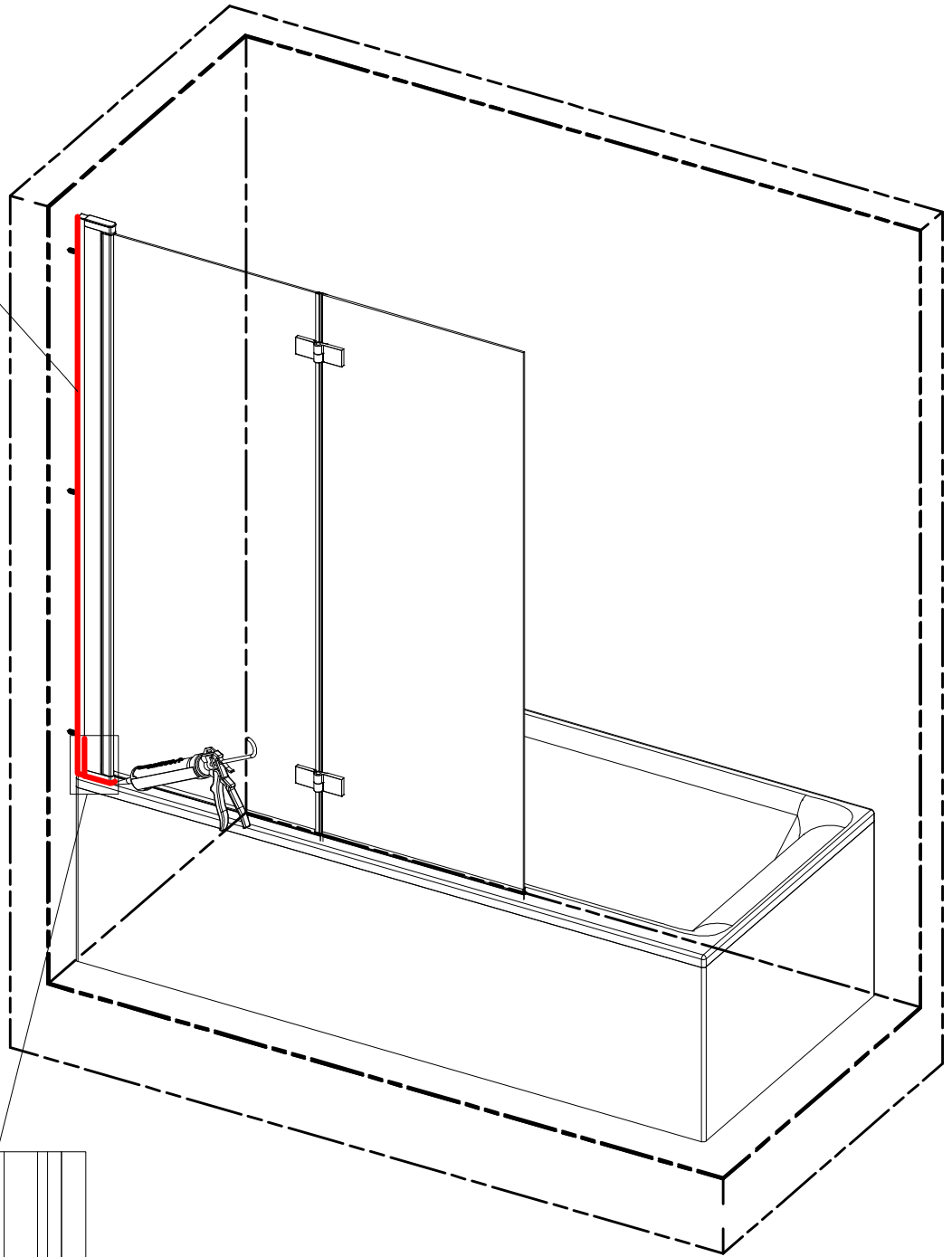




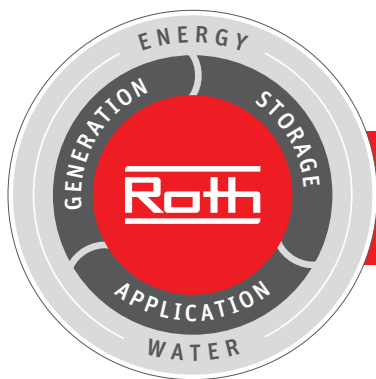




SILICONE



SILICONE
MIN 100mm



Roth Energy and Sanitary Systems

Generation

- Solar systems <
- Heat pump systems <

Storage

- Storage systems for Domestic & heating water <
- Combustibles and biofuels <
- Rainwater and waste water <

Application

- > Radiant heating and cooling systems
- > Pipe installation systems
- > Shower system

Roth

■ Deutschland

ROTH WERKE GMBH

Am Seerain 2
35232 Dautphetal
Telefon: 06466/922-0
Telefax: 06466/922-100
E-Mail: service@roth-werke.de
www.roth-werke.de

■ Czech Republic

Roth Czech s.r.o.

Třebořov 160
569 33 Třebořov
Tel.: +420 461 353 611
E-Mail: objednavky@roth-czech.cz
www.roth-czech.cz

■ France

ROTH FRANCE

CS 20090
78, rue Ampère - ZI
77465 Lagny sur Marne Cedex
Tél.: +420 461 353 611
www.roth-france.fr