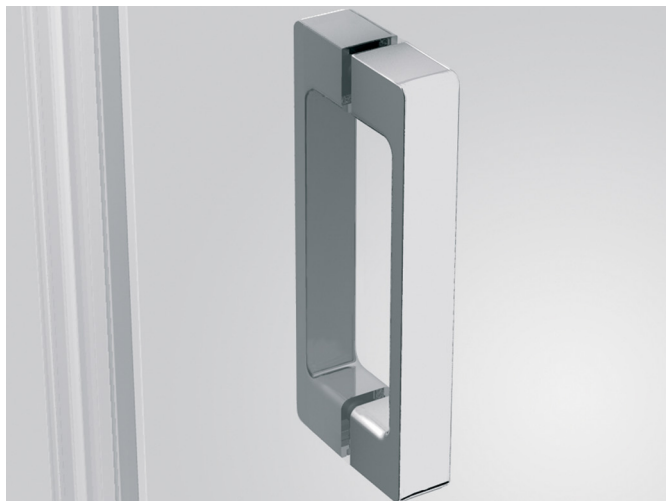
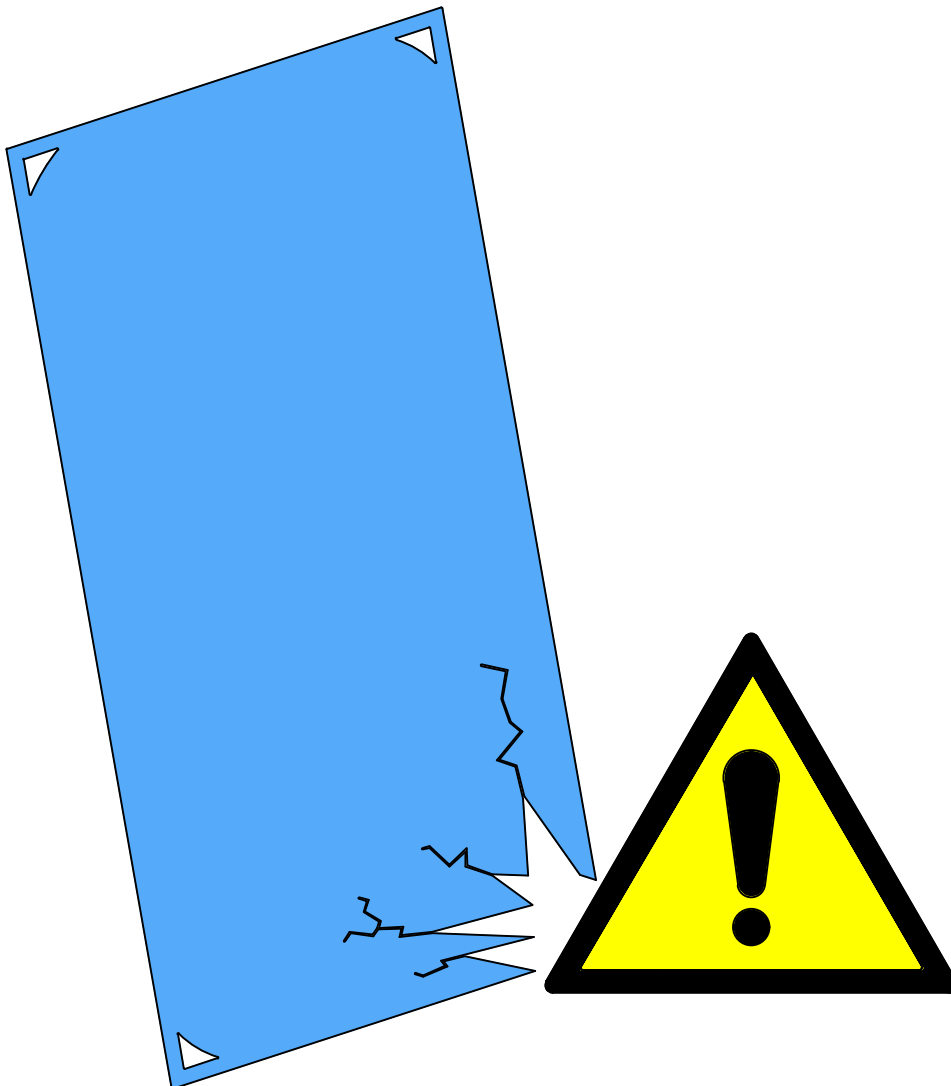
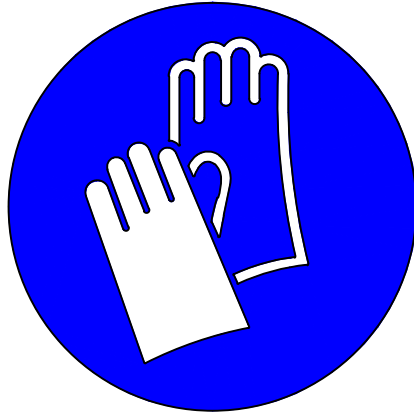
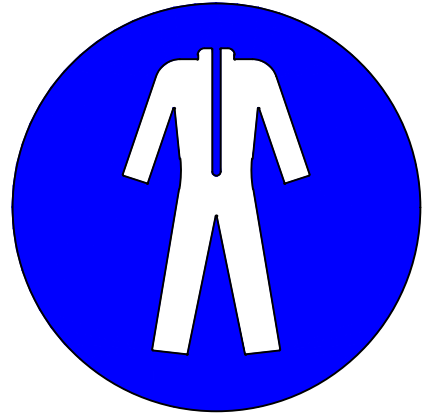
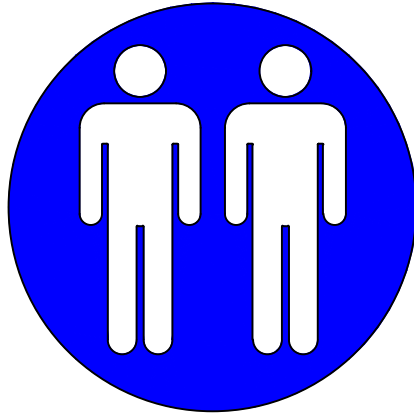



**Assembling Instruction
Montageanleitung
Notice de montage
Montážní návod**


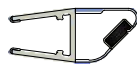
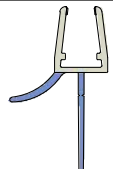

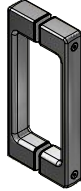


Shower for life



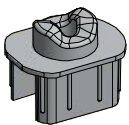
CI PIG

POS.	PREVIEW	PCS	SPARE PART
1.		1	V299

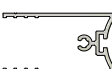
2.		1	P6294 (VPE) P6918 (NPE)
3.		1	P6139
4.		1	P6122
5.		1	P6133 (VPE) P6809 (NPE)
6.		1	MA9198 (VPE) MB2332 (NPE)
7.	ACCESSORIES	1	P6150 (VPE) P6924 (NPE)

1. V299













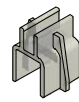
SIZE	clear glass+black	clear glass+brillant
750		ND02-0932-00-02
800	ND02-0933-05-02	ND02-0933-00-02
900	ND02-0934-05-02	ND02-0934-00-02
1000	ND02-0935-05-02	ND02-0935-00-02

POS.	PREVIEW	PCS	SPARE PART
1.1		2	MA9747 (VPE) MB2419 (NPE)

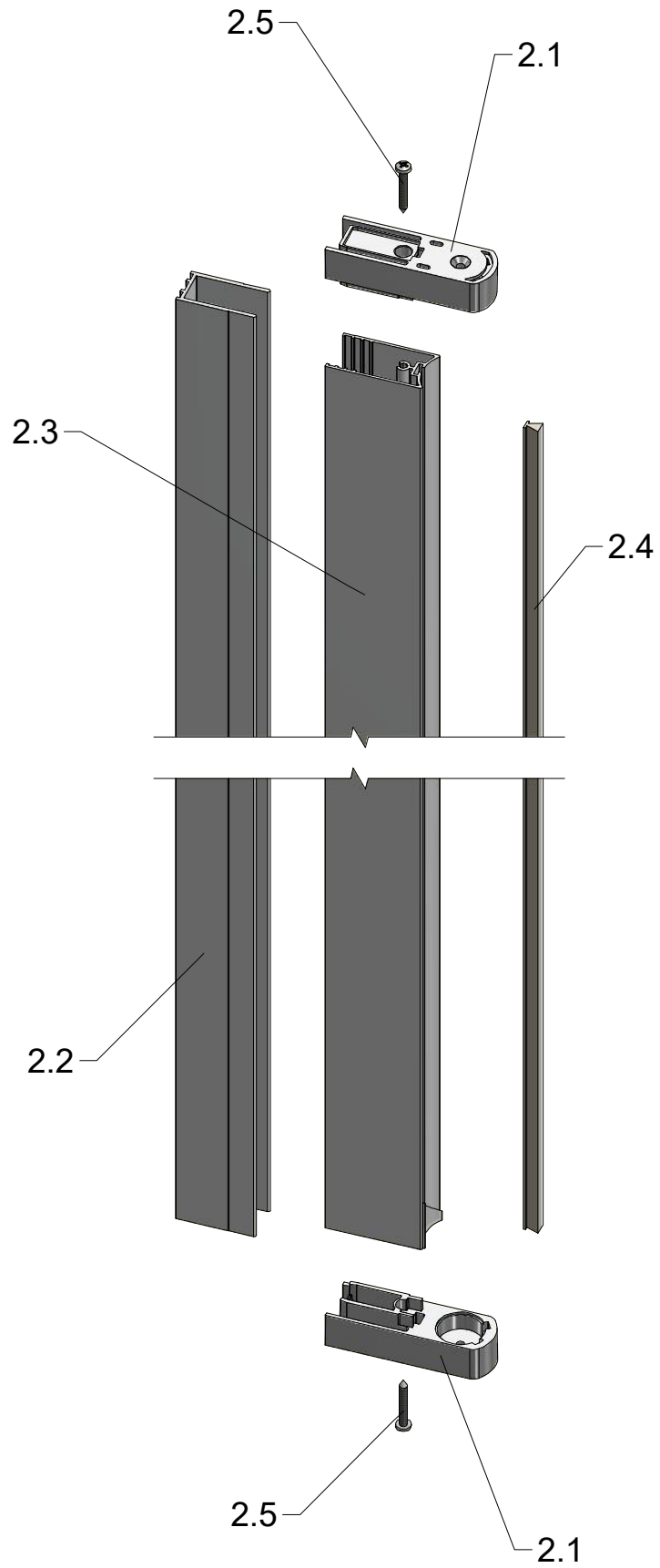
2. P6294 (VPE) P6918 (NPE)

POS.	PREVIEW	PCS	SPARE PART
2.1		2	MA9741 (VPE) MB2418 (NPE)
2.2		1	P5941 (VPE) P6792 (NPE)
2.3		1	P5876 (VPE) P6898 (NPE)
2.4		1	ND01-3398
2.5		2	M3372

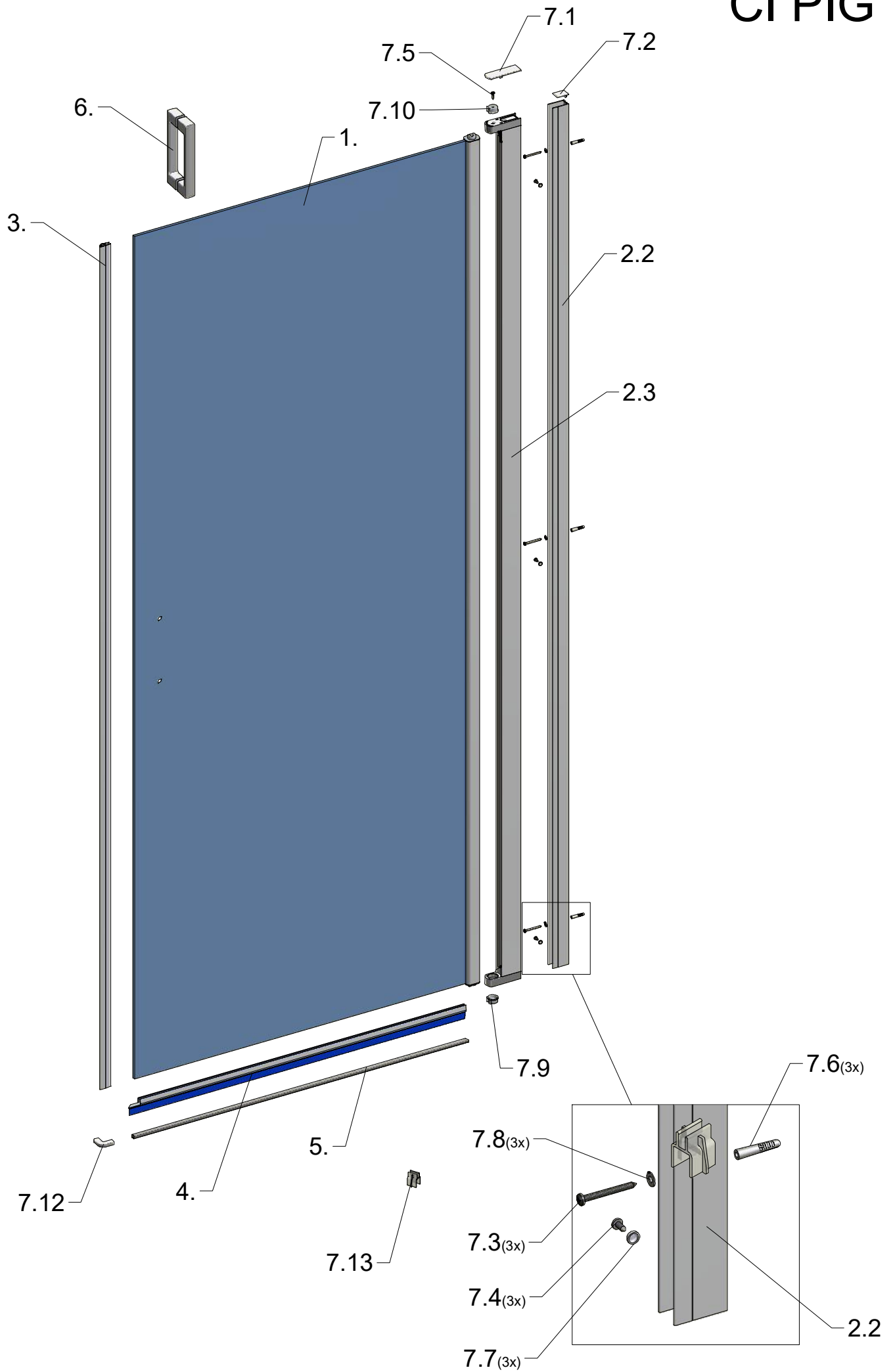
7. P6150 (VPE) P6924 (NPE)

POS.	PREVIEW	
7.1		
7.2		
7.3	3x	
7.4	3x	
7.5		
7.6	3x	
7.7	3x	
7.8	3x	
7.9		
7.10		
7.11		
7.12		
7.13		

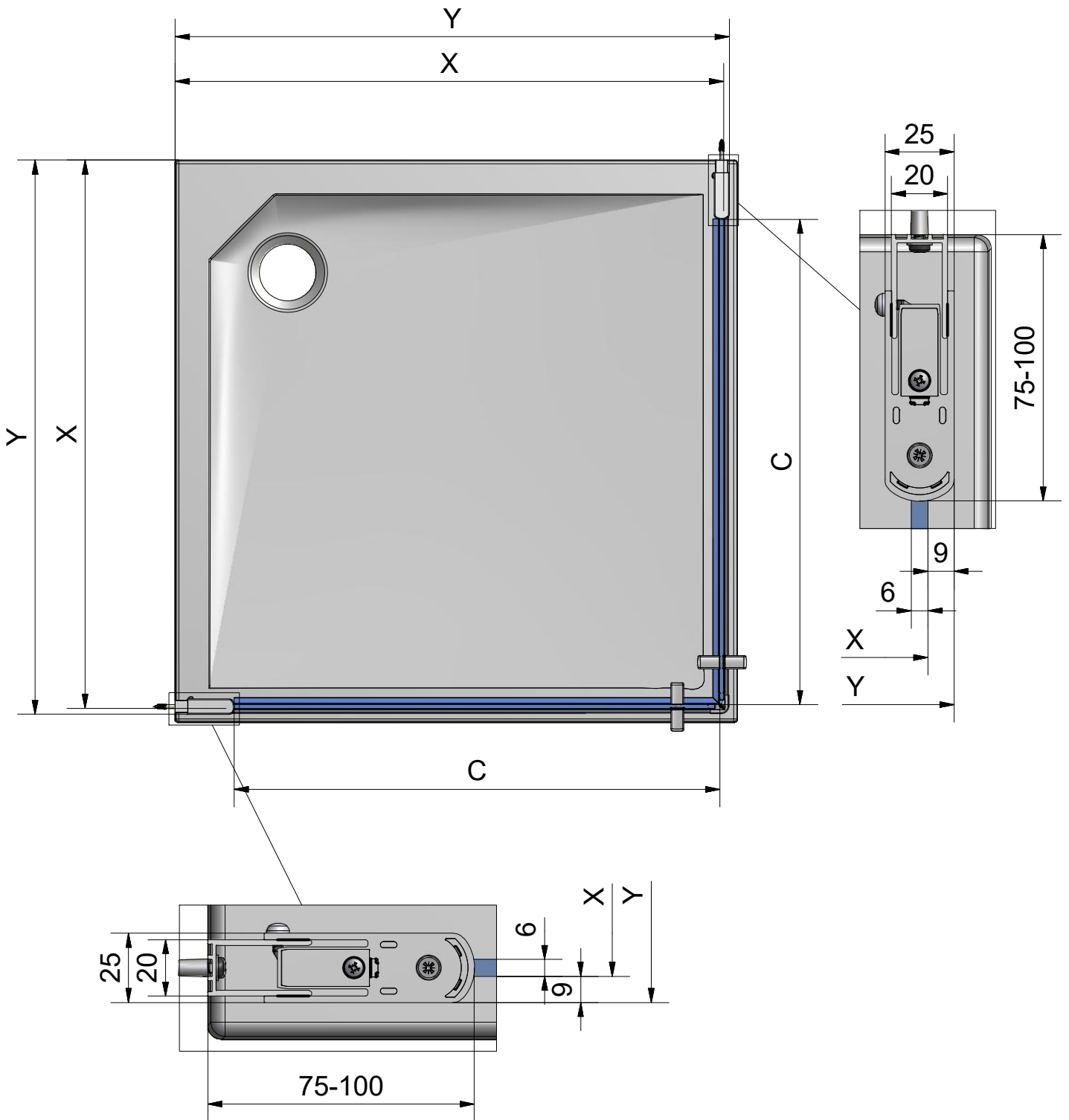
P6294 (VPE)
P6918 (NPE)



CI PIG

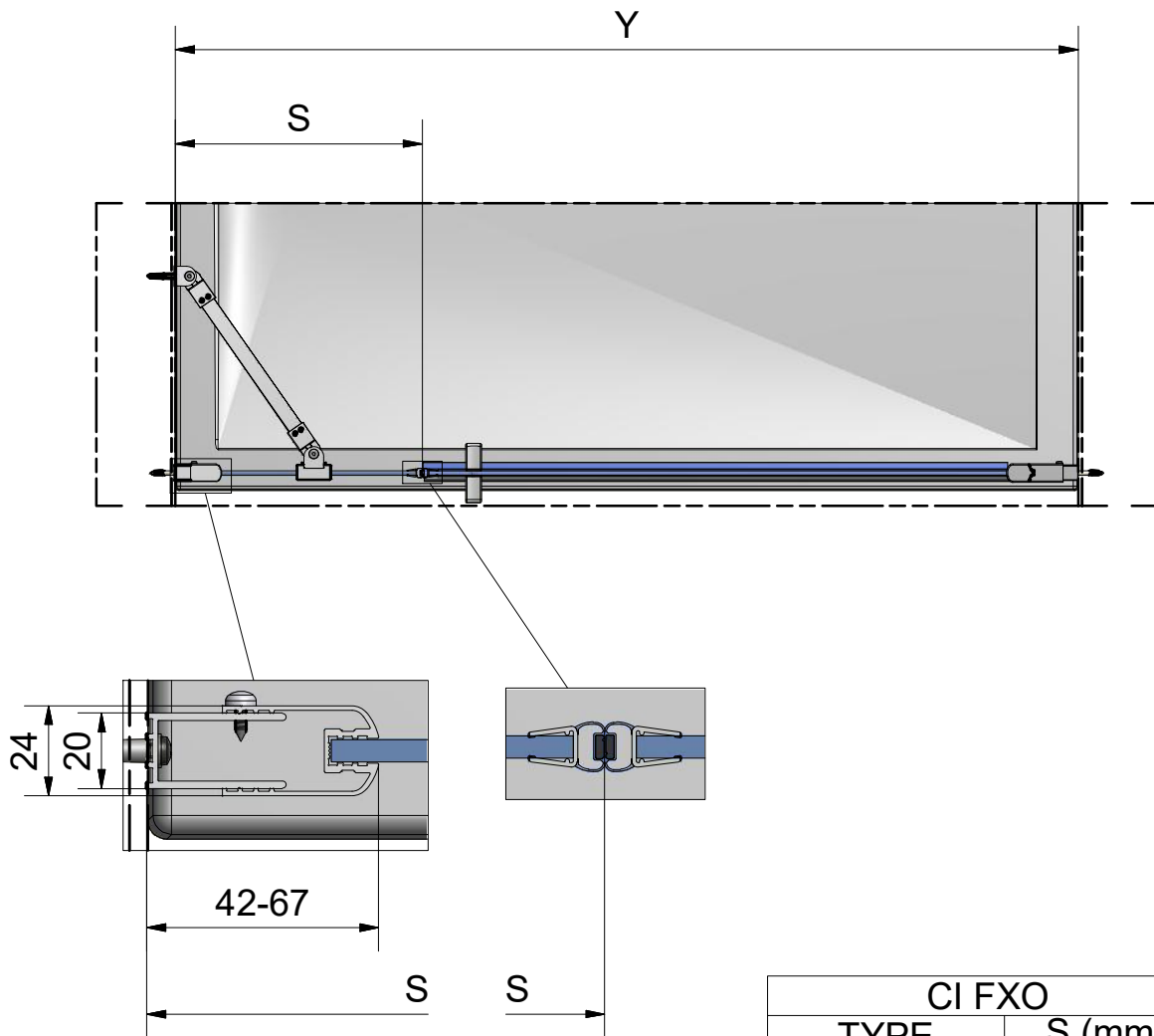


CI PIG + CI PIG



CI PIG + CI PIG			
TYPE	X (mm)	Y (mm)	C (mm)
750	708-733	717-742	625
800	758-783	767-792	675
900	858-883	867-892	775
1000	958-983	967-992	875

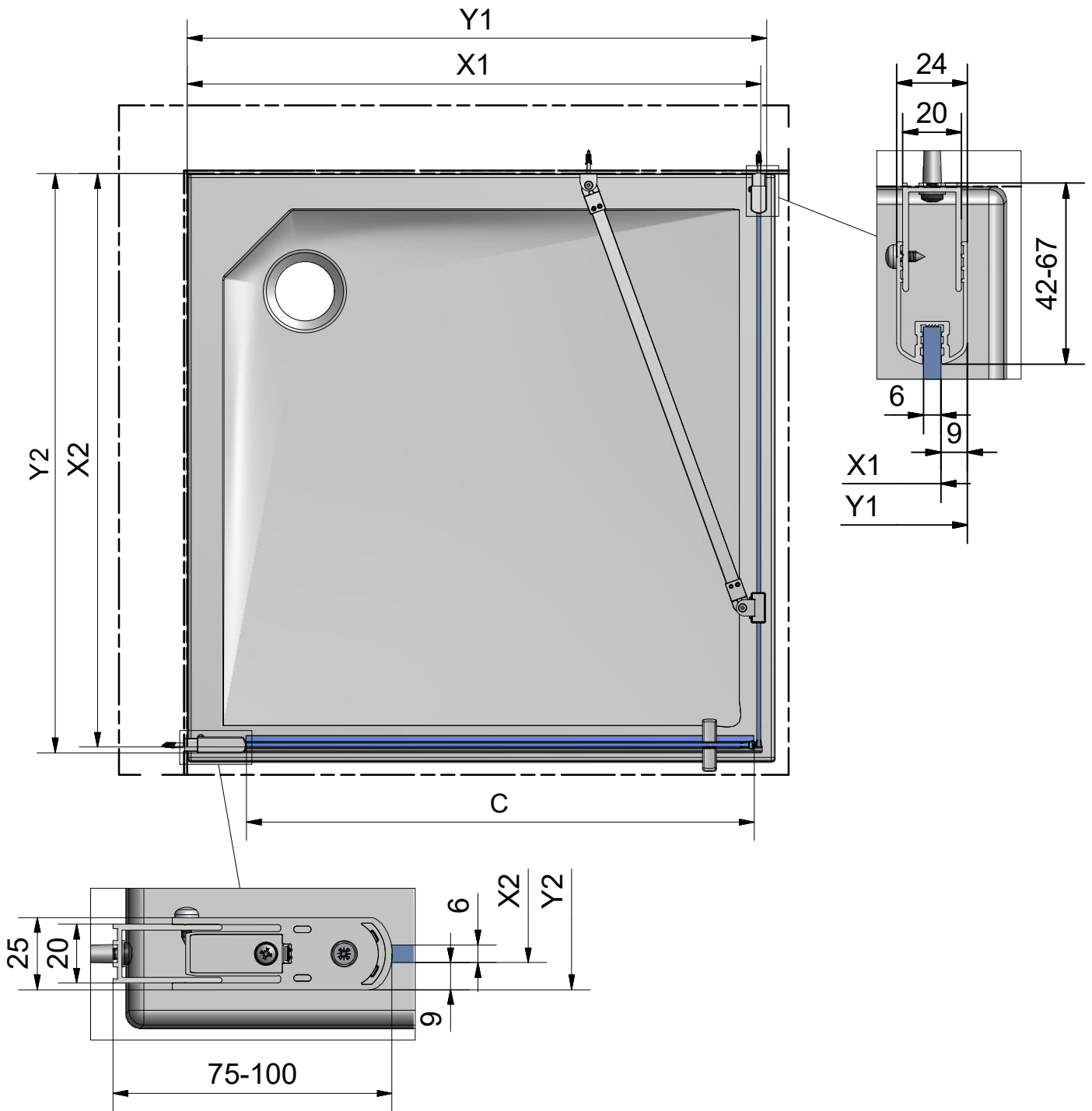
CI PIG + CI FXO



CI FXO	
TYPE	S (mm)
CI FXO 230	209-234
CI FXO 330	309-334
CI FXO 430	409-434
CI FXO 530	509-534
CI FXO 630	609-634

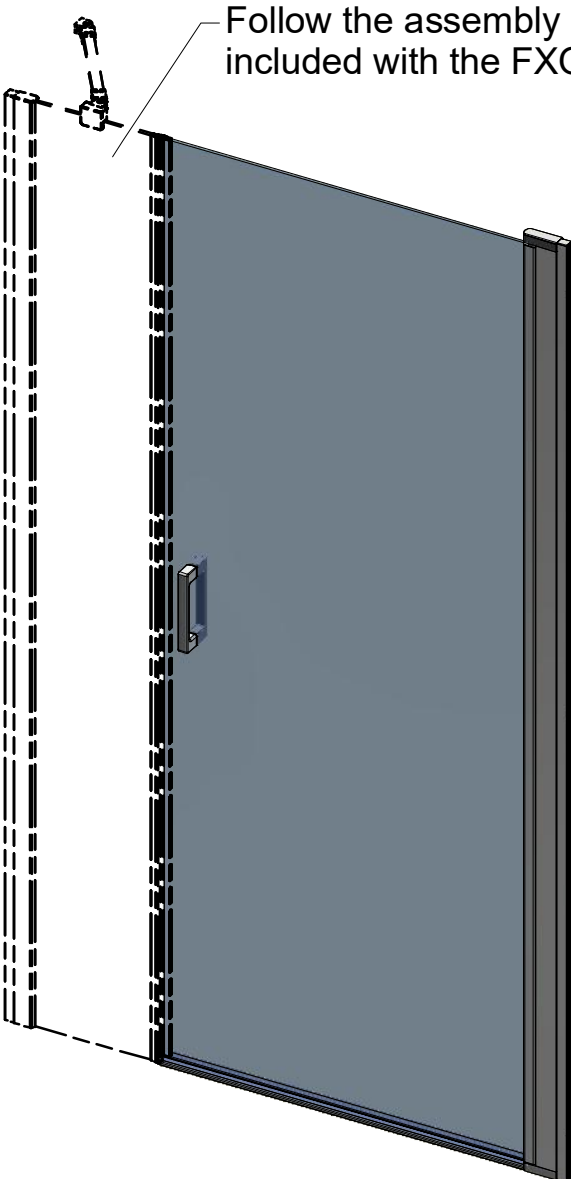
CI PIG + CI FXO					
TYPE	S(MIN-MAX)	Y(CI PIG 750)	Y(CI PIG 800)	Y(CI PIG 900)	Y(CI PIG 1000)
CI FXO 230	209-234	910-960	960-1010	1060-1110	1160-1210
CI FXO 330	309-334	1010-1060	1060-1110	1160-1210	1260-1310
CI FXO 430	409-434	1010-1160	1160-1210	1260-1310	1360-1410
CI FXO 530	509-534	1210-1260	1260-1310	1360-1410	1460-1510
CI FXO 630	609-634	1310-1360	1360-1410	1460-1510	1560-1610

CI PIG + CI FXG

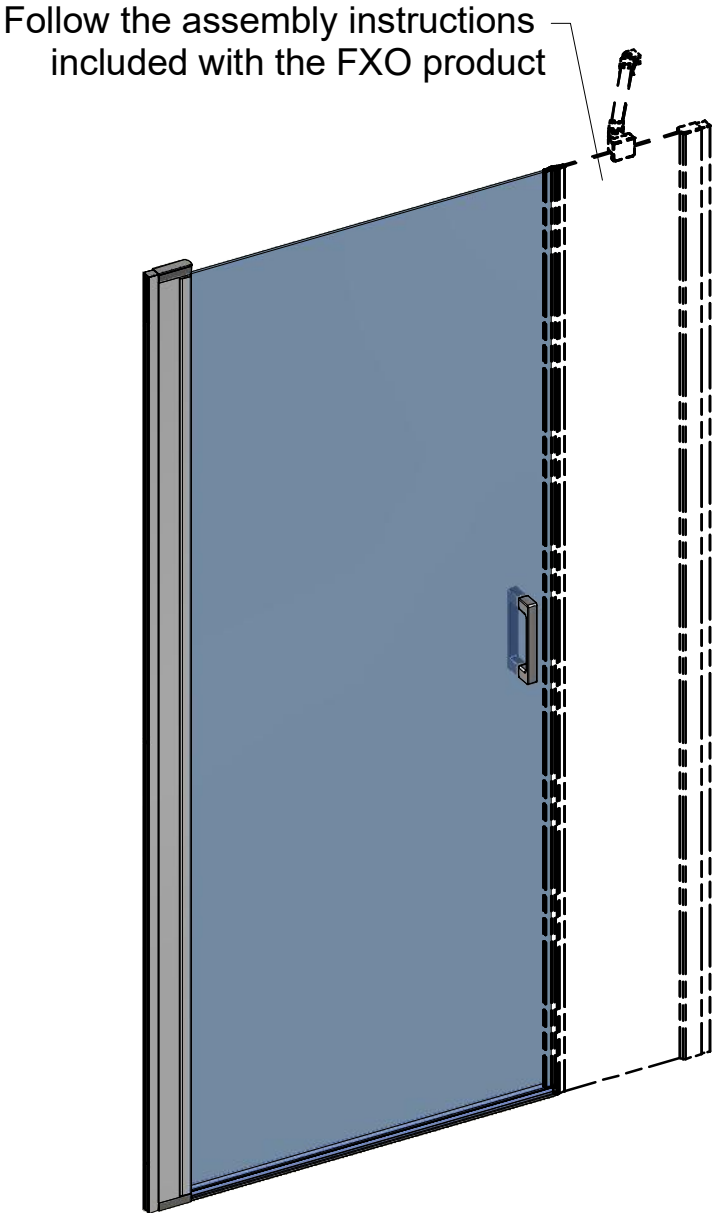


CI PIG + CI FXG					
TYPE	X1 (mm)	Y1 (mm)	C (mm)	X2 (mm)	Y2 (mm)
750	712-737	721-746	627	709-734	718-743
800	762-787	771-796	677	759-784	768-793
900	862-887	871-896	777	859-884	868-893
910	-	-	-	883-908	892-917
1000	962-987	971-996	877	959-984	968-993
1100	-	-	-	1059-1084	1068-1093
1200	-	-	-	1159-1184	1168-1193

CI PIG + CI FXO



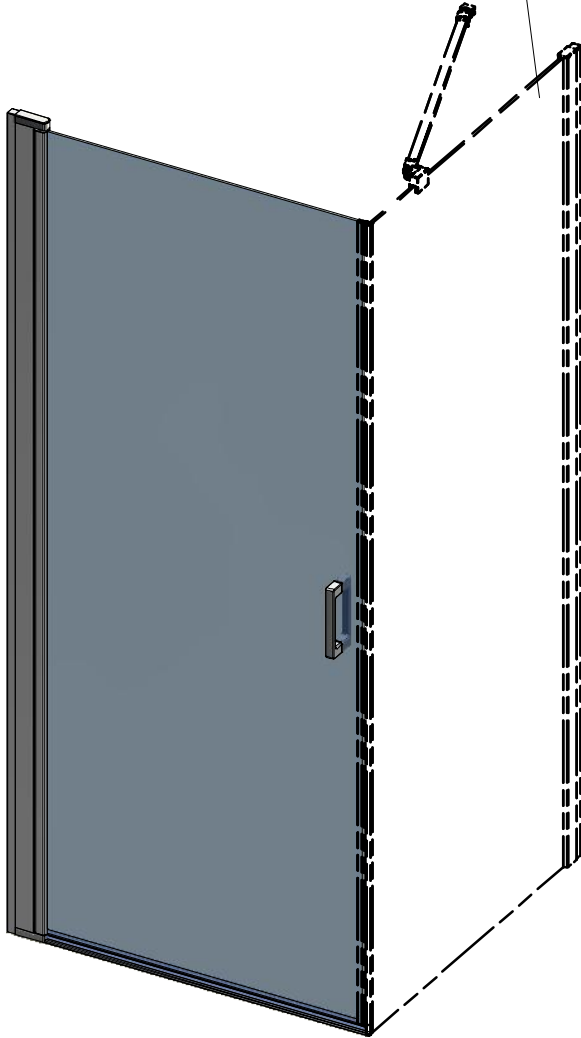
**LEFT Installation
CI FXO + CI PIG**



**RIGHT Installation
CI FXO + CI PIG**

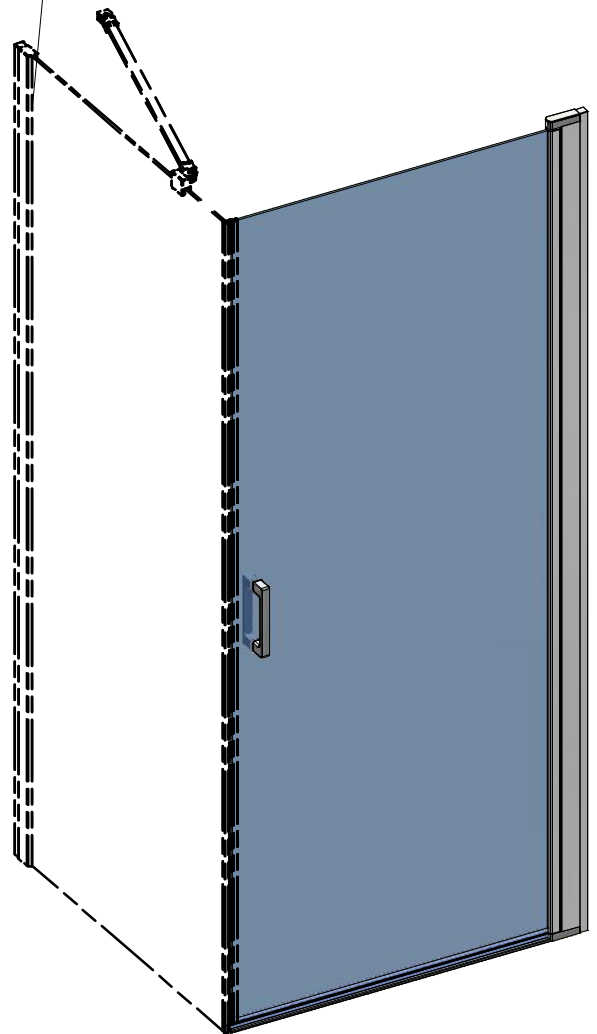
CI PIG + CI FXG

Follow the assembly instructions included with the FXG product



**LEFT Installation
CI FXG + CI PIG**

Follow the assembly instructions included with the FXG product

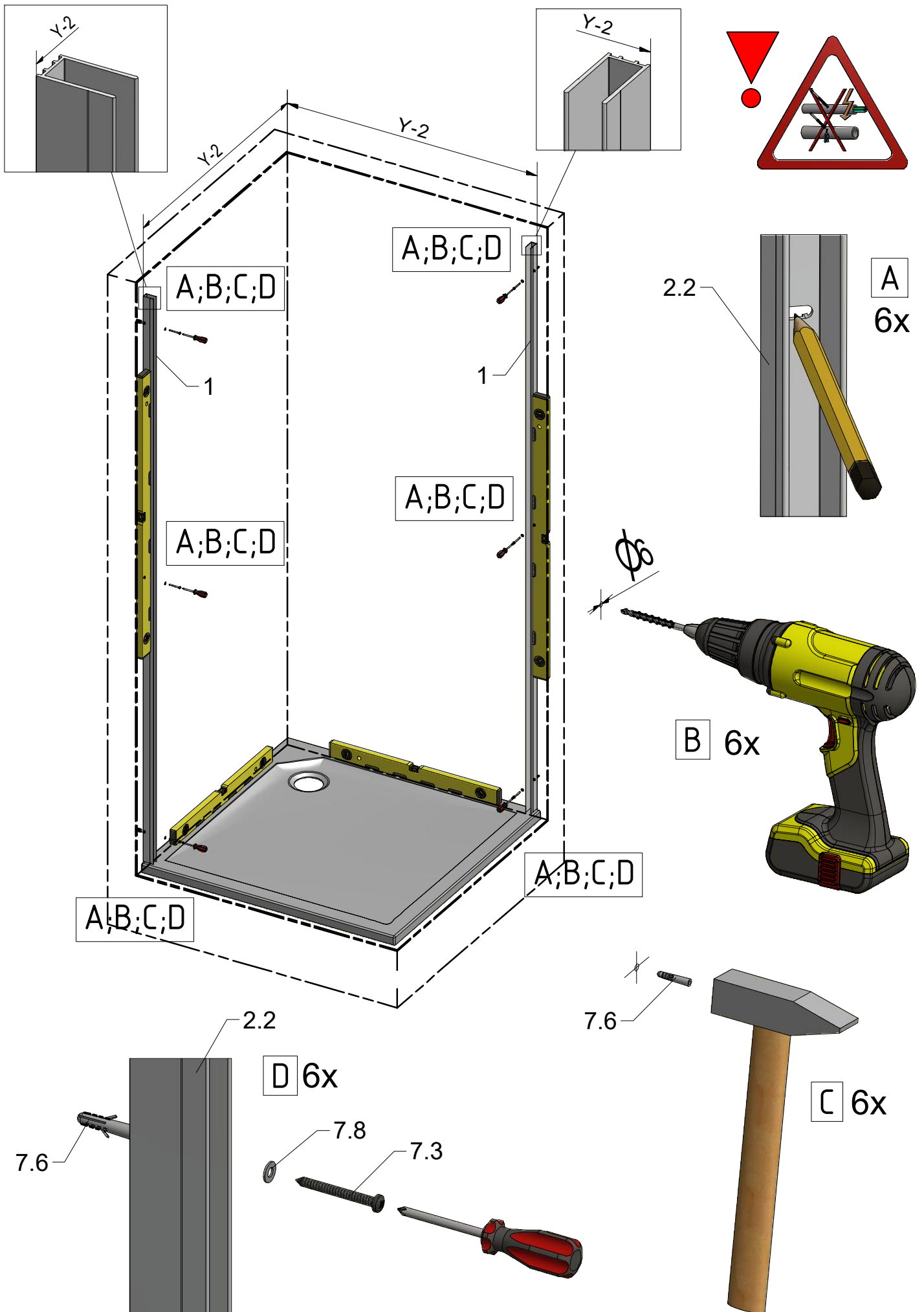


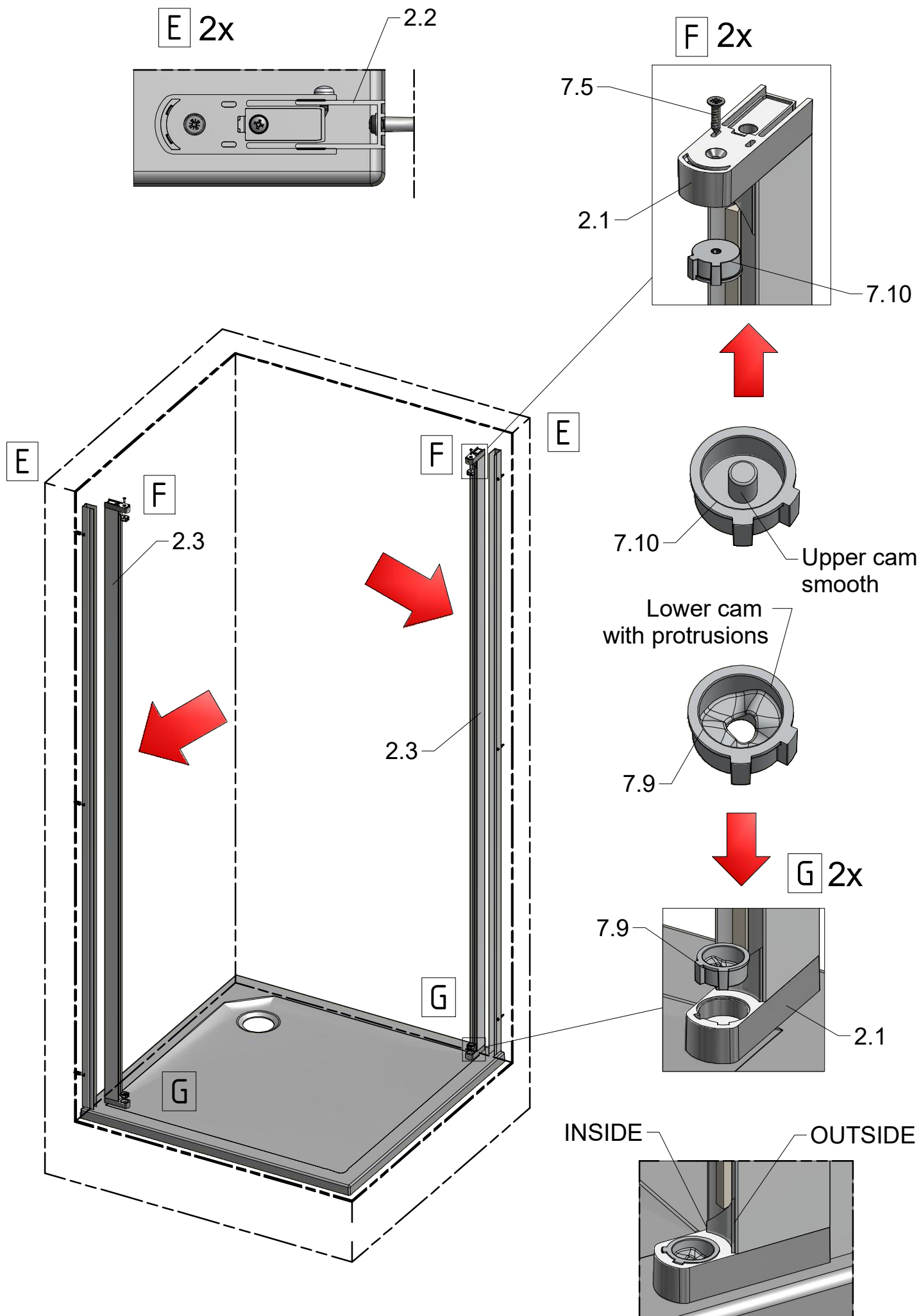
**RIGHT Installation
CI FXG + CI PIG**

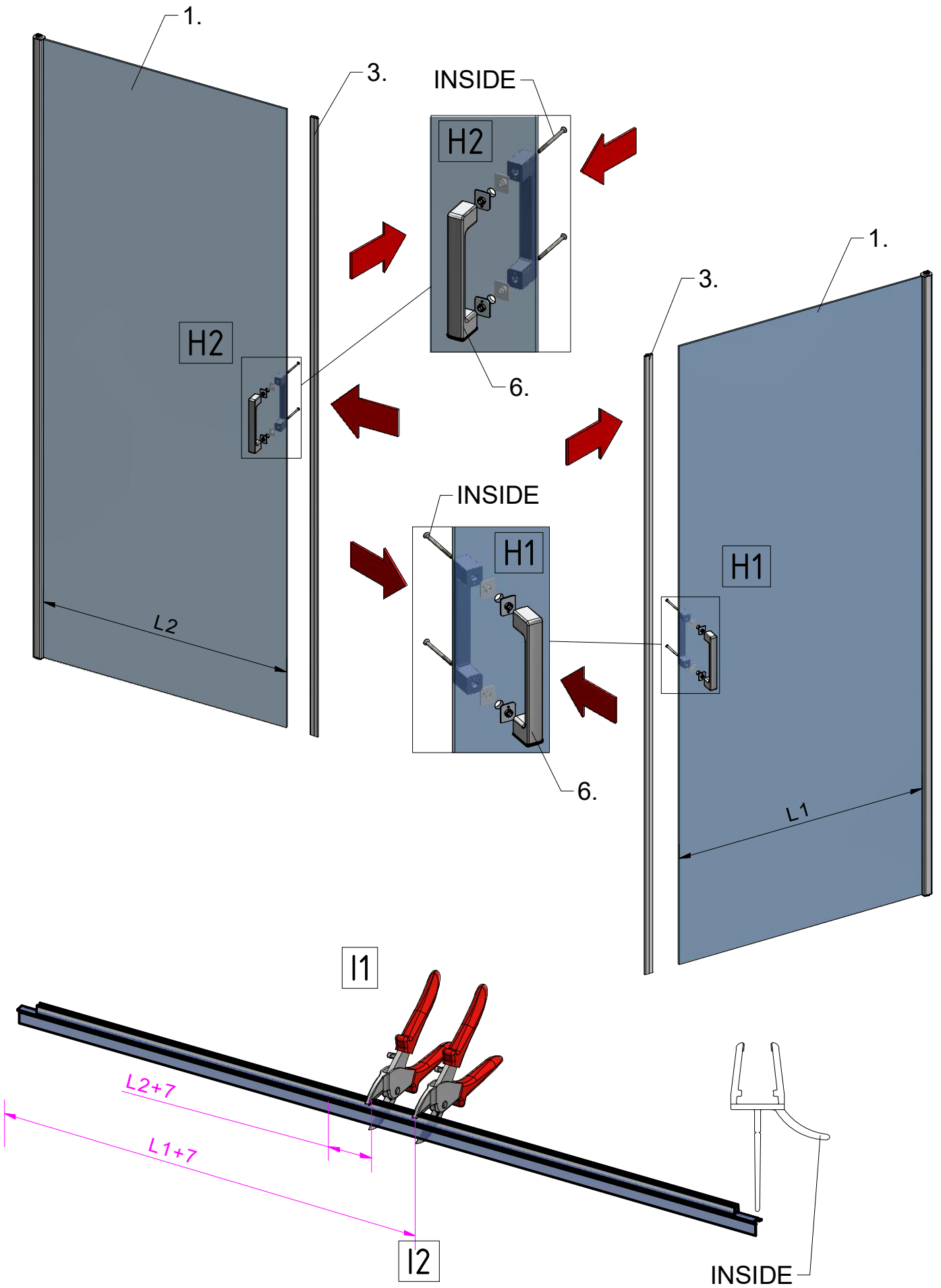
The following installation steps in the manual are intended for mounting a corner in a CI PIG + CI PIG configuration

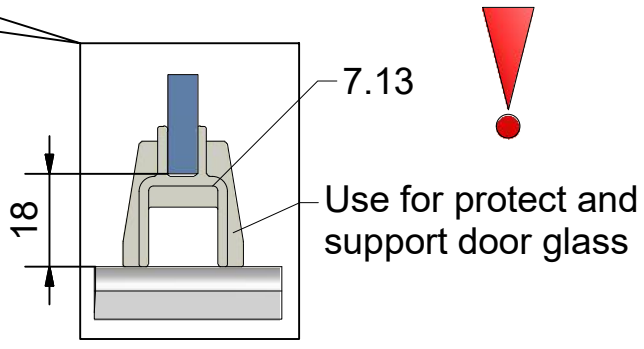
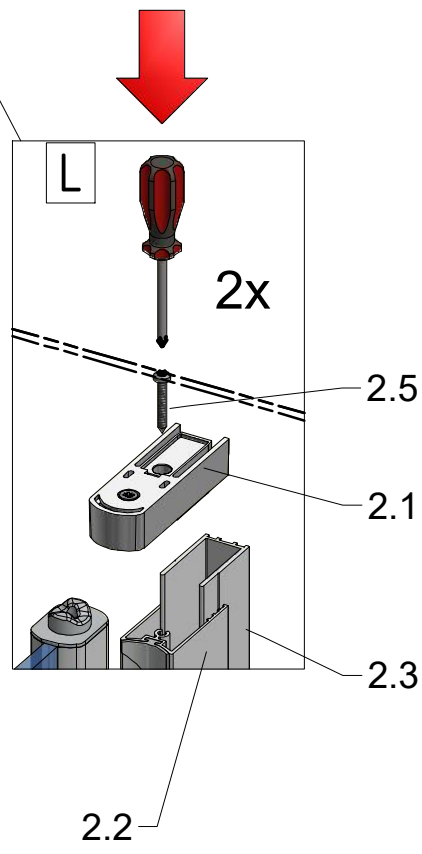
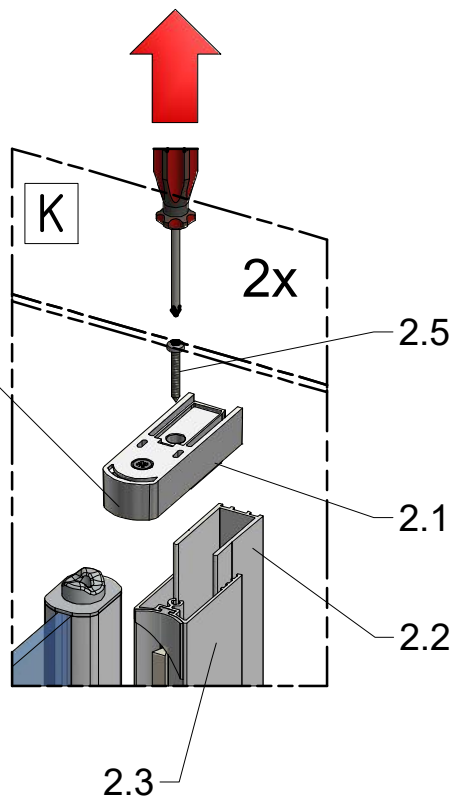
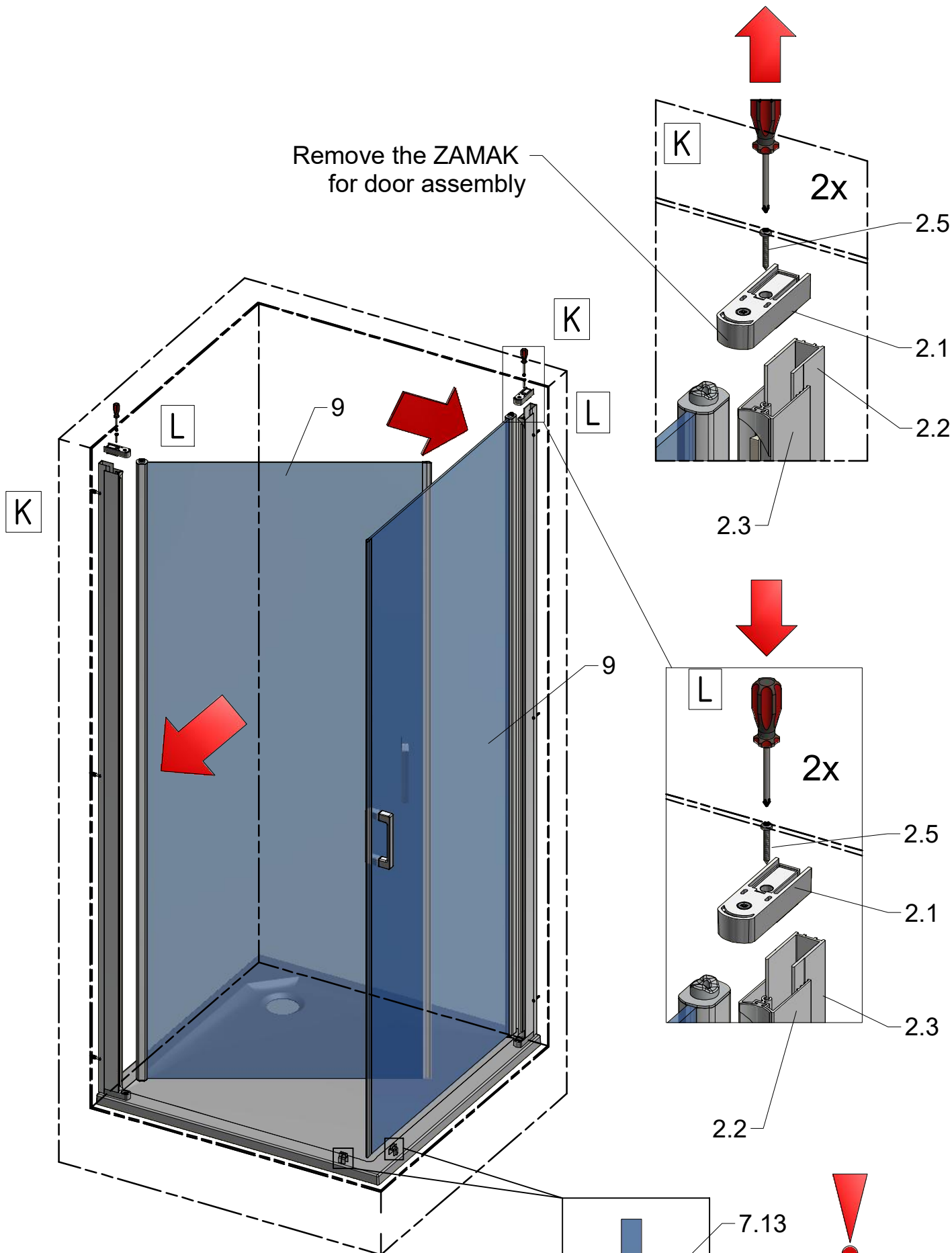
(To mount the CI FXG / CI FXO - follow the assembly steps for the selected left or right half of the CI PIG)

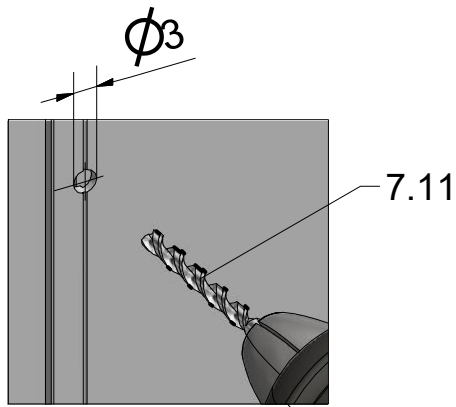
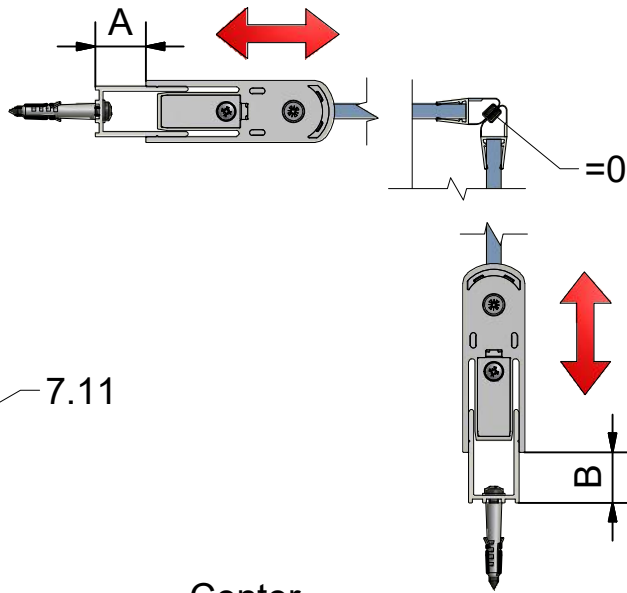












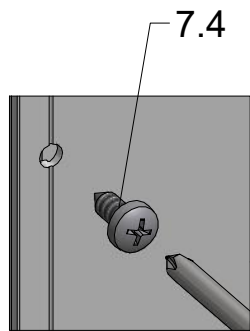
M 6x

Center
A=B

Center
A=B

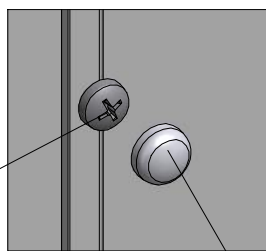
M;N;0

M;N;0



N 6x

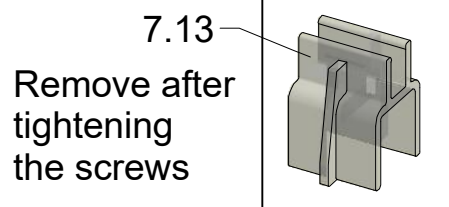
M;N;0



O 6x

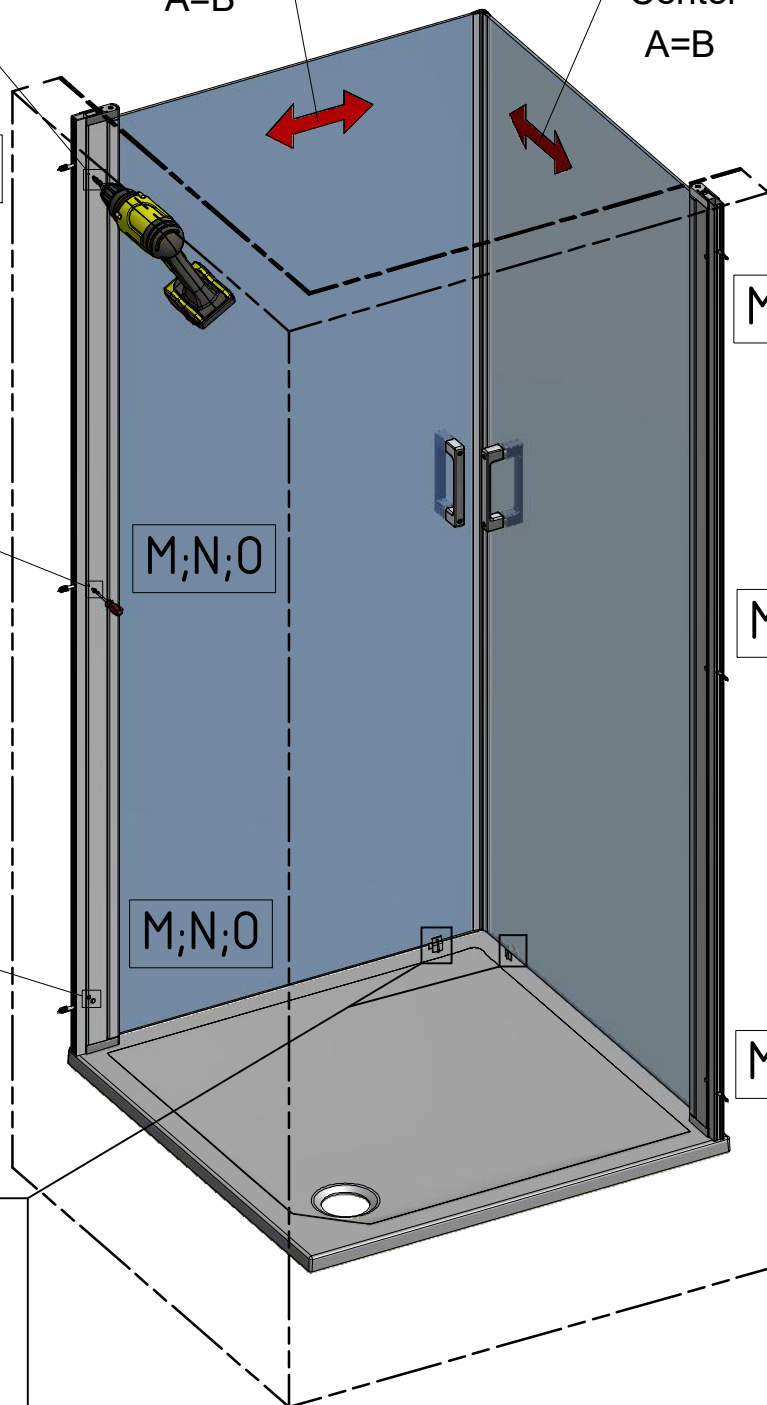
7.7

M;N;0

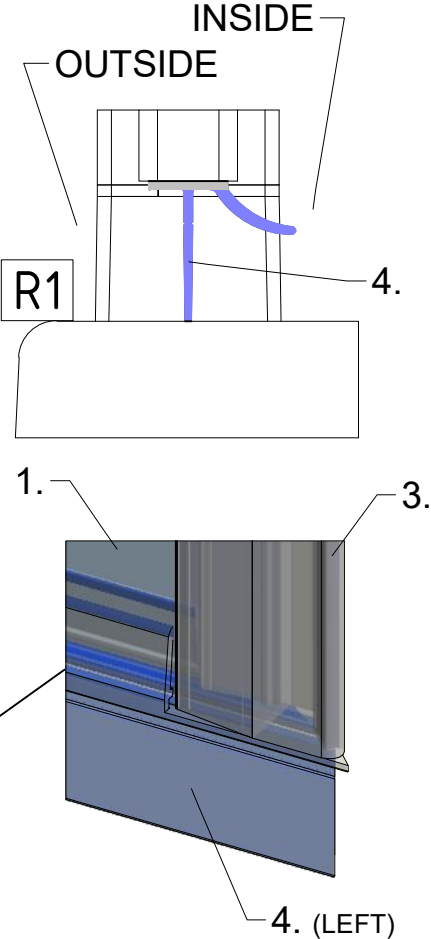
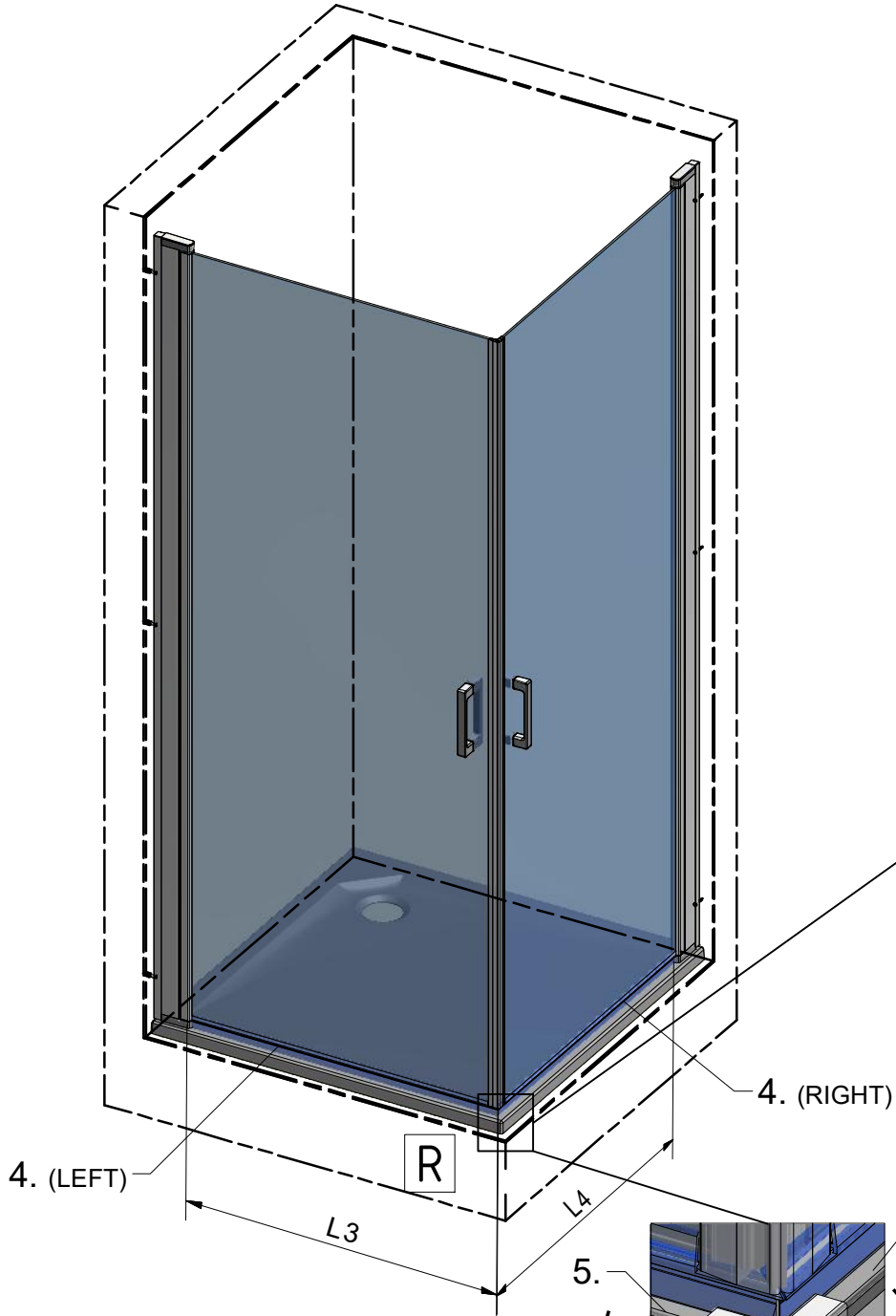


7.13

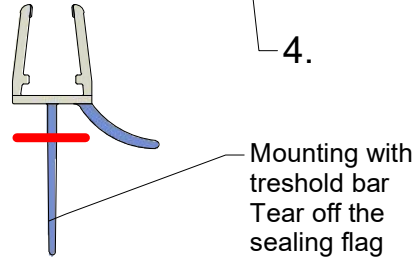
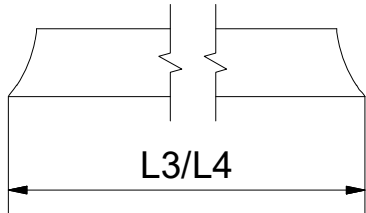
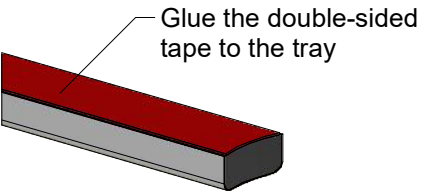
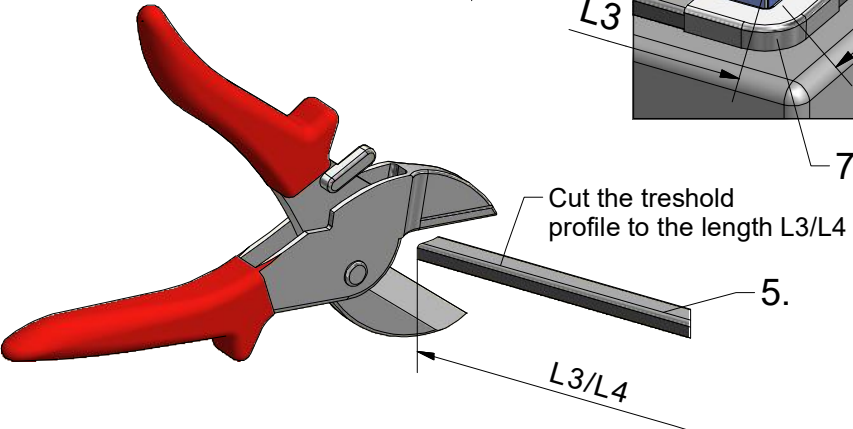
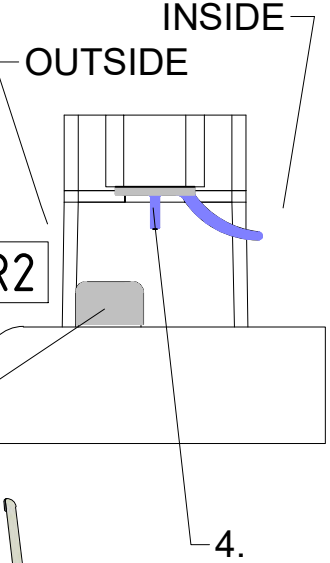
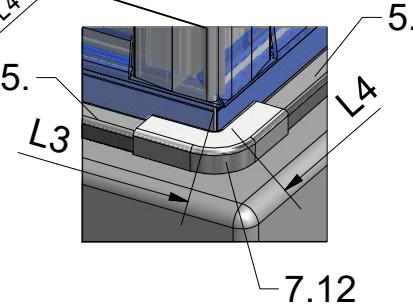
Remove after
tightening
the screws



Mounting without threshold bar

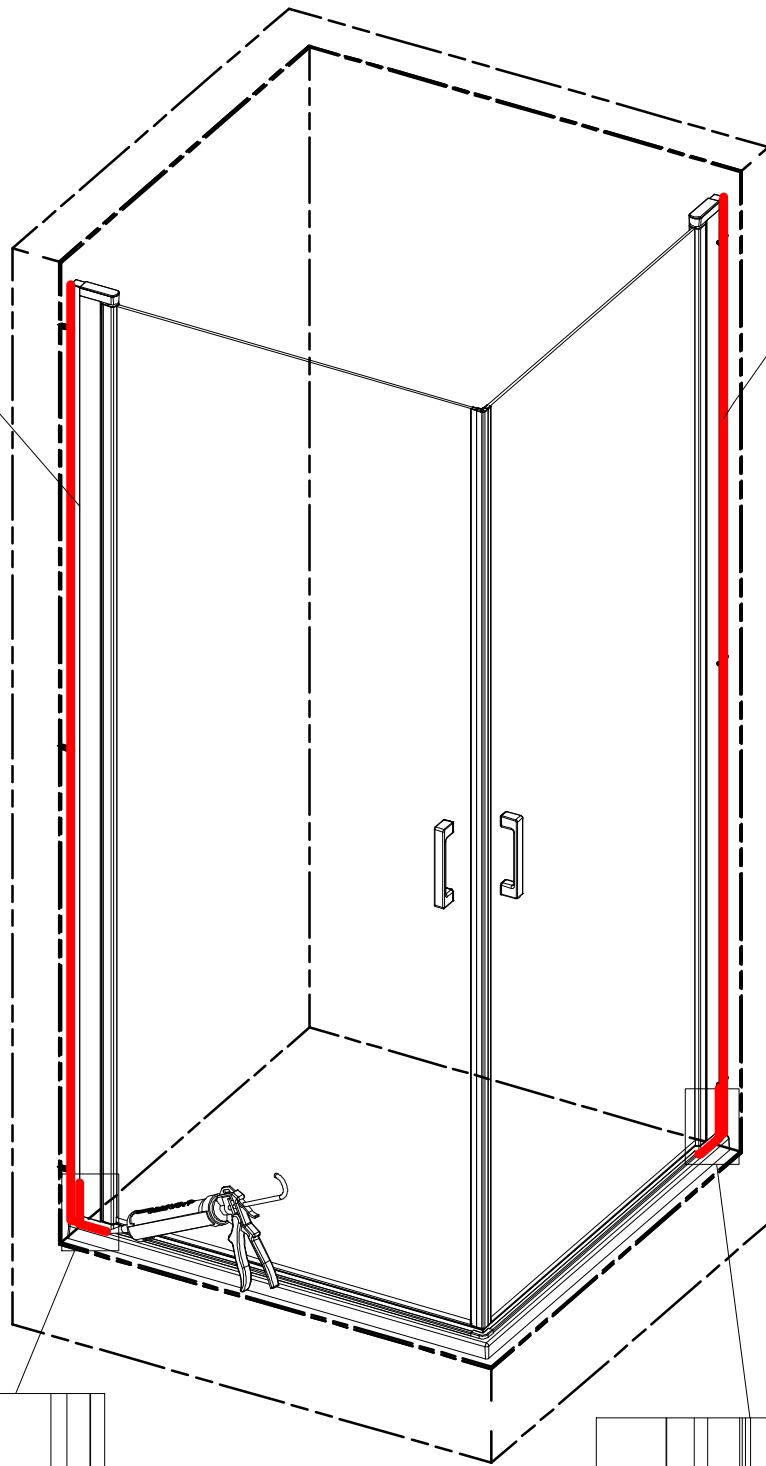


Mounting with threshold bar

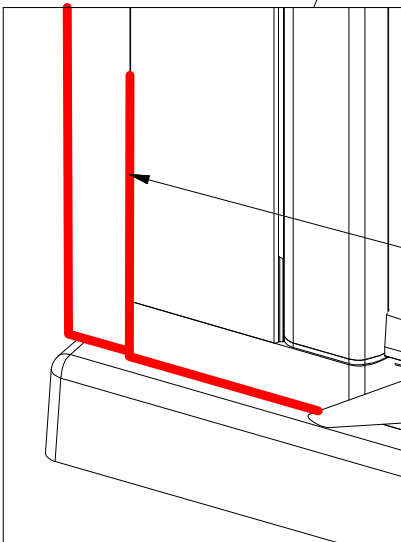




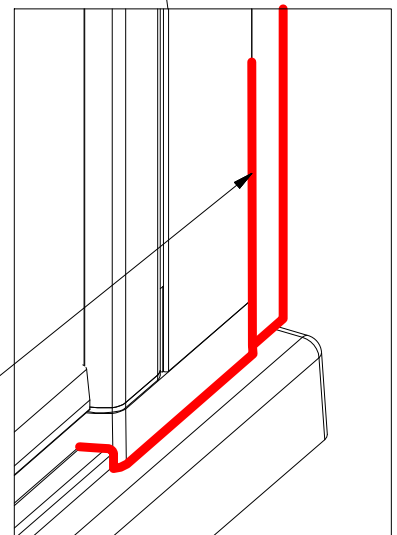
SILICONE



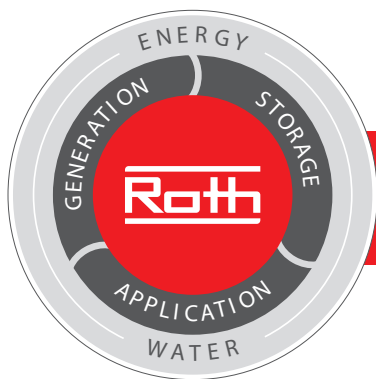
SILICONE



SILICONE
MIN 100mm



SILICONE
MIN 100mm



Roth Energy and Sanitary Systems

Generation

- Solar systems <
- Heat pump systems <

Storage

- Storage systems for Domestic & heating water <
- Combustibles and biofuels <
- Rainwater and waste water <

Application

- > Radiant heating and cooling systems
- > Pipe installation systems
- > Shower system

Roth

■ Deutschland

ROTH WERKE GMBH
Am Seerain 2
35232 Dautphetal
Telefon: 06466/922-0
Telefax: 06466/922-100
E-Mail: service@roth-werke.de
www.roth-werke.de

■ Czech Republic

Roth Czech s.r.o.
Třebořov 160
569 33 Třebořov
Tel.: +420 461 353 611
E-Mail: objednavky@roth-czech.cz
www.roth-czech.cz

■ France

ROTH FRANCE
CS 20090
78, rue Ampère - ZI
77465 Lagny sur Marne Cedex
Tél.: +420 461 353 611
www.roth-france.fr