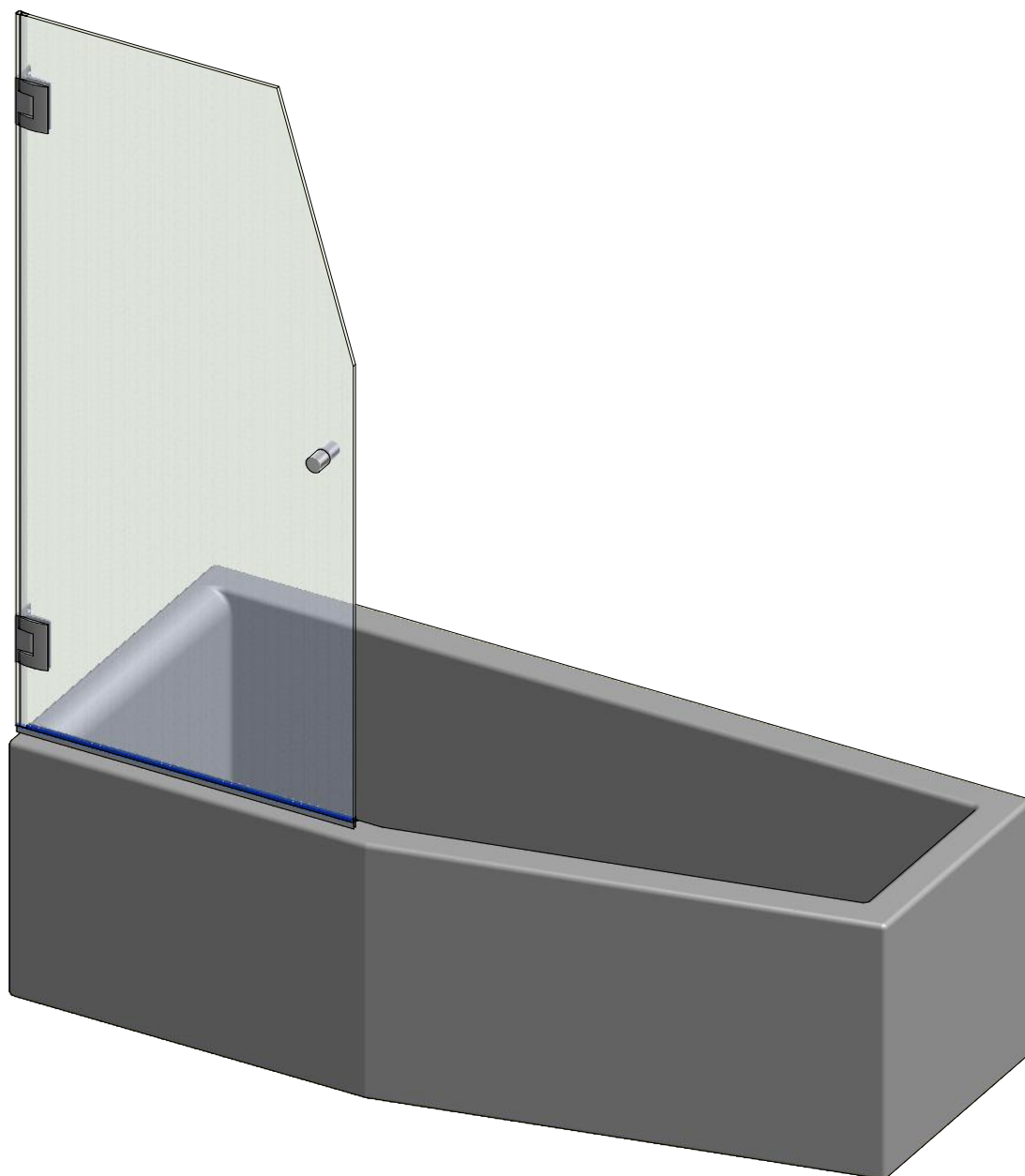
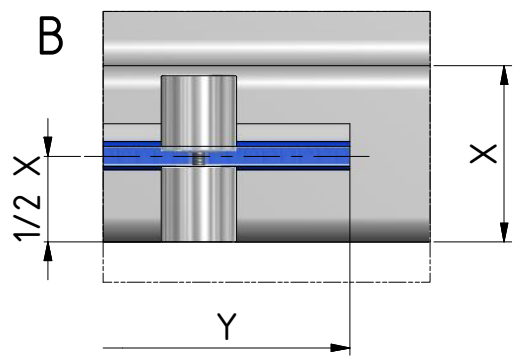
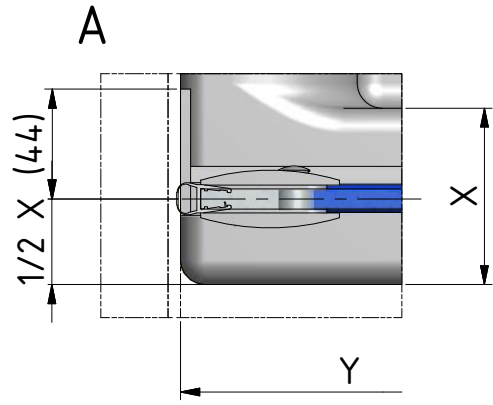
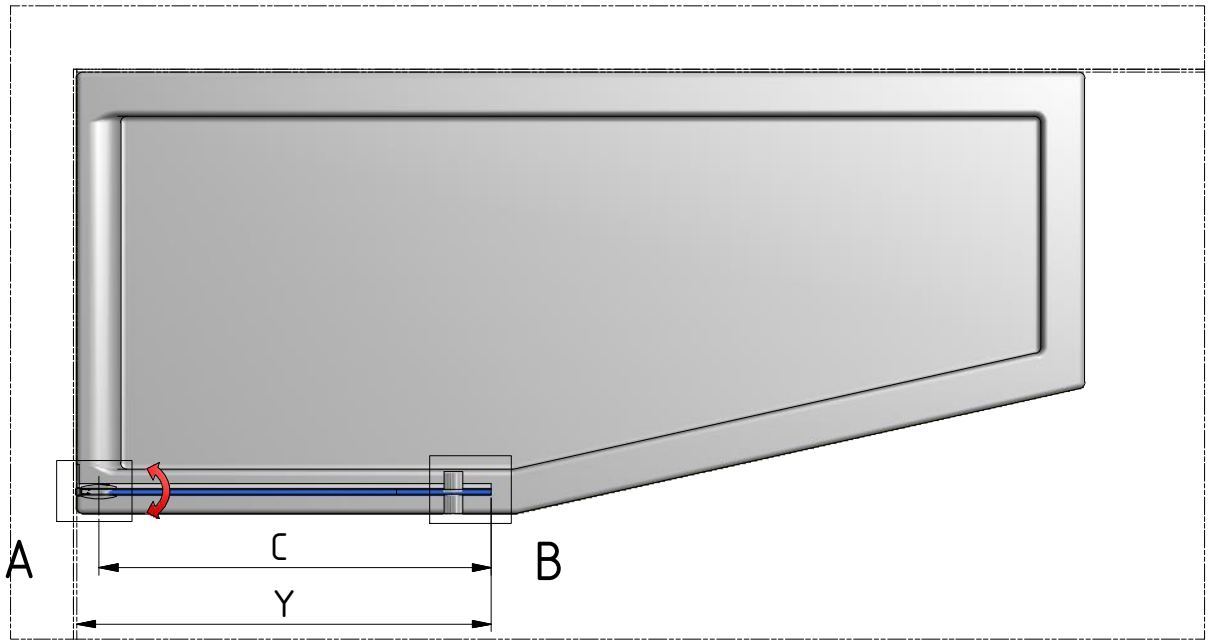


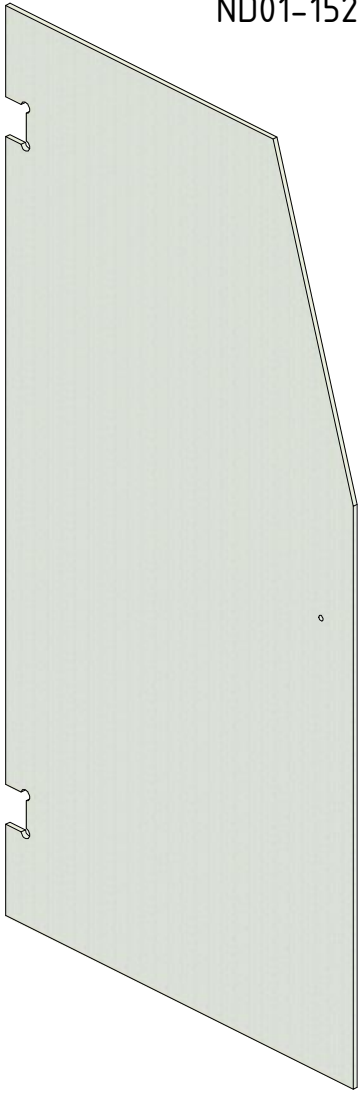
# SCREEN MINI



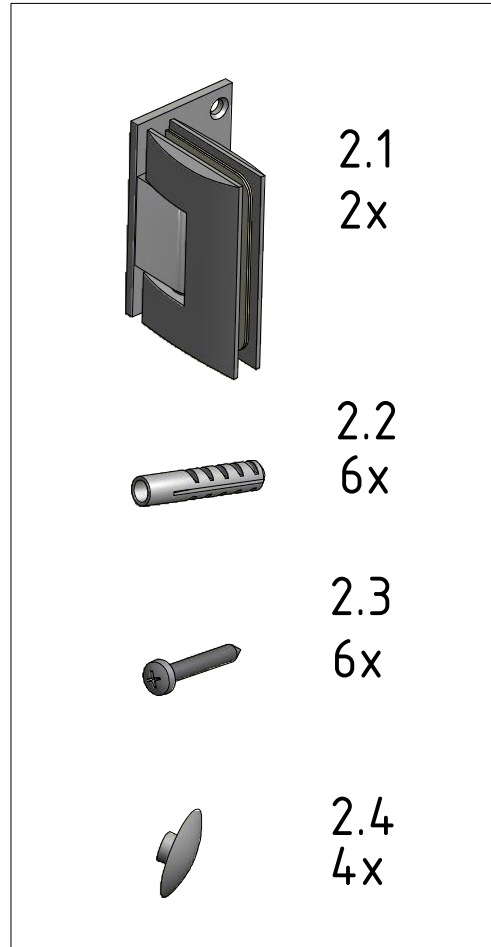


TYPE	Y (mm)	C (mm)
SCREEN MINI	660	635

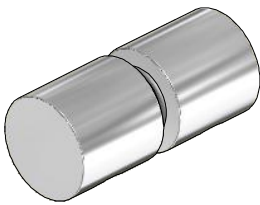
1. 1x  
ND01-1521



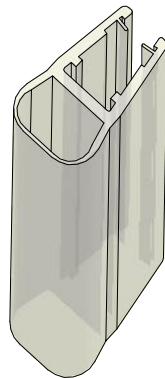
2. 2x  
M6721



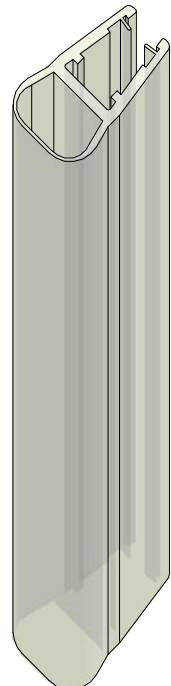
3. 1x  
M4650



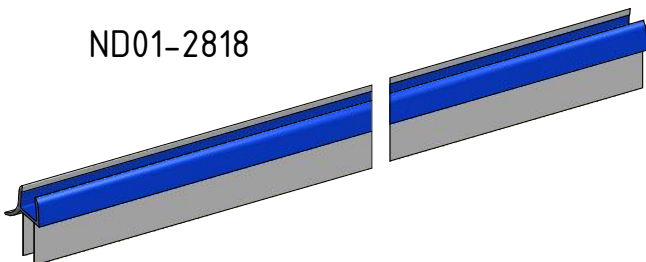
4. 2x  
ND01-3335  
L=125mm



5. 1x  
ND01-3336  
L=960mm



6. 1x  
ND01-2818



**!** Next step in instructions is for left installation  
(for right installation - proceed in a mirror image)

