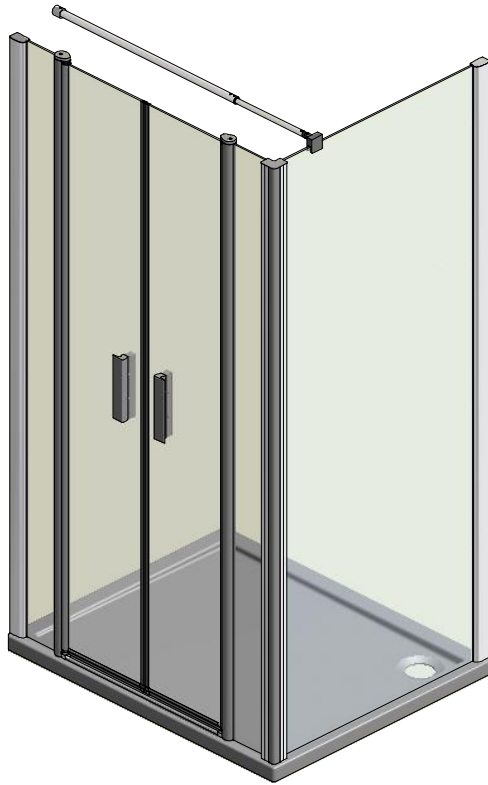


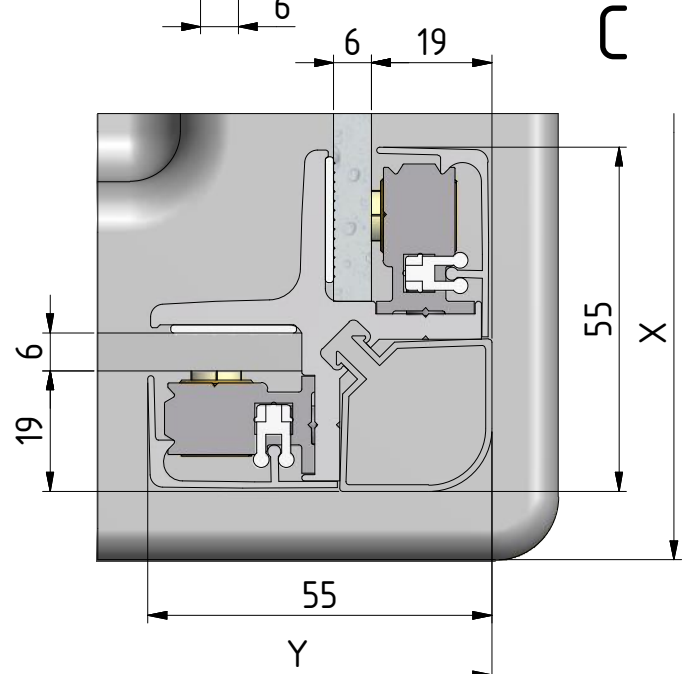
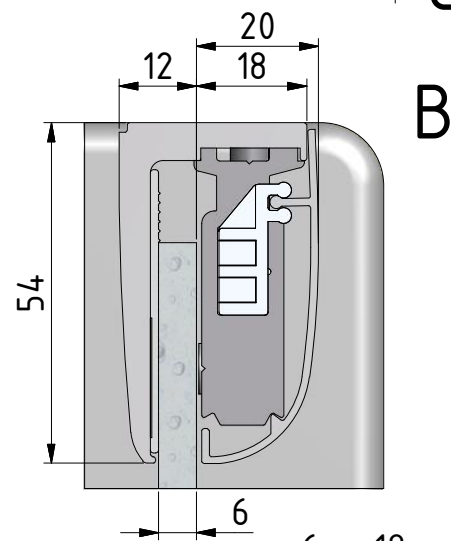
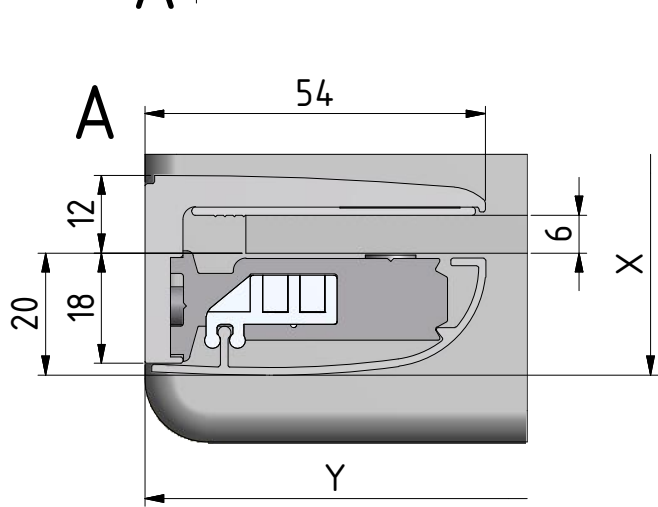
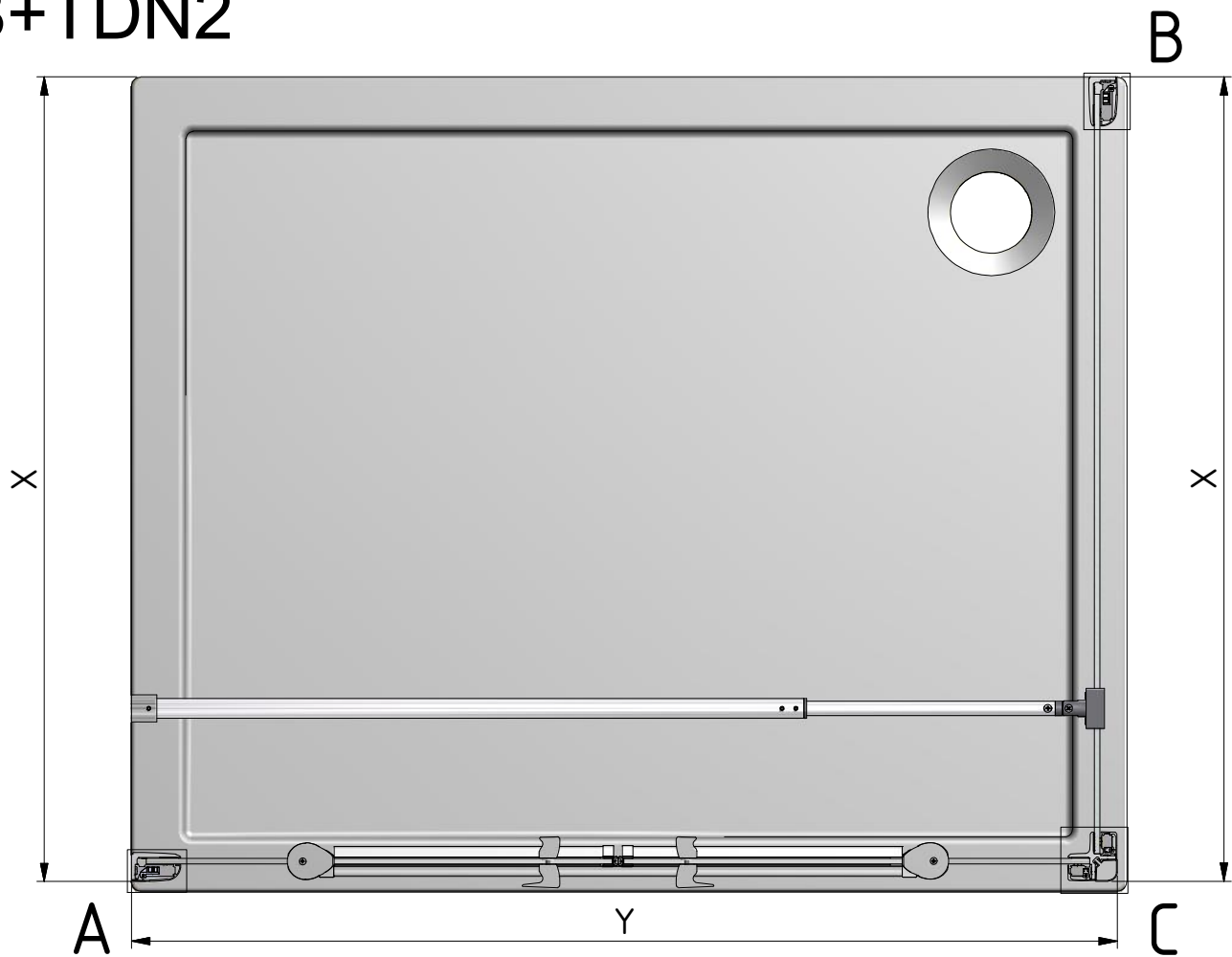
UB+TDN2



UB+GDN2

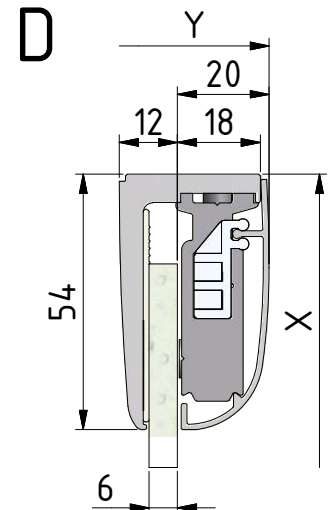
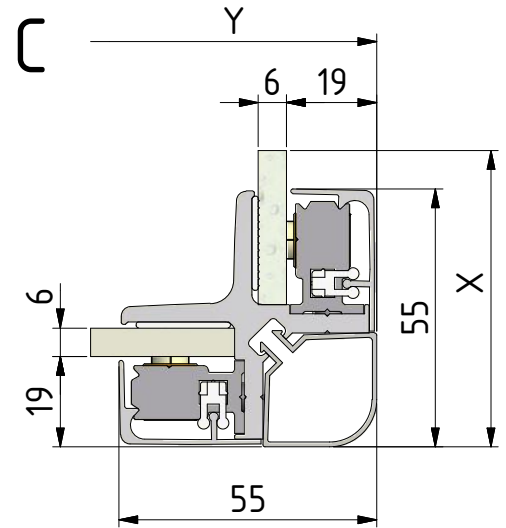
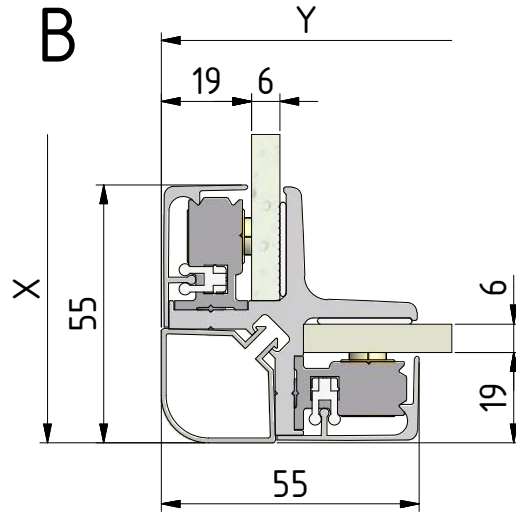
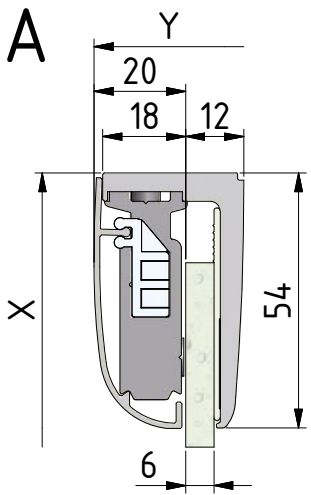
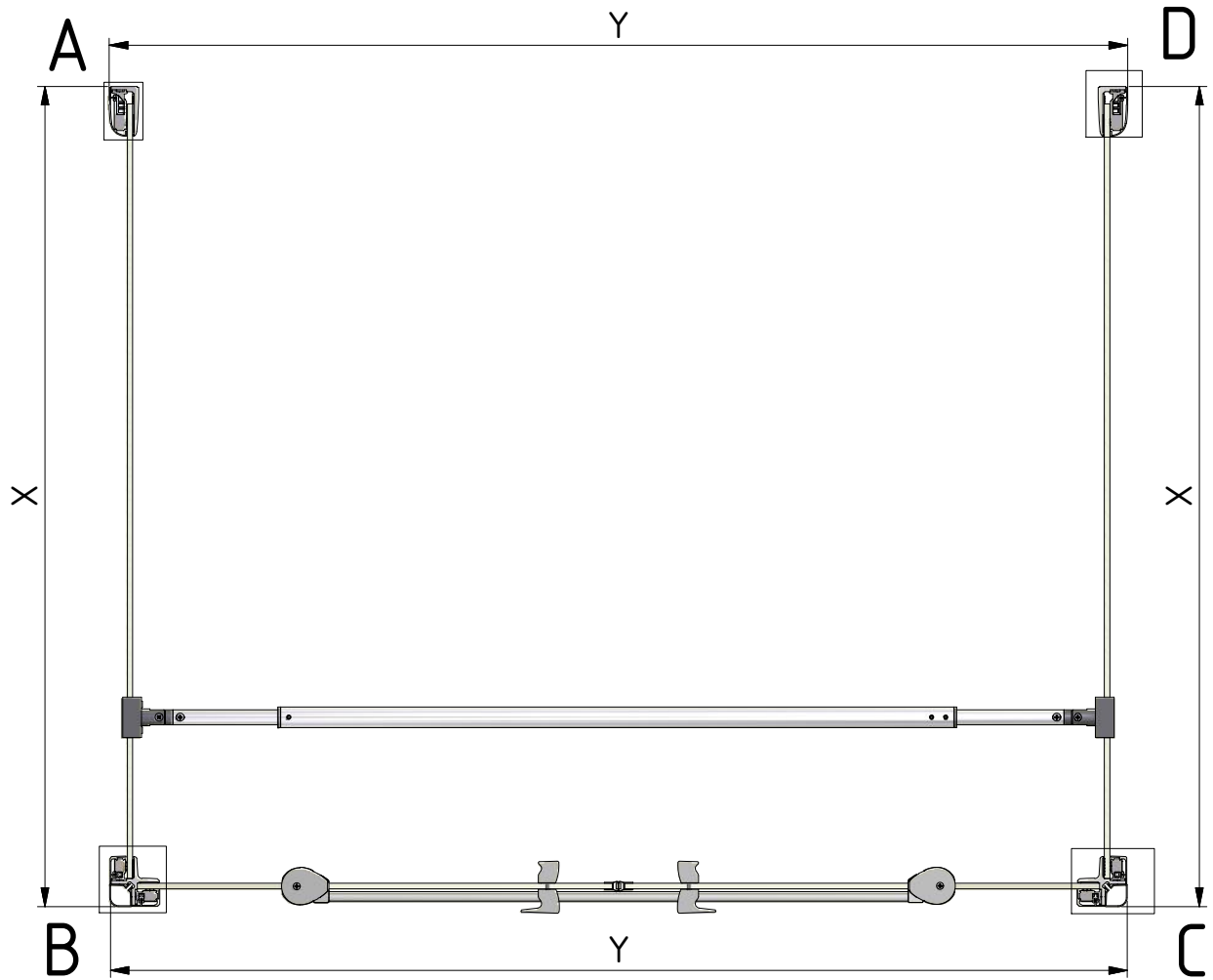


UB+TDN2



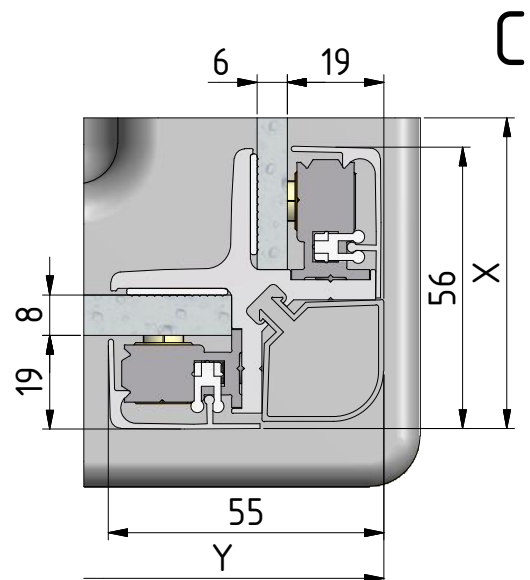
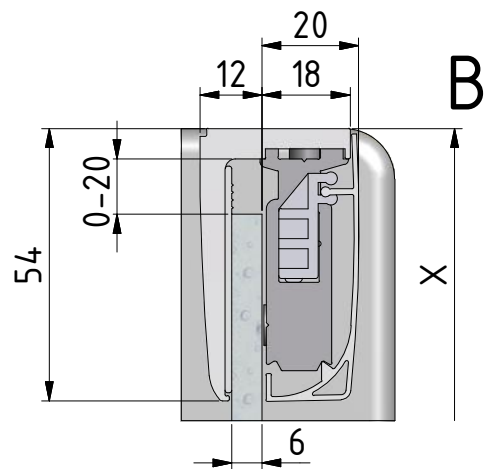
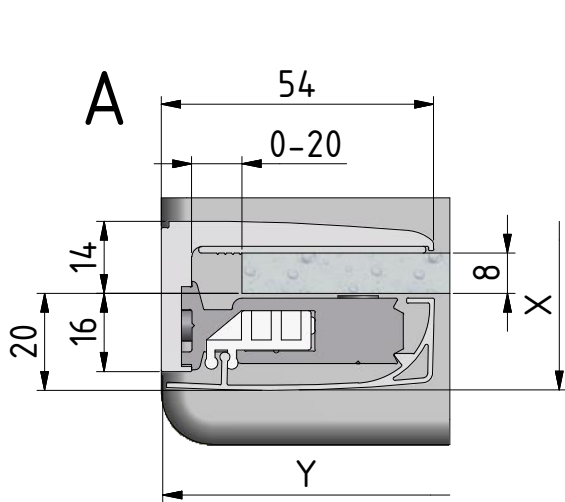
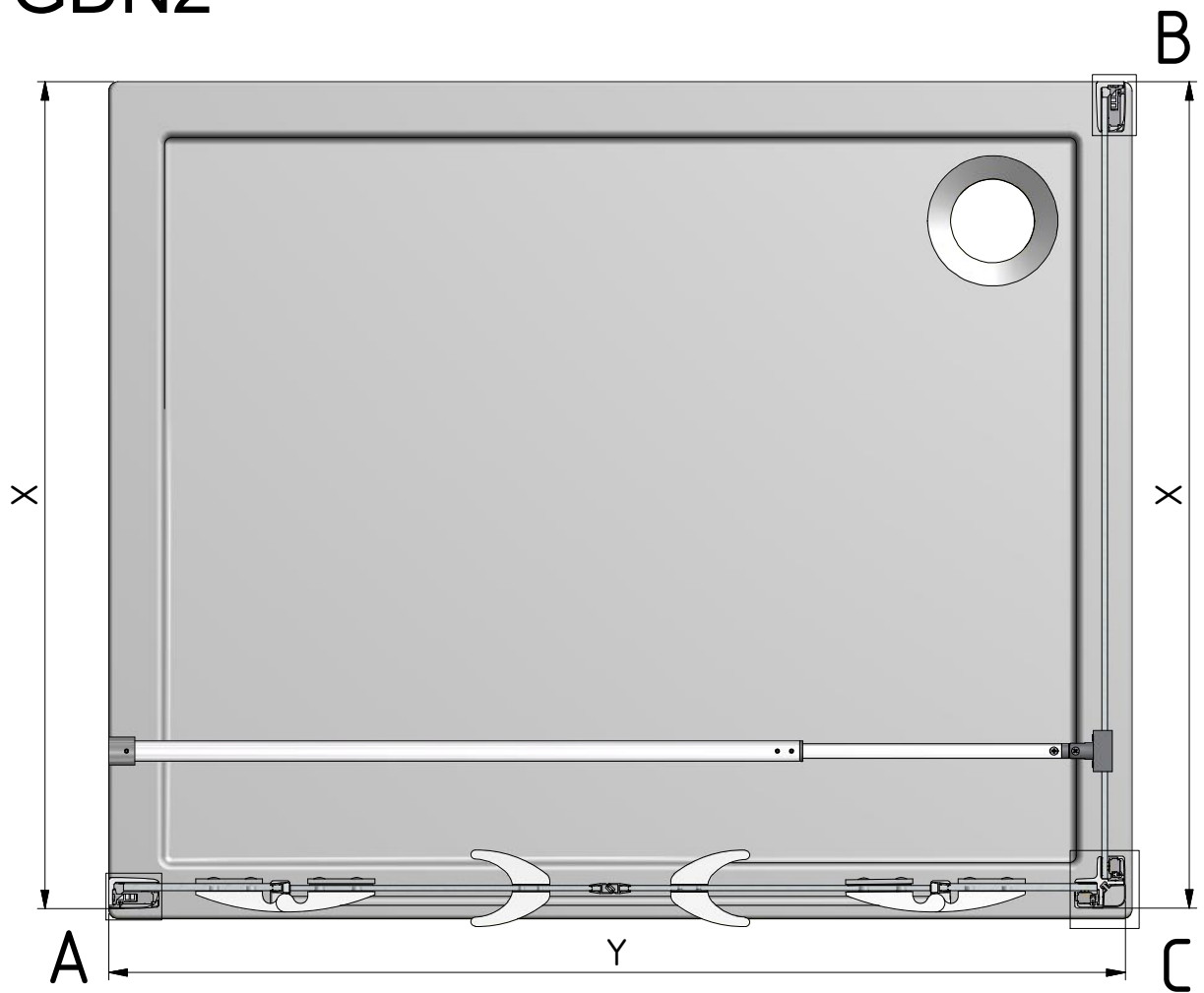
| | X | Y |
|------|---------|-----------|
| 800 | 780-795 | - |
| 900 | 880-895 | - |
| 1000 | 980-995 | - |
| 1100 | - | 1080-1110 |
| 1200 | - | 1180-1210 |
| 1300 | - | 1280-1310 |
| 1400 | - | 1380-1410 |
| 1500 | - | 1480-1510 |

UB+TDN2+UB



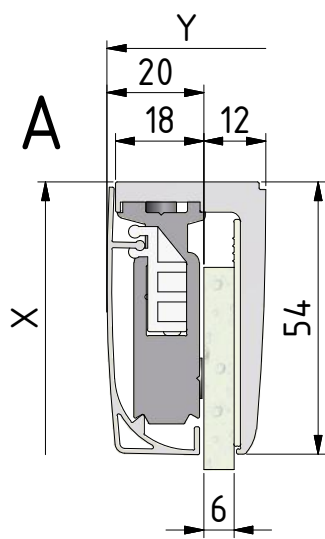
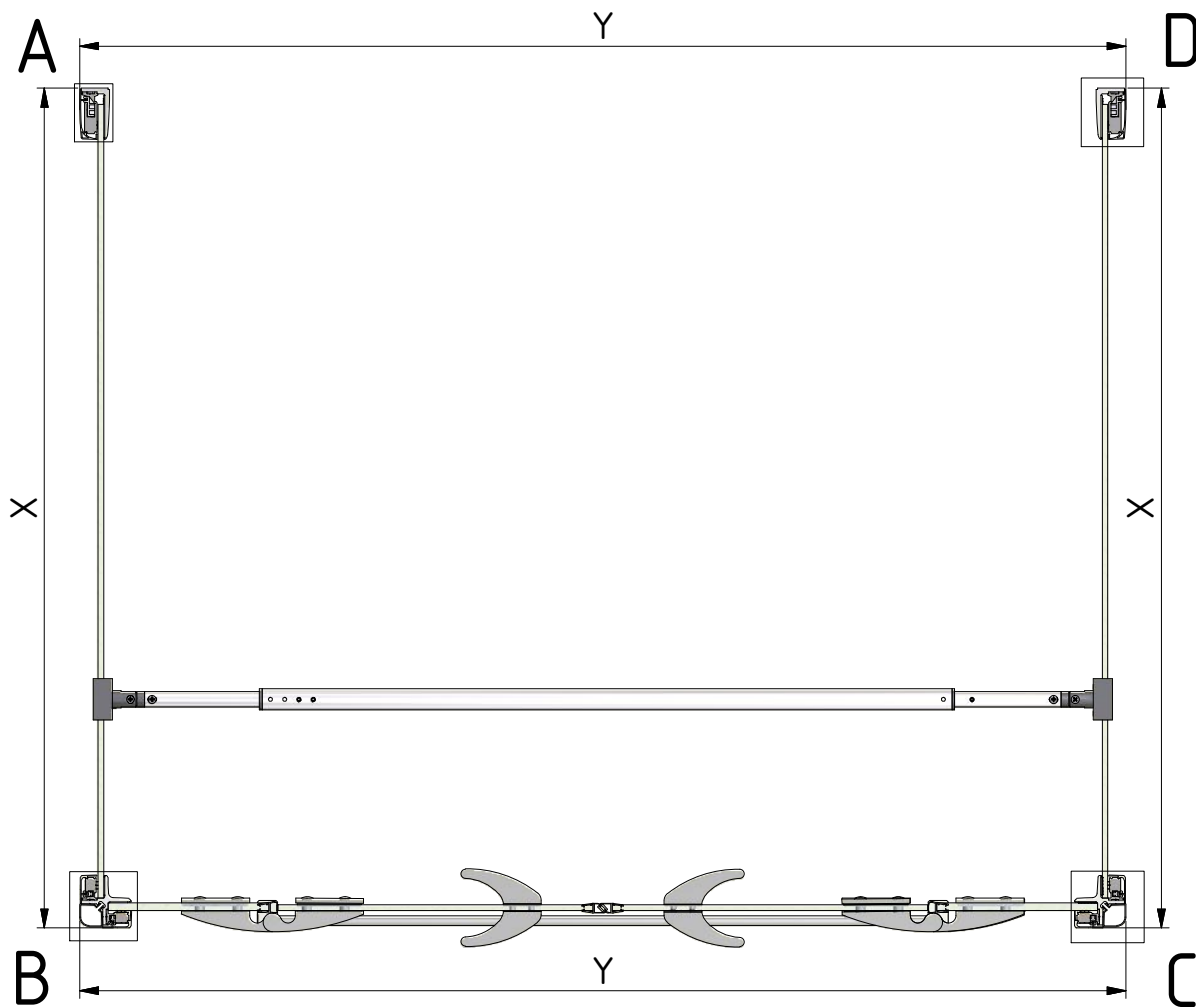
| | X | Y |
|------|---------|-----------|
| 800 | 780-795 | - |
| 900 | 880-895 | - |
| 1000 | 980-995 | - |
| 1100 | - | 1104-1125 |
| 1200 | - | 1204-1225 |
| 1300 | - | 1304-1325 |
| 1400 | - | 1404-1425 |
| 1500 | - | 1504-1525 |

UB+GDN2

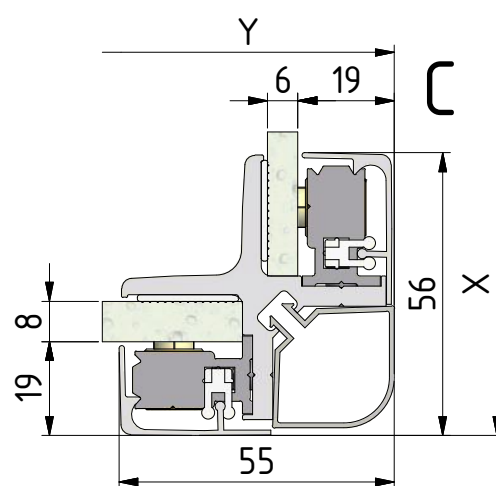
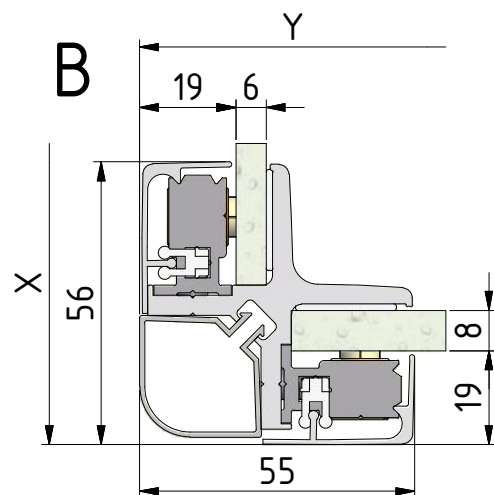
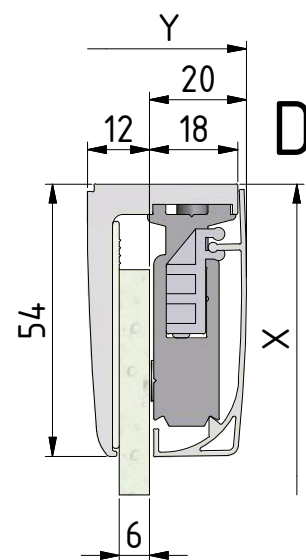


| | X | Y |
|------|---------|-----------|
| 800 | 780-795 | - |
| 900 | 880-895 | - |
| 1000 | 980-995 | - |
| 1100 | - | 1085-1115 |
| 1200 | - | 1185-1215 |
| 1300 | - | 1285-1315 |
| 1400 | - | 1385-1415 |
| 1500 | - | 1485-1515 |

UB+GDN2+UB



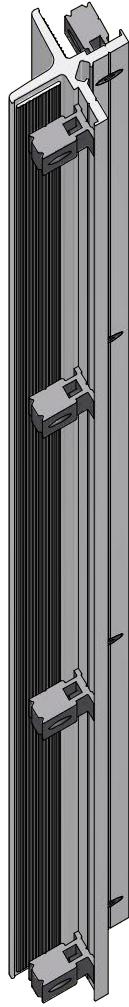
| | X | Y |
|------|---------|-----------|
| 800 | 780-795 | - |
| 900 | 880-895 | - |
| 1000 | 980-995 | - |
| 1100 | - | 1108-1130 |
| 1200 | - | 1208-1230 |
| 1300 | - | 1308-1330 |
| 1400 | - | 1408-1430 |
| 1500 | - | 1508-1530 |



1. 1x
V35



3. 1x



4. 1x
P66



5. 2x
P68



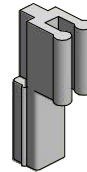
9. 8x
M5974



10. 8x
M5975



11. 8x
M8924

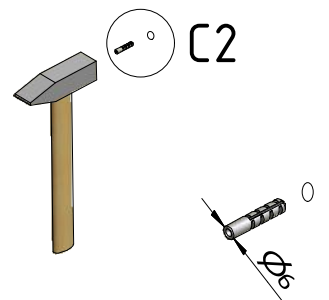
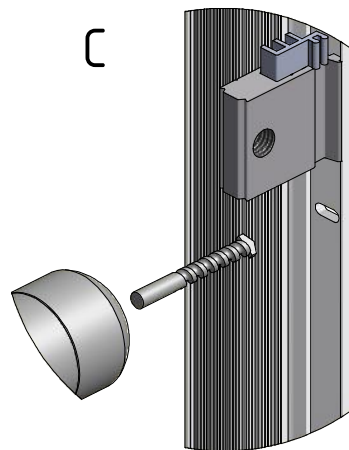
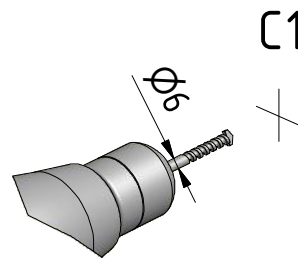
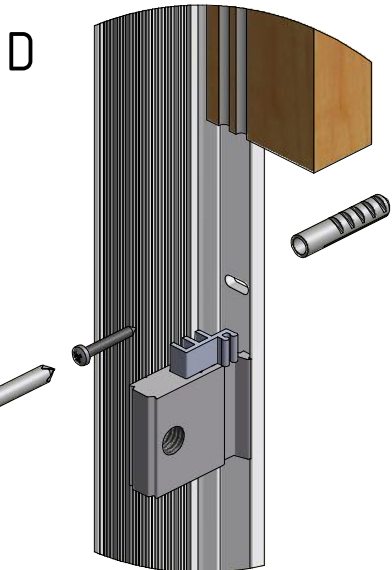
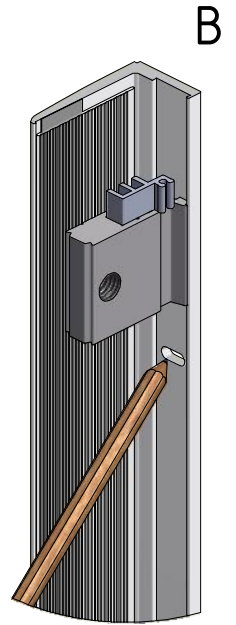
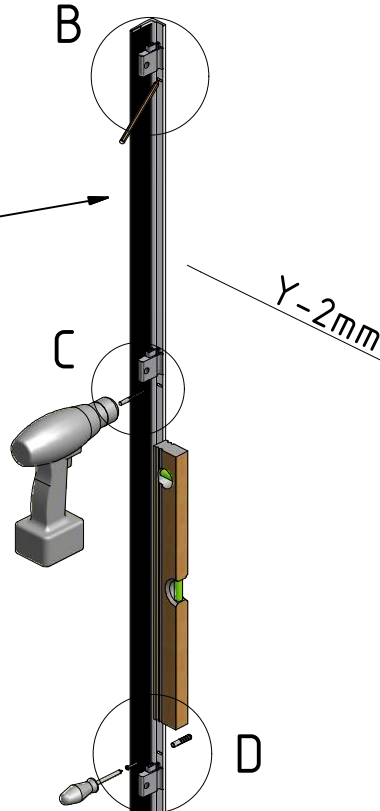
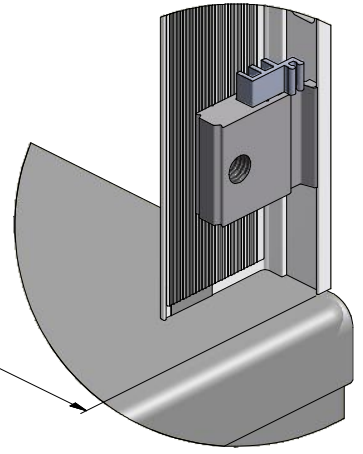
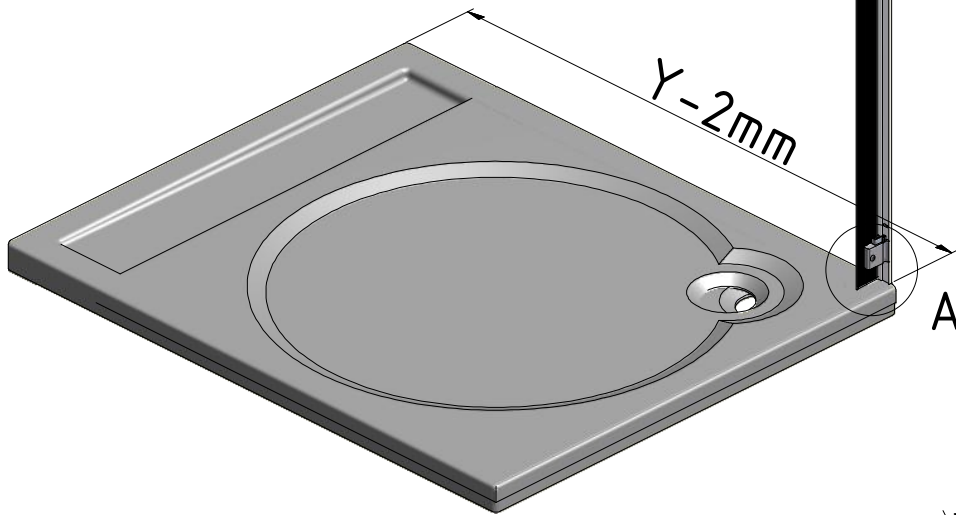


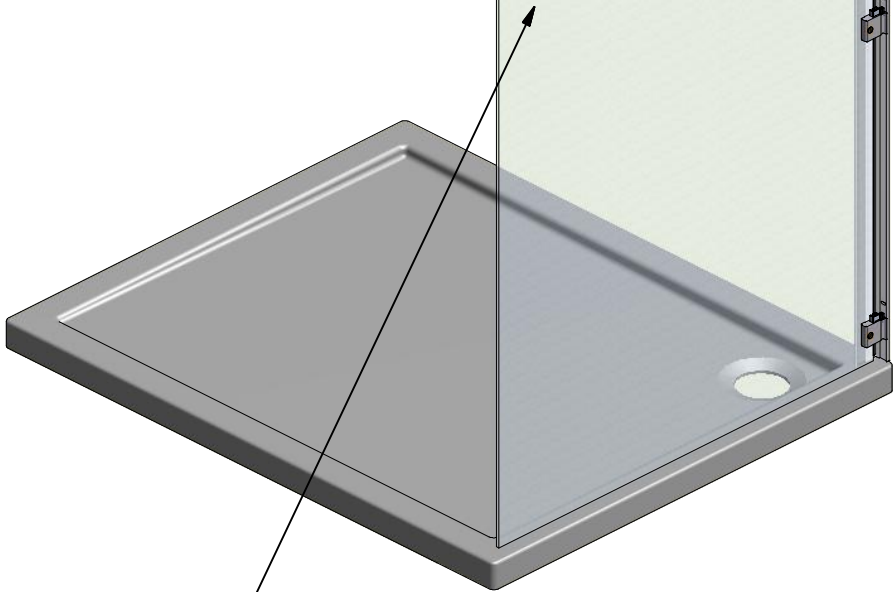
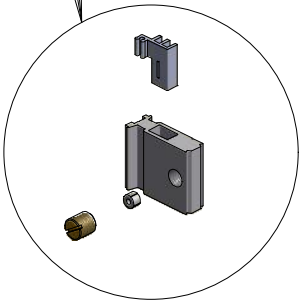
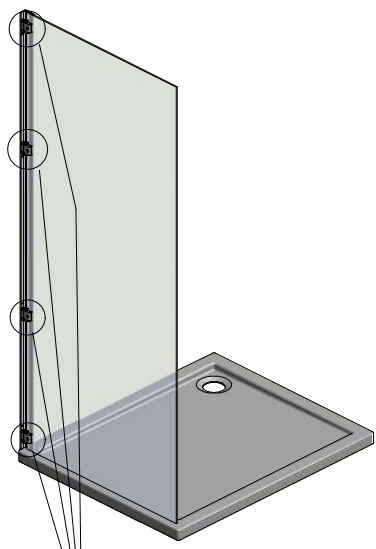
12. 1x
P2743



13. 1x
M8931

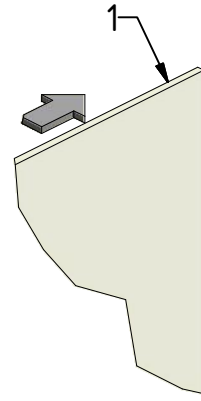
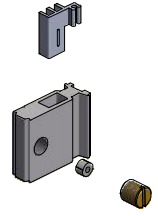




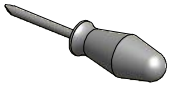
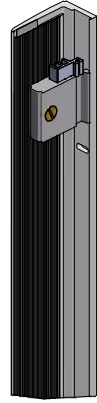


1

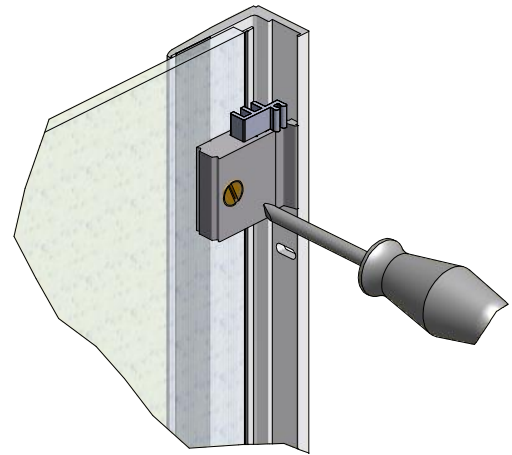
E



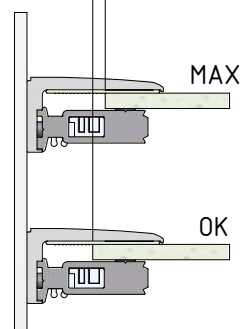
E



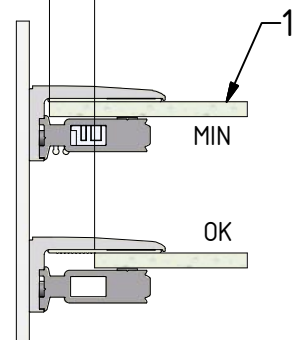
E

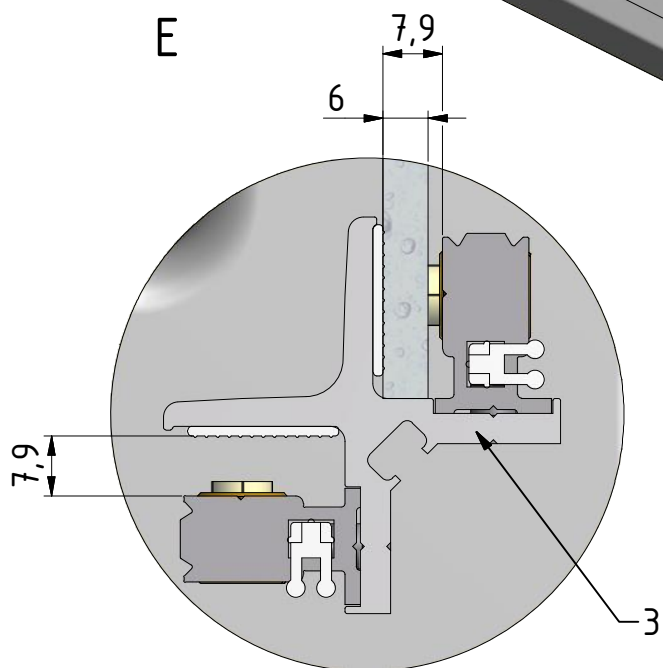
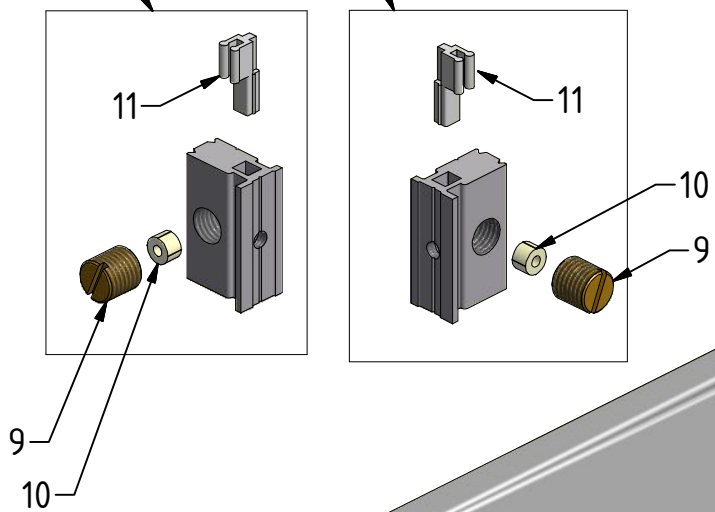
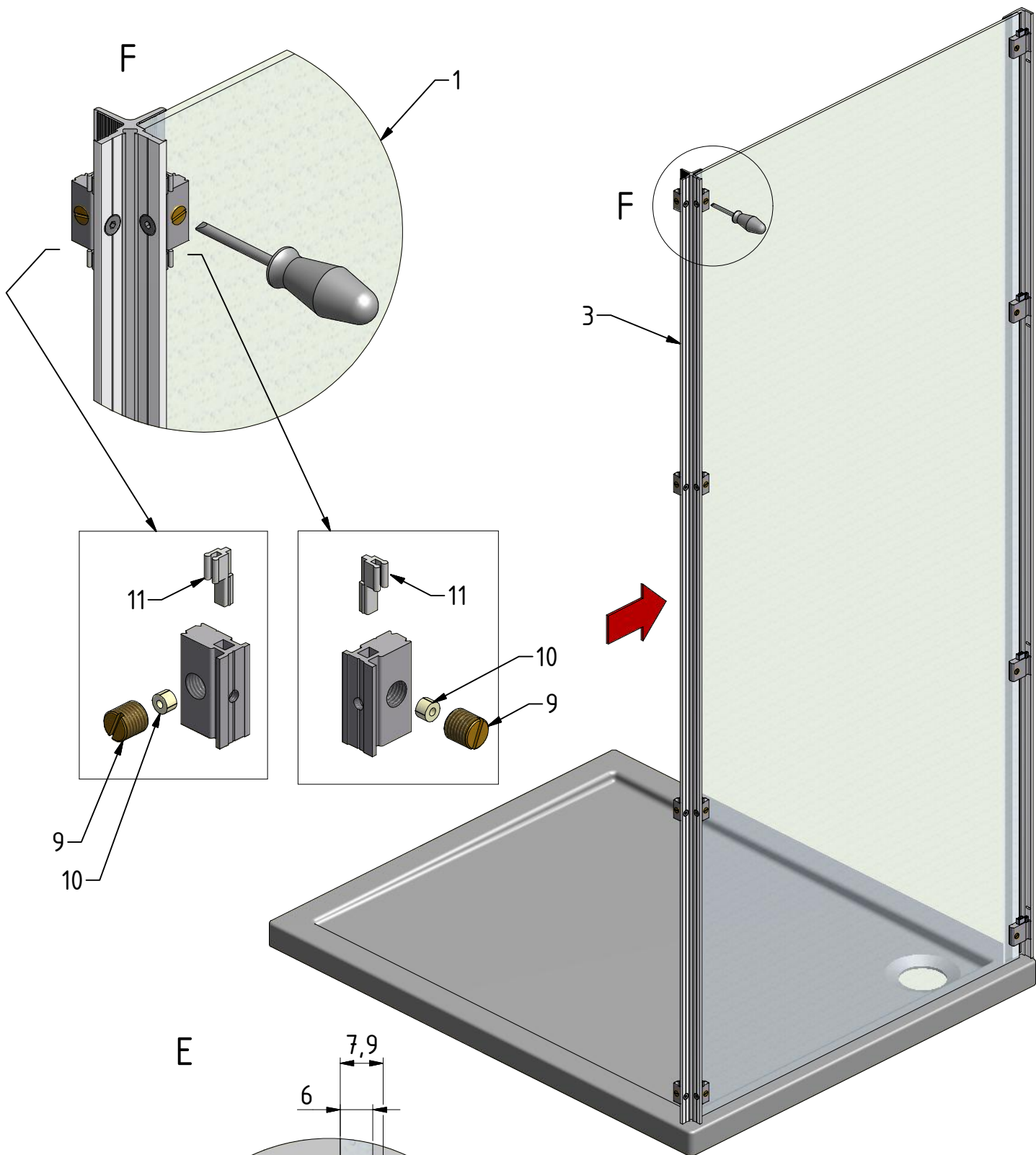


+5 mm

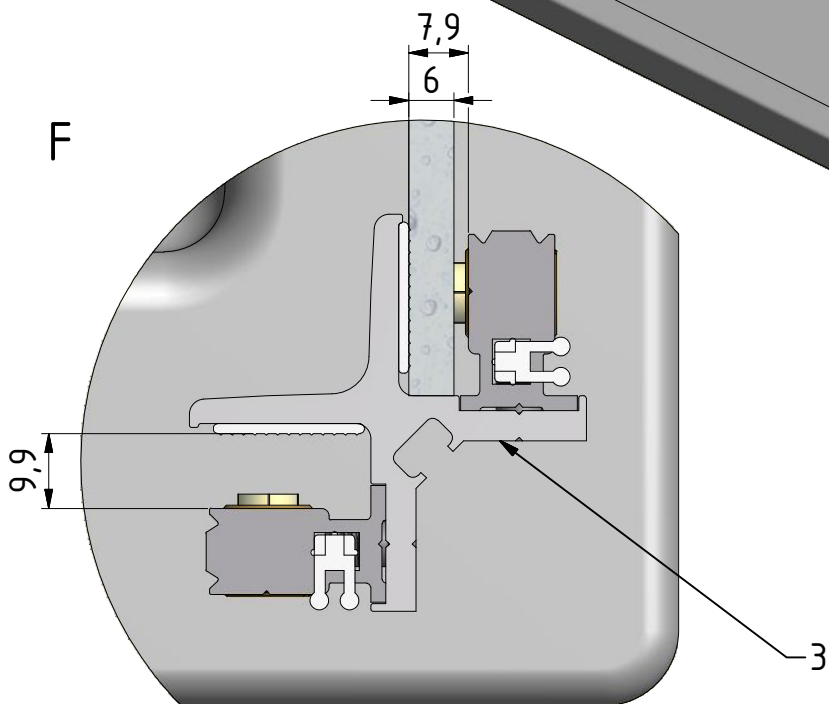
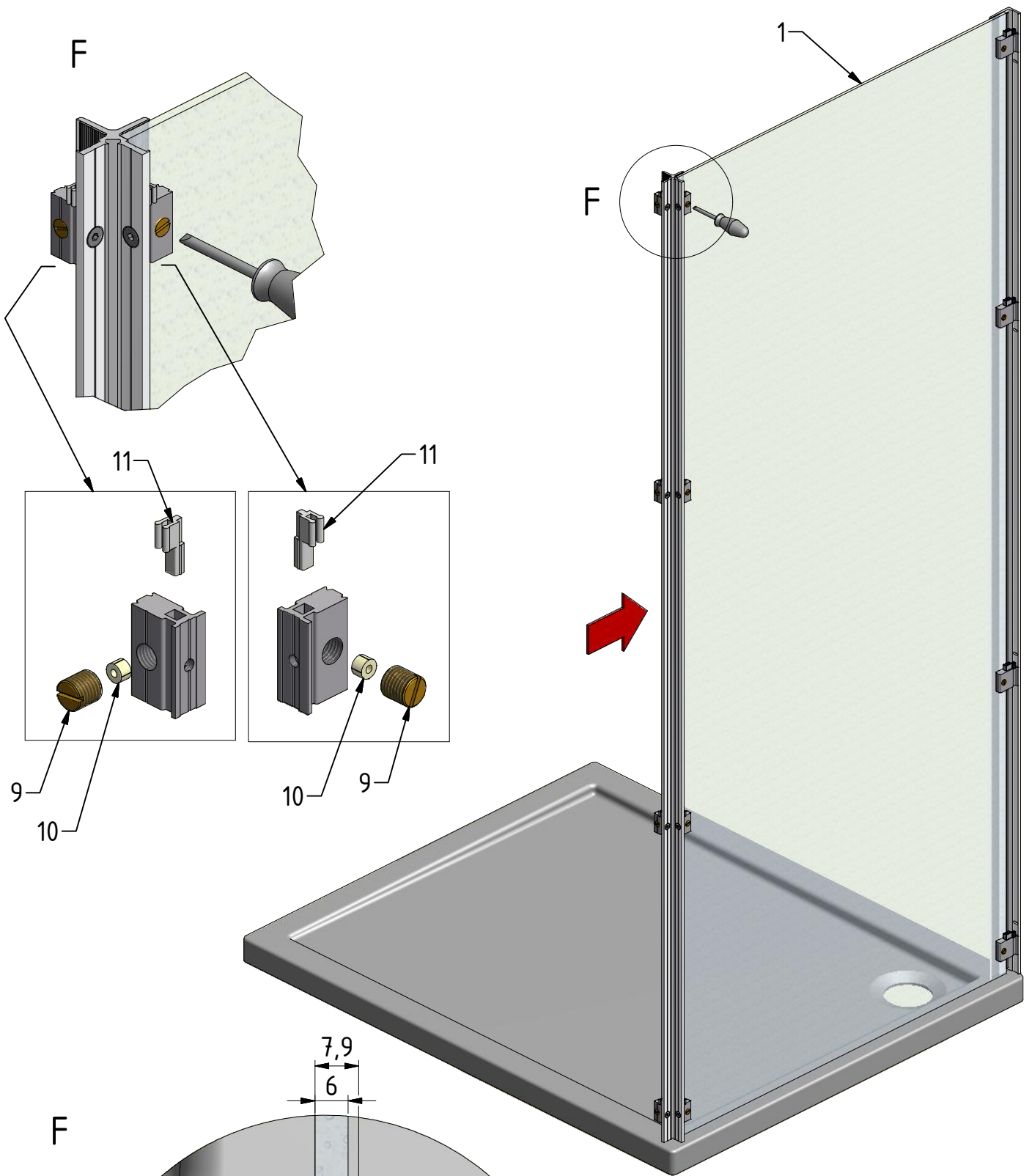


-20 mm



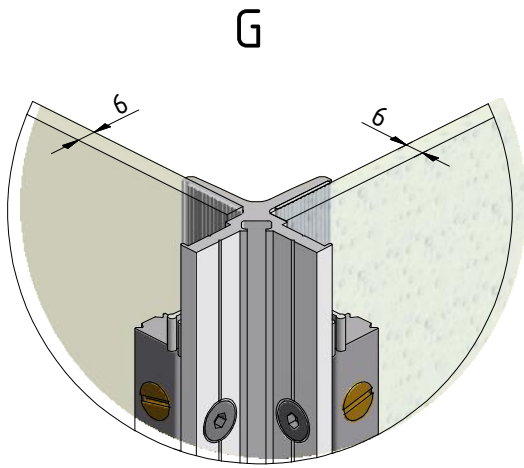


UB+TDN2



UB+GDN2

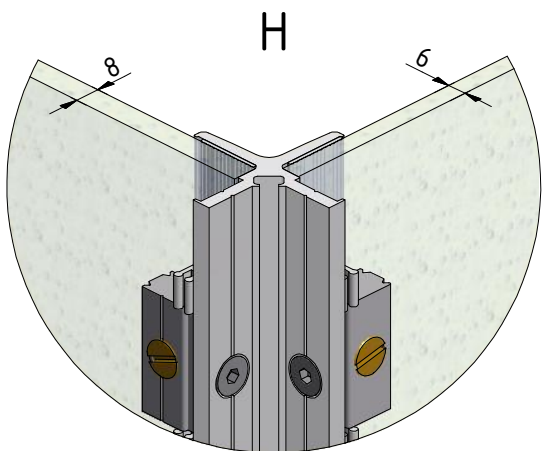
UB+TDN2



instruction
manual TDN2



UB+GDN2

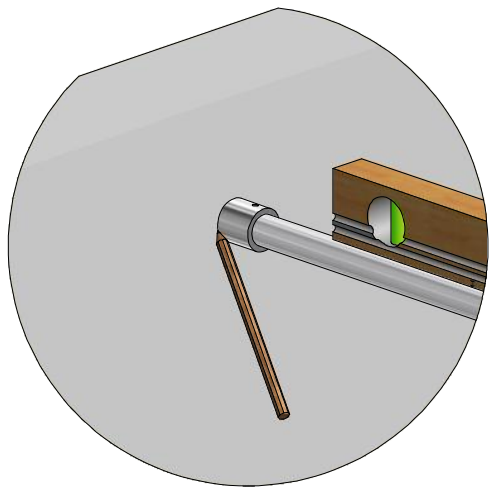


instruction
manual GDN2

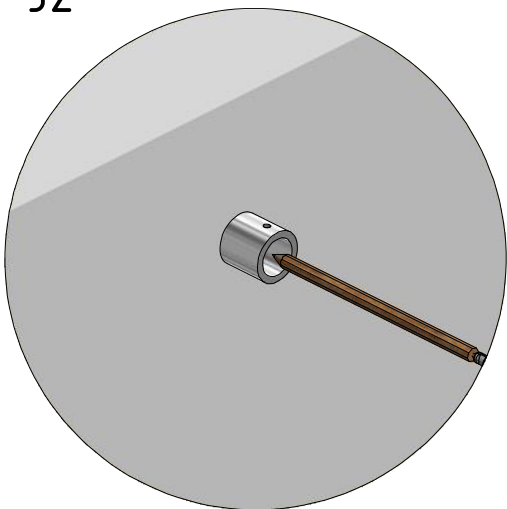




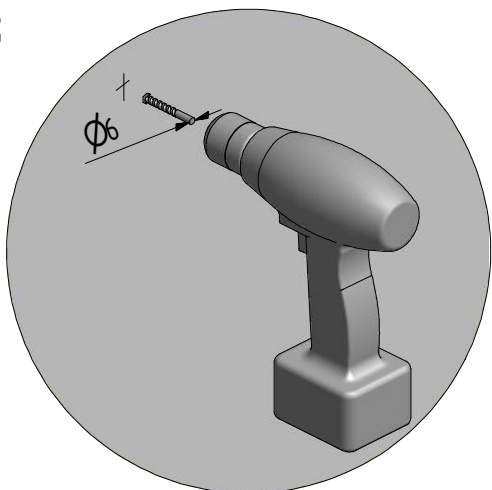
J1



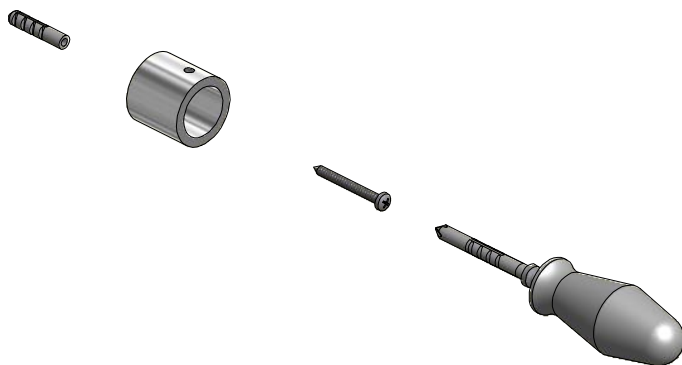
J2



J3

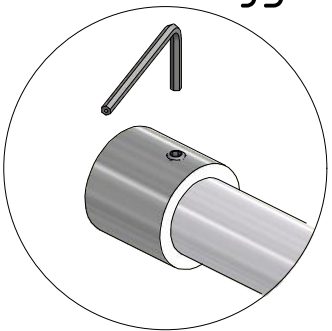


J4

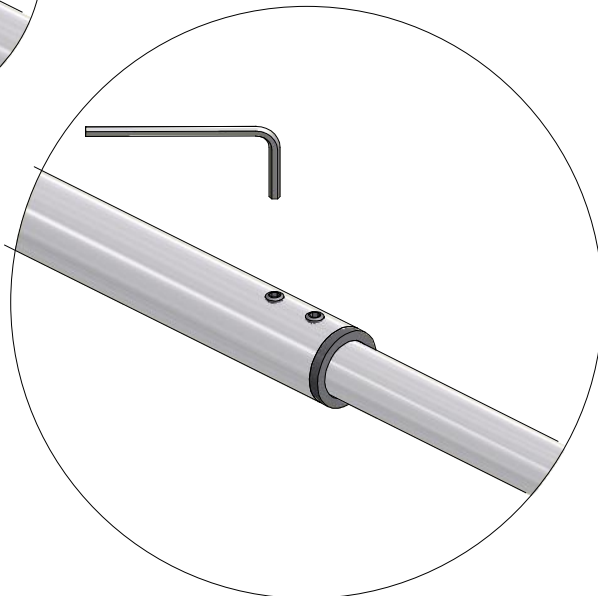




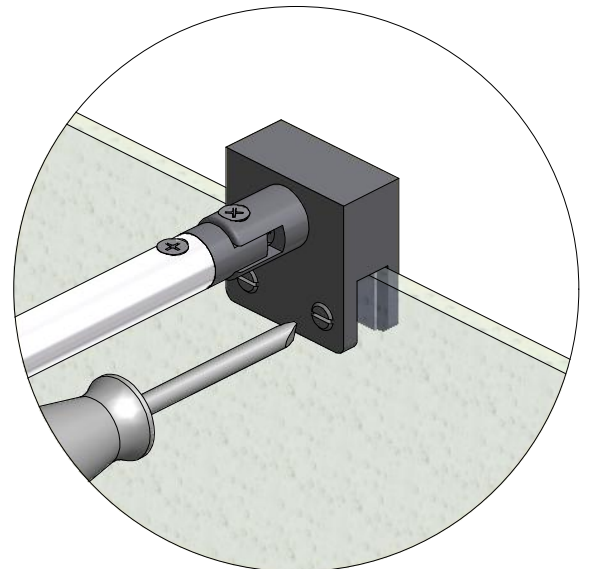
J5



J6

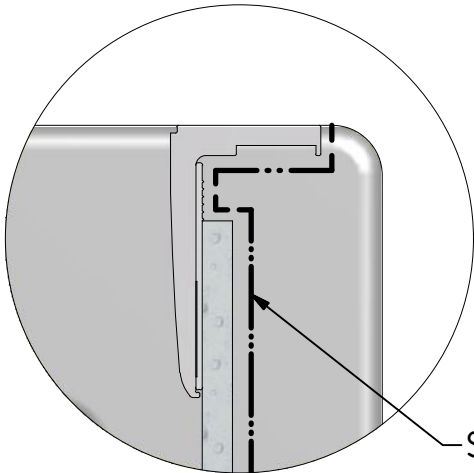


J7



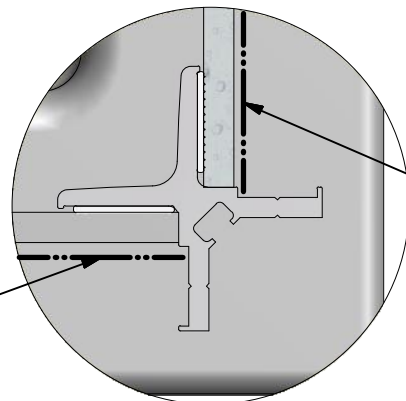


K

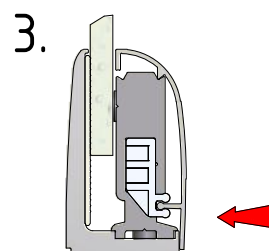
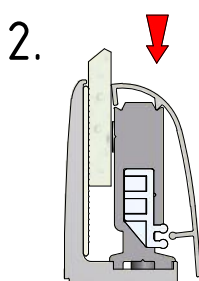
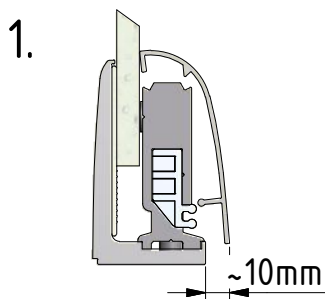
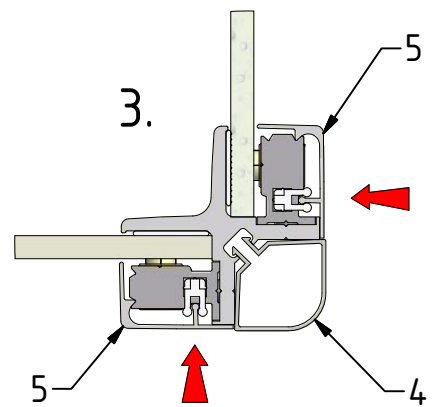
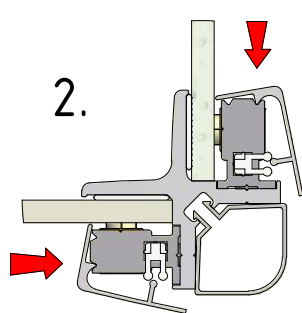
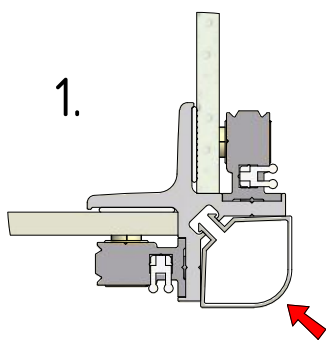
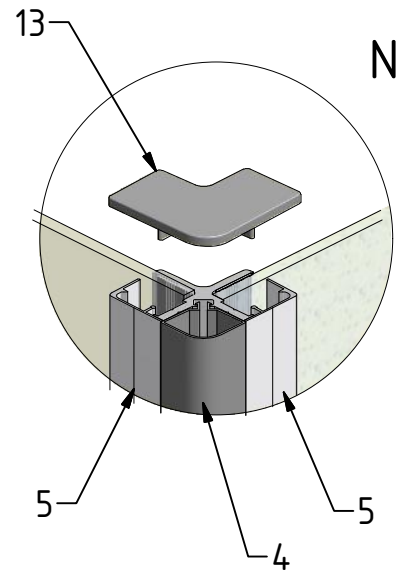
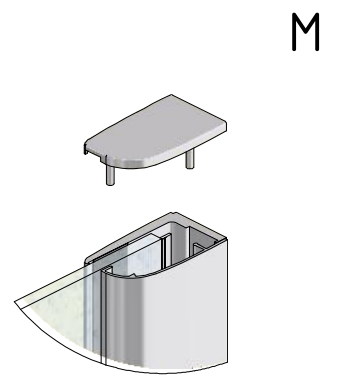


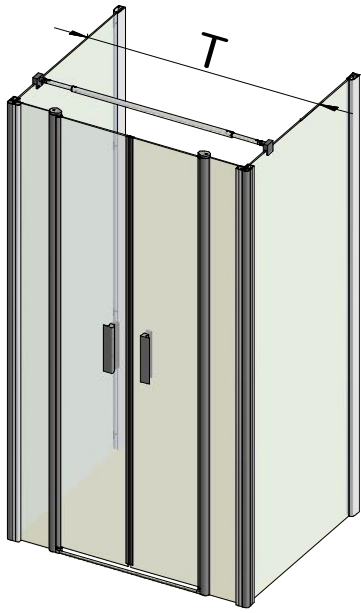
SILICONE

L

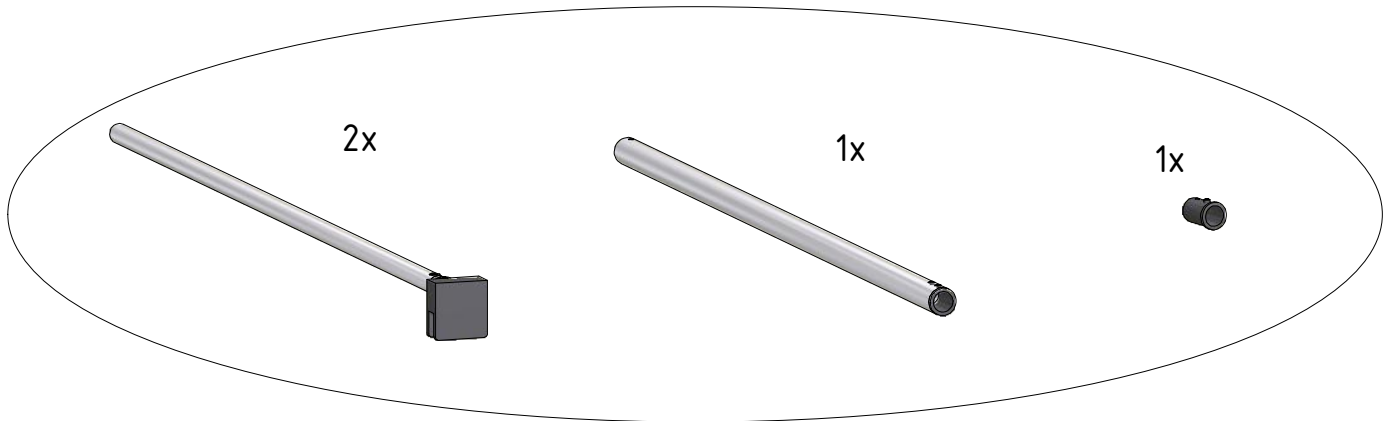


SILICONE



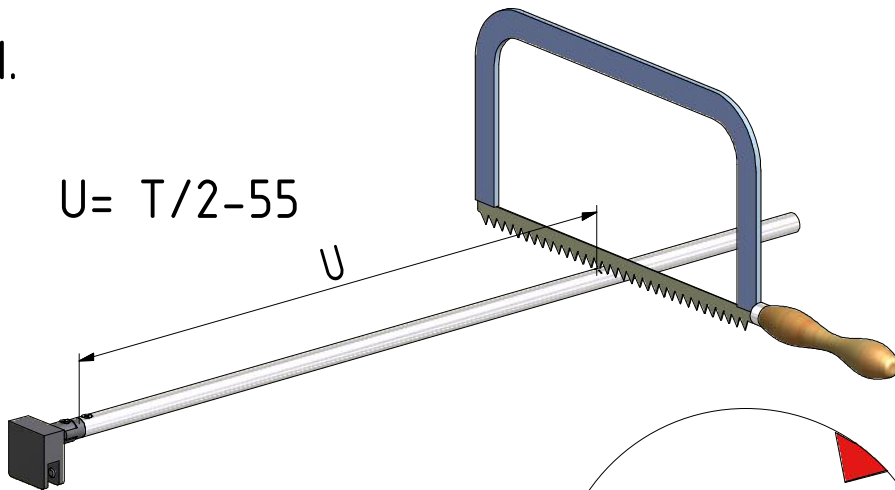


=

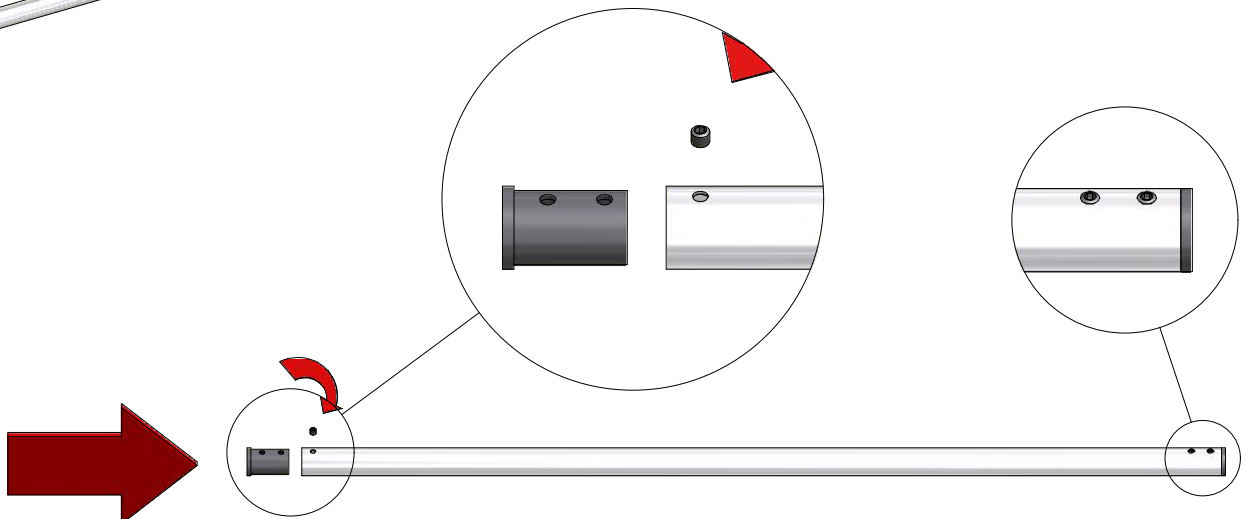


1.

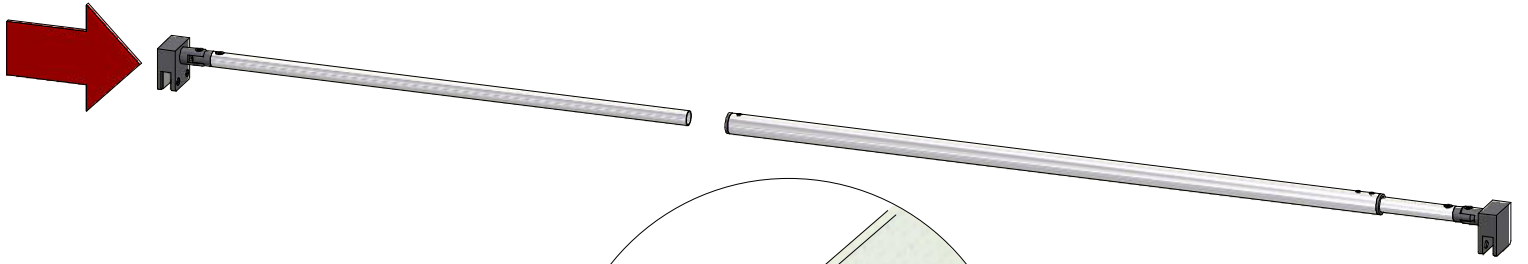
$$U = T/2 - 55$$



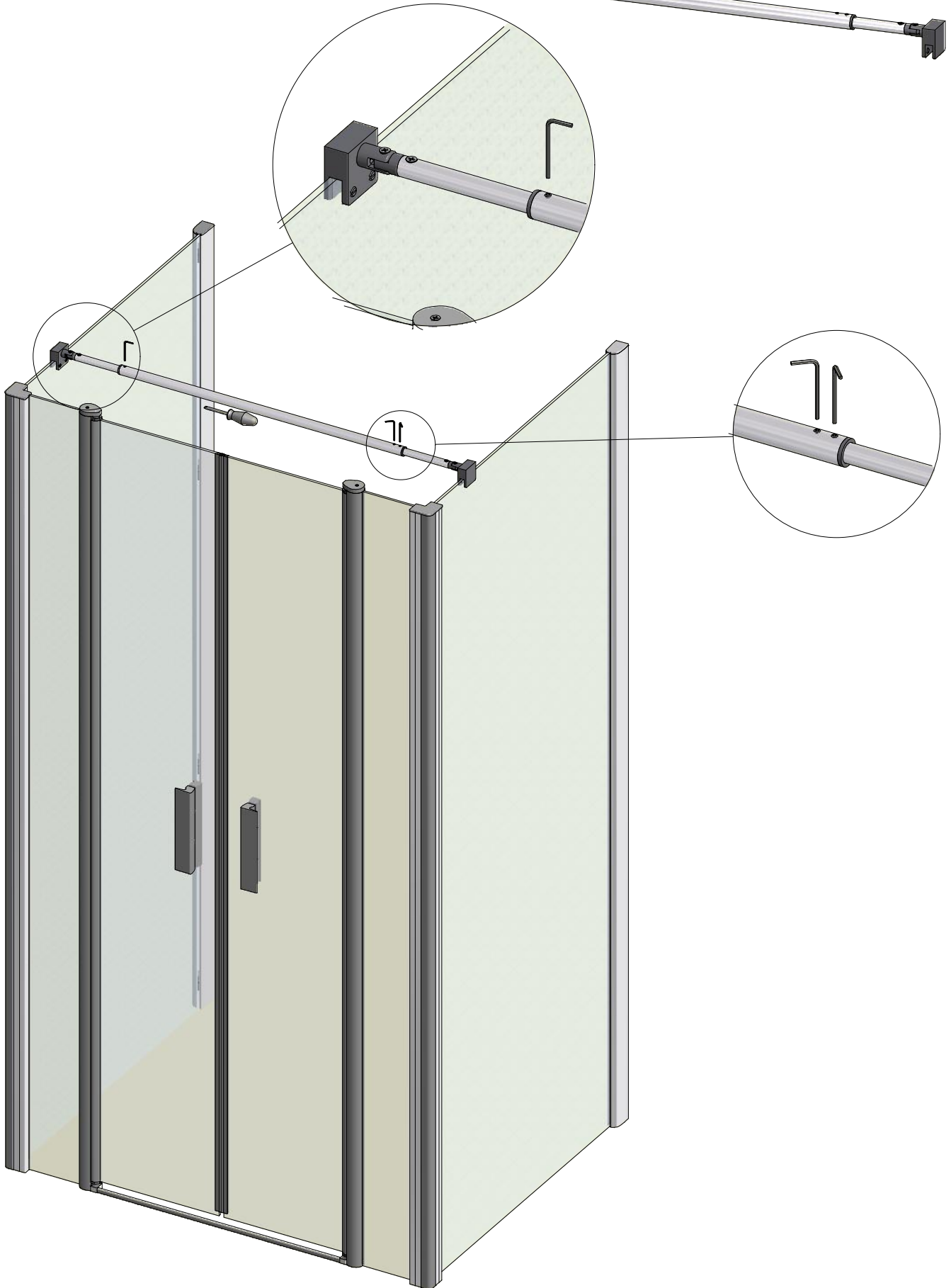
2.

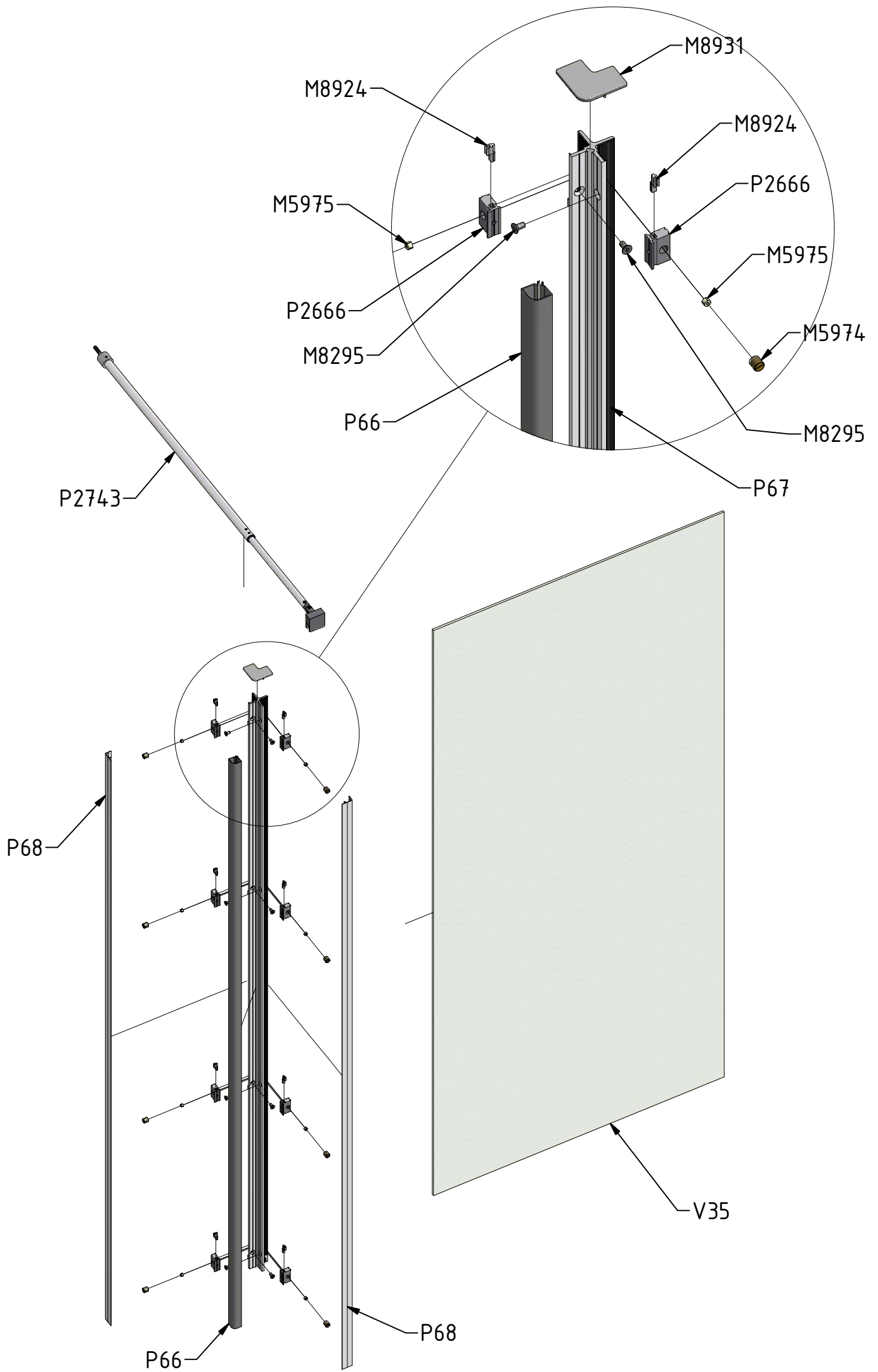


3.

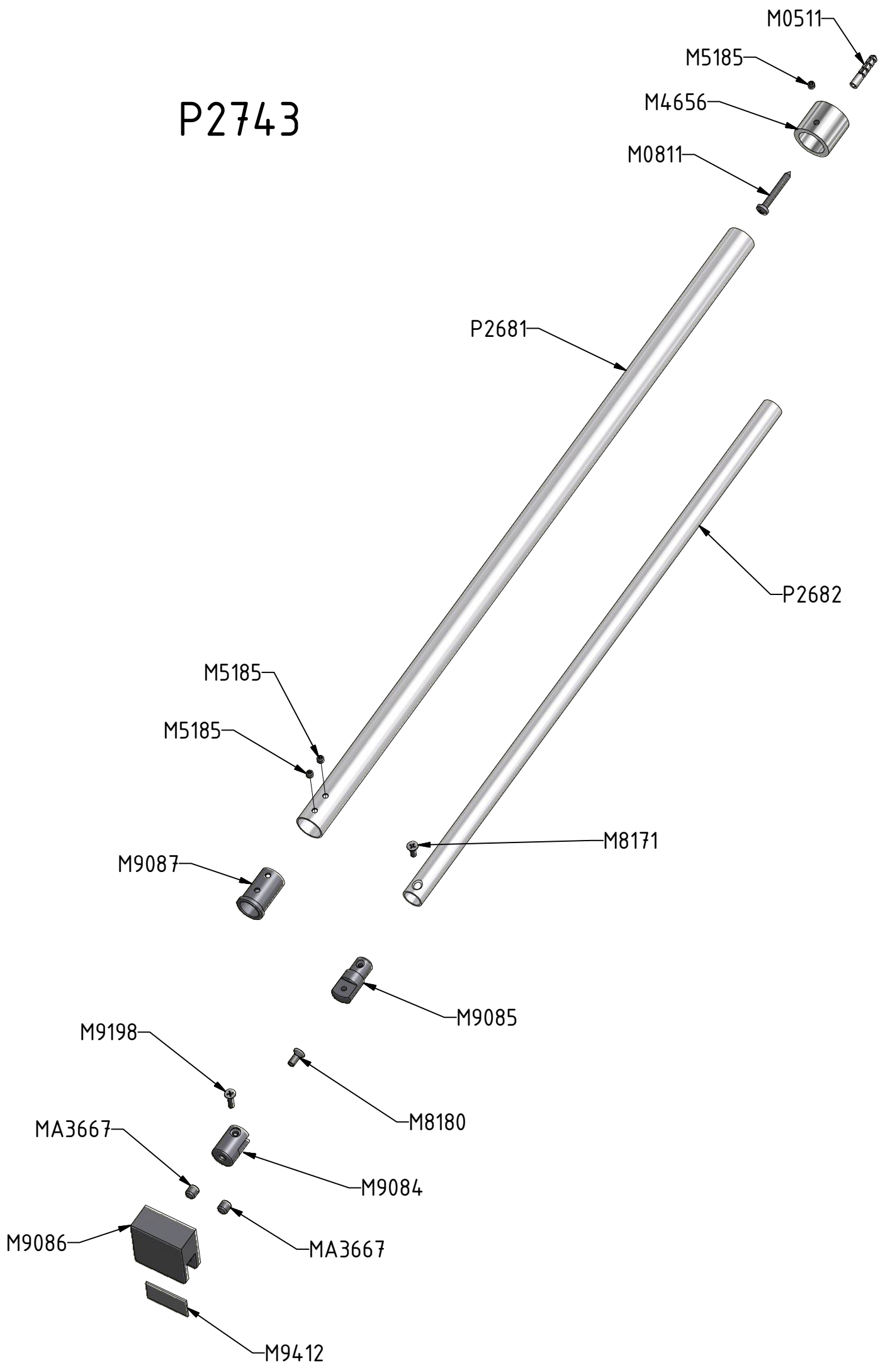


4.





P2743



| | | | |
|-----|------|-------------|-----------------|
| P66 | | brilant | P2677 |
| | | elox | P2680 |
| P67 | | brilant | ND01-2395-00 |
| | | elox | ND01-2395-01 |
| P68 | | brilant | P2665 |
| | | elox | P2678 |
| V35 | 800 | clear glass | ND03-0383-00-02 |
| | | | |
| | 900 | clear glass | ND03-0384-00-02 |
| | | | |
| | 1000 | clear glass | ND03-0385-00-02 |
| | | | |