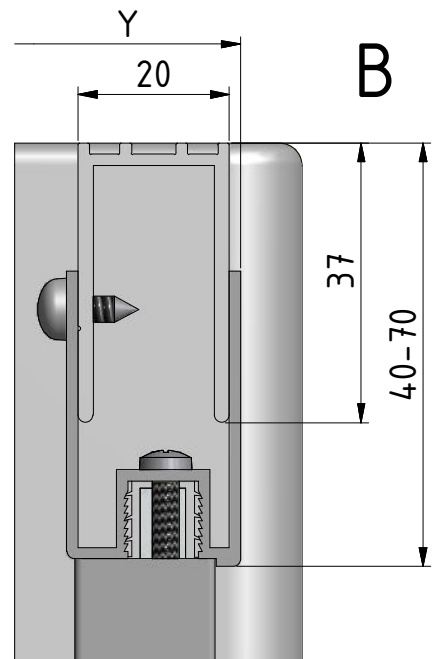
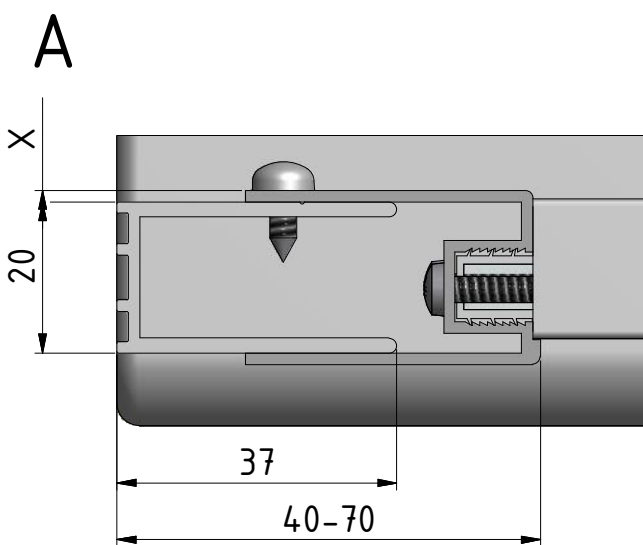
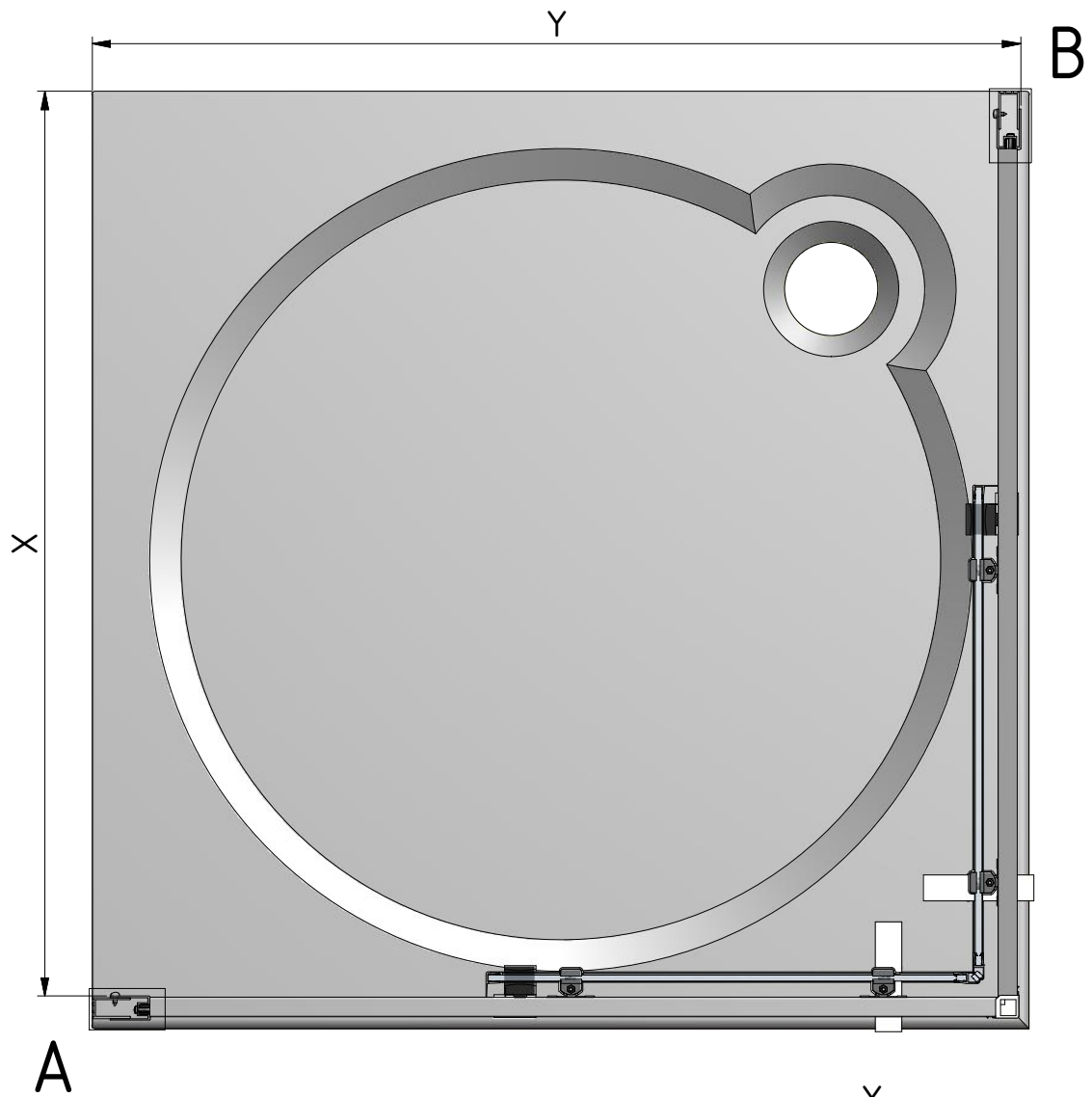


ECS2



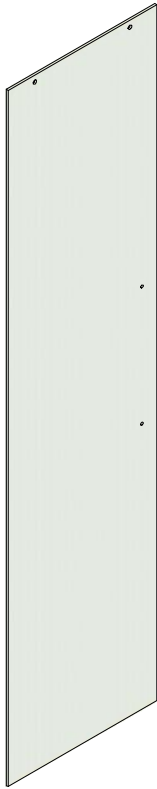


	Y	X
800	775-800	752-777
900	875-900	852-877
1000	975-1000	952-977
1100	1075-1100	1052-1077
1200	1175-1200	1152-1177

1. 1+1



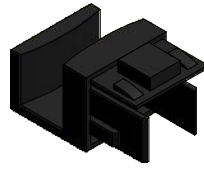
3. 1+1



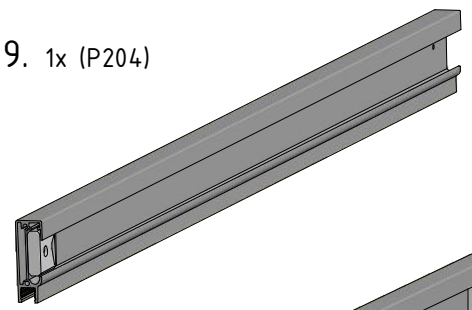
2. 2x (P200)



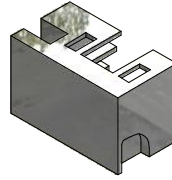
13. 2x (MA2758)



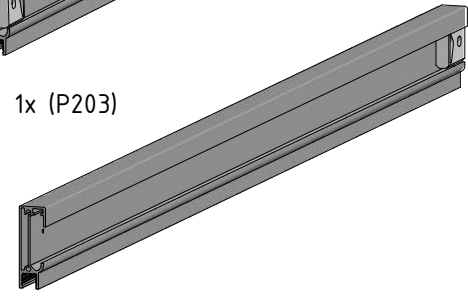
9. 1x (P204)



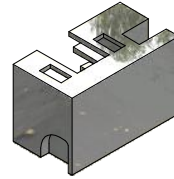
14. 1x (MA2756)



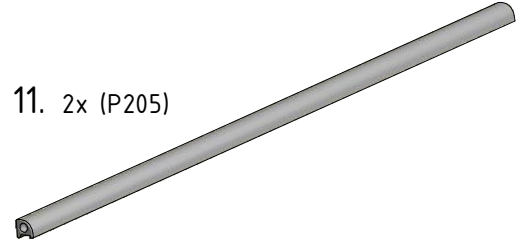
7. 1x (P203)



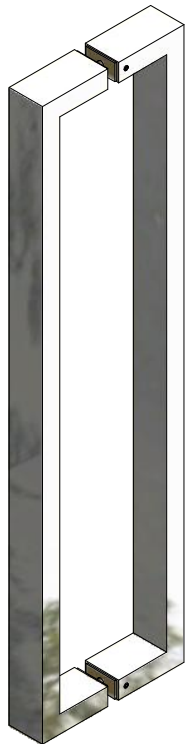
17. 1x(MA2757)



11. 2x (P205)



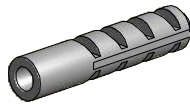
10. 2x (MA2908)



6. 8x (M1907)

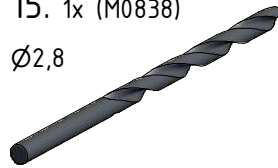


4. 6x (M0511)

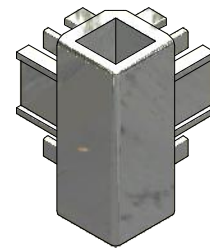


15. 1x (M0838)

Ø2,8



24. 1x (MA2752)



5. 6x (M0795)

Ø3,5x38

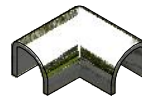


12. 6x (M0806)

Ø3,5x9,5



18. 1x (MA6606)

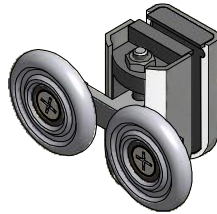


8. 4x (M0794)

Ø3,5x32



16. 4x (P3621)

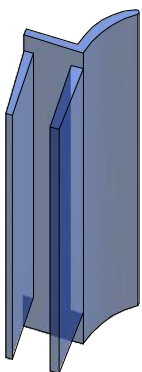


23. 2x (M4928)

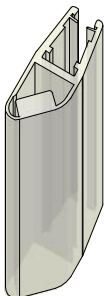
Ø3,5x6,5



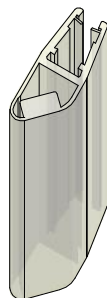
18. 1+1



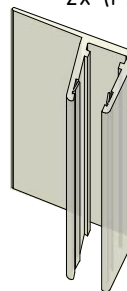
19. 1x (P3582)



20. 1x (P3581)



23. 2x (P3583)
2x (P3584)

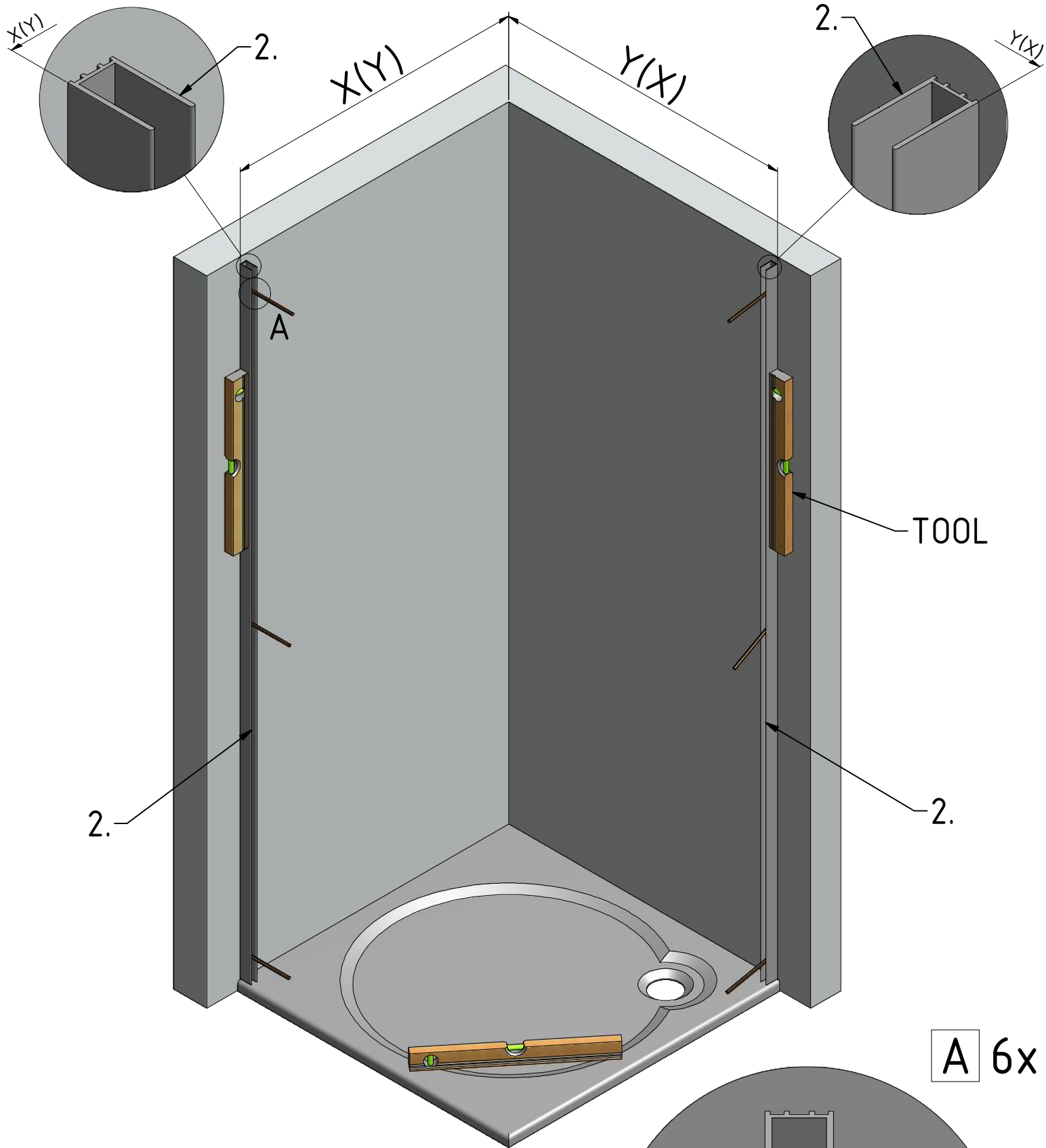


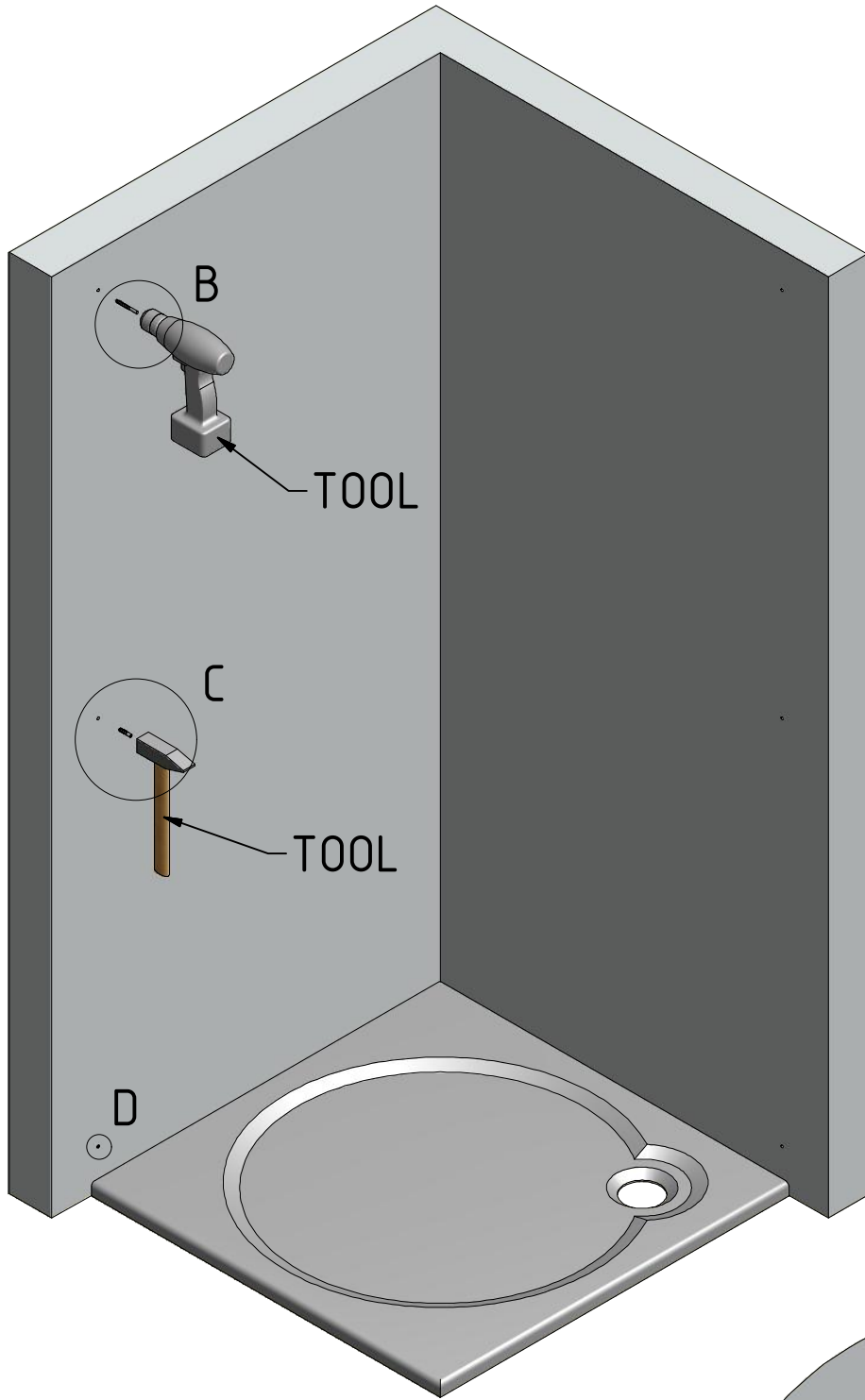
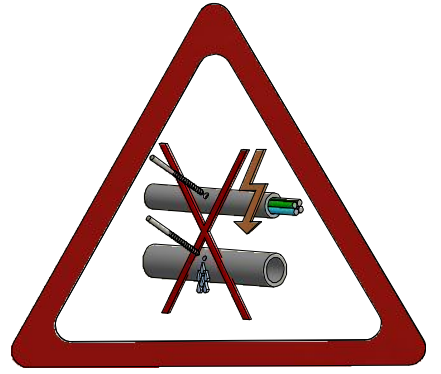
21. 2x (T28)



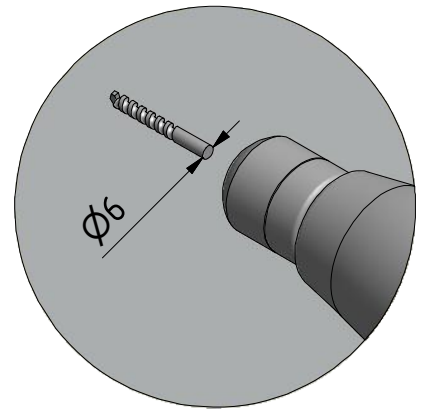
22. 2x (T27)



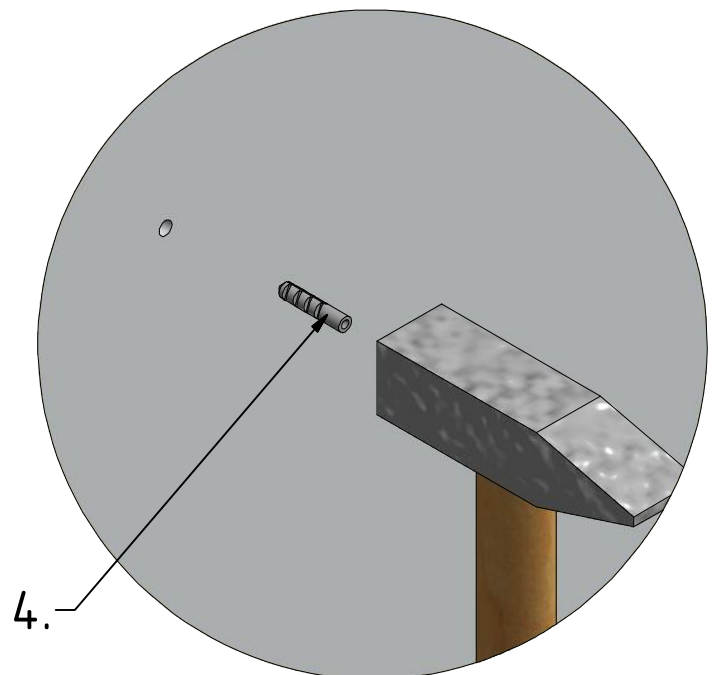
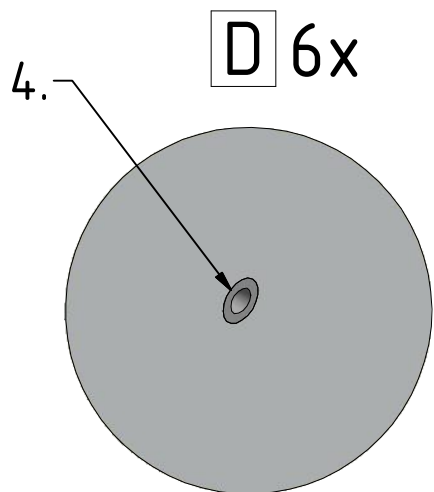


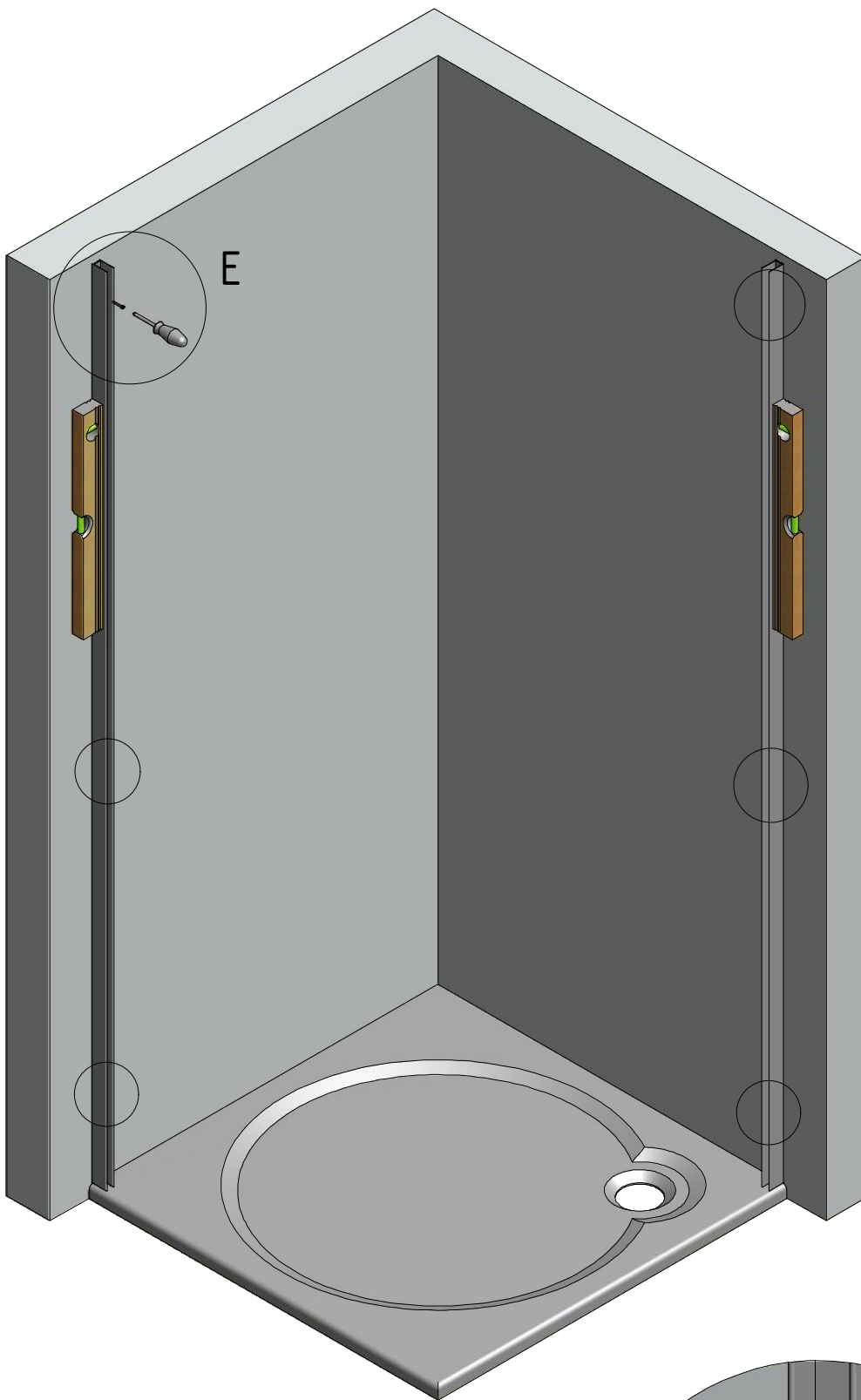


B 6x

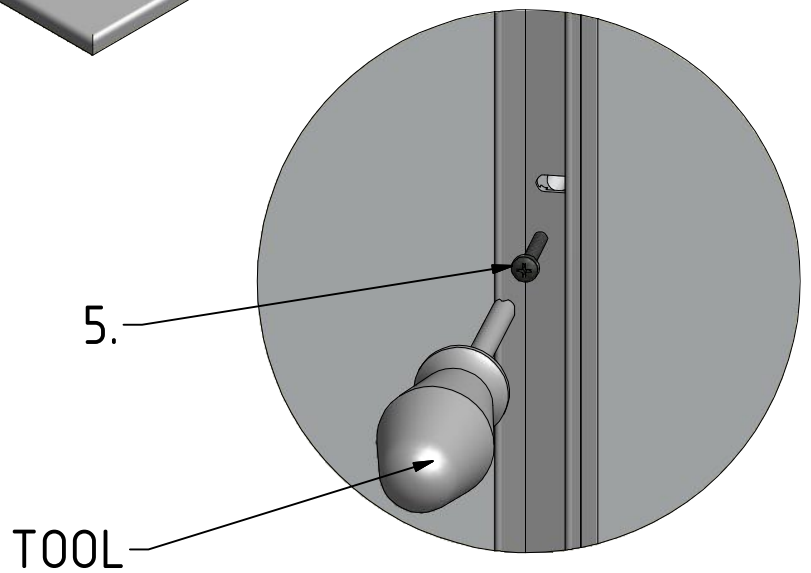


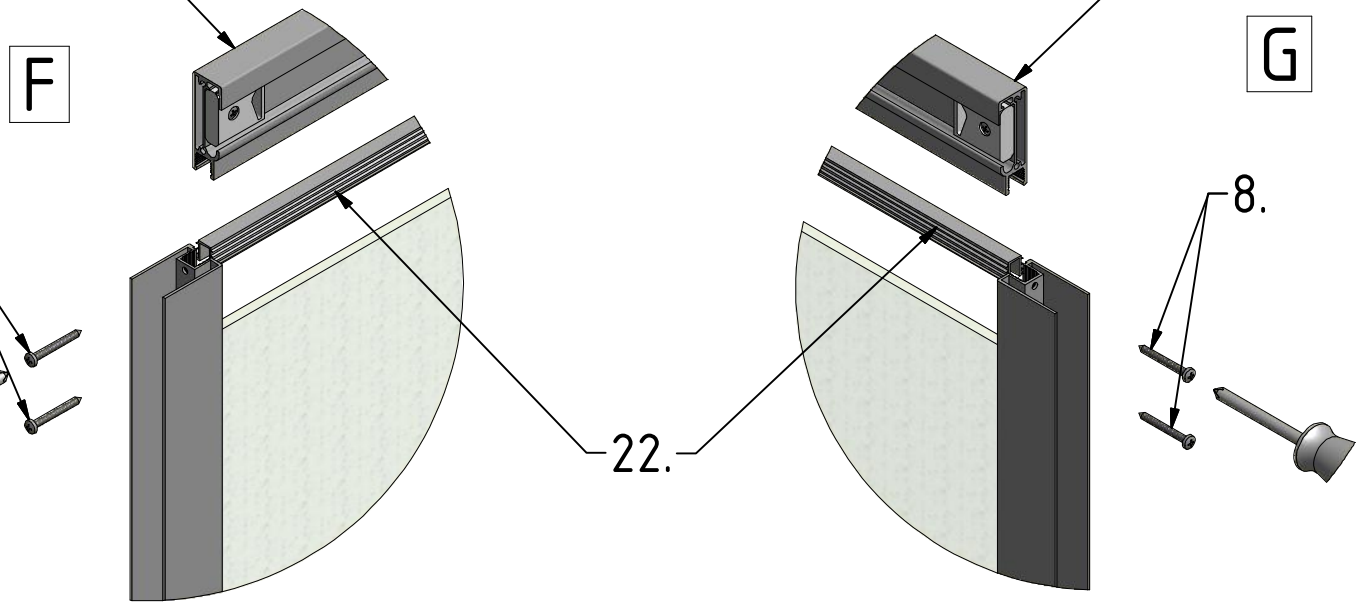
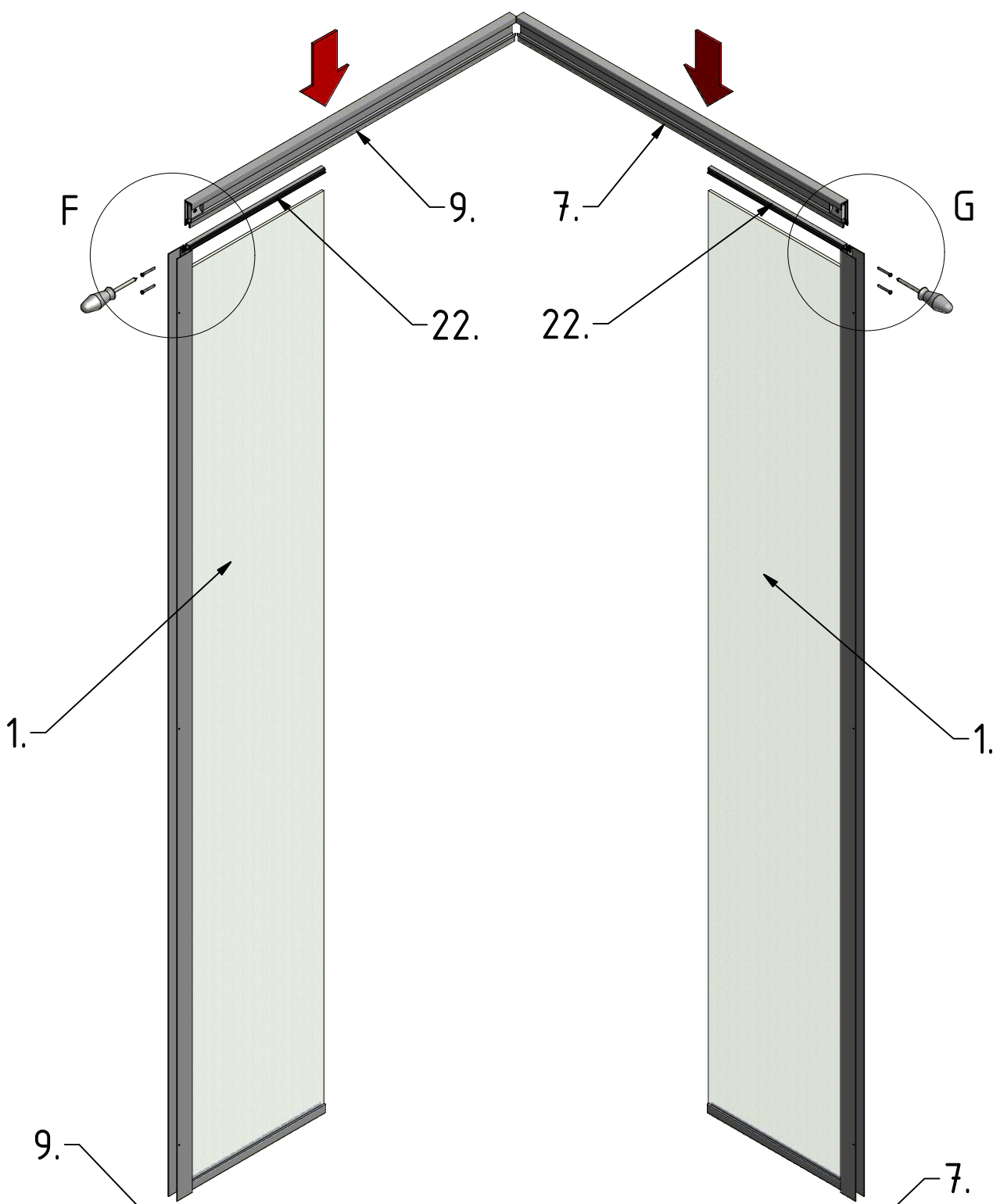
C 6x

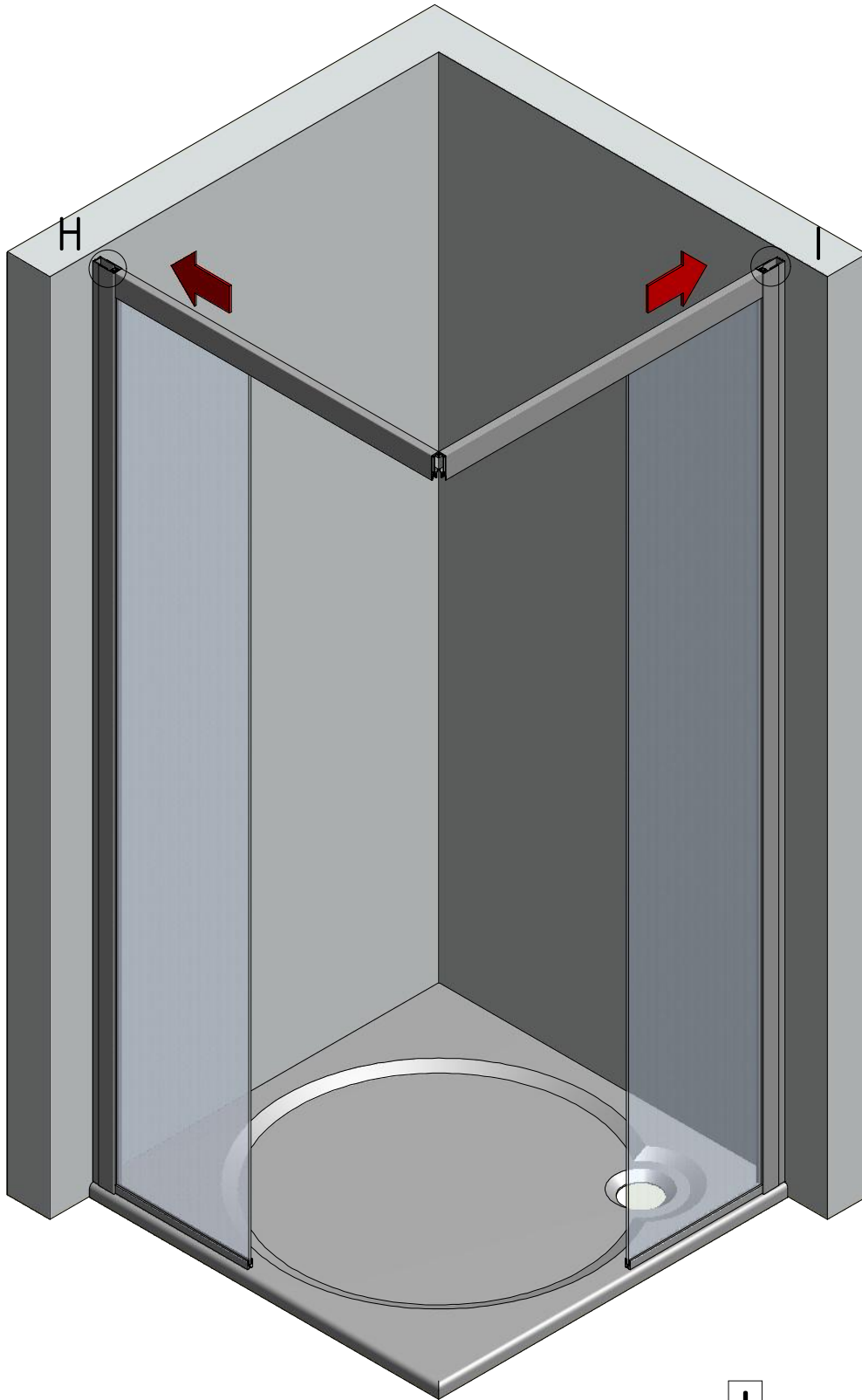




E 6x

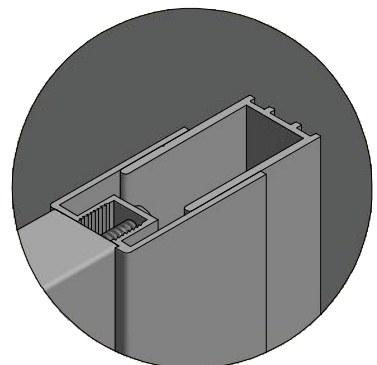
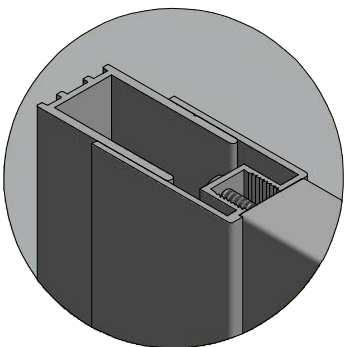


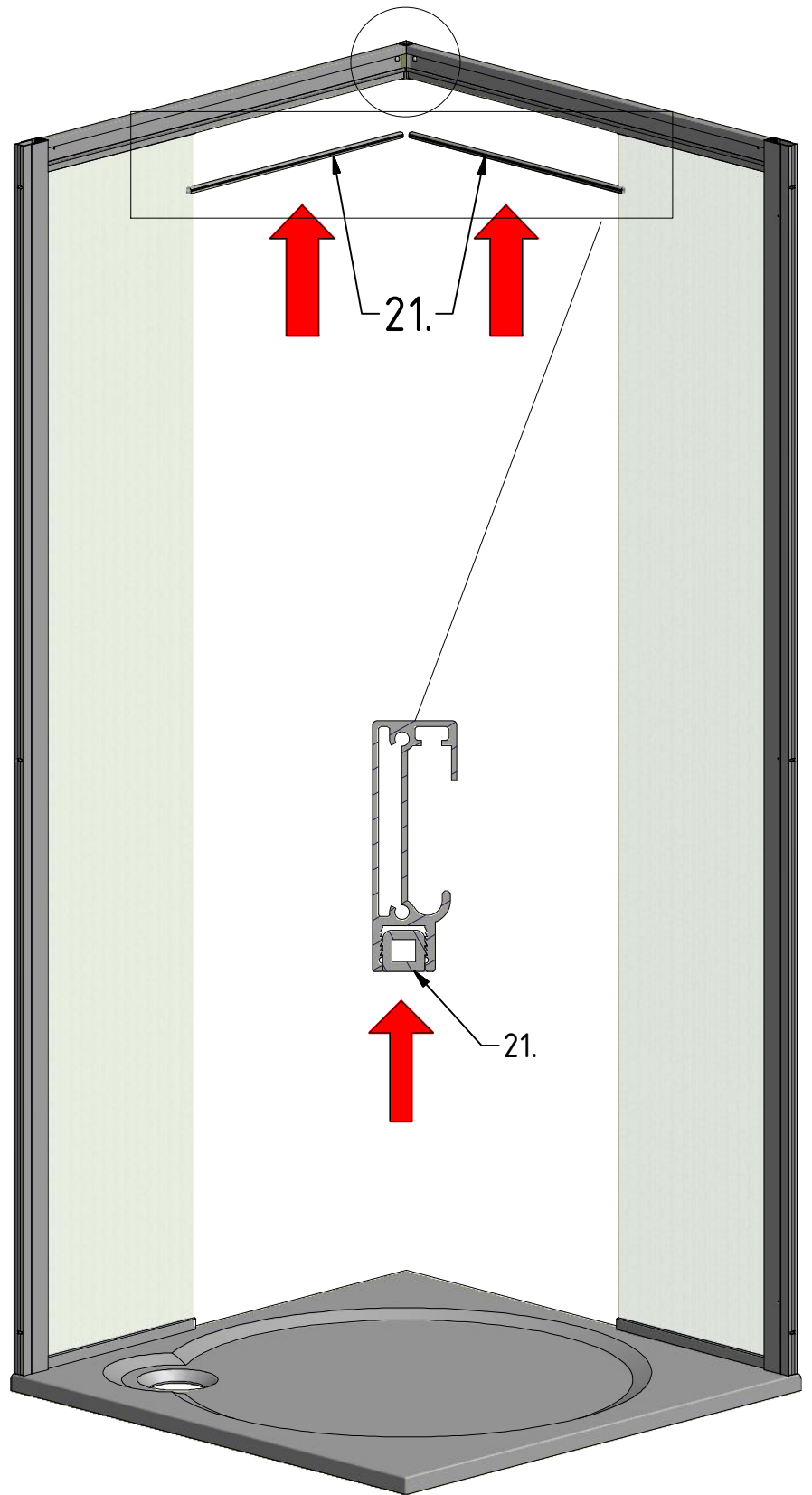
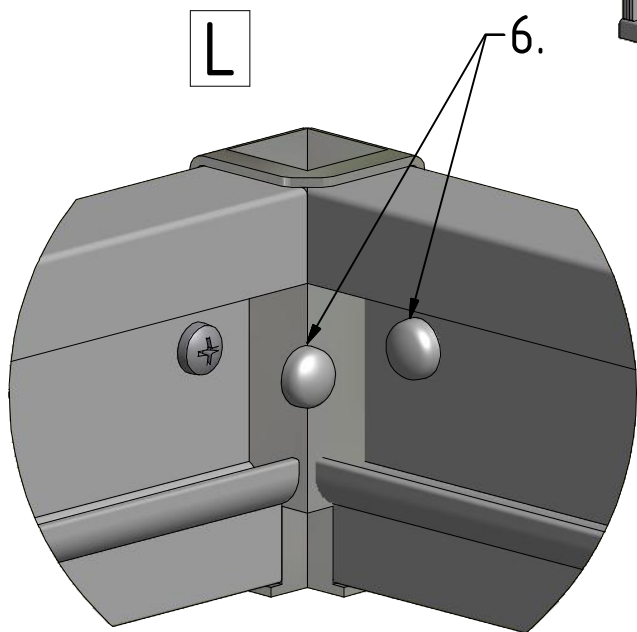
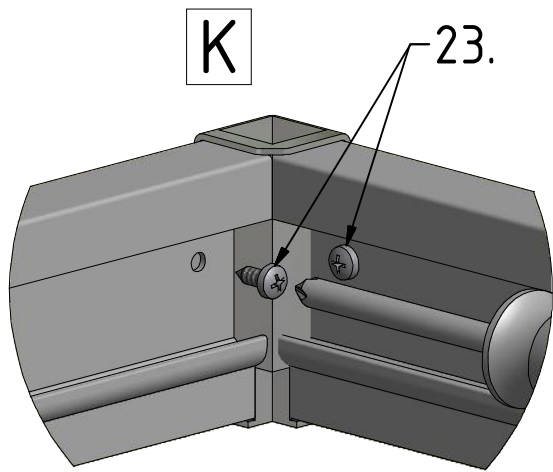
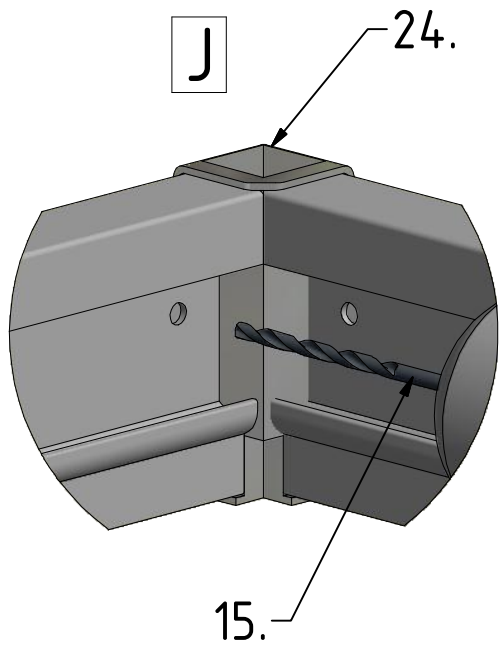




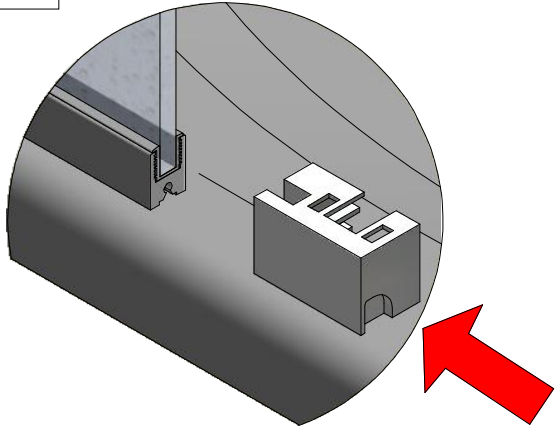
H

I

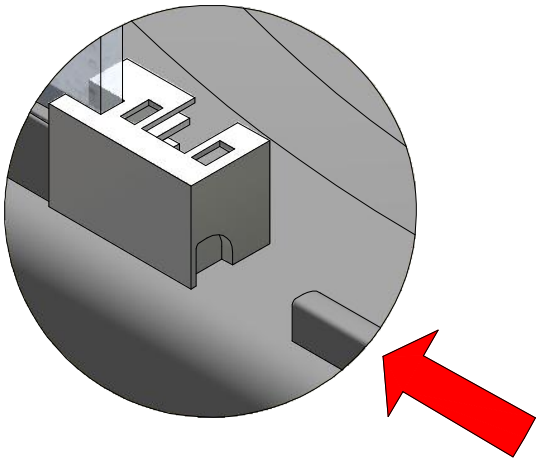




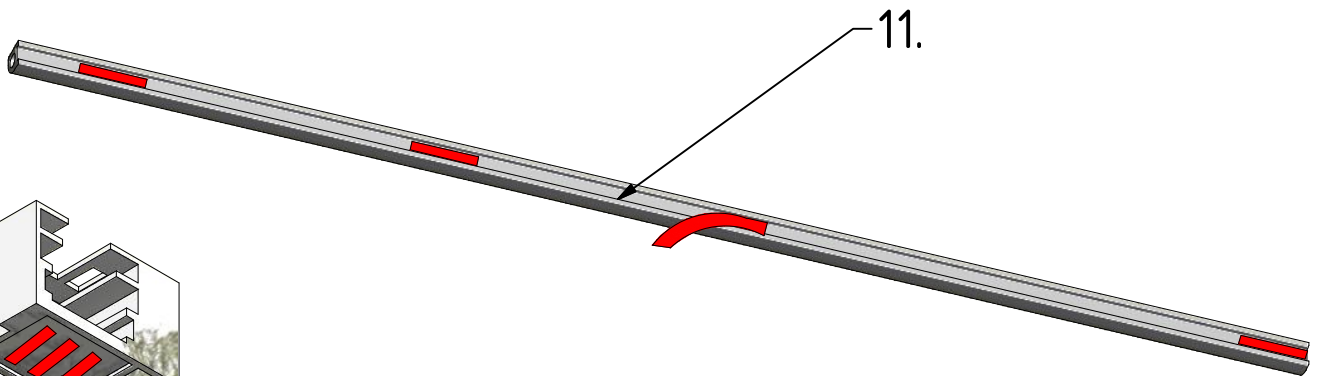
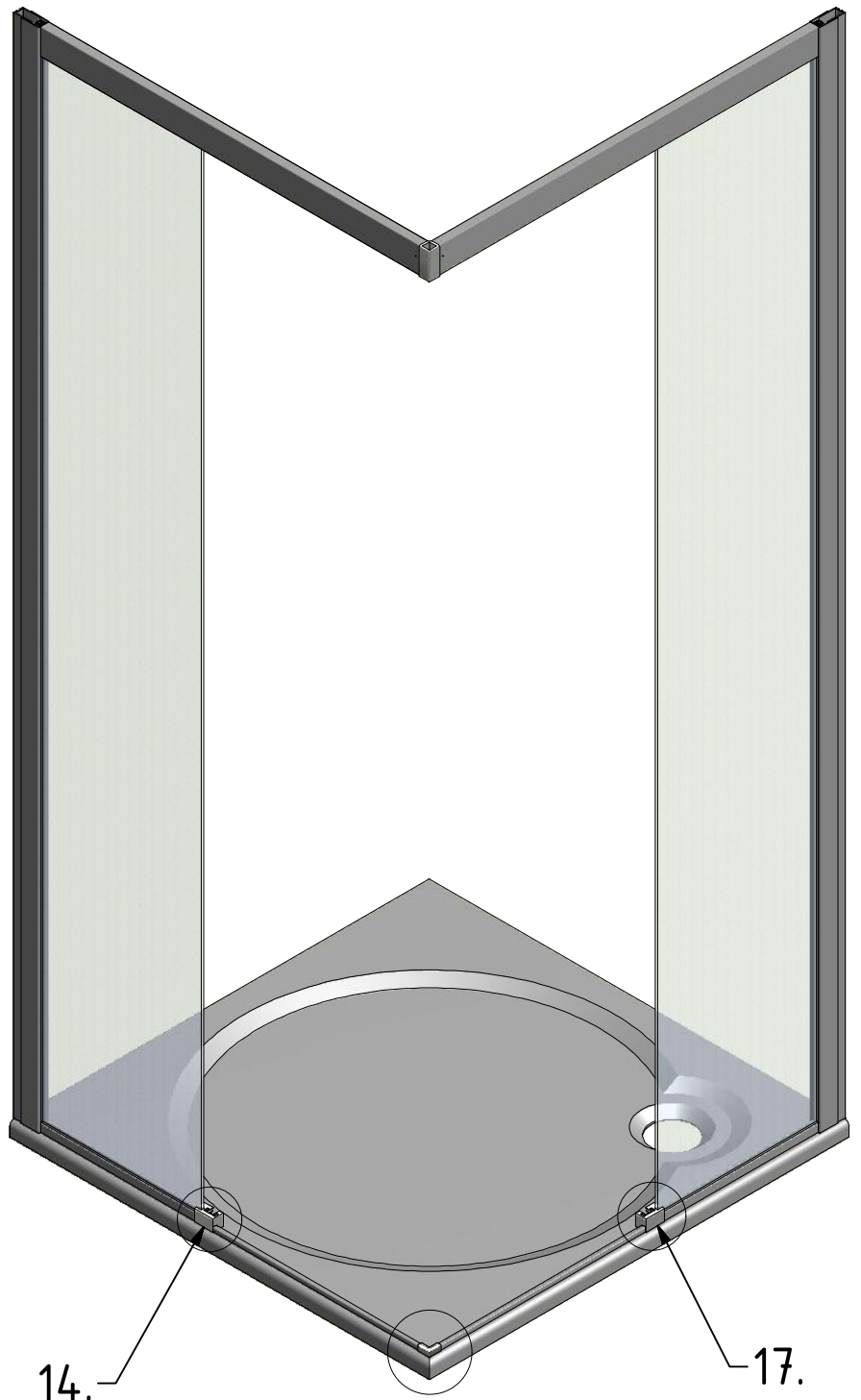
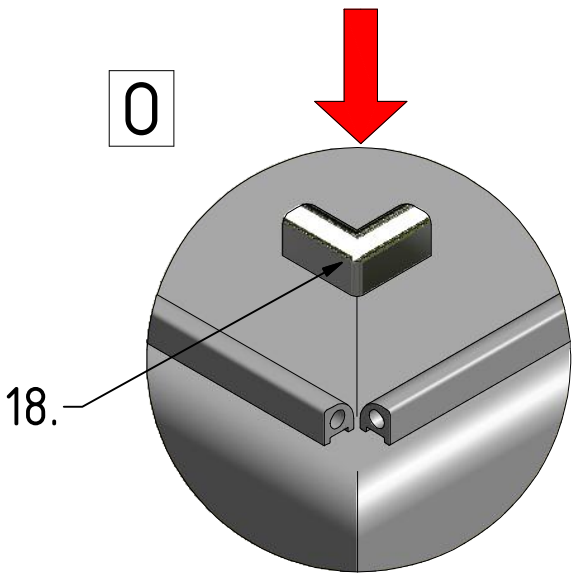
M

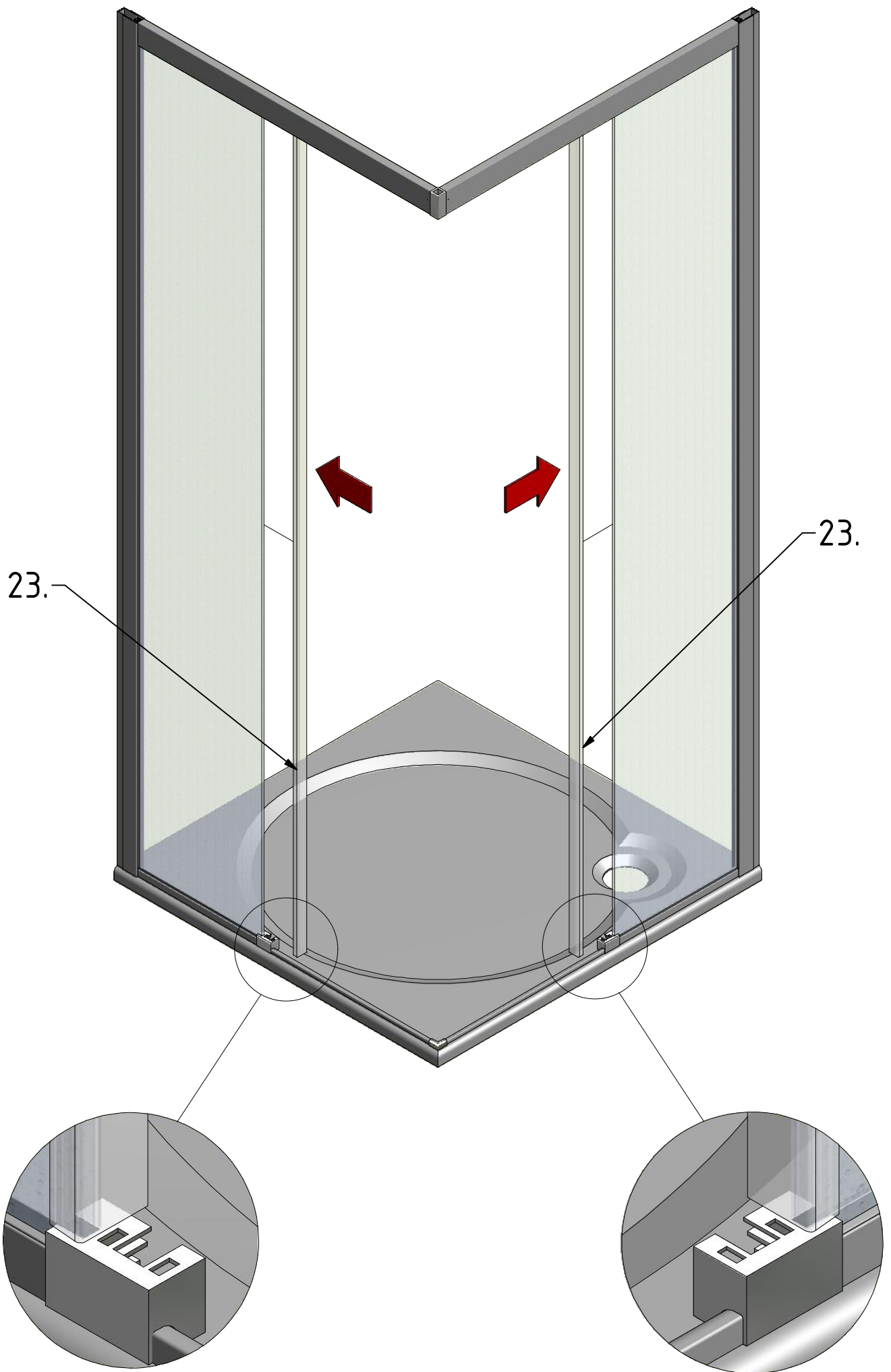


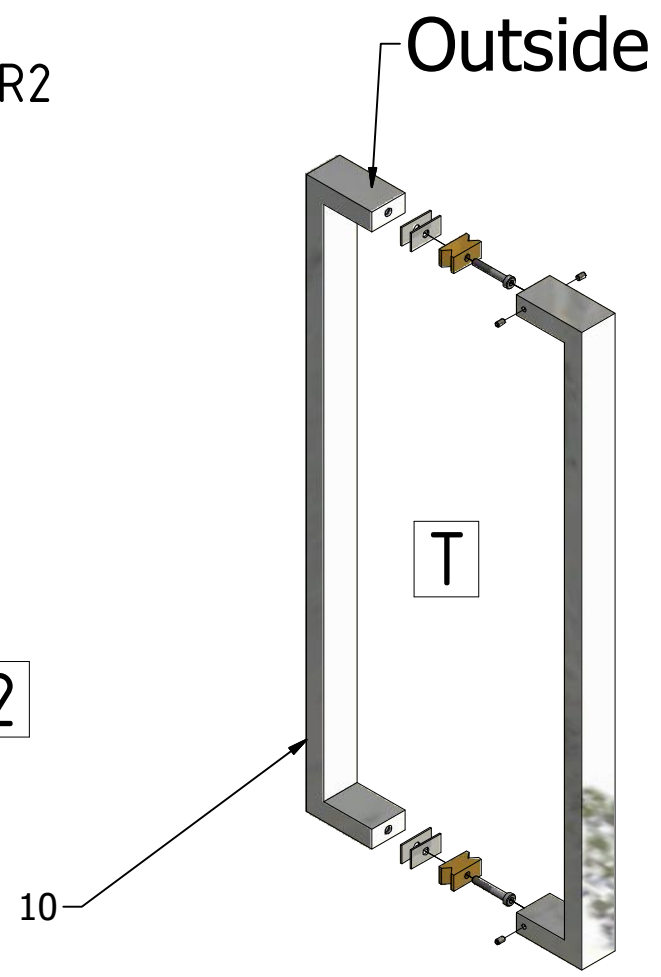
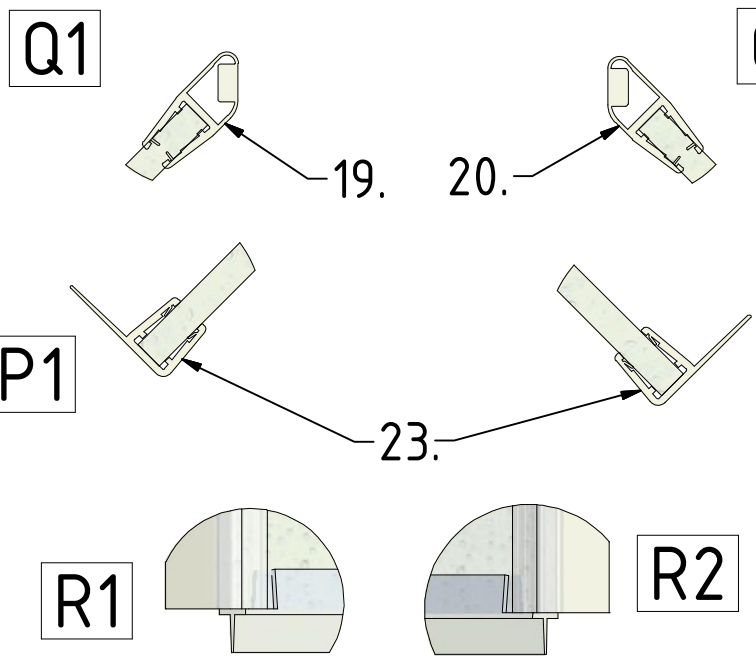
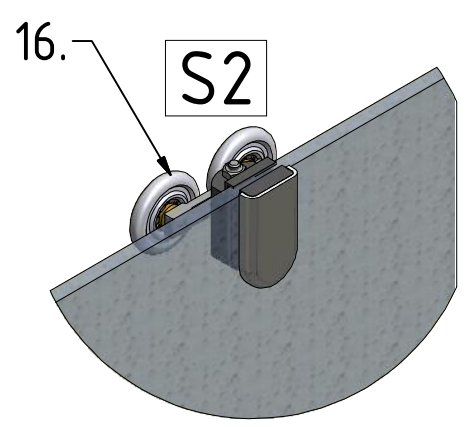
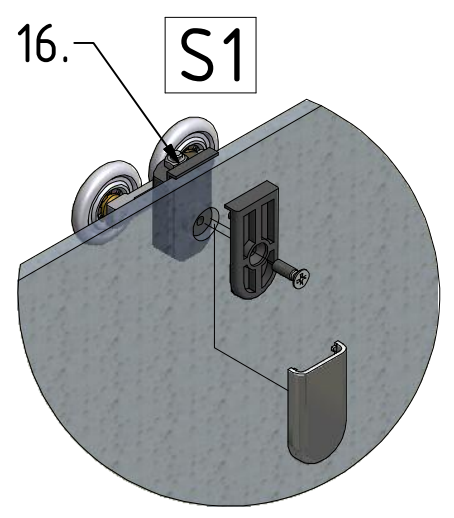
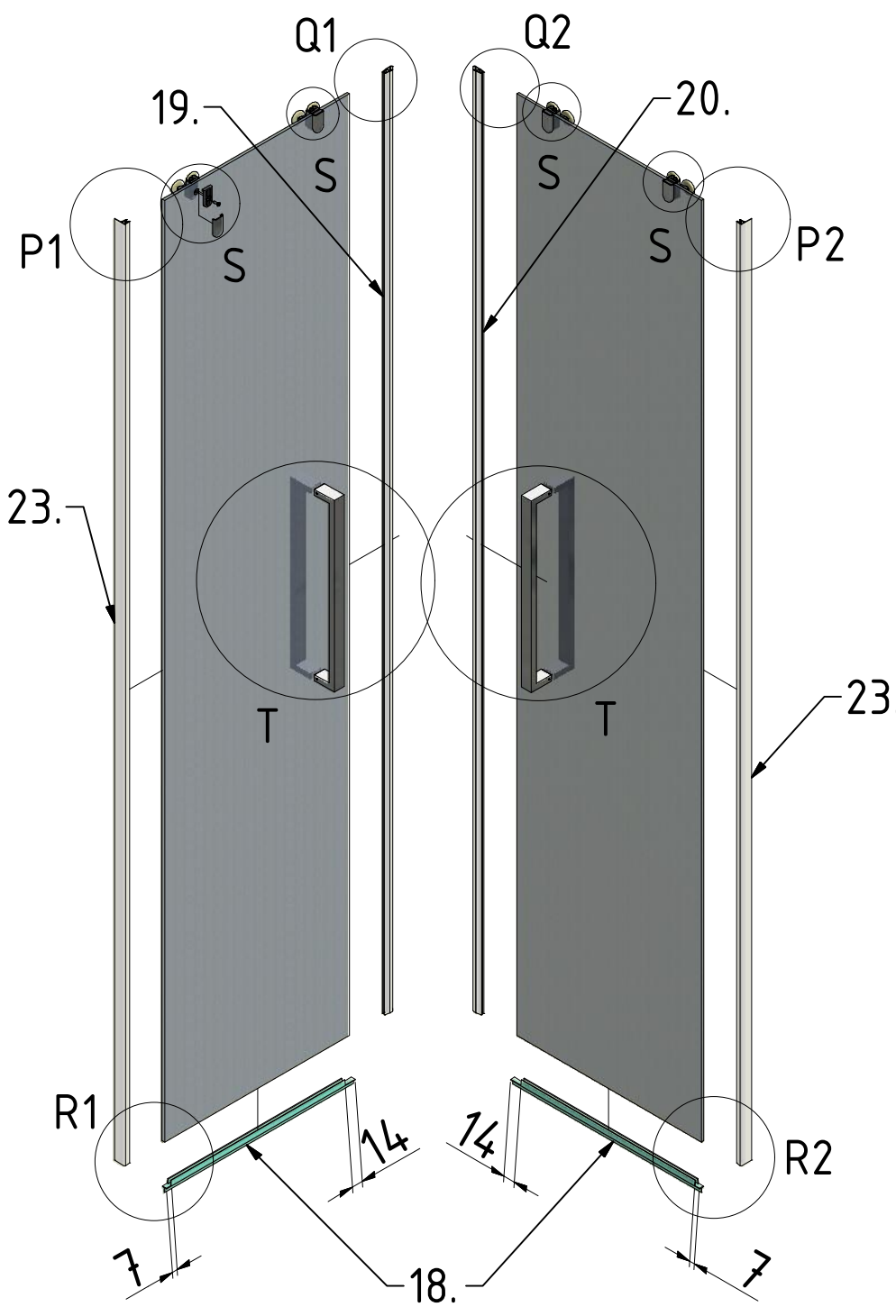
N

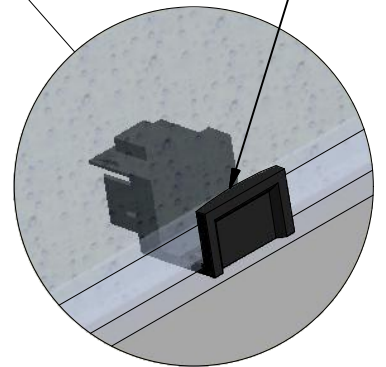
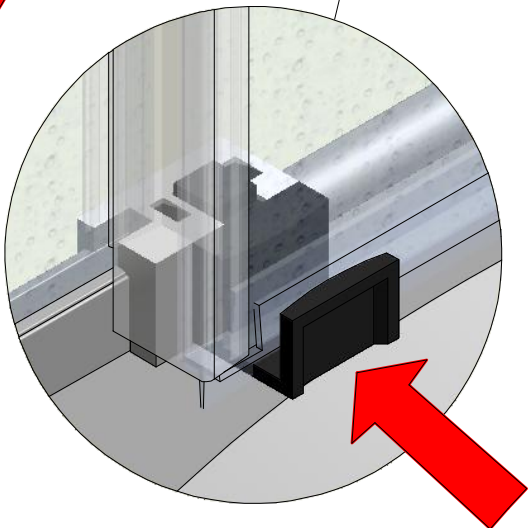
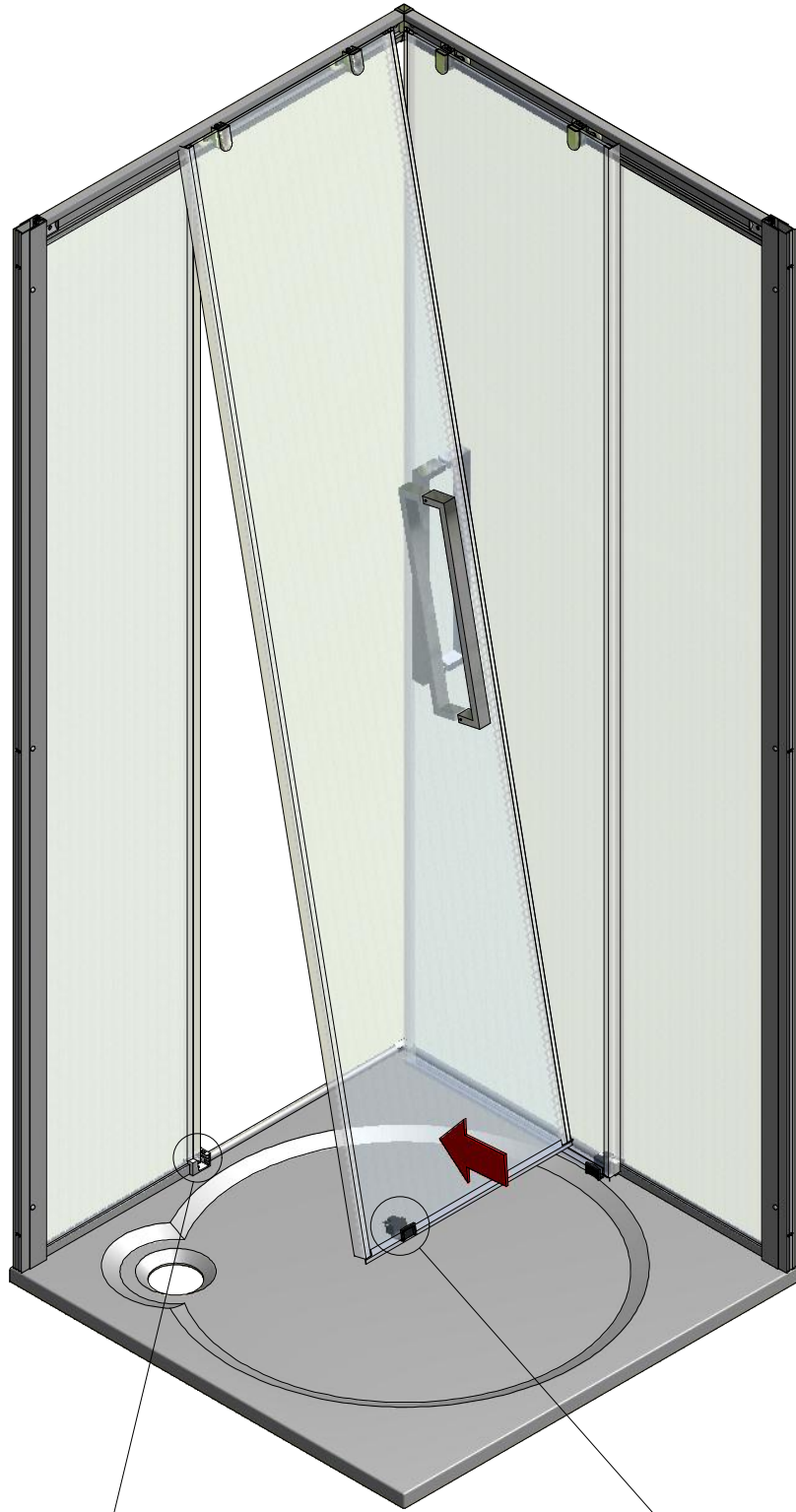


O

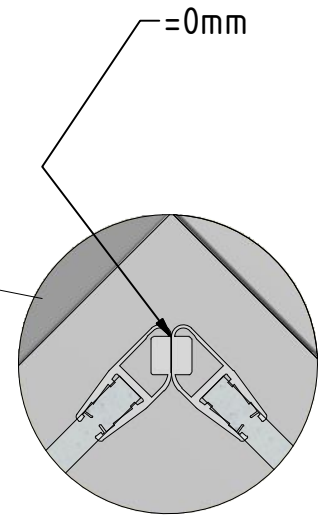
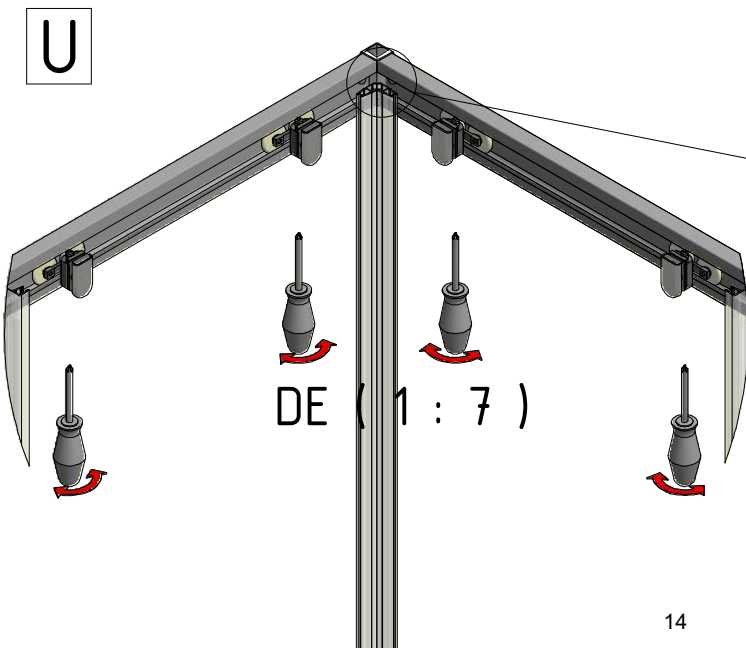
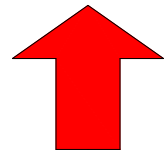
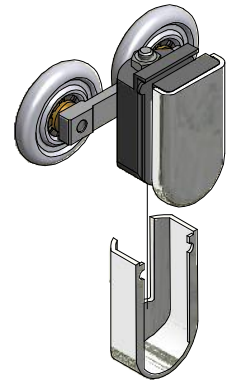
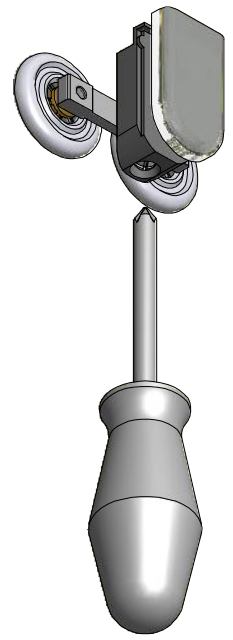






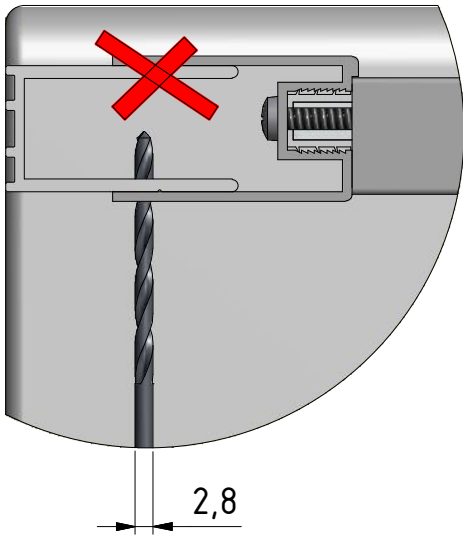


13.

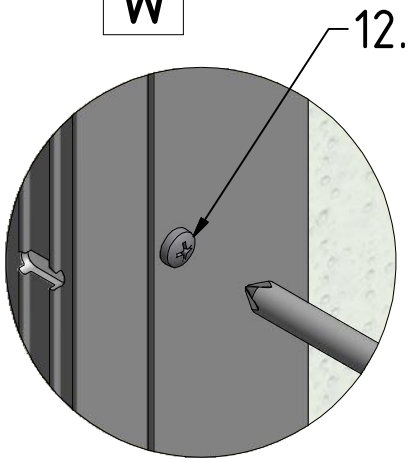


DH (1:1,5)

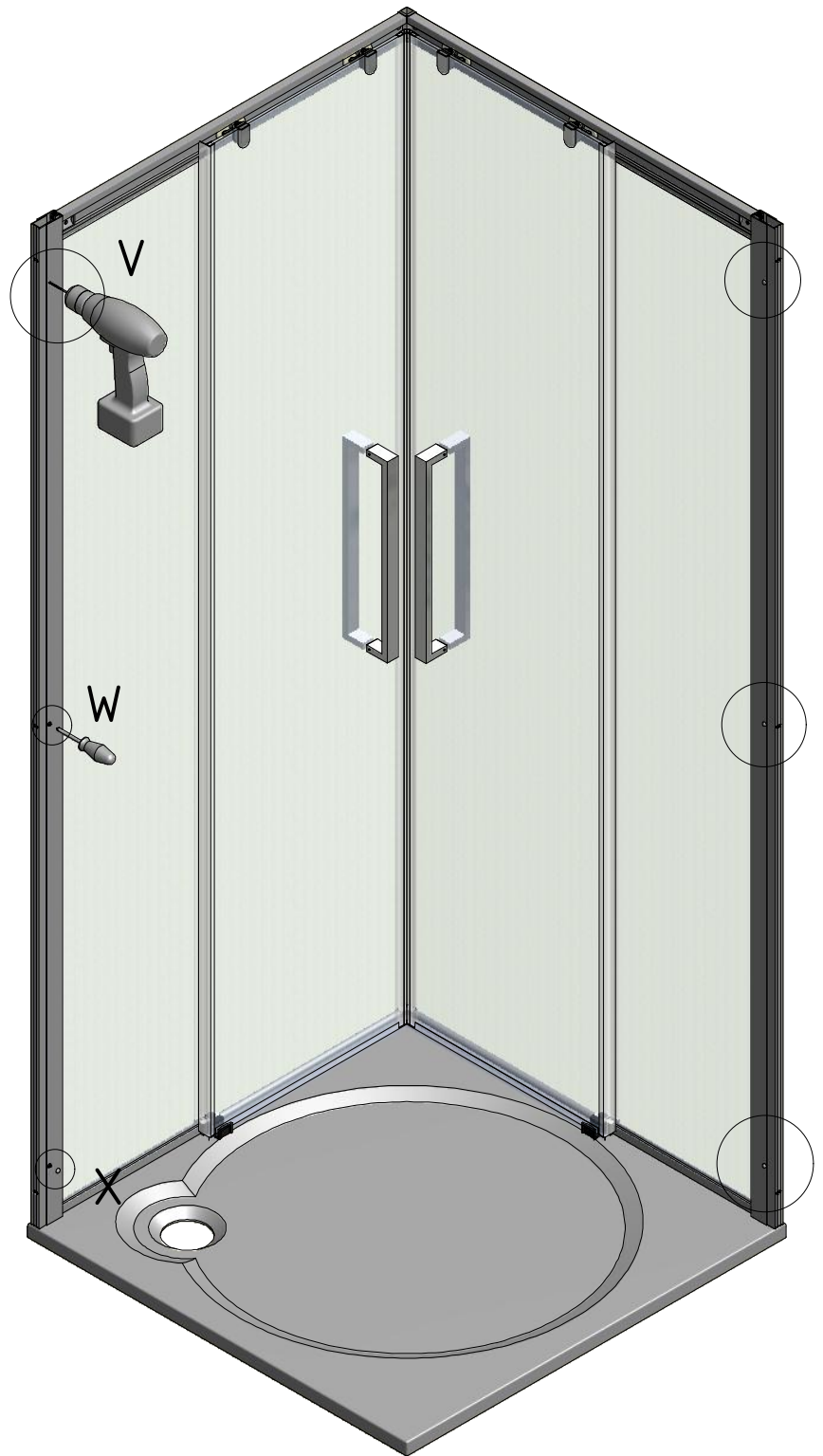
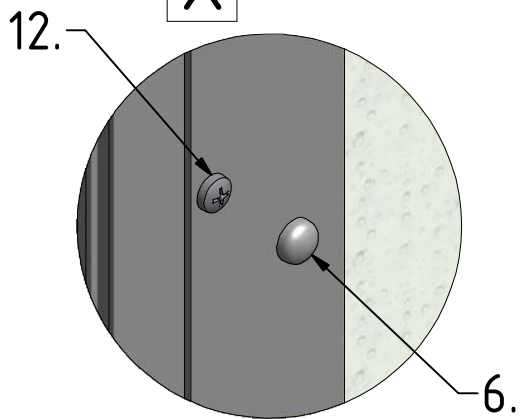
V

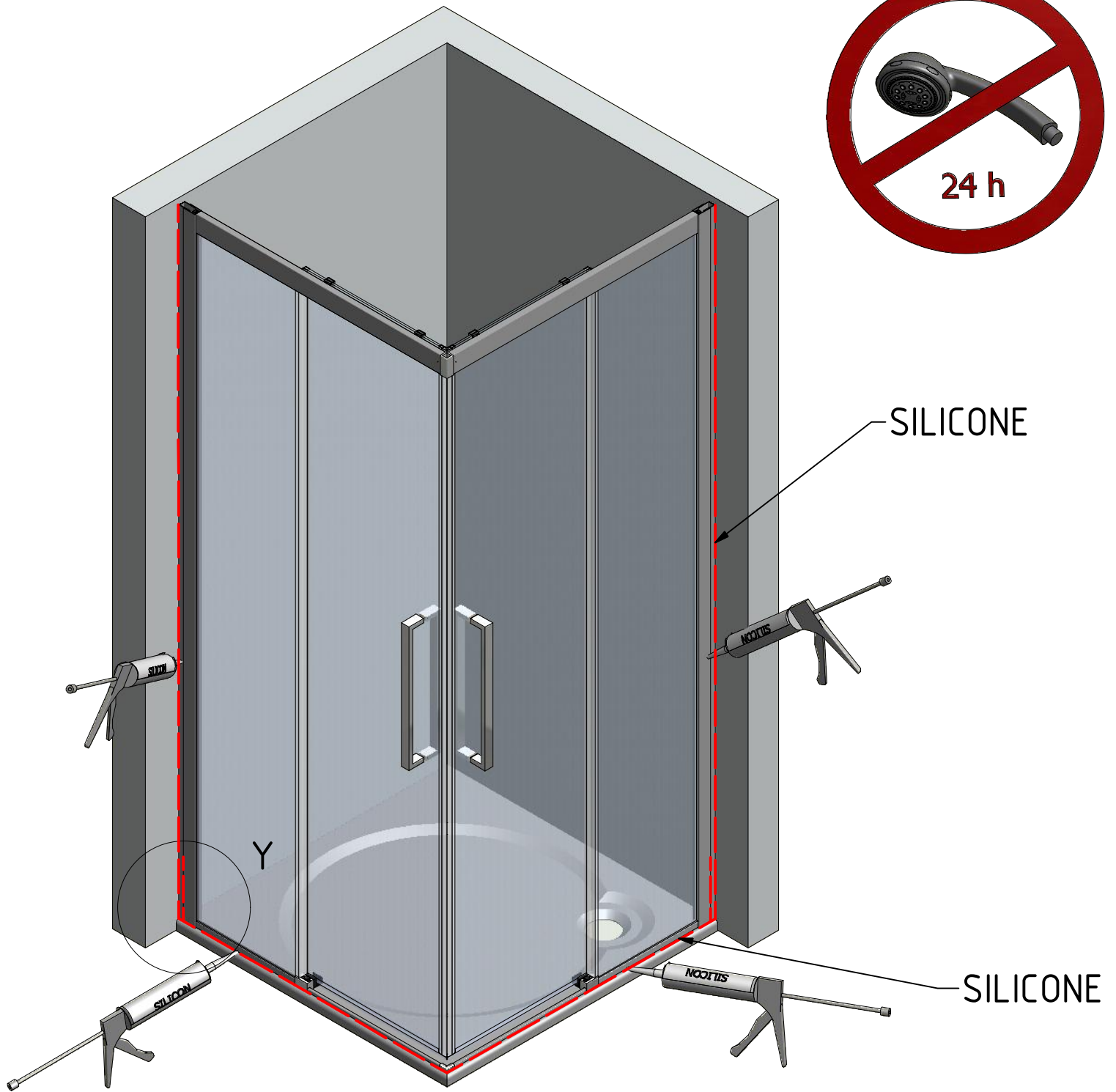


W

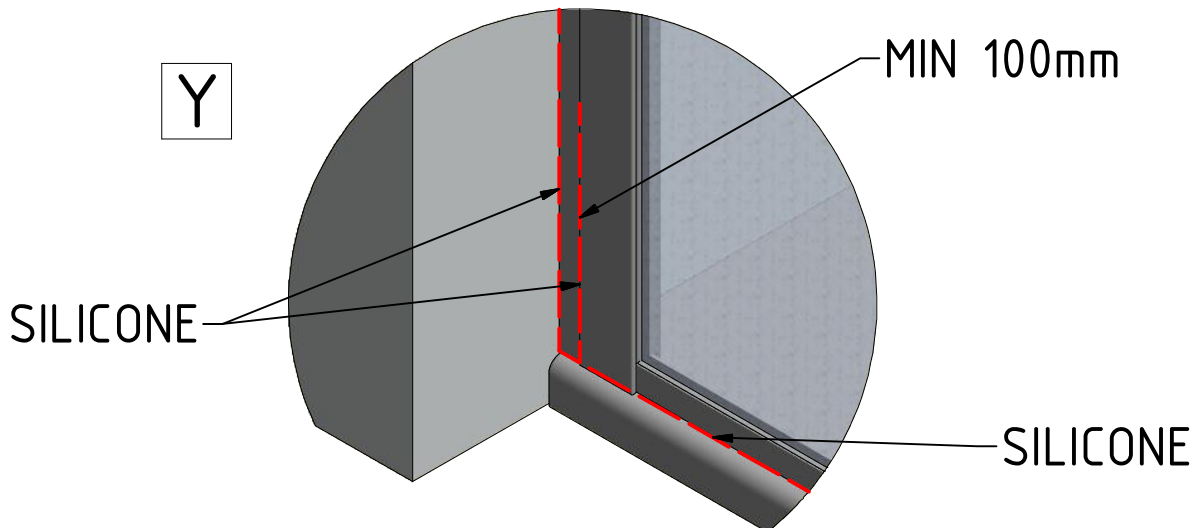


X

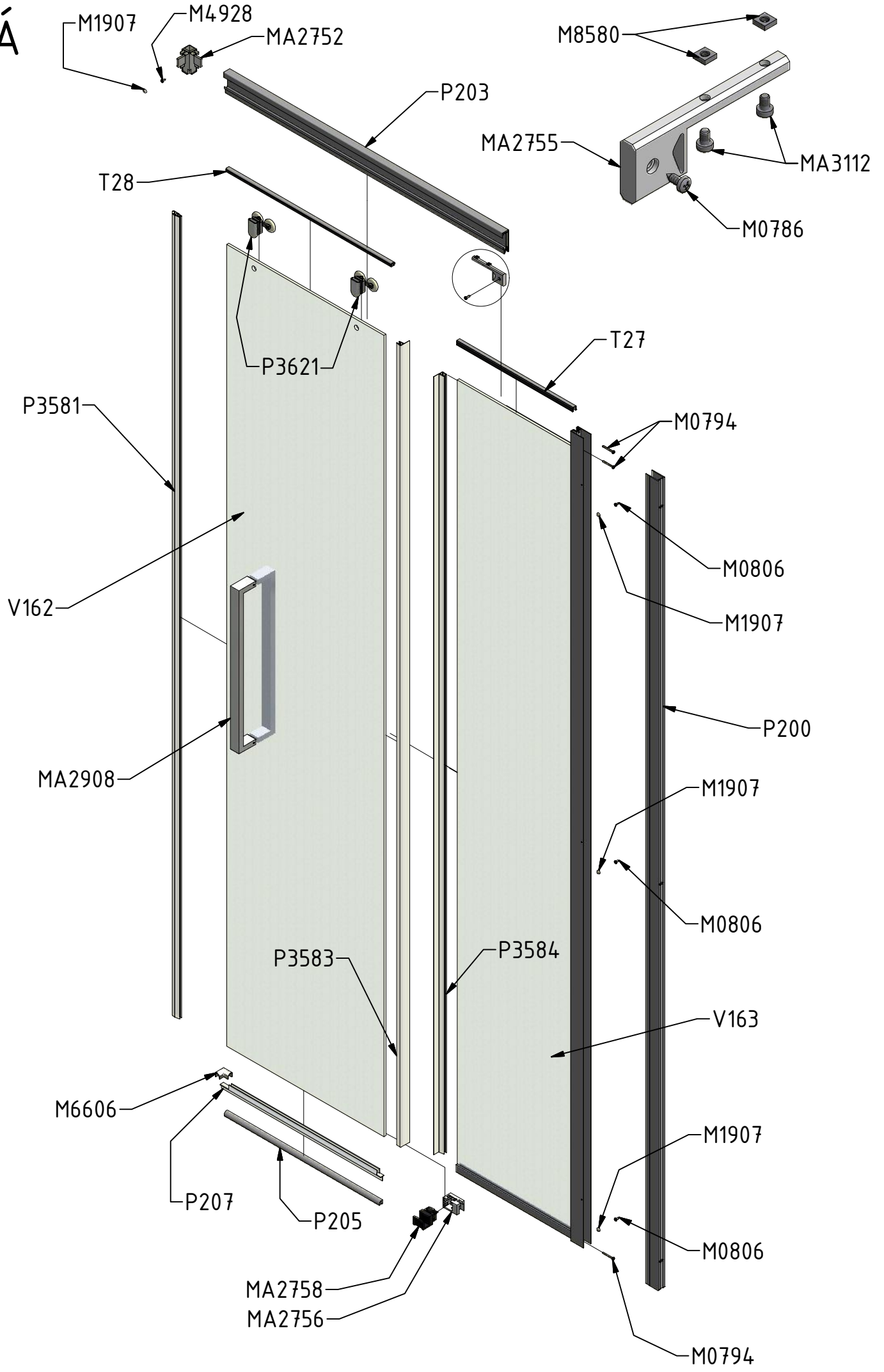




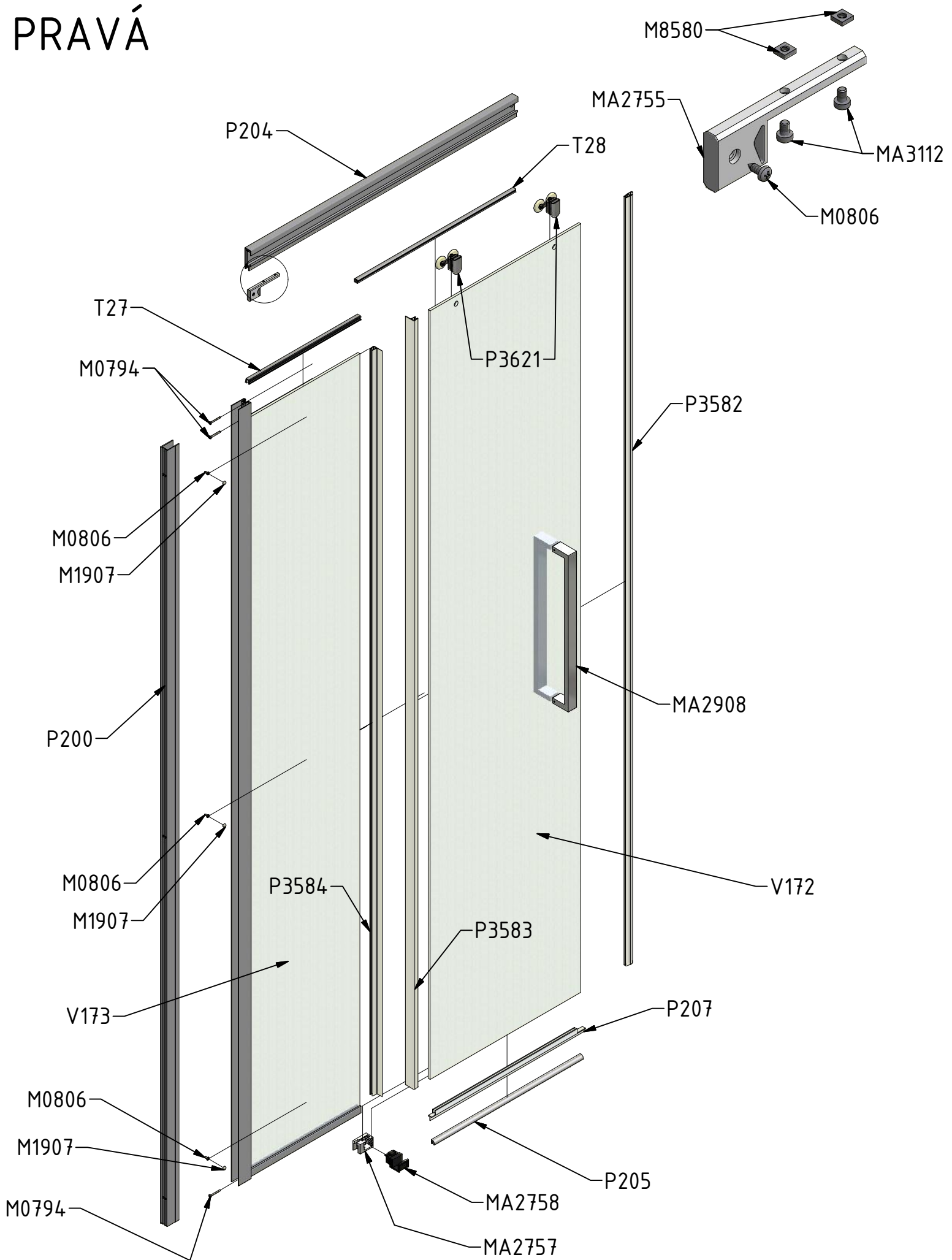
Y



LEVÁ



PRAVÁ



P203	800	black	P3499
	900	black	P3501
	1000	black	P3503
	1100	black	P3505
	1200	black	P3507
	800	brillant	P3498
	900	brillant	P3500
	1000	brillant	P3502
	1100	brillant	P3504
	1200	brillant	P3506

P204	800	black	P3489
	900	black	P3491
	1000	black	P3493
	1100	black	P3495
	1200	black	P3497
	800	brillant	P3488
	900	brillant	P3490
	1000	brillant	P3492
	1100	brillant	P3494
	1200	brillant	P3496

P205	800	black	P3523
	900	black	P3525
	1000	black	P3527
	1100	black	P3529
	1200	black	P3531
	800	brillant	P3522
	900	brillant	P3524
	1000	brillant	P3526
	1100	brillant	P3528
	1200	brillant	P3530

P207			ECS2P/ECS2L
	800		P3585/P3829
	900		P3586/P3830
	1000		P3587/P3831
	1100		P3588/P3832
	1200		P3589/P3833

V162	800	clear glass	ND02-0708-02
	900	clear glass	ND02-0709-02
	1000	clear glass	ND02-0710-02
	1100	clear glass	ND02-0711-02
	1200	clear glass	ND02-0712-02

V172	800	clear glass	ND02-0713-02
	900	clear glass	ND02-0714-02
	1000	clear glass	ND02-0715-02
	1100	clear glass	ND02-0716-02
	1200	clear glass	ND02-0717-02

V163	800	black	ND03-0598-05-02
	900	black	ND03-0612-05-02
	1000	black	ND03-0613-05-02
	1100	black	ND03-0614-05-02
	1200	black	ND03-0615-05-02
	800	brillant	ND03-0602-00-02
	900	brillant	ND03-0620-00-02
	1000	brillant	ND03-0621-00-02
	1100	brillant	ND03-0622-00-02
	1200	brillant	ND03-0623-00-02

V173	800	black	ND03-0600-05-02
	900	black	ND03-0616-05-02
	1000	black	ND03-0617-05-02
	1100	black	ND03-0618-05-02
	1200	black	ND03-0619-05-02
	800	brillant	ND03-0604-00-02
	900	brillant	ND03-0624-00-02
	1000	brillant	ND03-0625-00-02
	1100	brillant	ND03-0626-00-02
	1200	brillant	ND03-0627-00-02

T27			ND01-3223
-----	--	--	-----------

T28			ND01-3224
-----	--	--	-----------

P200		black	P3485
		brillant	P3484