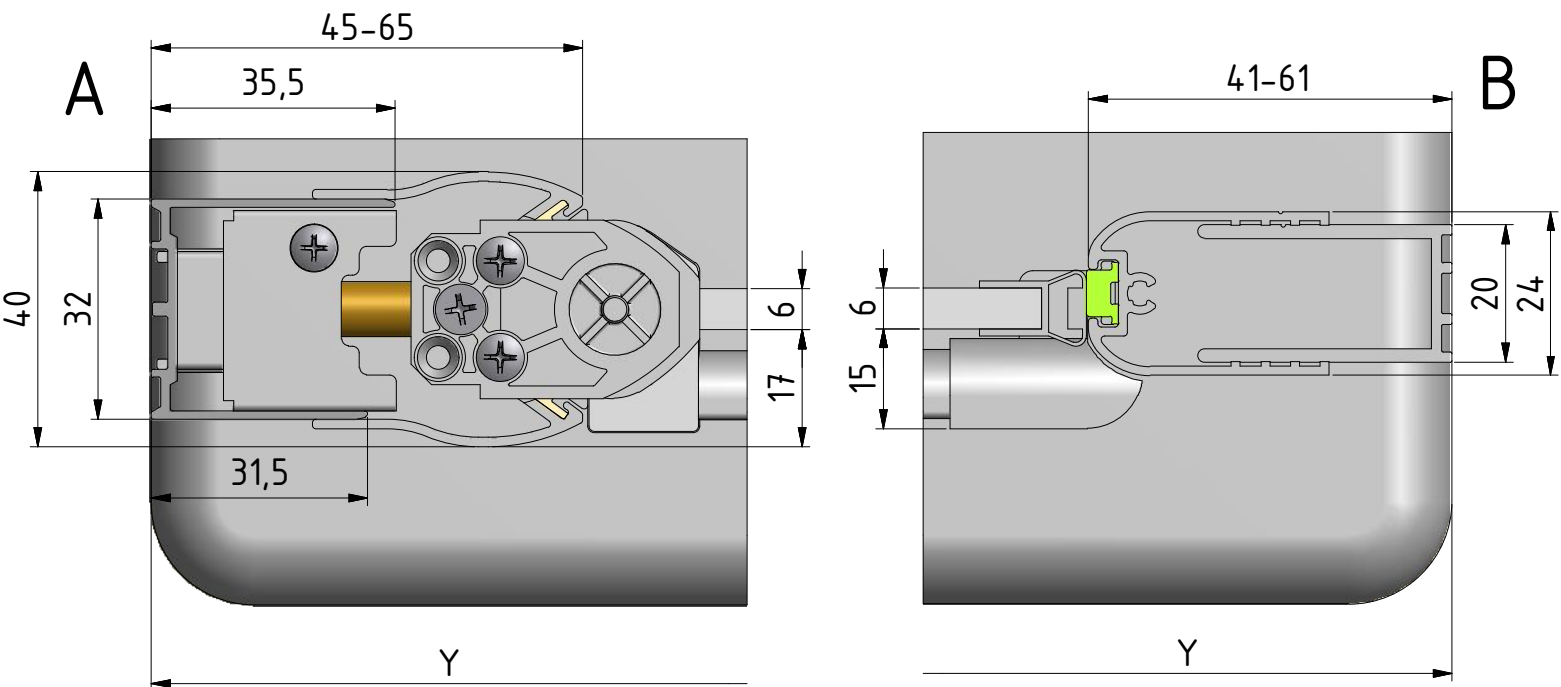
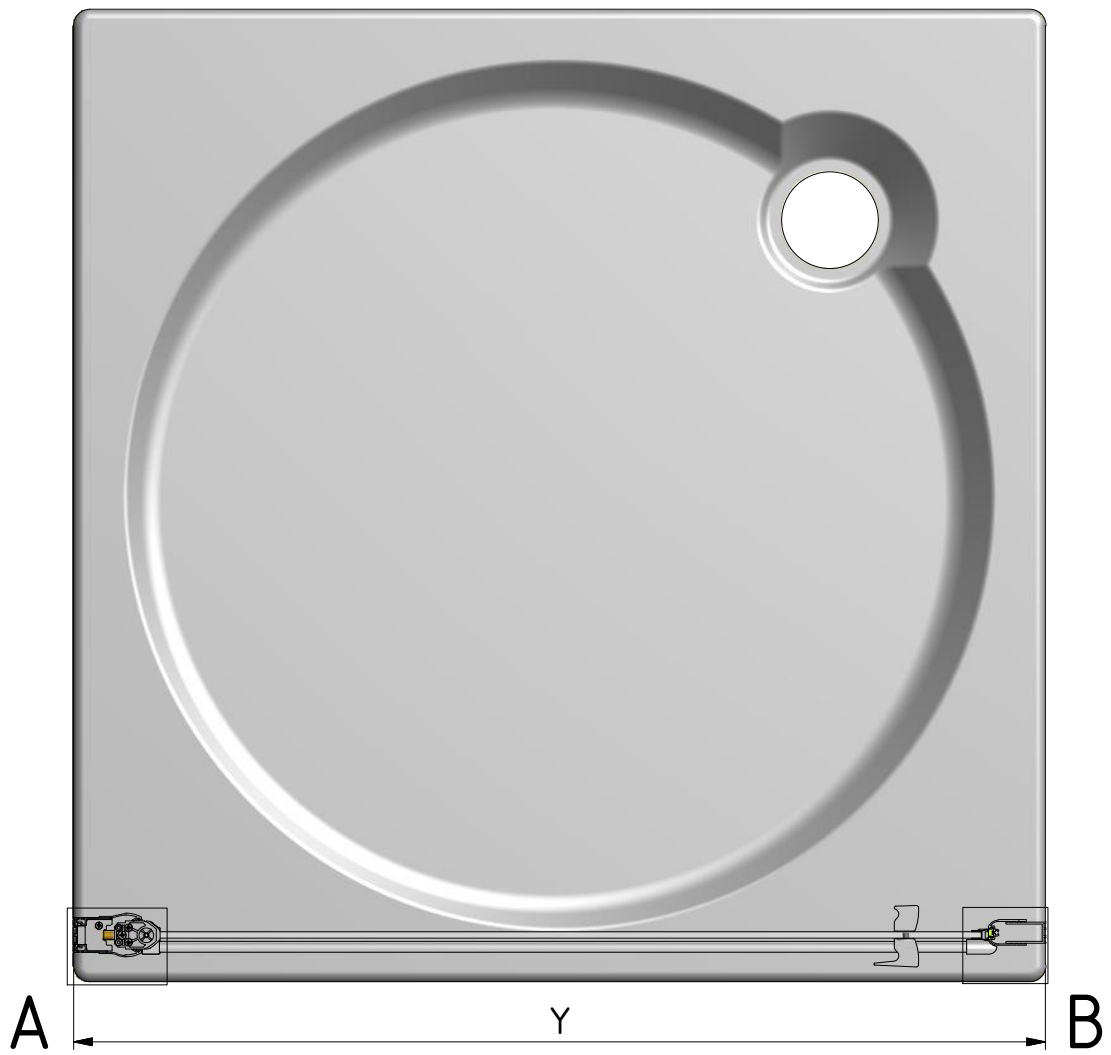
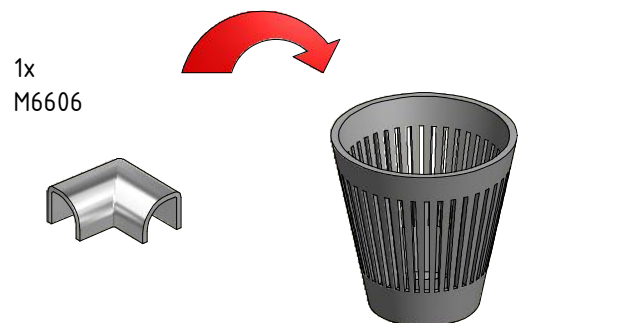
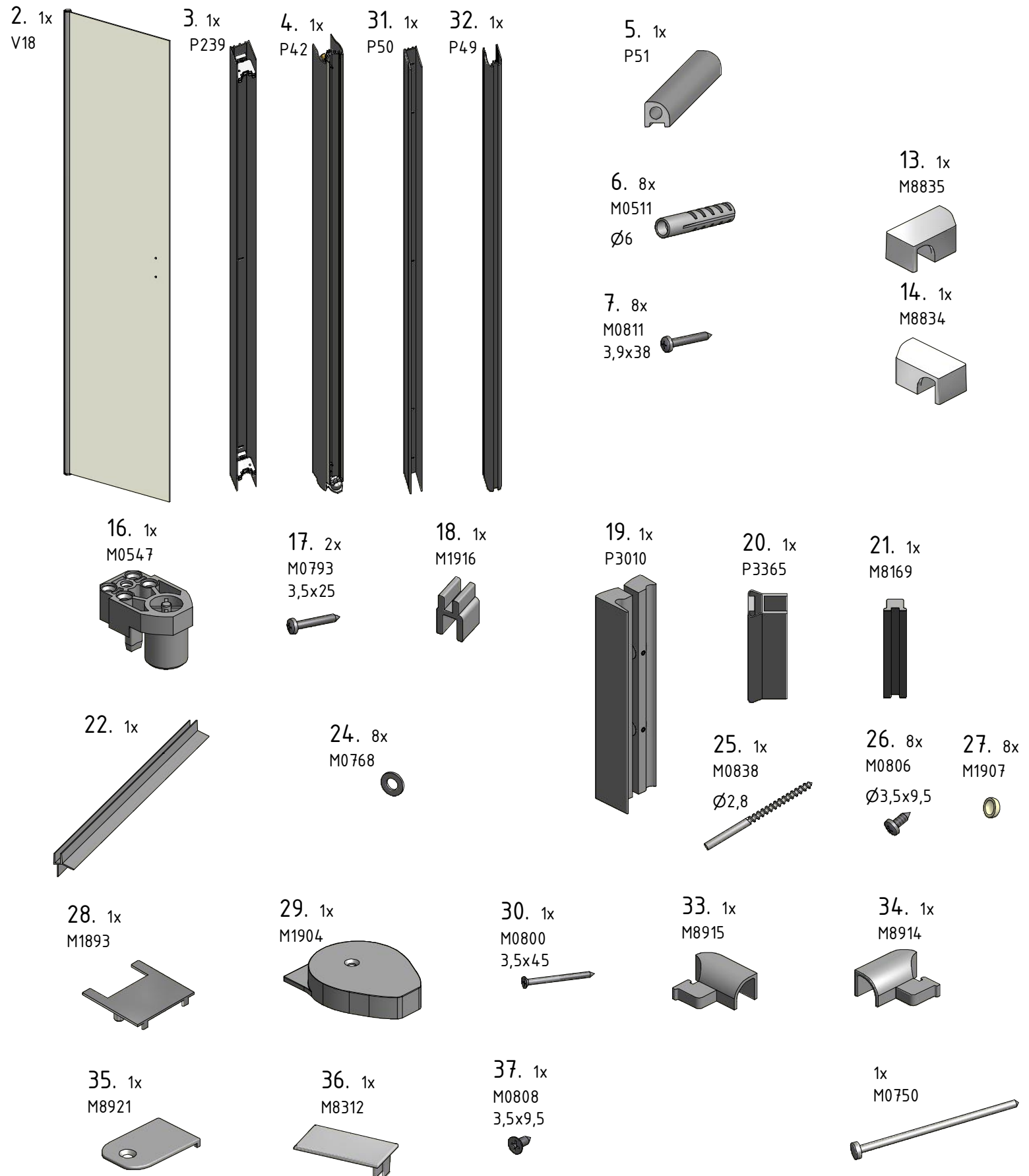


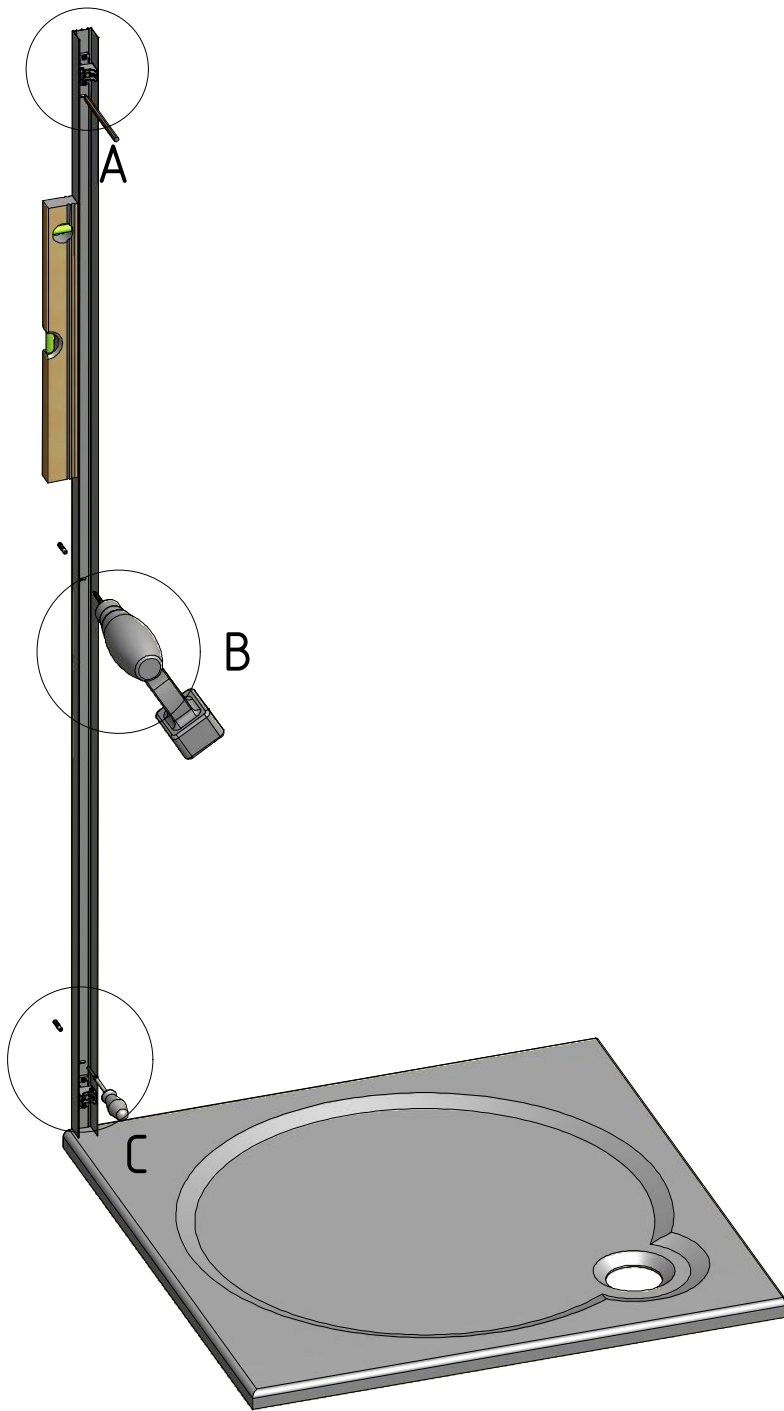
TCN1



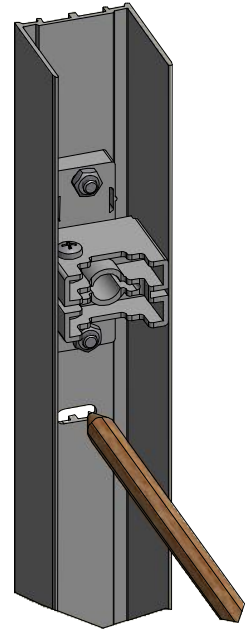


| TCN1 | Y |
|------|----------|
| 800 | 775-810 |
| 900 | 875-910 |
| 1000 | 975-1010 |

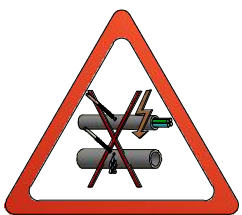
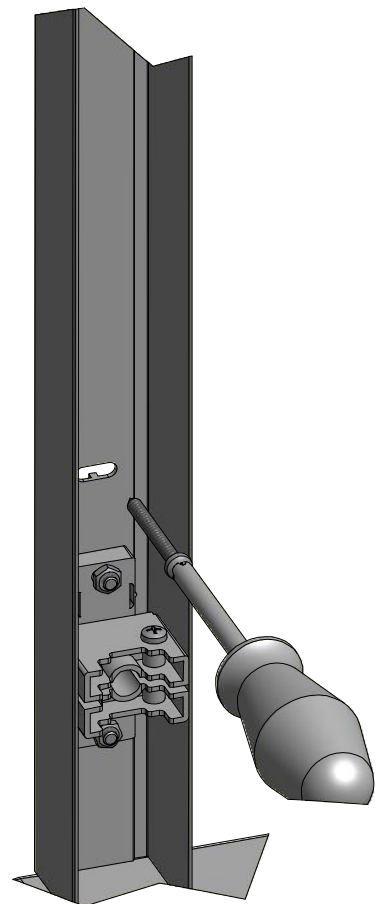




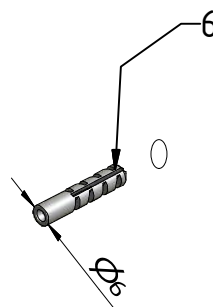
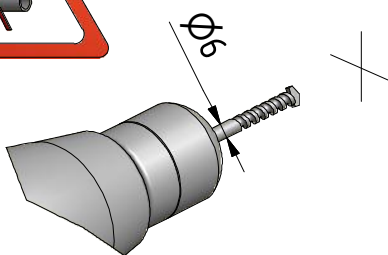
A (1 : 2)

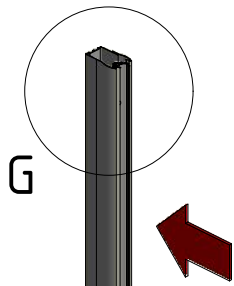


C (1 : 2)

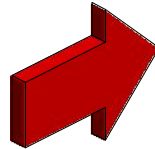


B1

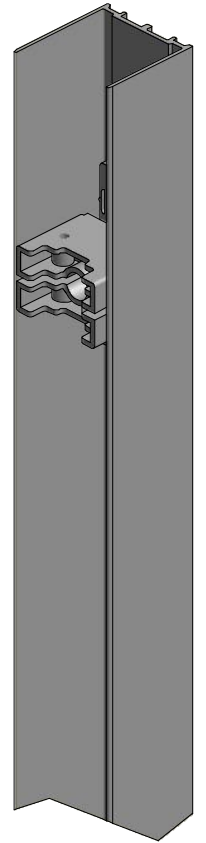




G1



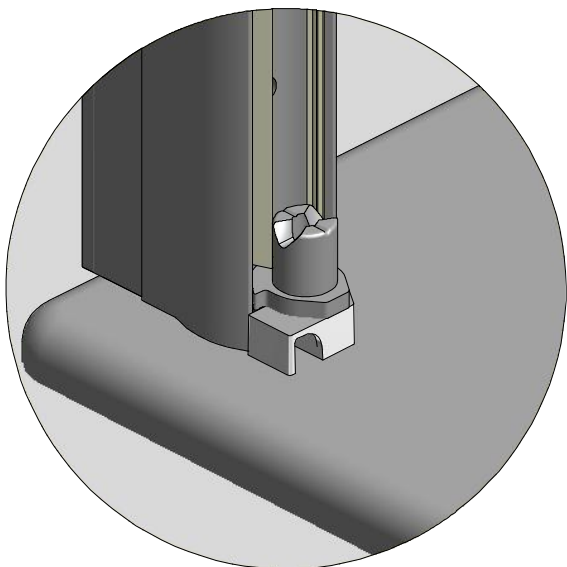
4



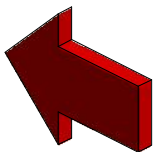
F

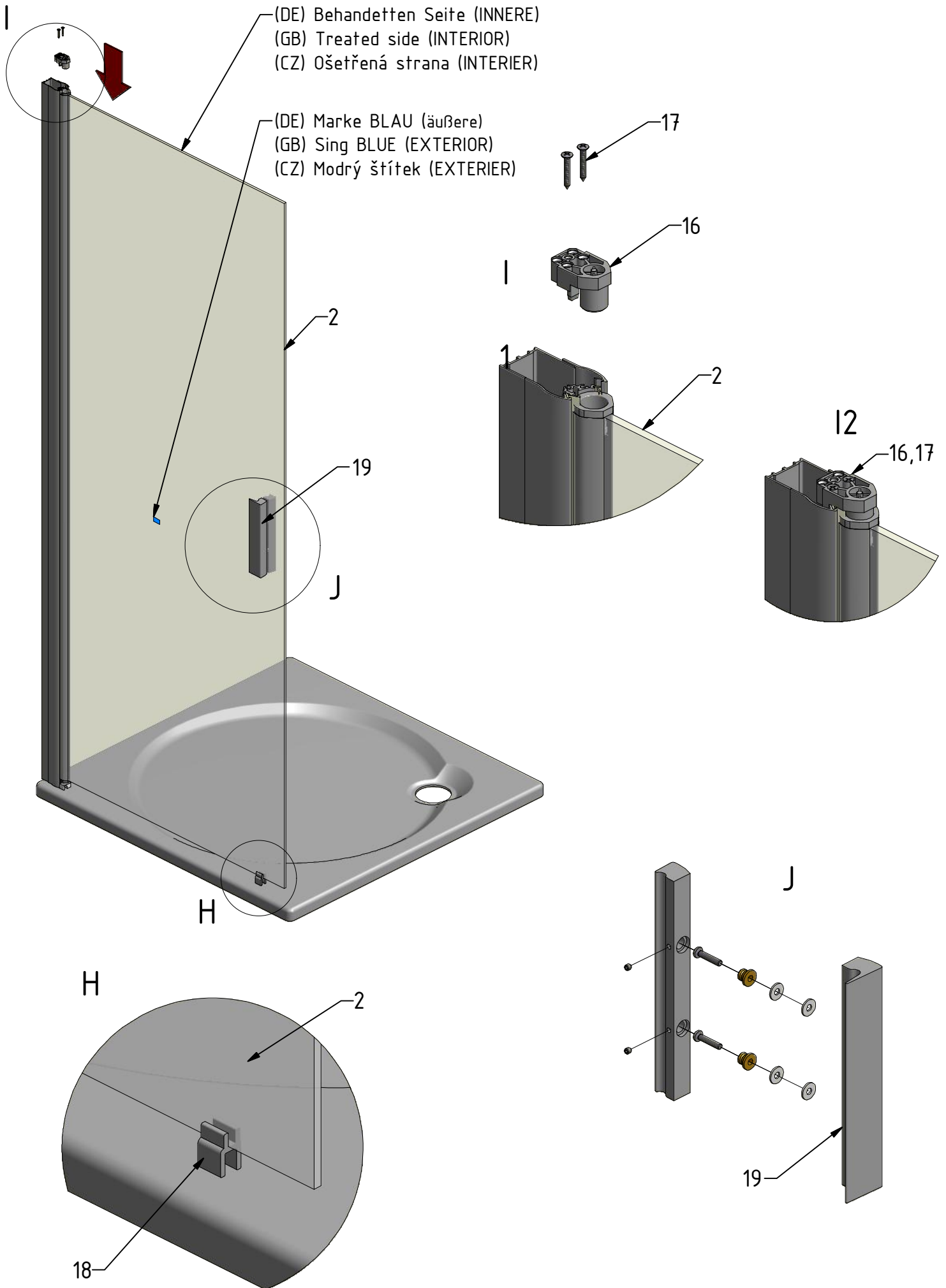
G2

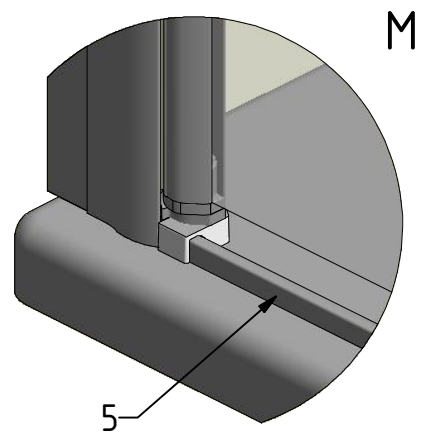
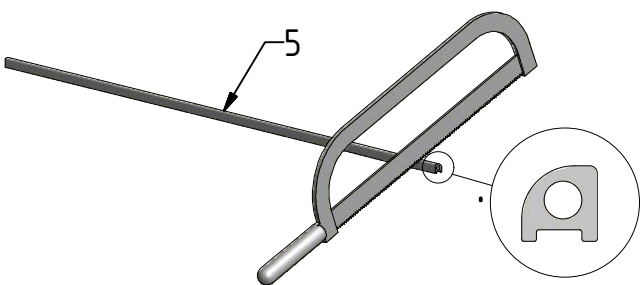
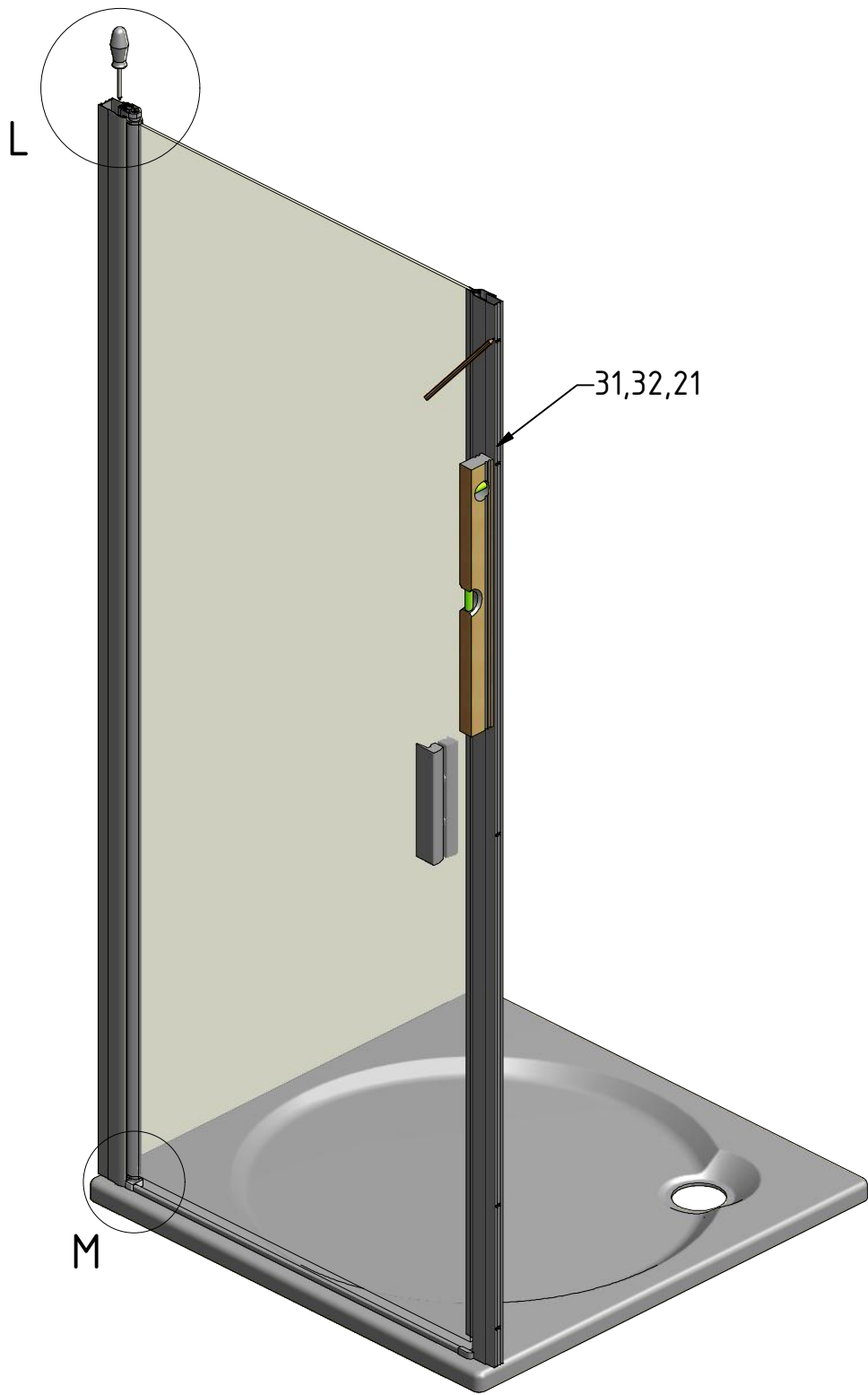
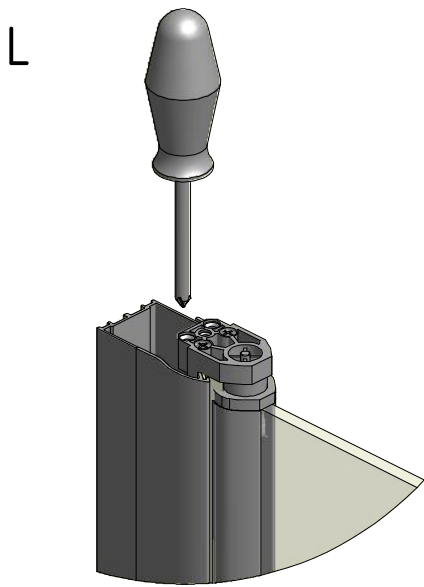
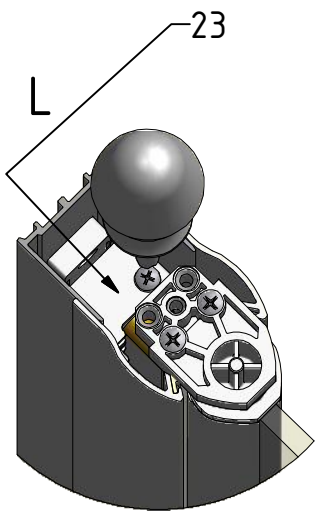
F

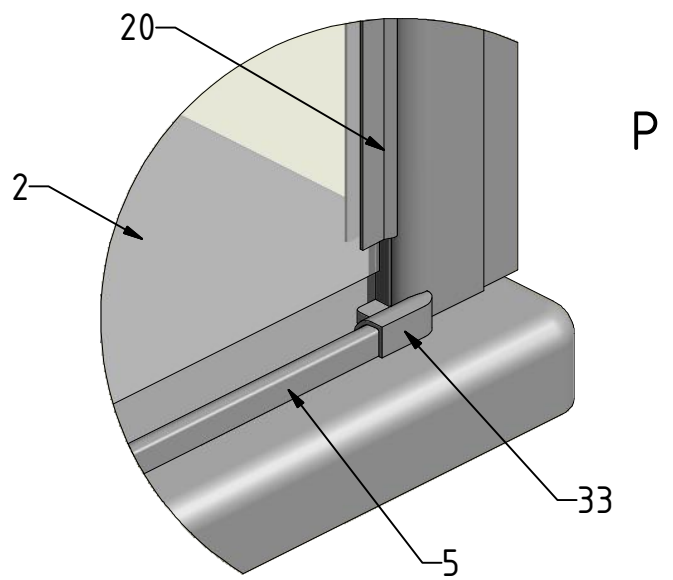
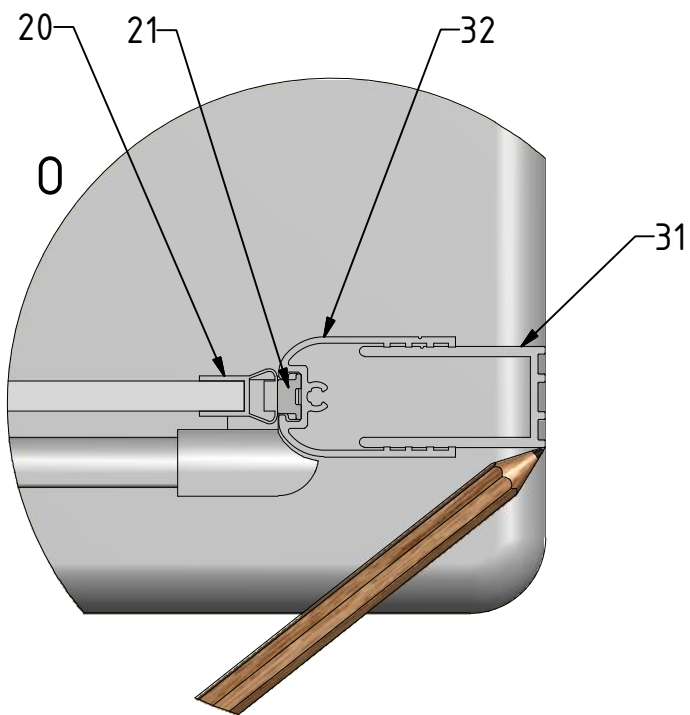
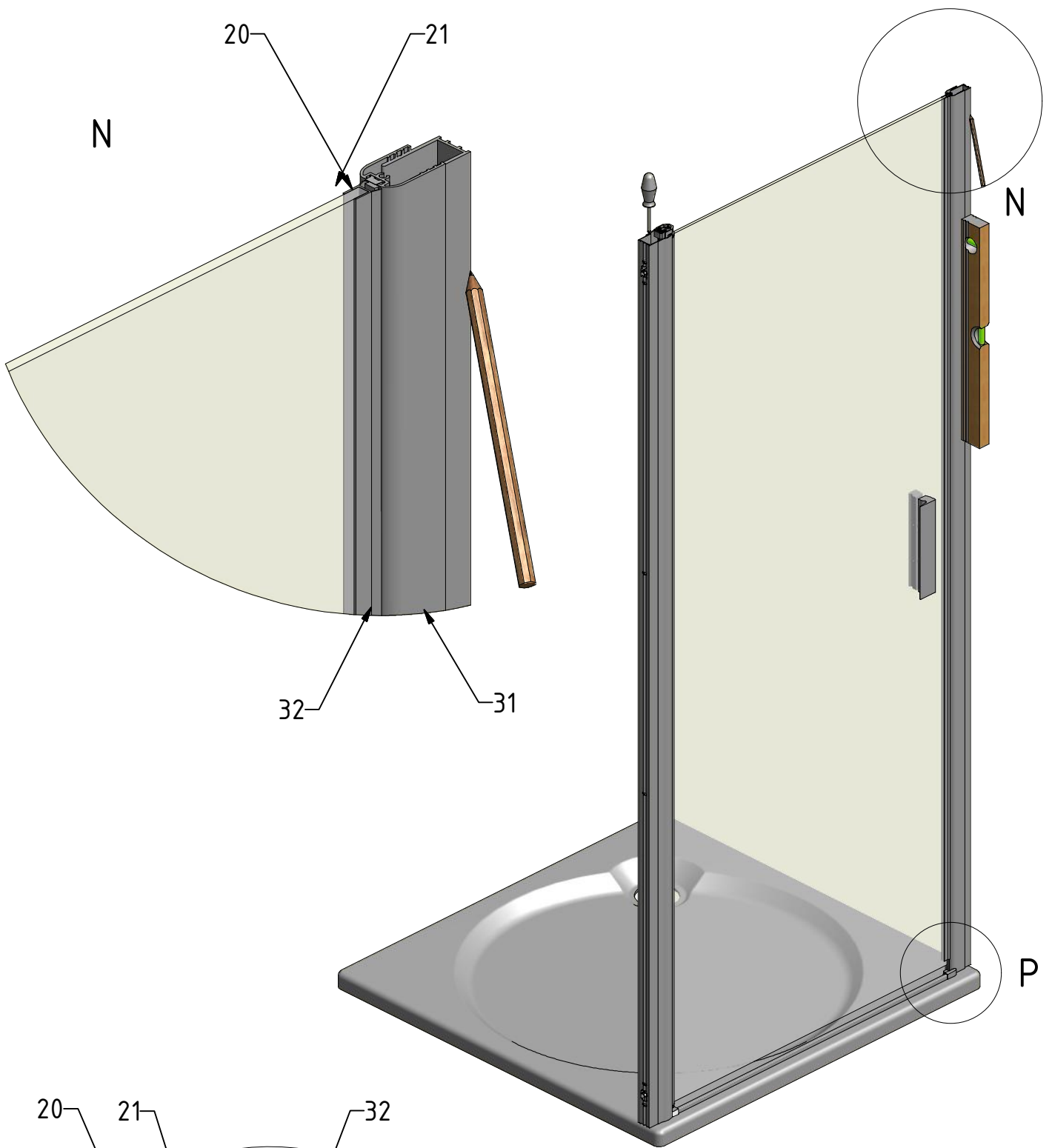


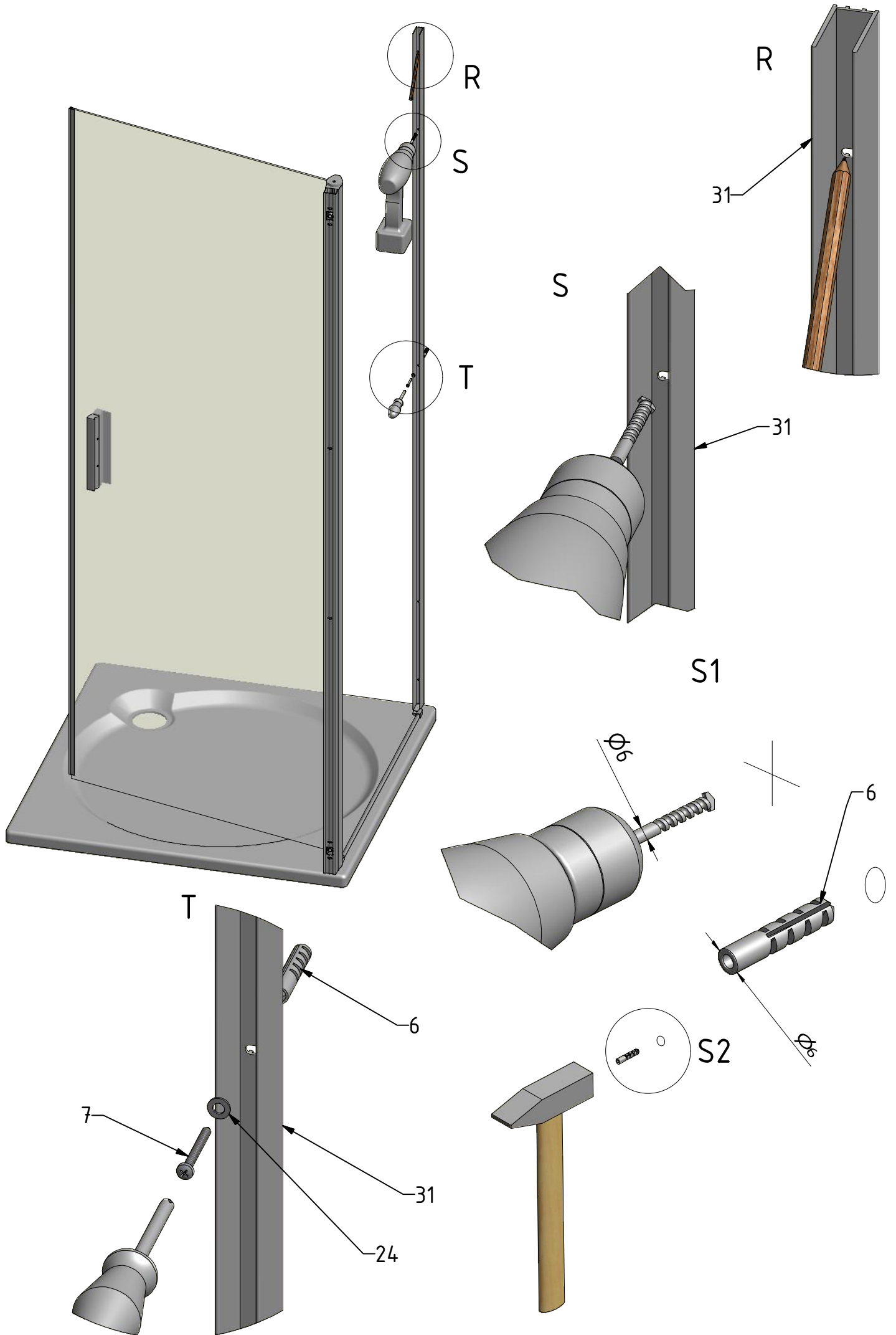
4

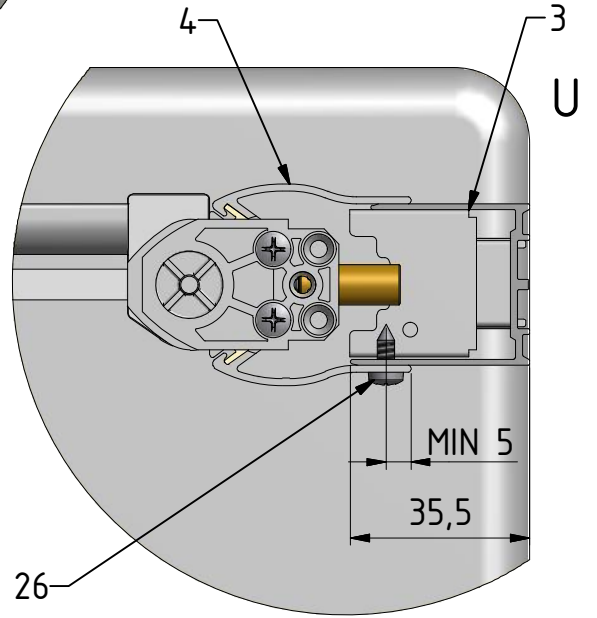
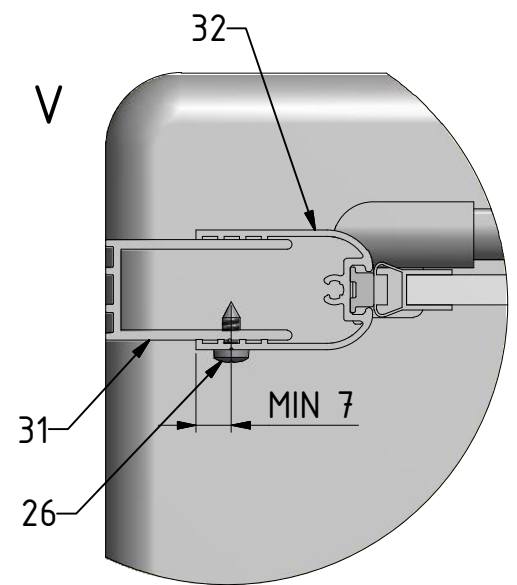
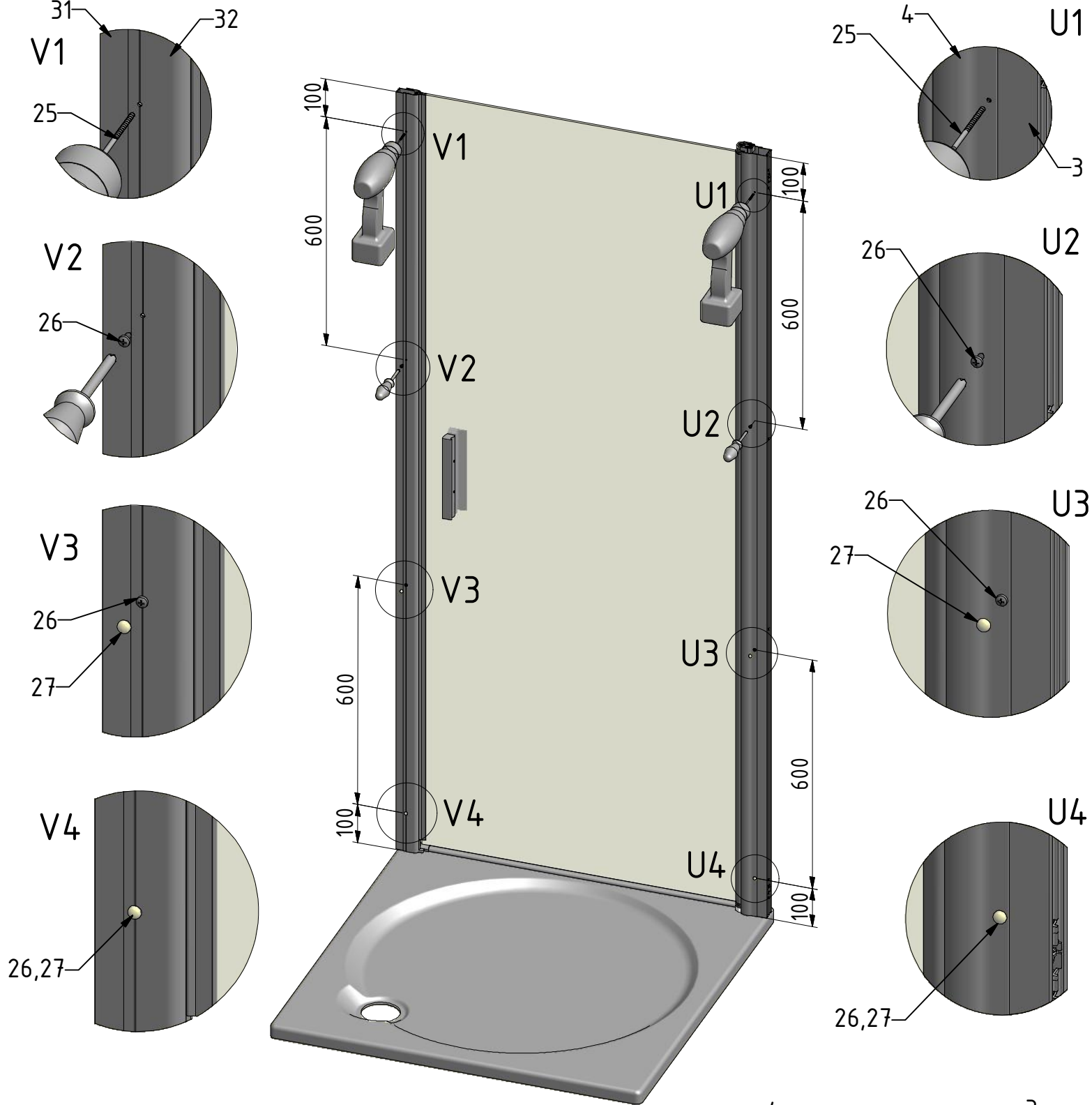


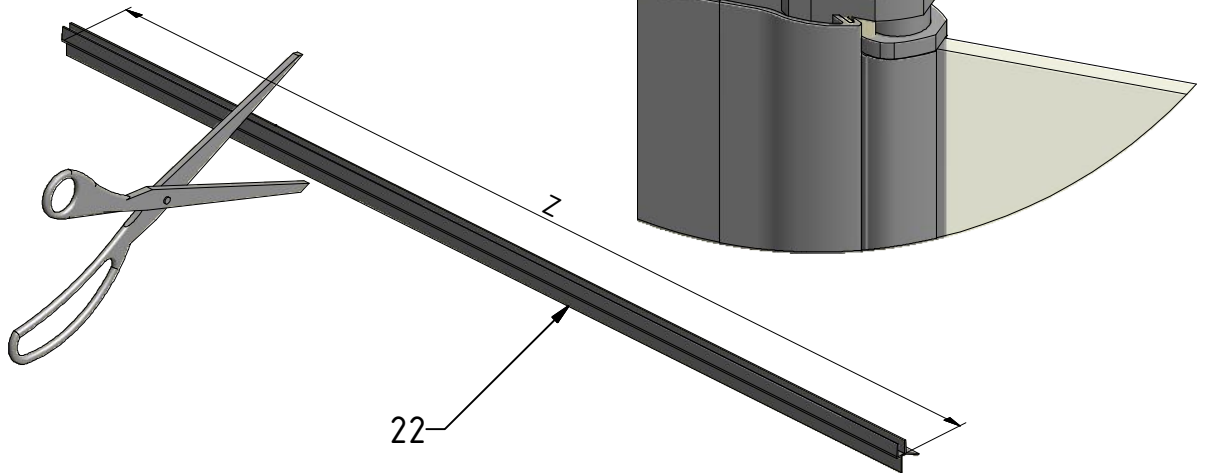
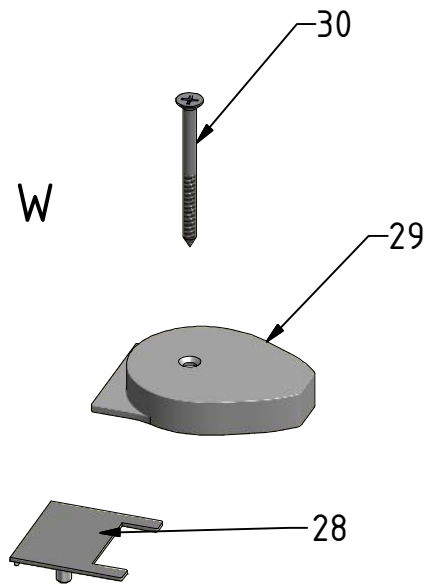
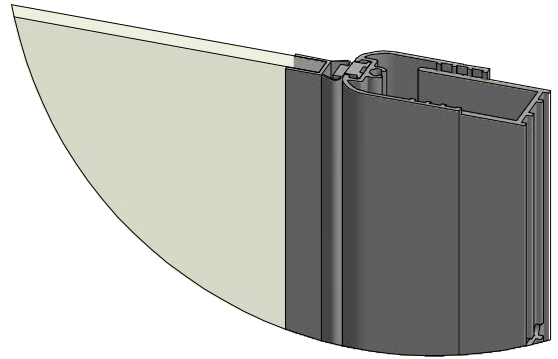
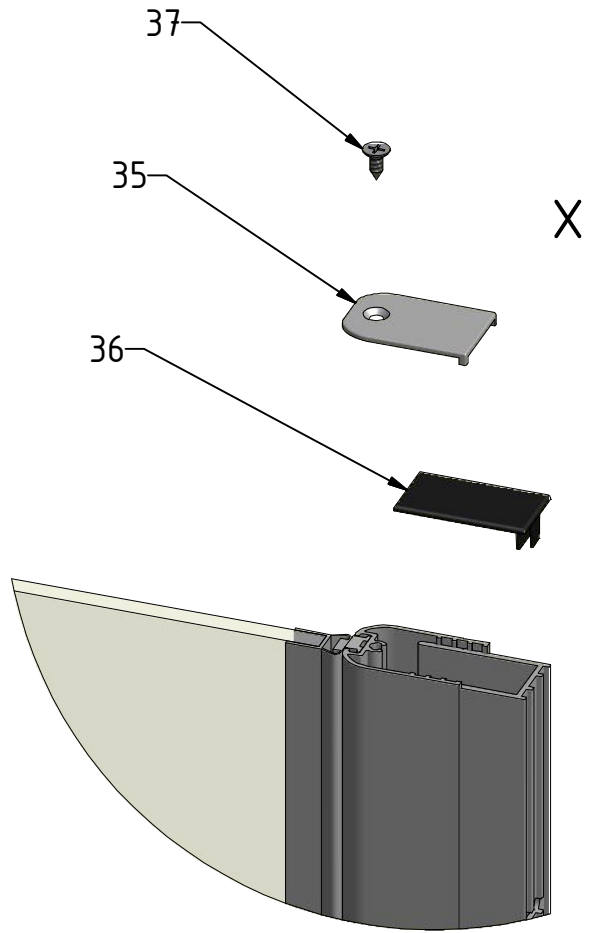


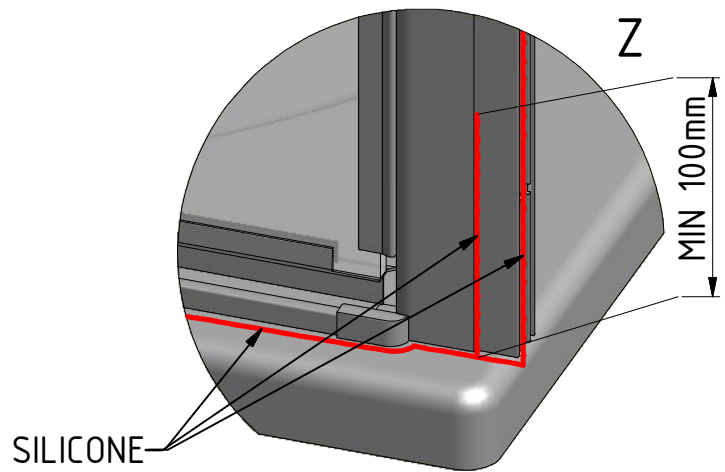
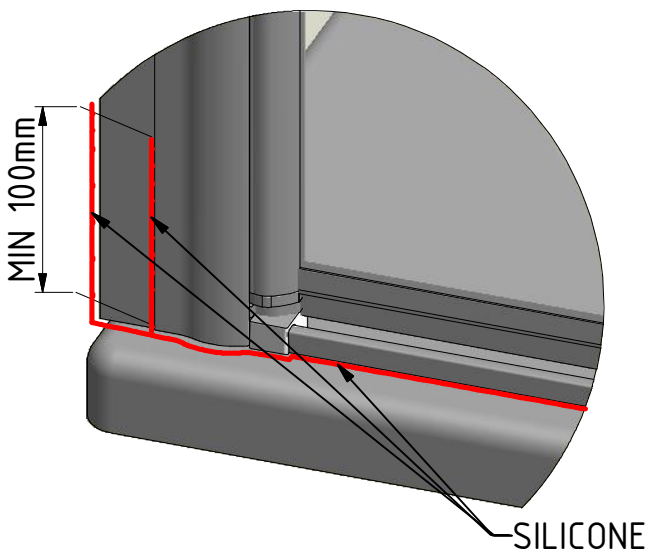




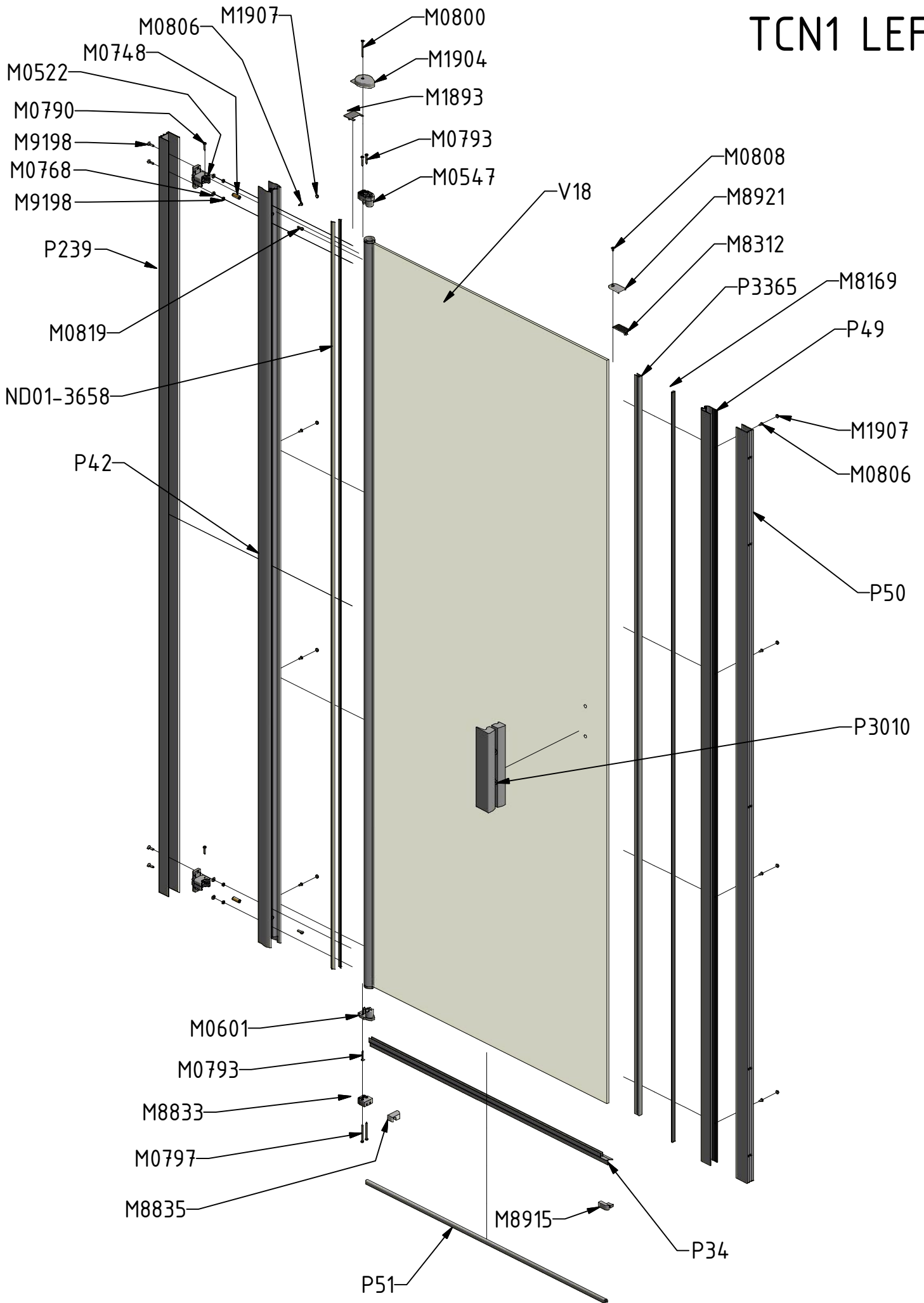




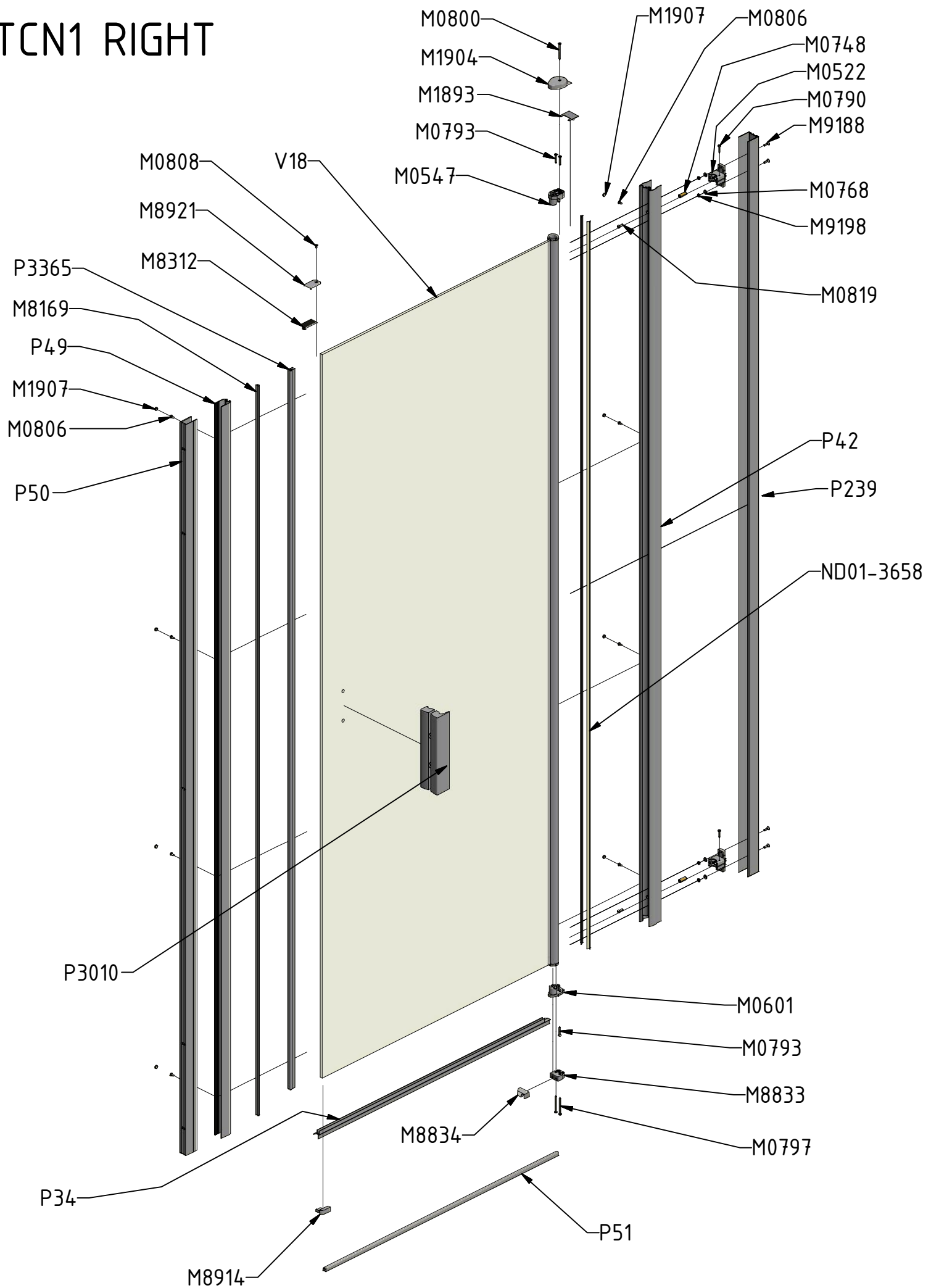




TCN1 LEFT



TCN1 RIGHT



| | | | | |
|------|------|-----------------------|--------------------|-----------------|
| P34 | | | | ND01-2420 |
| P239 | | brillant | | P3361 |
| | | stříbro | | P3927 |
| P42 | | brillant | | P1963 |
| | | elox | | P1962 |
| P49 | | brillant | | P2698 |
| | | elox | | P2699 |
| P50 | | brillant | | P2700 |
| | | elox | | P2701 |
| P51 | 800 | | | ND01-2238-8 |
| | 900 | | | ND01-2238-9 |
| | 1000 | | | ND01-2238-1 |
| V18 | 800 | brillant+clear glass | brillant+čiré sklo | ND02-0514-00-02 |
| | | brillant+intima glass | brillant+intima | ND02-0514-00-20 |
| | | elox+clear glass | elox+čiré sklo | ND02-0514-01-02 |
| | | elox+intima glass | elox+intima | ND02-0514-01-20 |
| | 900 | brillant+clear glass | brillant+čiré sklo | ND02-0515-00-02 |
| | | brillant+intima glass | brillant+intima | ND02-0515-00-20 |
| | | elox+clear glass | elox+čiré sklo | ND02-0515-01-02 |
| | | elox+intima glass | elox+intima | ND02-0515-01-20 |
| | 1000 | brillant+clear glass | brillant+čiré sklo | ND02-0516-00-02 |
| | | brillant+intima glass | brillant+intima | ND02-0516-00-20 |
| | | elox+clear glass | elox+čiré sklo | ND02-0516-01-02 |
| | | elox+intima glass | elox+intima | ND02-0516-01-20 |