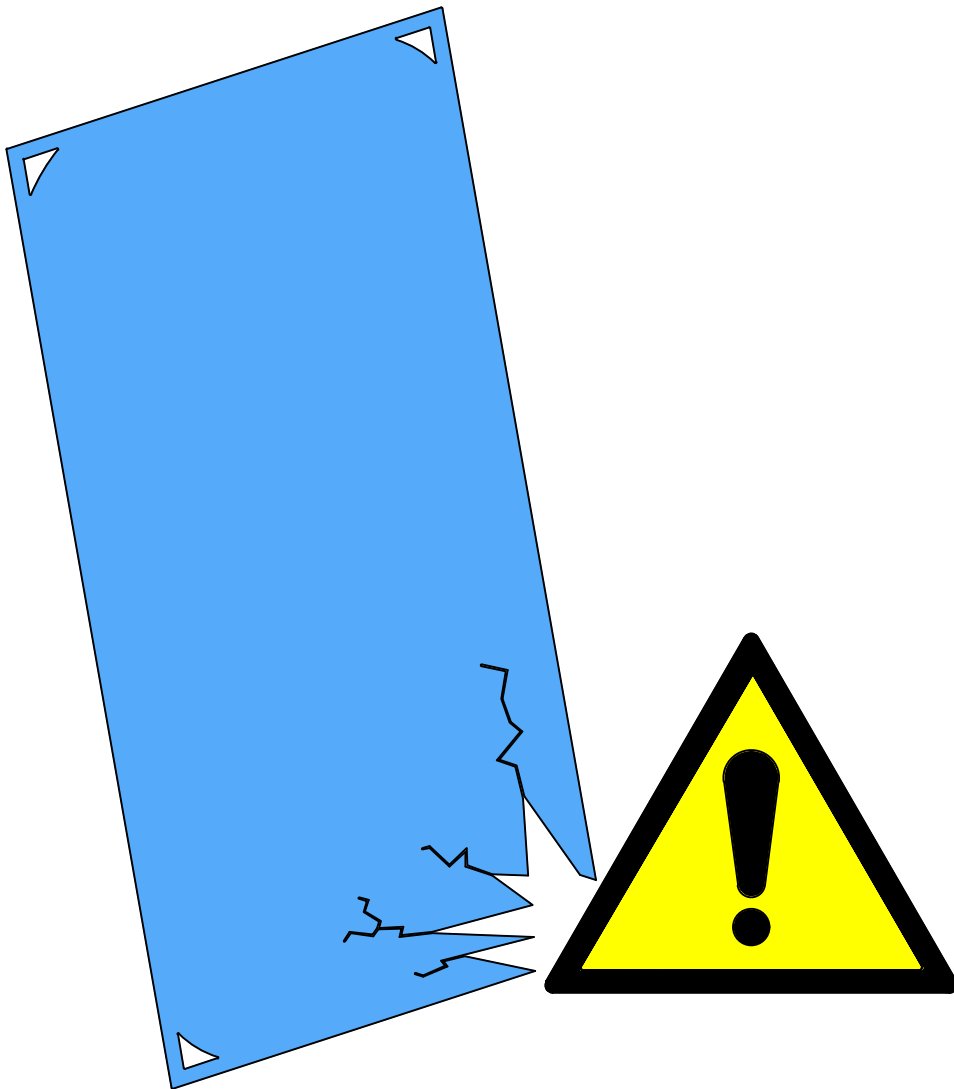
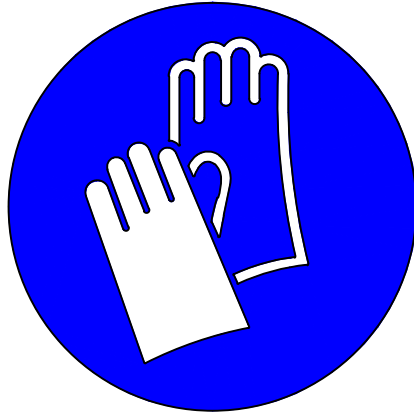
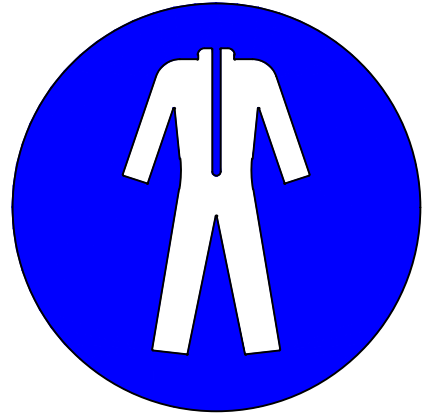
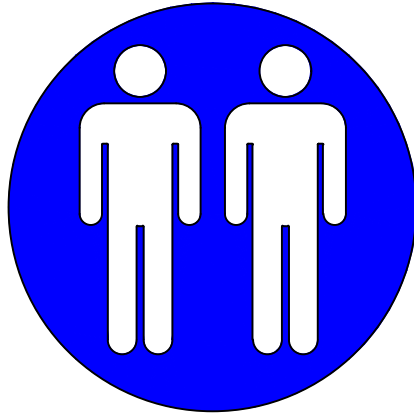
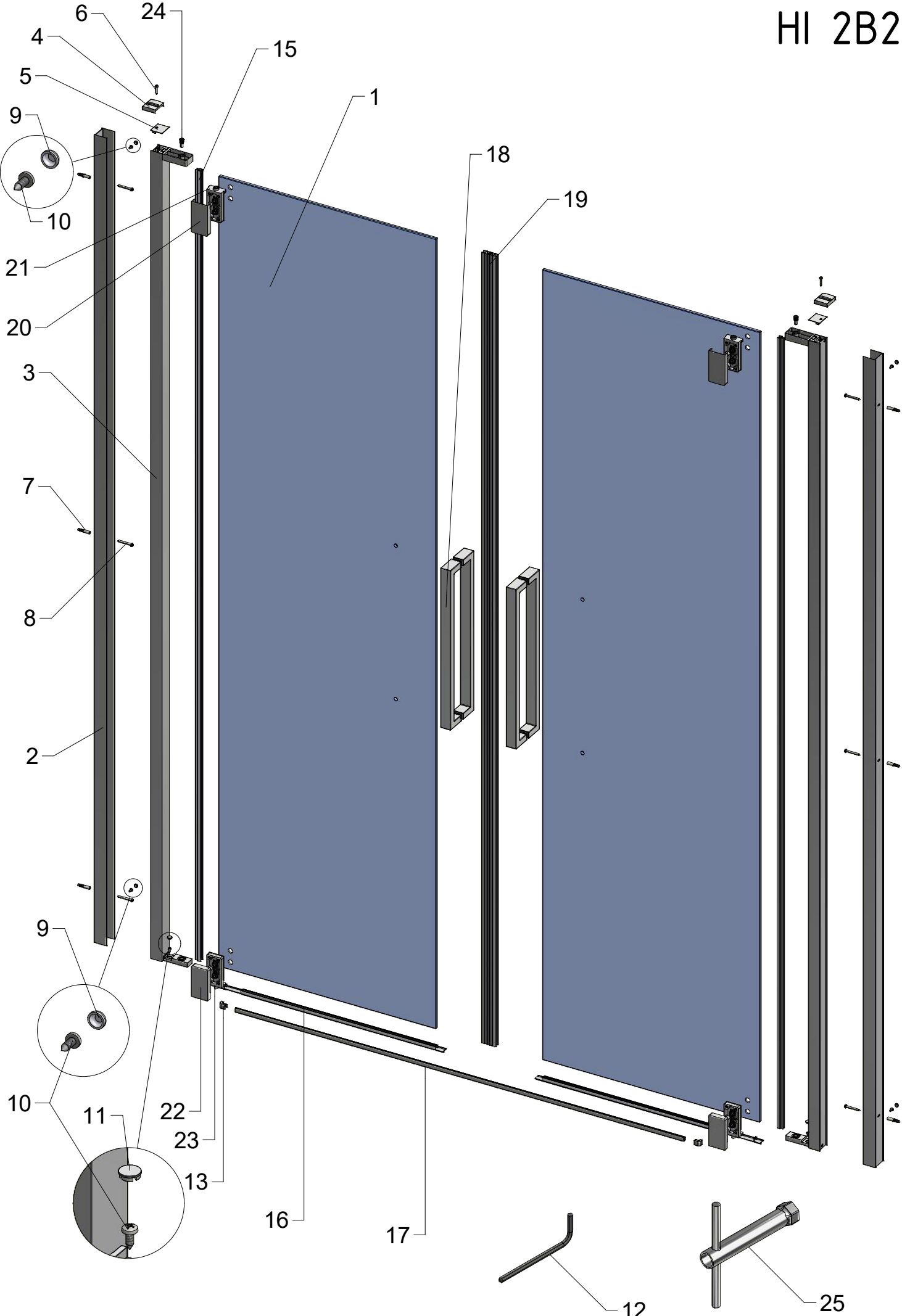


**Montageanleitung
Assembling Instruction
Montážní návod**

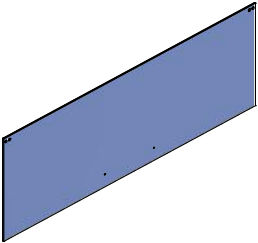
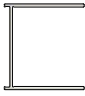
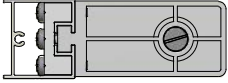
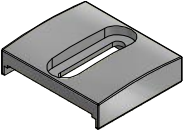
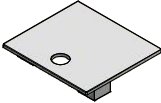













Shower for life



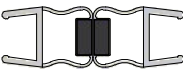





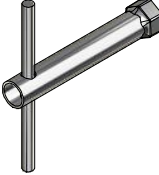




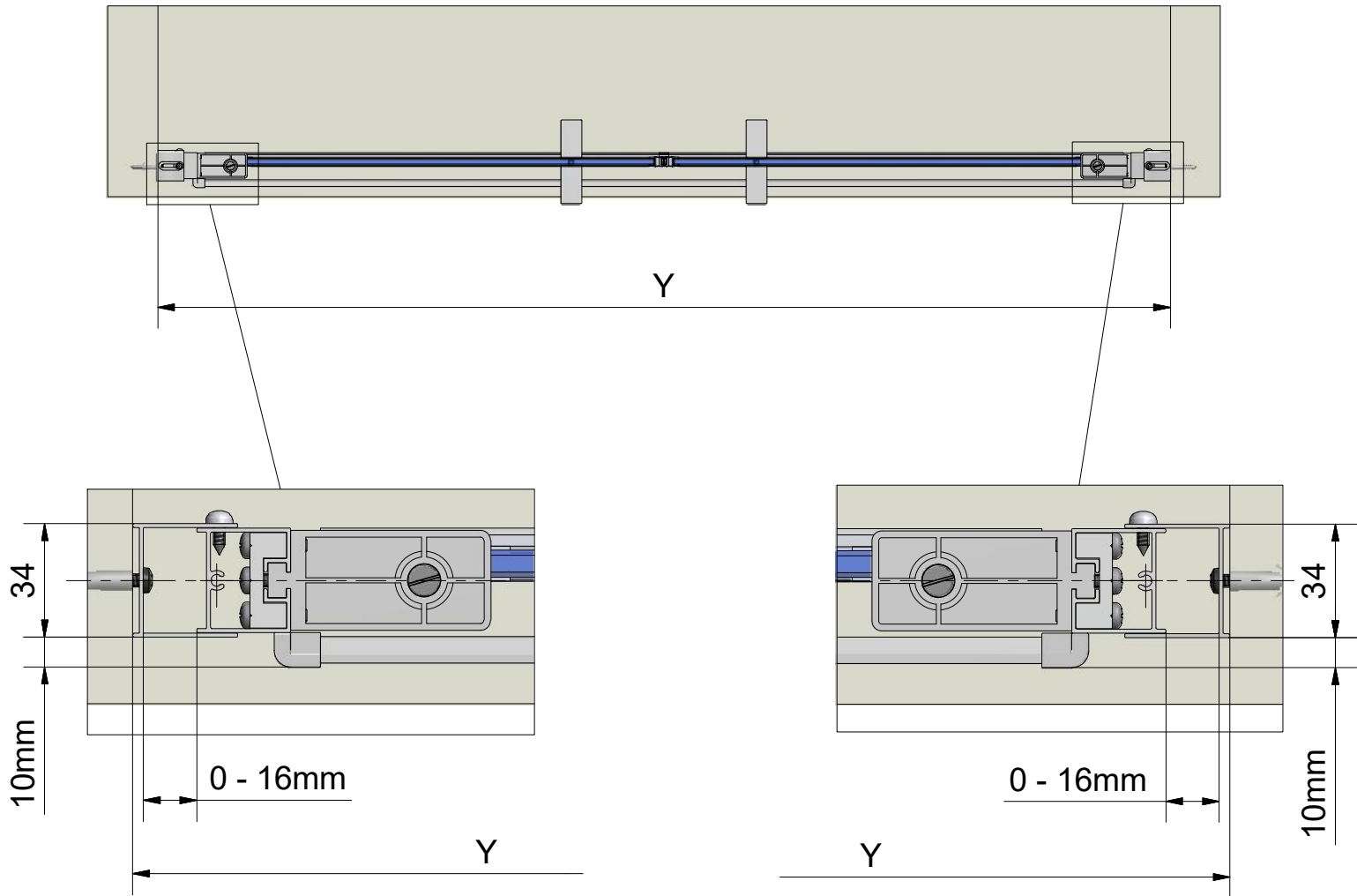
HI 2B2

POS.	PREVIEW	PCS	SPARE PART
1		2	V283
2		2	ND01-4001
3		2	ND01-4000
4		2	ND01-4005
5		2	ND01-4005
6		2	ND01-4005
7		8	ND01-4005
8		6	ND01-4005
9		4	ND01-4005
10		6	ND01-4005
11		2	ND01-4005
12		1	ND01-4005
13		1+1 (SET)	ND01-4005
14		1	ND01-4005
15		2	ND01-3996
16		2	ND01-3997

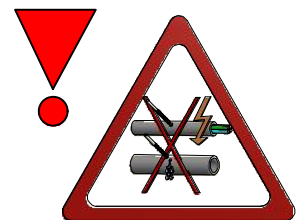
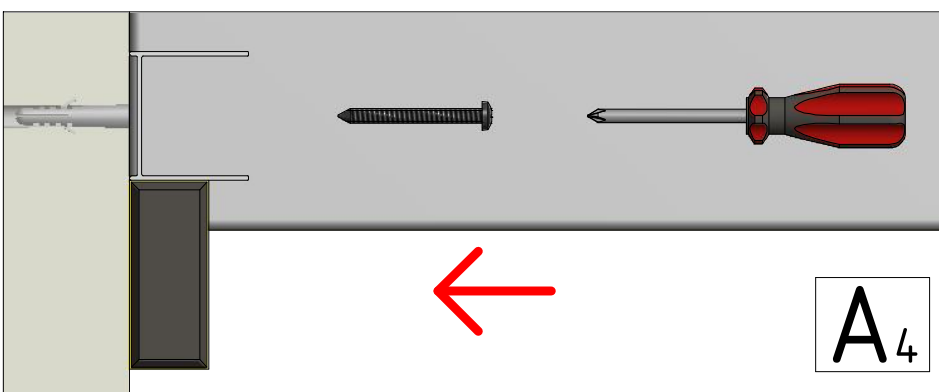
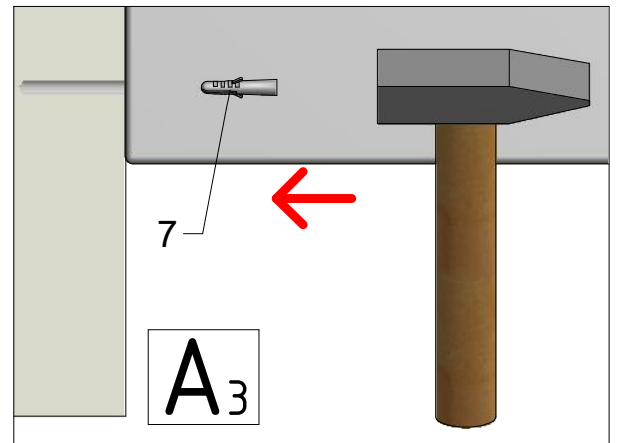
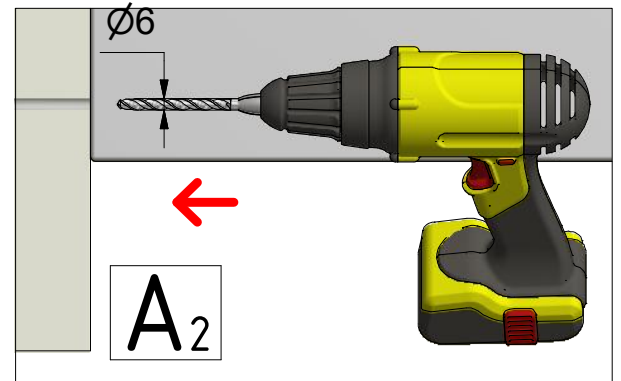
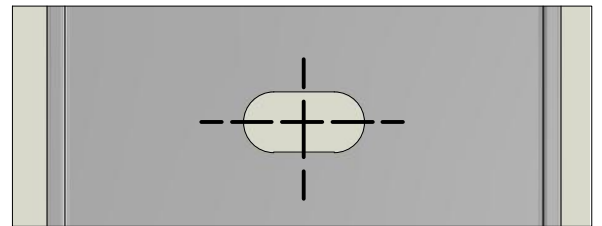
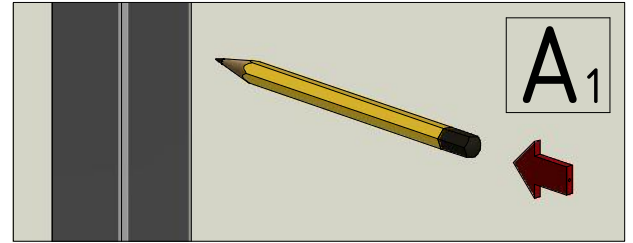
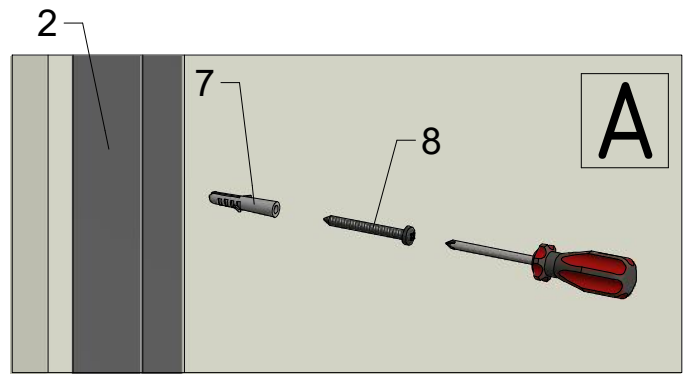
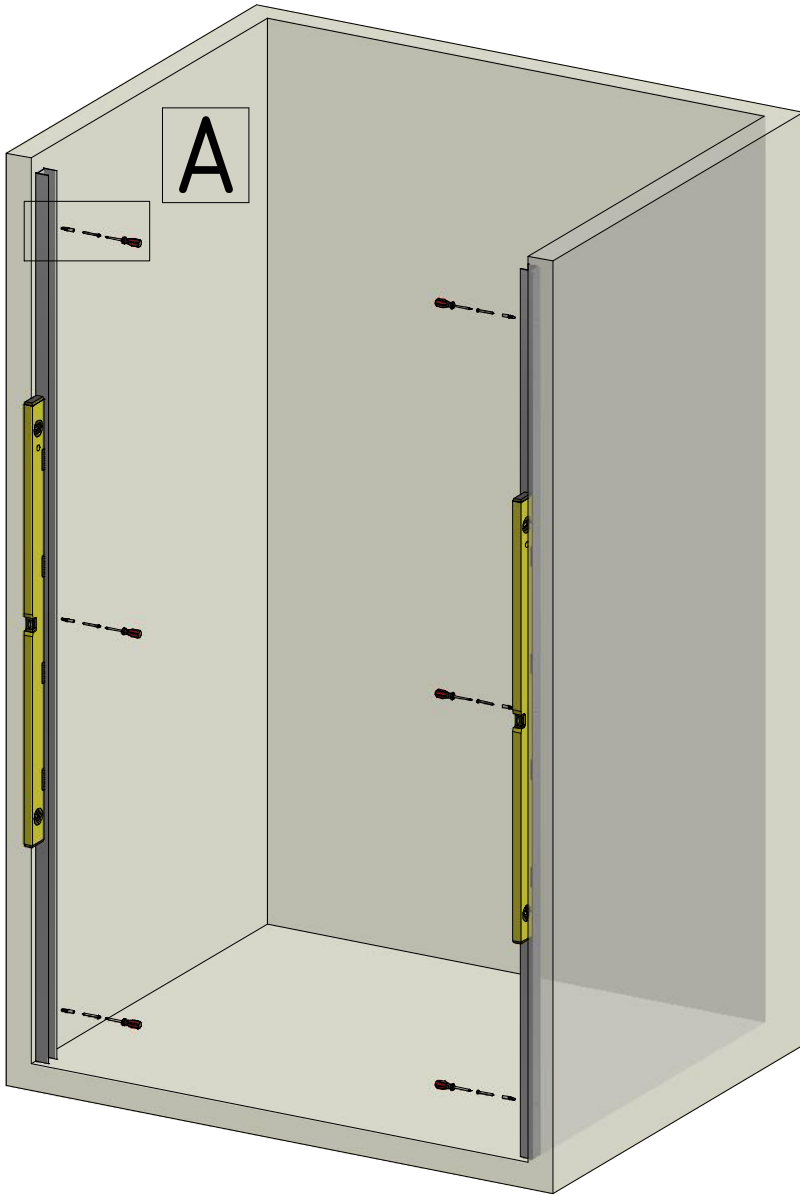
HI 2B2

POS.	PREVIEW	PCS	SPARE PART
17		1	ND01-4002
18		2	ND01-4003
19		1+1 (SET)	ND01-4004
20		2	ND01-3999
21		2	ND01-3999
22		2	ND01-3999
23		2	ND01-3999
24		2	ND01-3999
25		1	-

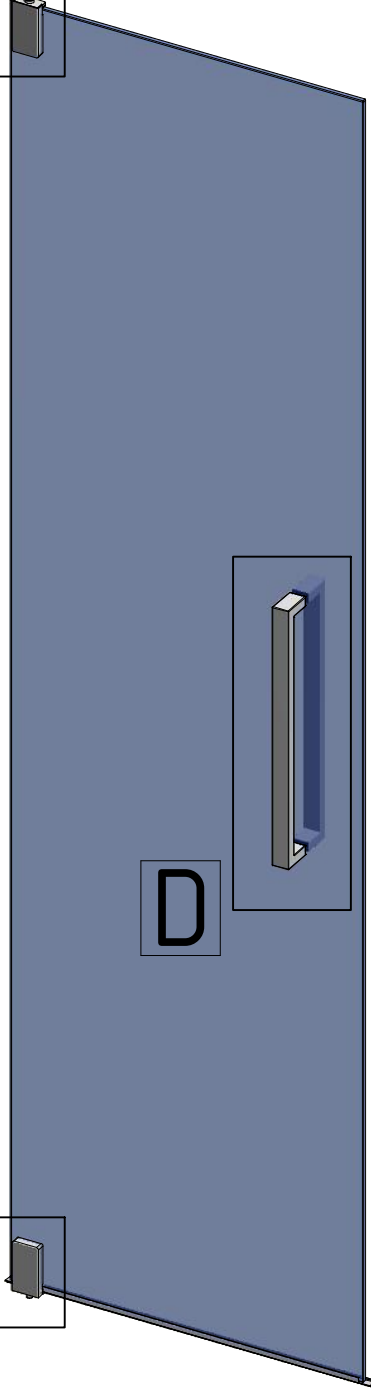
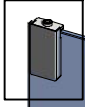
HI 2B2



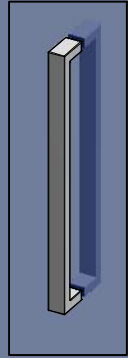
HI 2B2	
TYPE	Y (mm)
800	783 - 815
900	883 - 915
1000	983 - 1015
1200	1183 - 1215



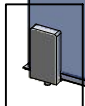
B



D

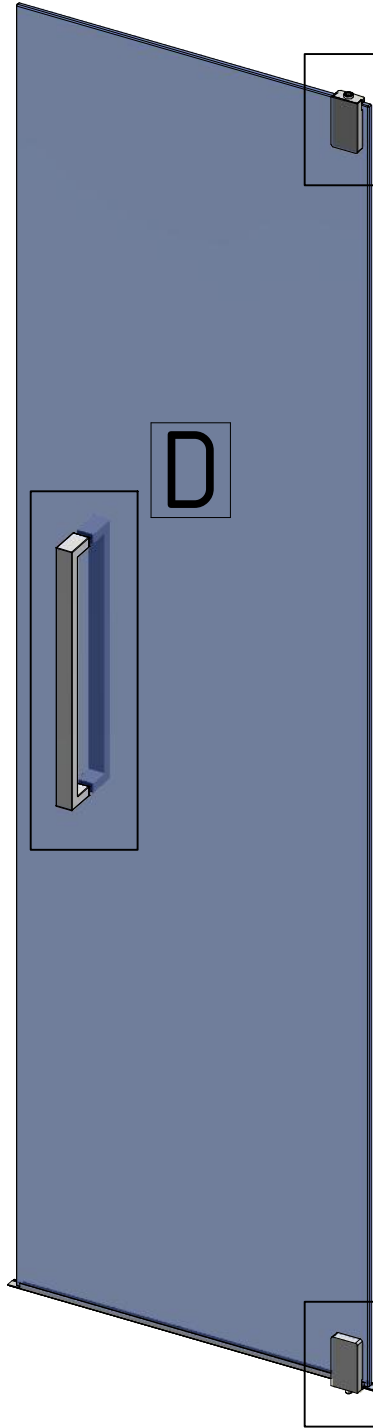
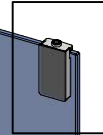


C

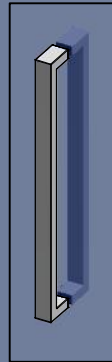


MIRROR

B

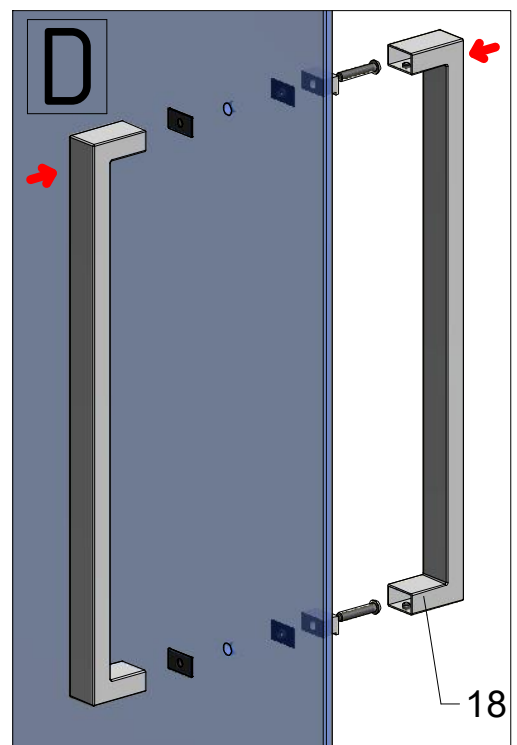
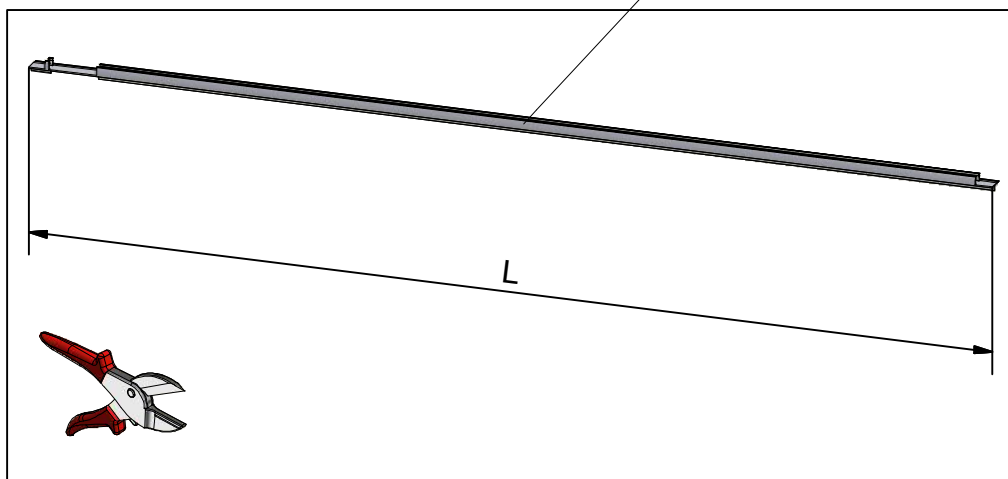
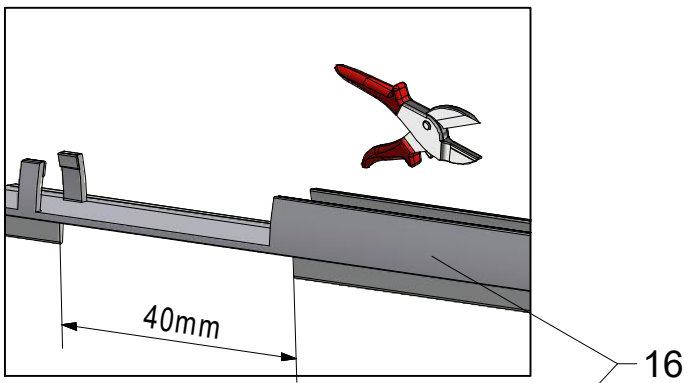
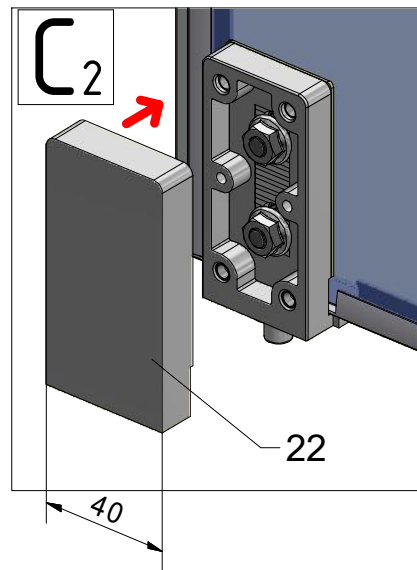
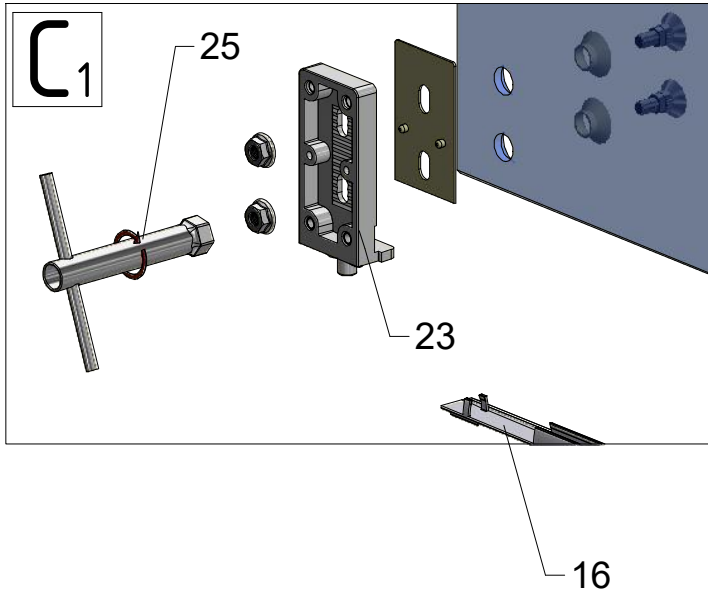
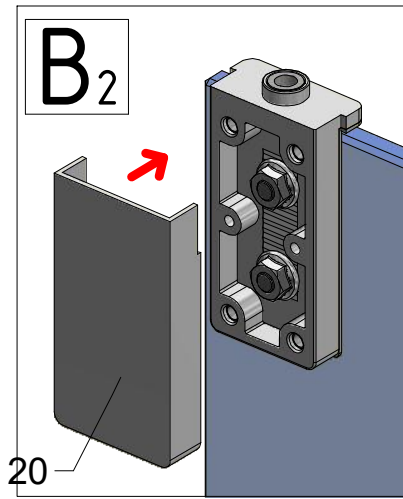
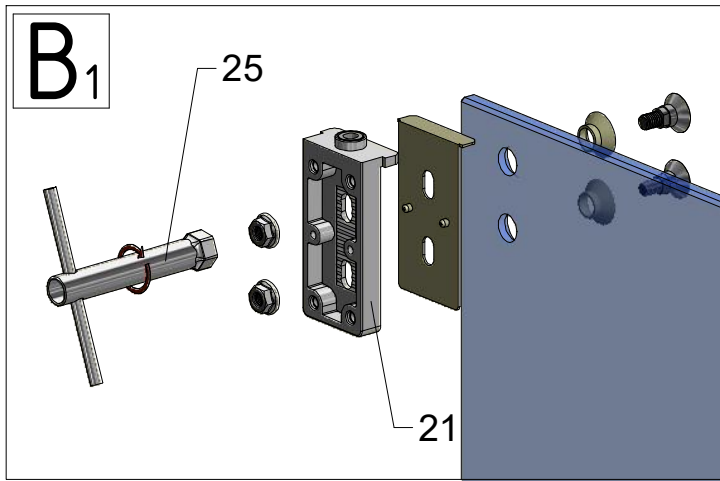


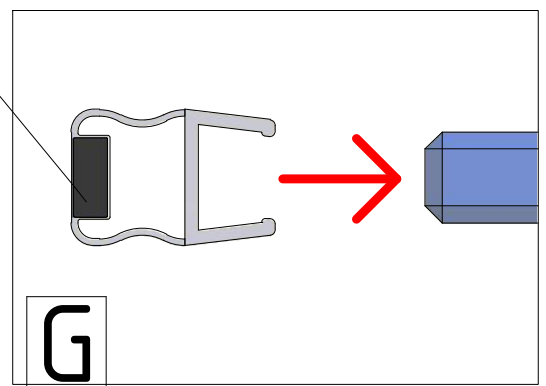
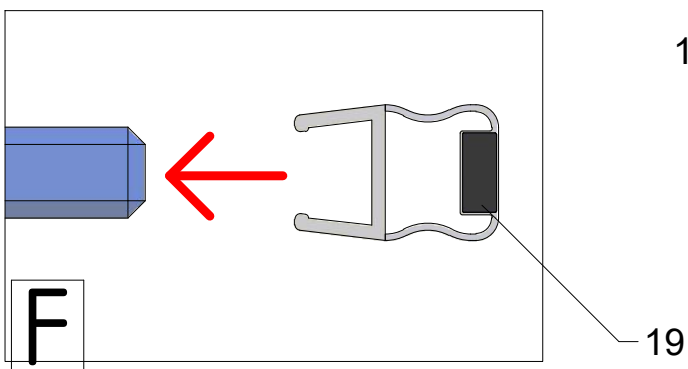
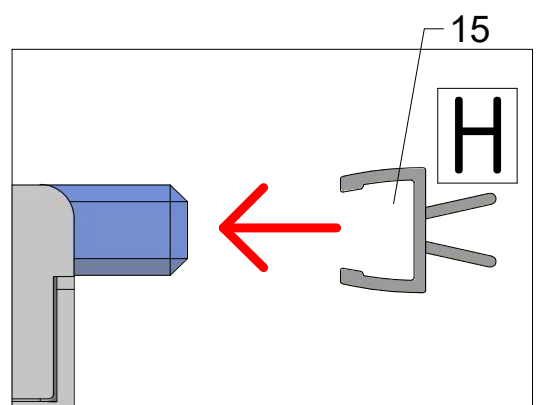
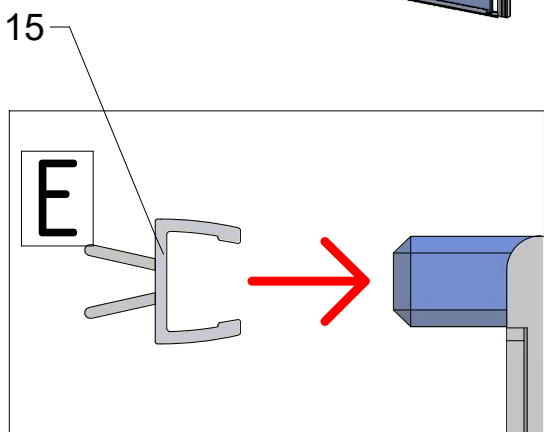
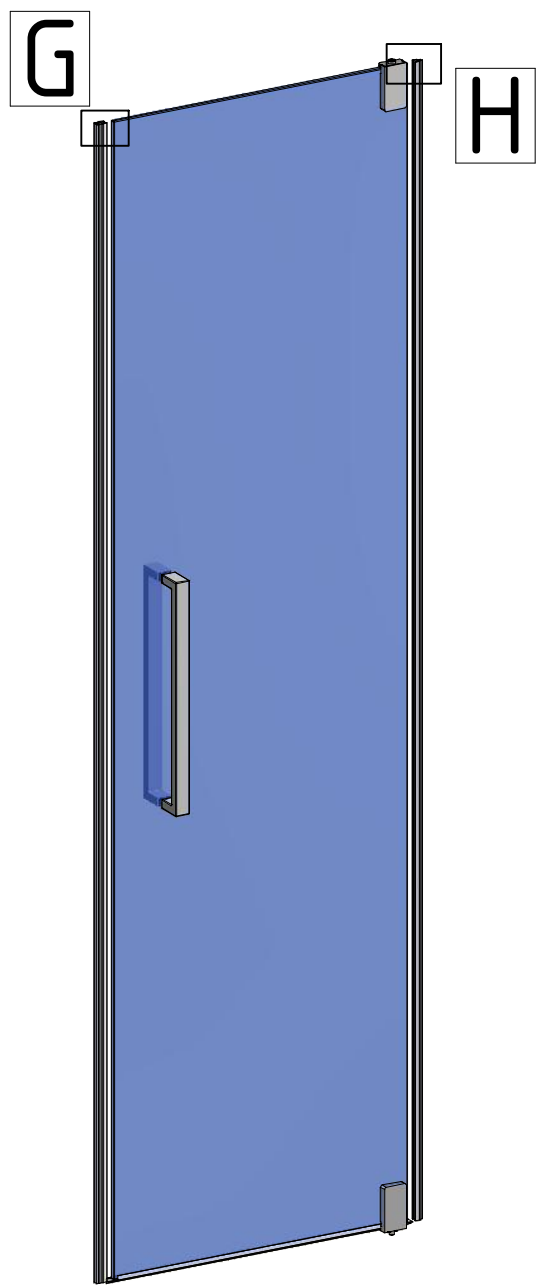
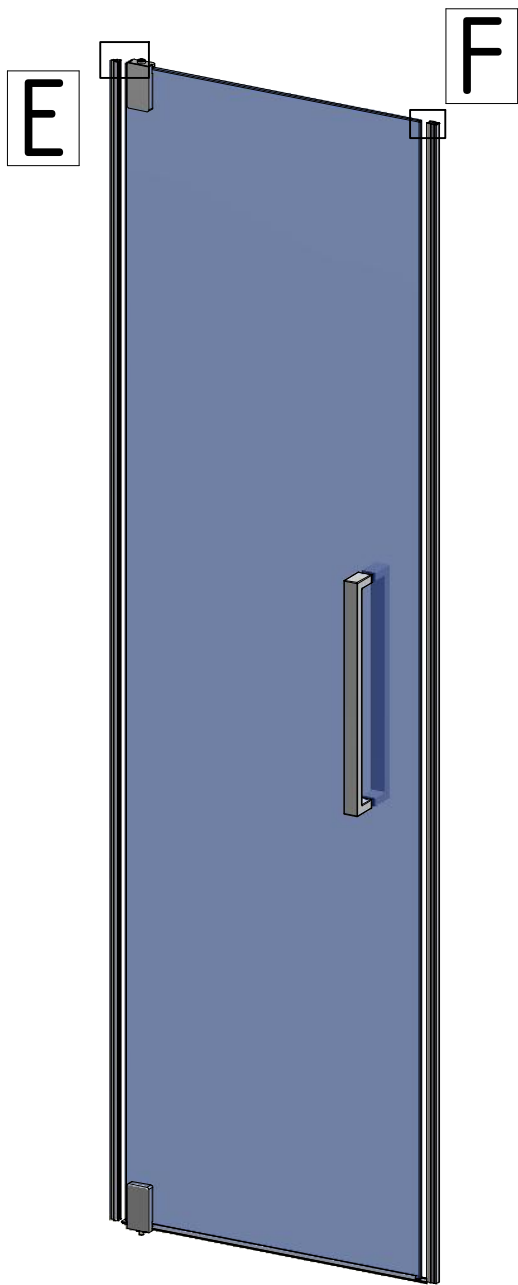
D

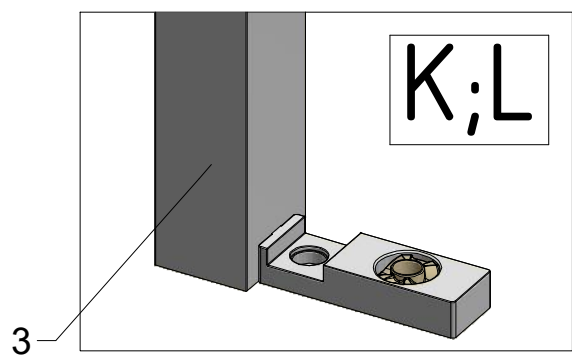
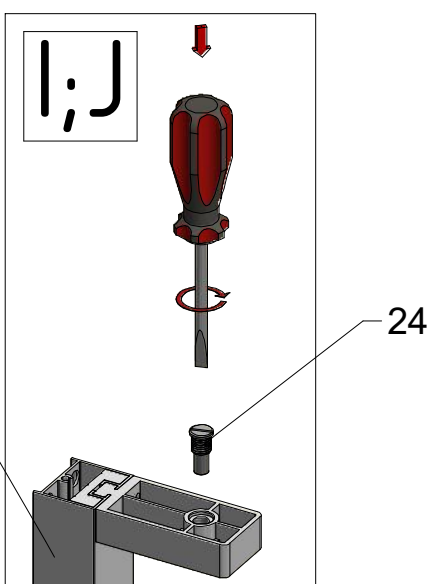
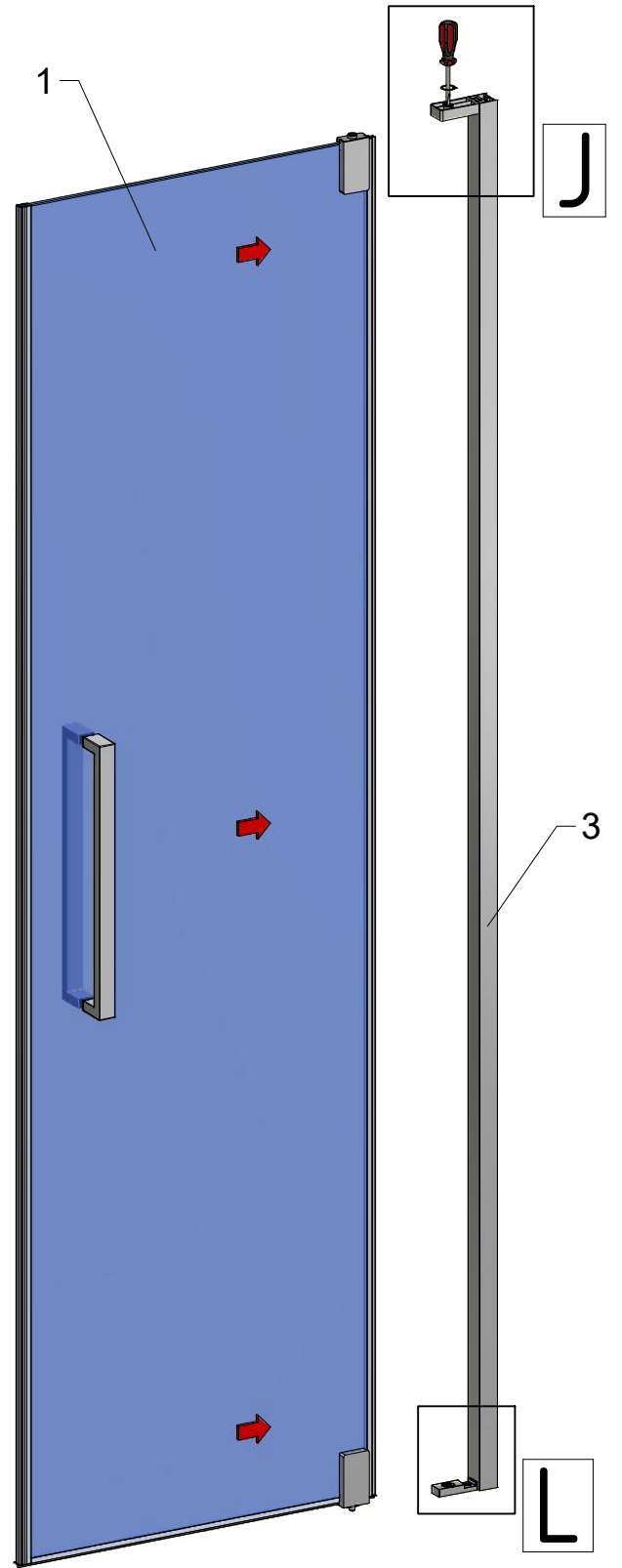
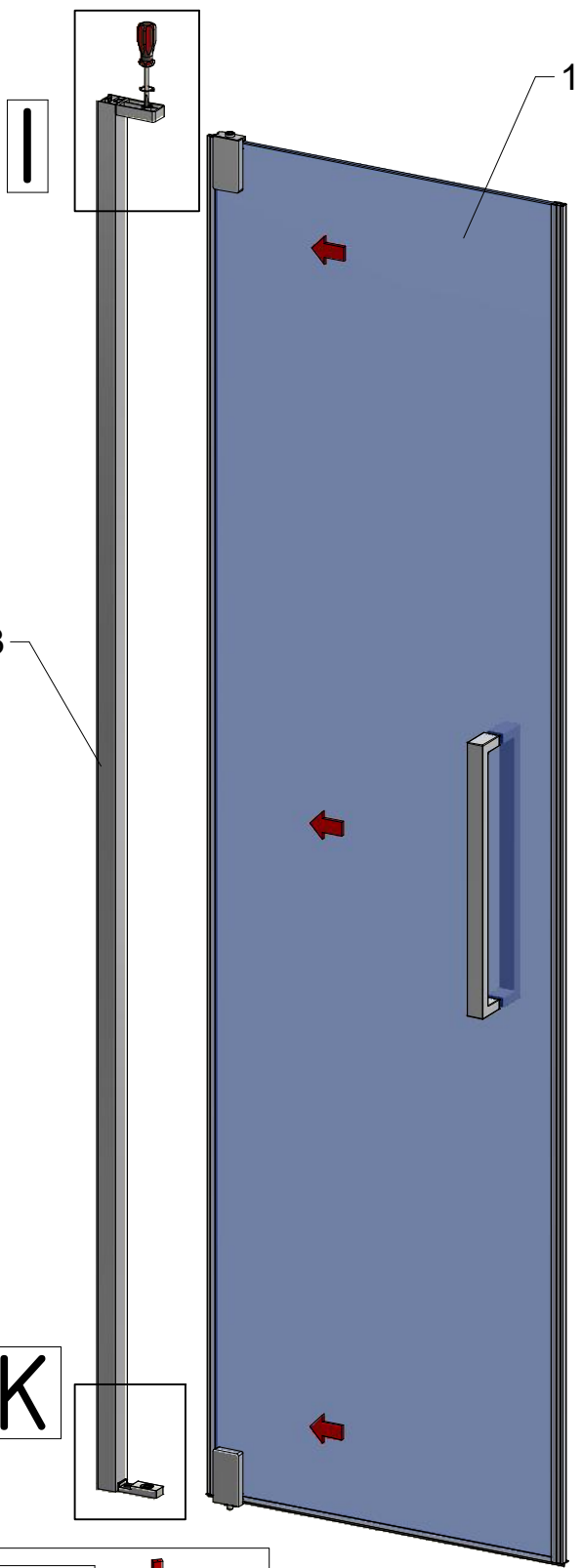


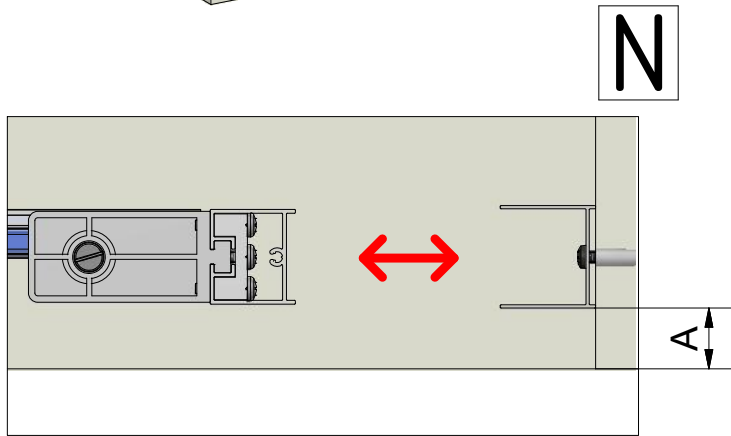
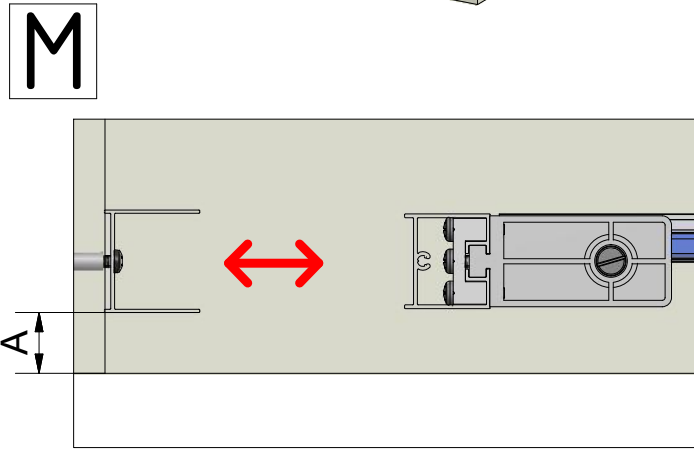
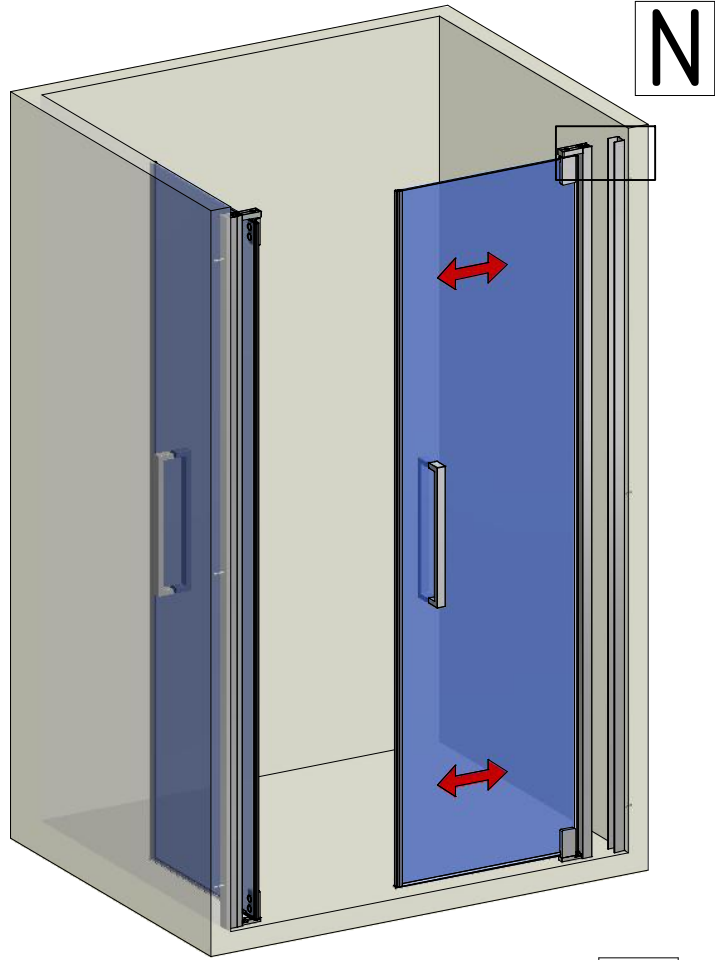
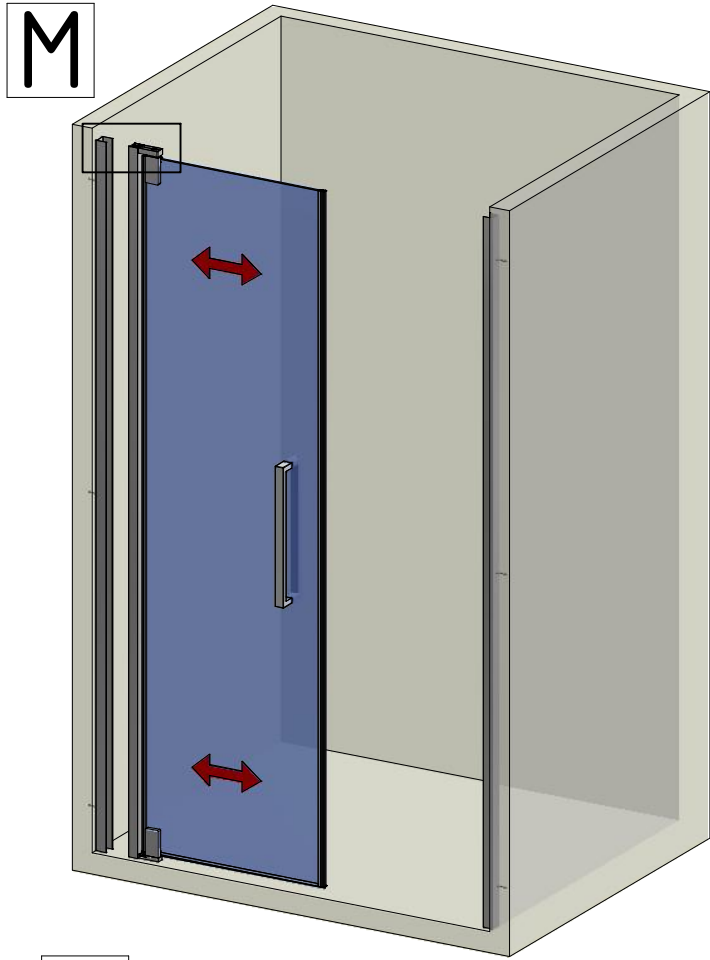
C



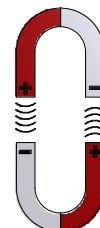
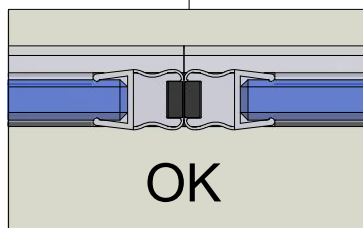
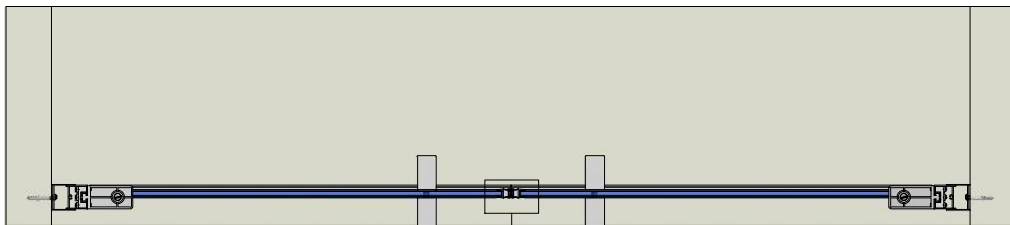


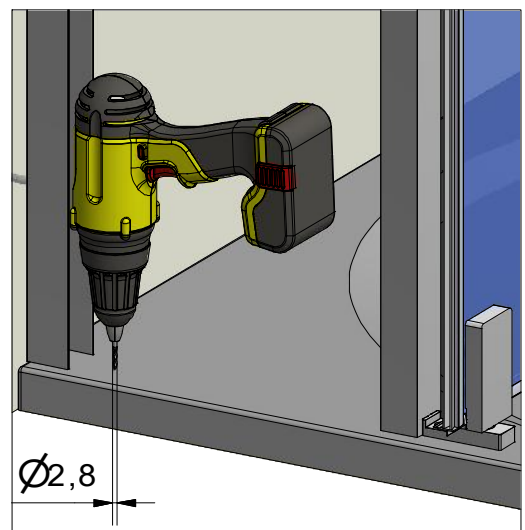
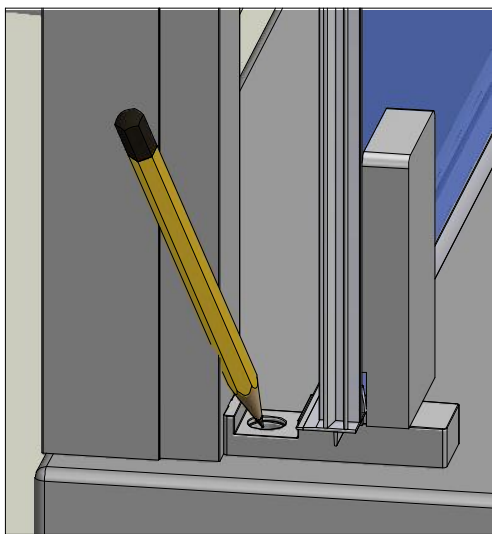
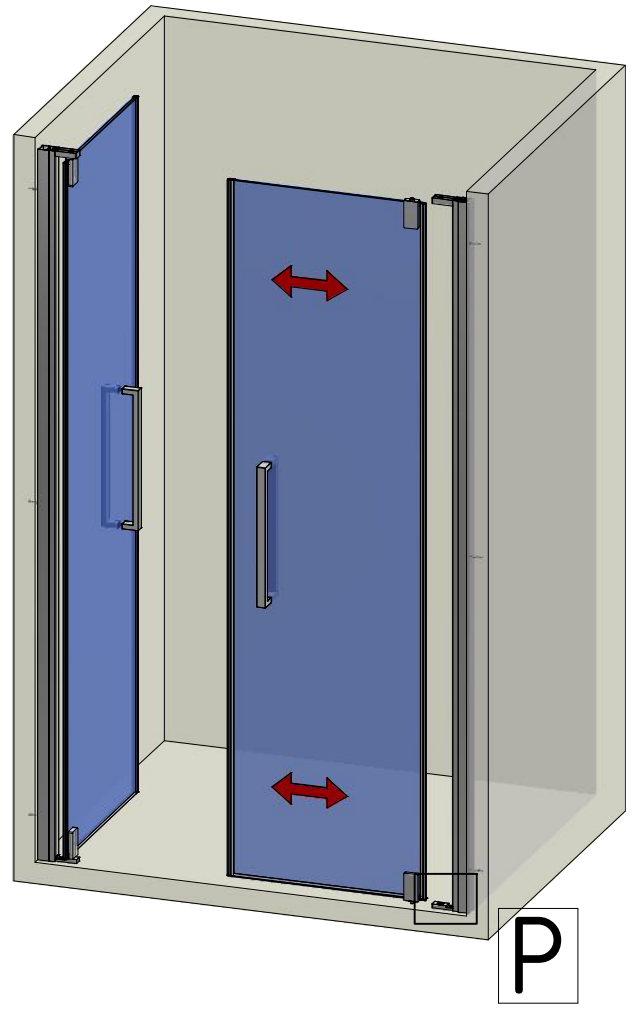
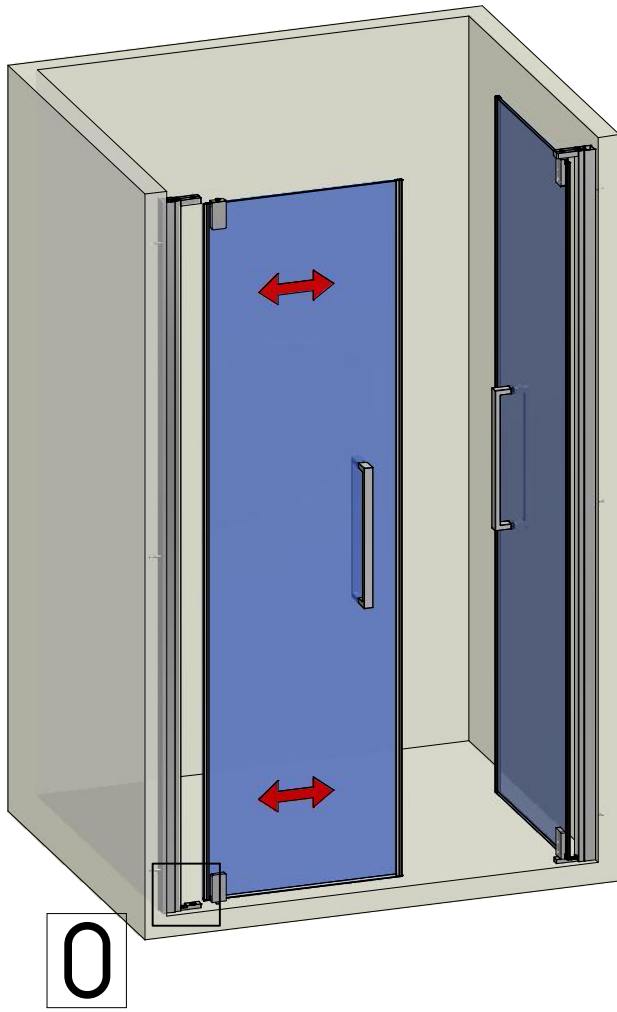


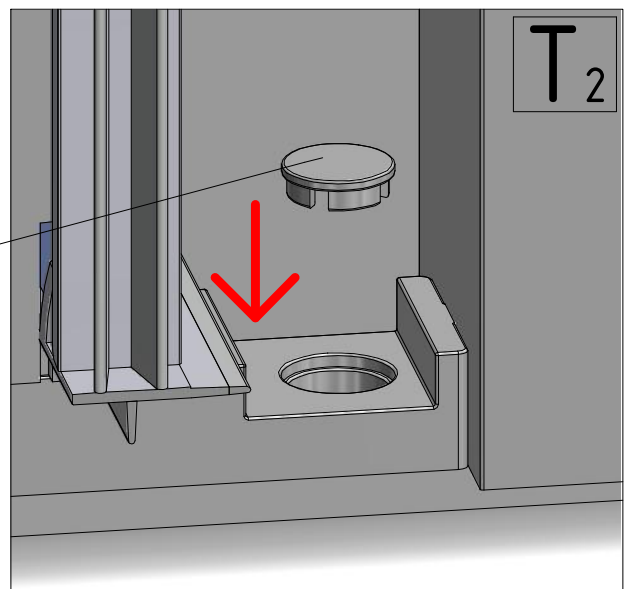
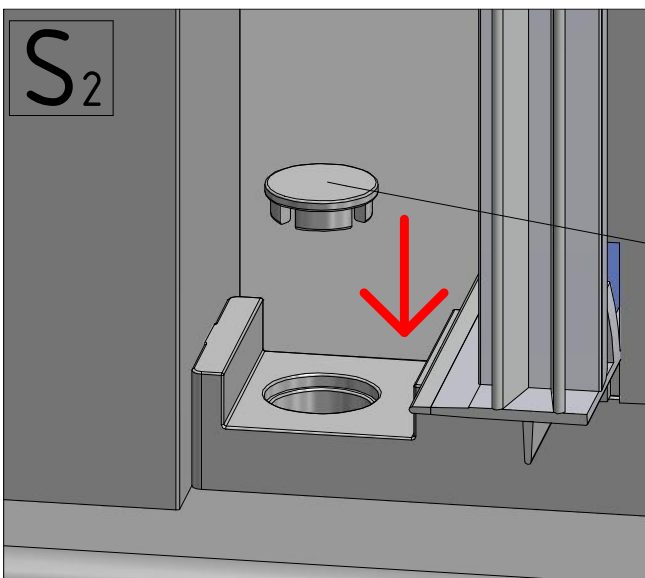
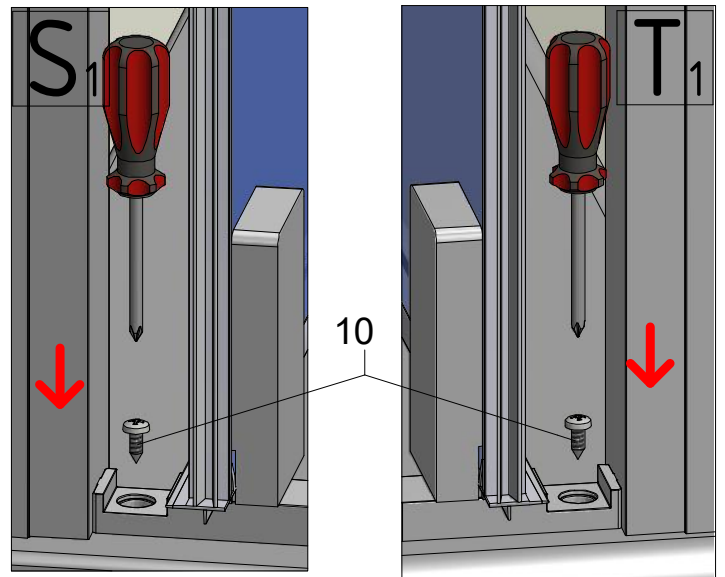
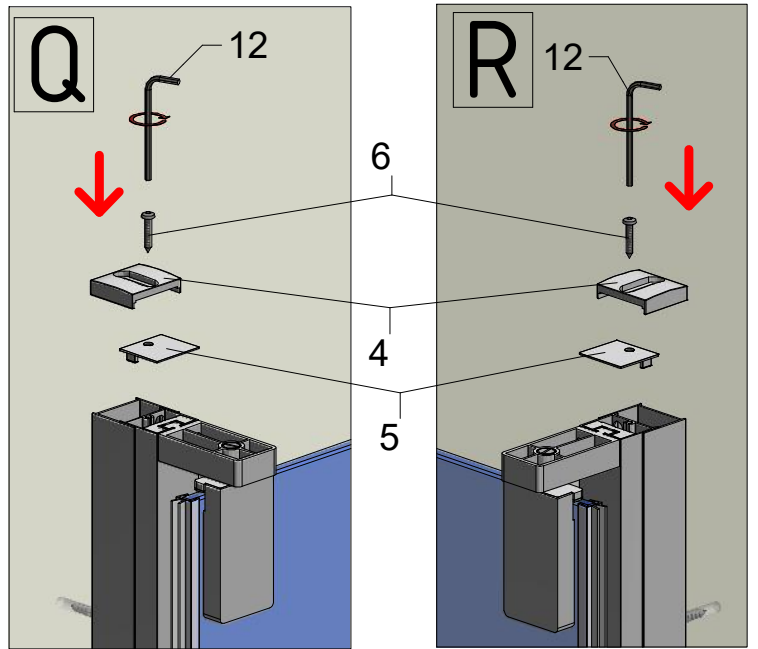
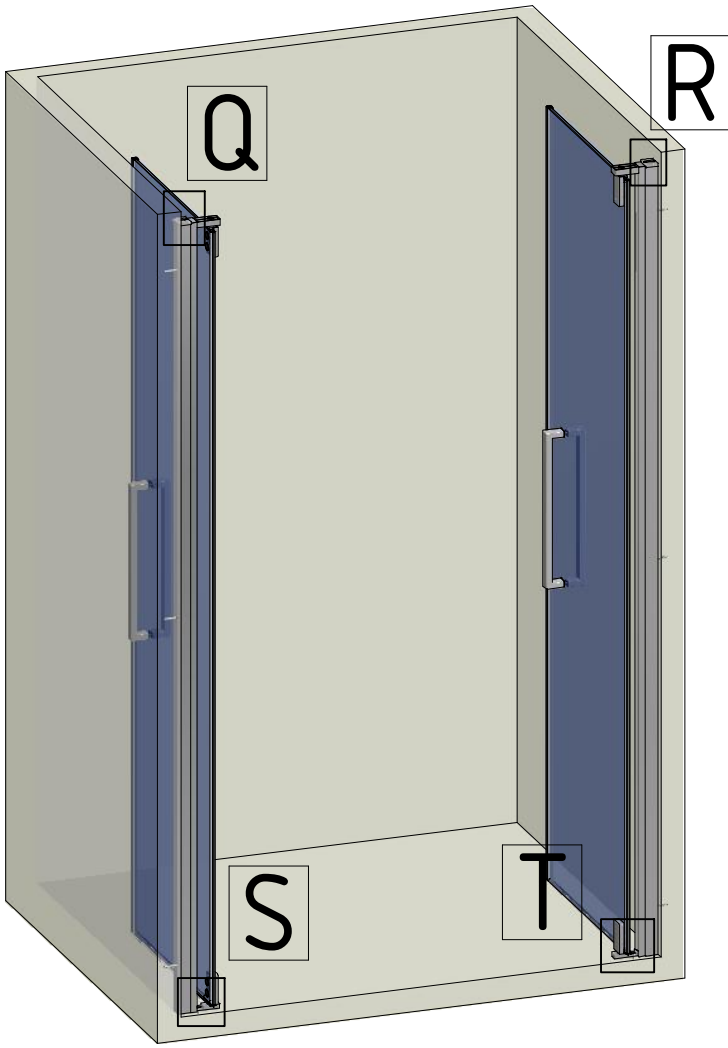


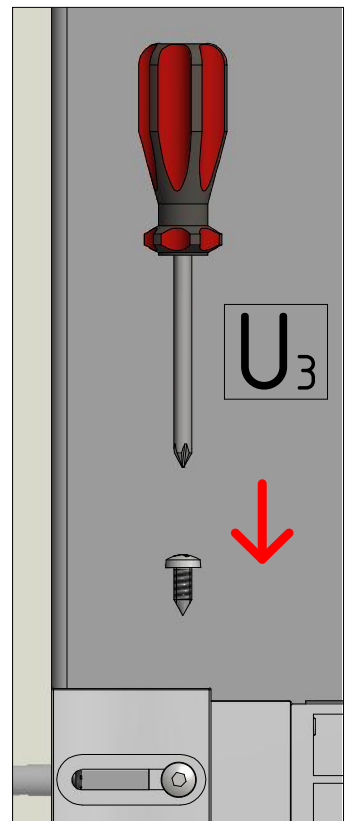
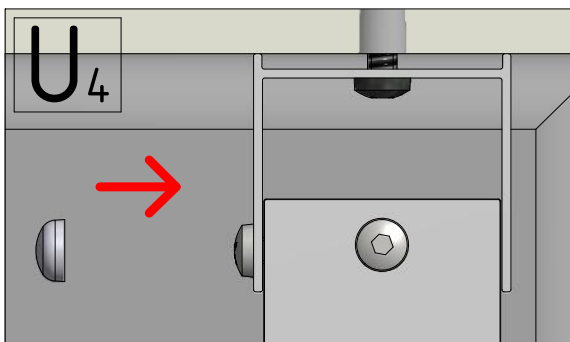
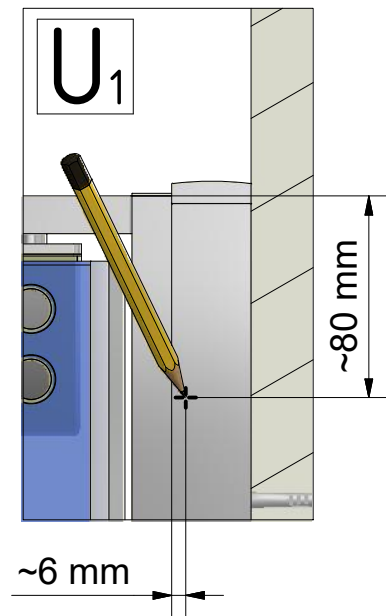
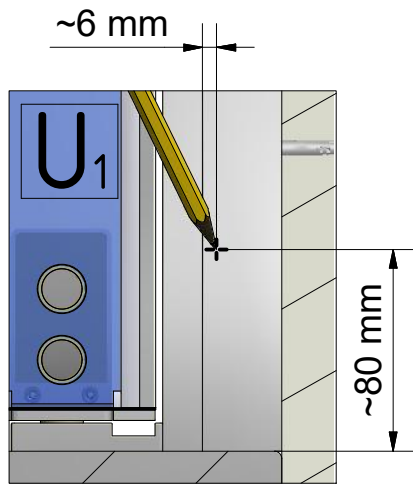
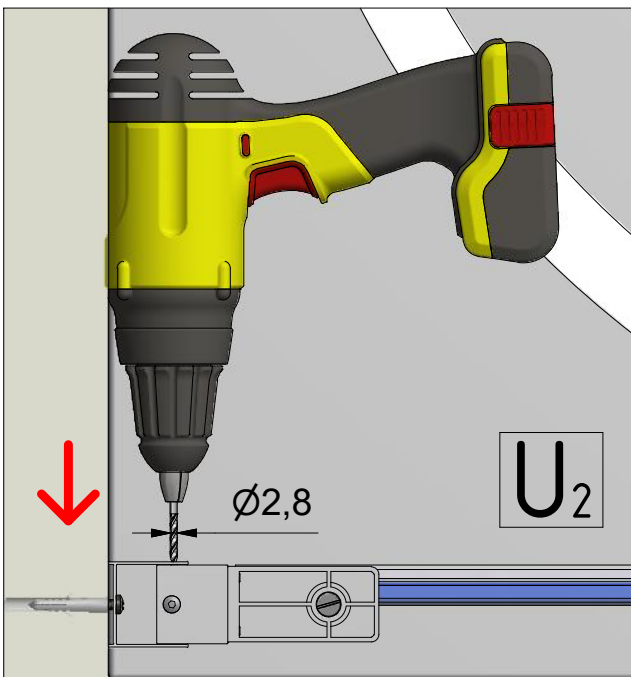
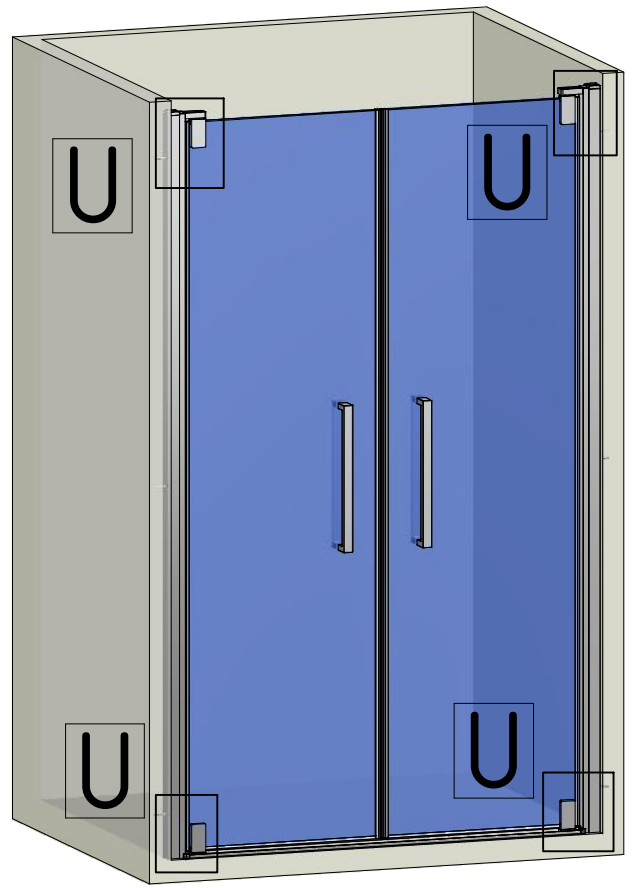
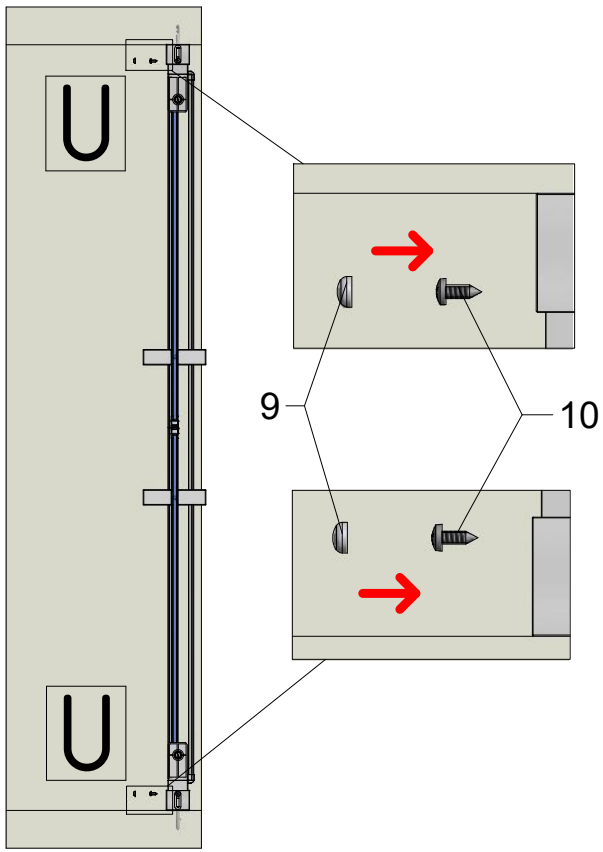


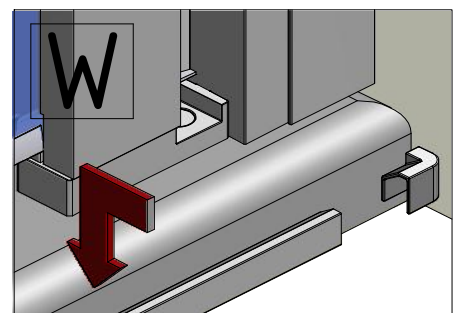
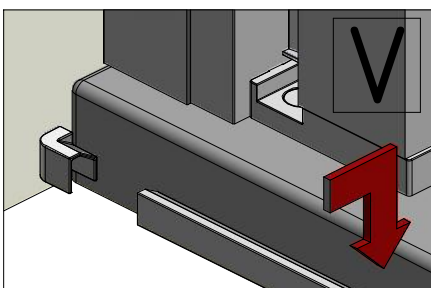
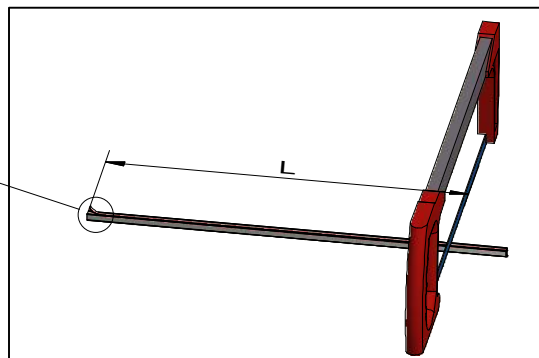
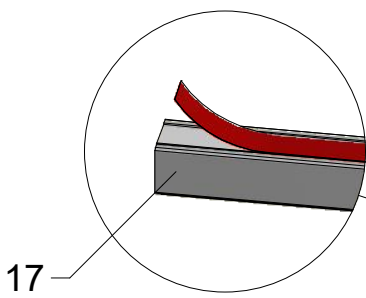
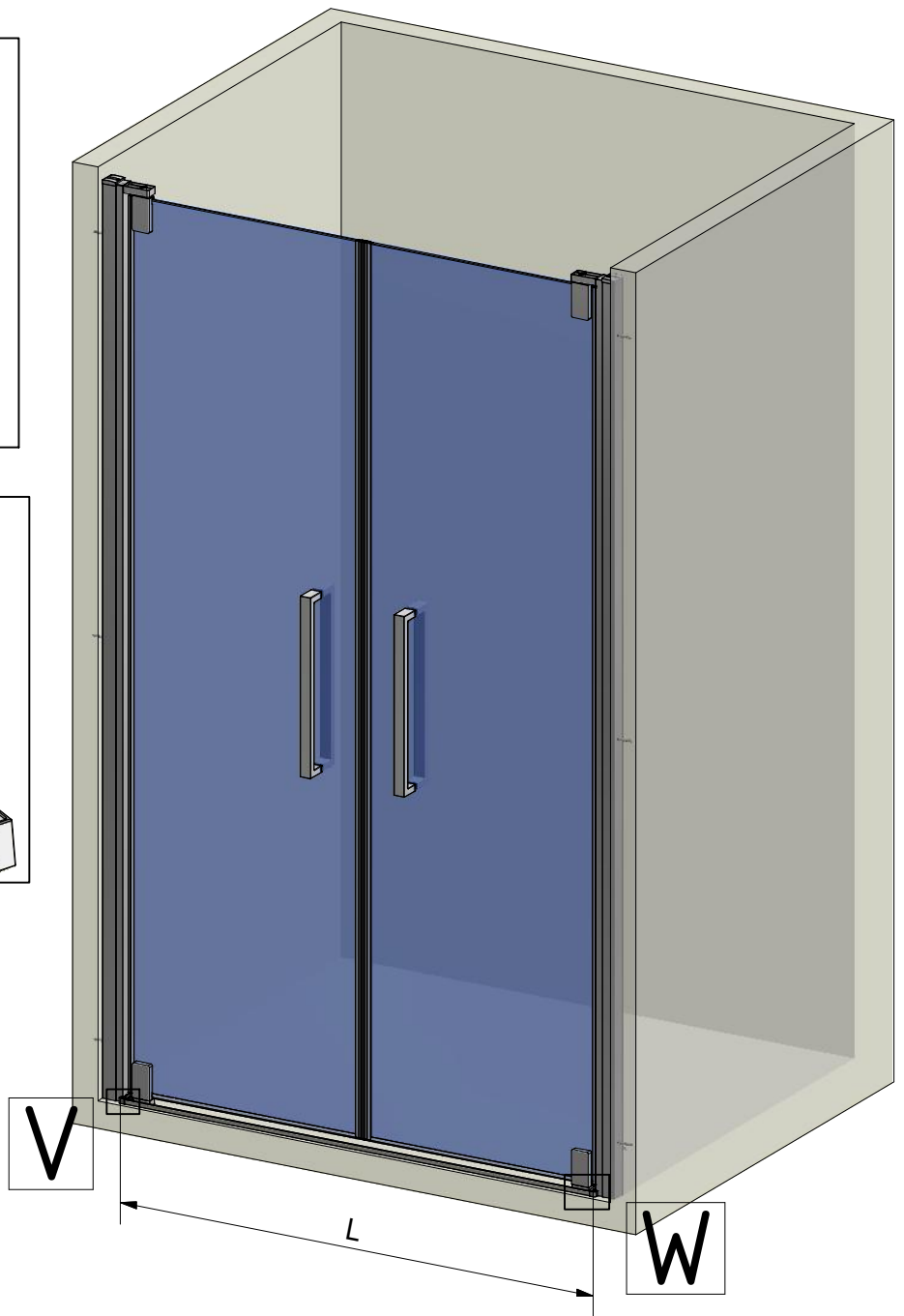
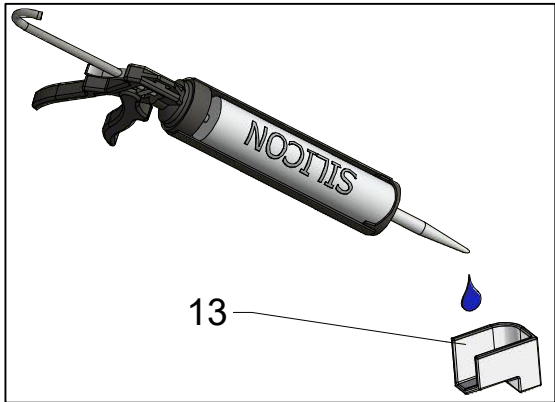
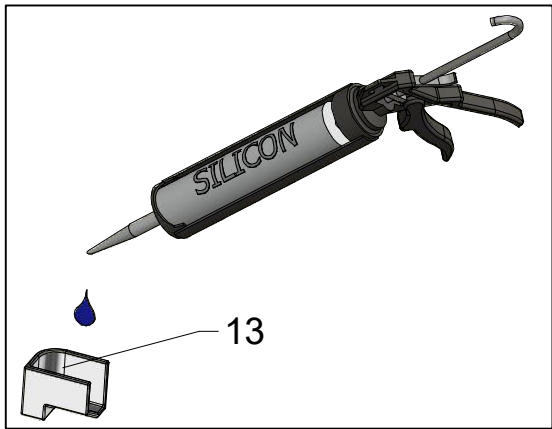
$A = A$

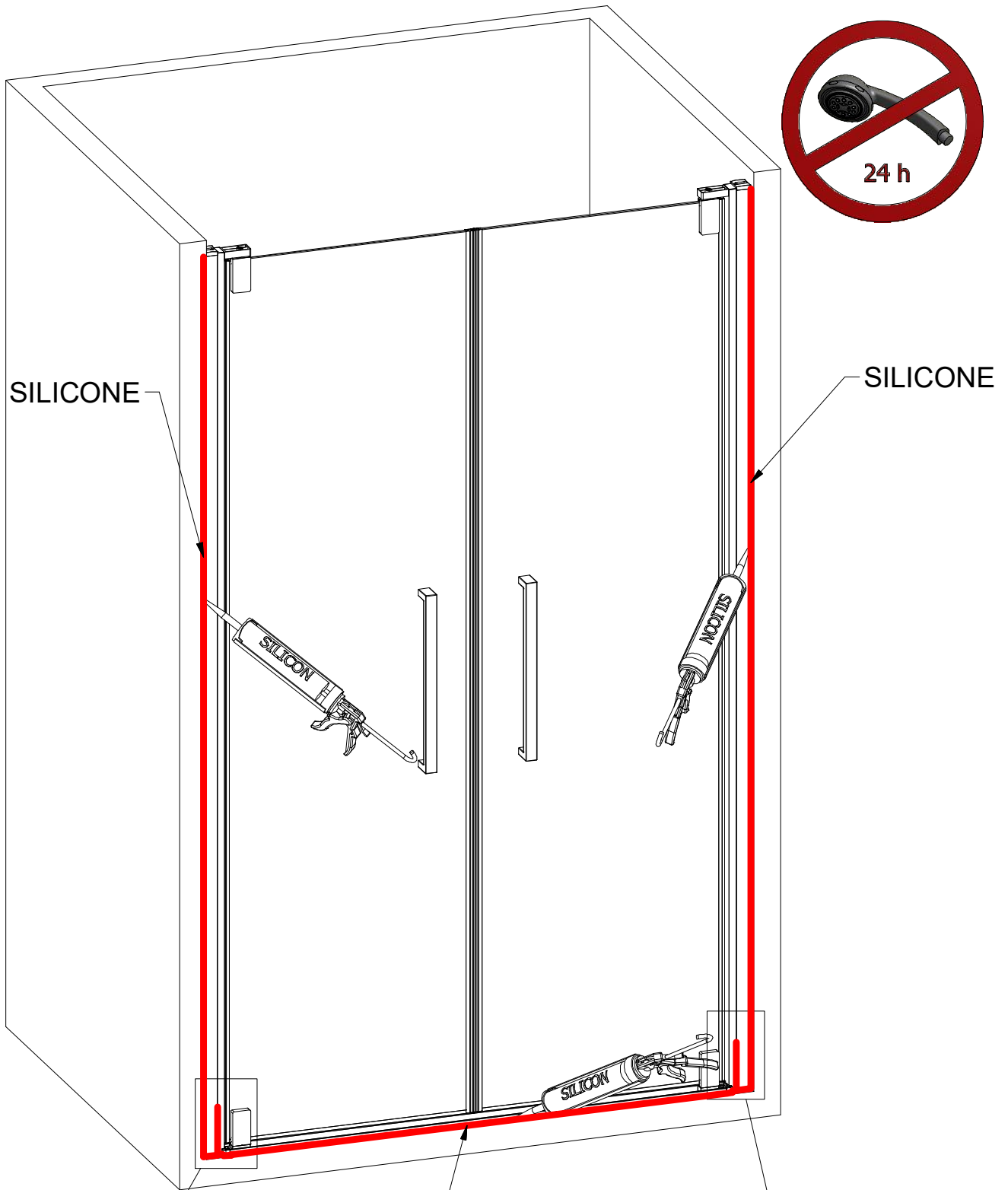








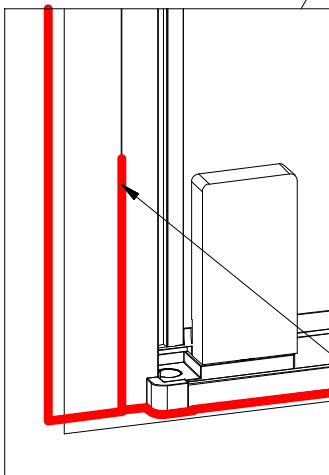




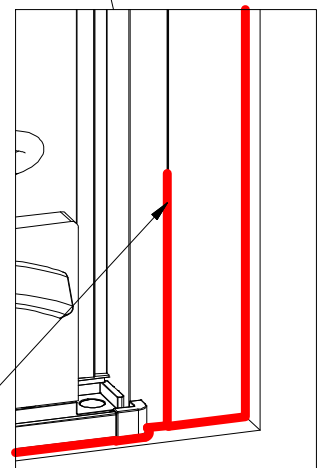
SILICONE

SILICONE

SILICONE

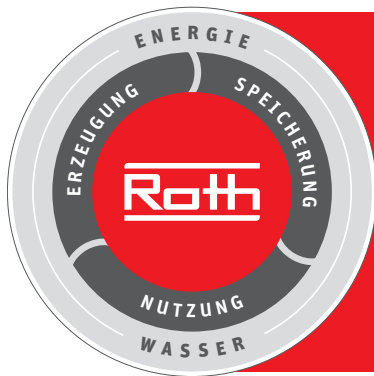


SILICONE
MIN 100mm



SILICONE
MIN 100mm

V283	800	Transparent	ND02-0897-02
	900		ND02-0898-02
	1000		ND02-0899-02
	1200		ND02-0900-02



Roth Energy and Sanitary Systems

Generation

- > Solar systems
- > Heat pump systems
- > Solar heat pump systems

Storage

- Storage systems for
- > Domestic & heating water
 - > Combustibles and biofuels
 - > Rainwater and waste water

Application

- > Radiant heating and cooling systems
- > Pipe installation systems
- > Shower systems



■ Deutschland

ROTH WERKE GMBH
Am Seerain 2
35232 Dautphetal
Telefon: 06466/922-0
Telefax: 06466/922-100
E-Mail: service@roth-werke.de
www.roth-werke.de

■ Czech Republic

Roth Czech s.r.o.
Třebořov 160
569 33 Třebořov
Tel.: +420 461 324 301
Fax.: +420 461 324 297
E-Mail: objednavky@roth-czech.cz
www.roth-czech.cz