

Sanitary Systems

Shower enclosures | Bathtubs | Shower trays



**CATALOGUE
2026 / 2027**



The prices listed in the catalogue are recommended and without VAT.



About us

The precise processing of our products has been celebrating success since 1991 (under the name Roltechnik) not only in the Czech Republic, but also in the most demanding markets, such as Germany, Austria, Switzerland and others.

In 2016, Roltechnik became a member of the Roth Industries group. Roth Industries is a family-owned company based in Germany with a 80-year history and more than 1,300 employees worldwide. Roth is a multinational manufacturer of energy and sanitary systems with a worldwide presence.

You can find more information at www.roth-industries.de

Above all, this connection taught us higher precision, tightening even the smallest details to perfection and the art of succeeding on the world market. From 1 January 2020 Roltechnik took over the new name **Roth Czech**. By the renaming of Roltechnik name and brand was completed the integration process into the Roth group. Our products are enjoyed by satisfied customers in 25 countries around the world. And more are coming. We care about every detail. We also meet any requirement for an atypical solution. We will always try to accommodate you. We innovate product design in cooperation with the best designers and our technologies certify the most demanding German authorities.





Shower enclosures

Alina®		
AC PIG + AC PIG	12	AP AFL + AP AFR NOVELTY 20
AC PIV.....	14	AP PFL + AP PFR NOVELTY 22
AC PIF.....	15	AP FXG NOVELTY 24
AC EPF + AC EPF	16	
Alina - inspirace.....	18	
AC 2BT	19	
Pastel		
PL PIV..... NOVELTY	28	
PL PIF..... NOVELTY	30	
PL TWU..... NOVELTY	32	
Novira		
NV PIGL + NV PIGR..... NOVELTY	36	NV 2BT..... NOVELTY 46
NV PIVL / NV PIVR..... NOVELTY	38	NP PIFL / NP PIFR..... NOVELTY 47
NV PIFL / NV PIFR..... NOVELTY	39	NP EPFL + NP EPFR..... NOVELTY 48
NV EPFL + NV EPFR..... NOVELTY	40	NP FXG..... NOVELTY 50
NV FXGL / NV FXGR..... NOVELTY	42	NP FXO..... NOVELTY 52
NV FXOL / NV FXOR..... NOVELTY	44	
Elegant Neo Line		
GR2N	56	
GDO1N + GDO1N	58	
GDO1N + GBN	60	
GDO1N + GZN	61	
BI PF2 + BI FXP	62	
BI PF2 + BI SET	64	
Walk In Line		
AI TWF..... NOVELTY	68	
MI TWF.....	70	
MI TWE.....	72	
CI TWF	74	
CI TWP	76	
PHILLY LOFT HORIZON.....	78	
WALK IN ATYP.....	79	
ECWALK.....	80	
Melina		
MI D55 + MI D55	84	
MI PIG + MI PIG.....	86	
MI EPF + MI EPF	87	
MI PIV / + MI FXP.....	88	
MI PIF / + MI FXP.....	90	
MI D2L / MI D2R	92	
MI FX2	94	
MI DWL / MI DWR.....	96	
Cariba		
Cariba - MISTY glass treatment.....	98	CI RFR / CI RFL..... 117
CI R55	102	CI FXP..... 118
CI P55	103	CI FXO..... 120
CI D3L / CI D3R.....	104	CI D2L / CI D2R..... 122
CI EPF + CI EPF	106	CI C2L + CI C2R
CI PIG + CI PIG.....	108	124
Ambient Line		
AMR2N.....	128	
AMD2.....	130	
AMD2 + AMB	131	
Mirror Effect	132	
Proxima Neo		
PX R55..... NOVELTY	136	
PX C2L + PX C2R..... NOVELTY	138	
PX PIV..... NOVELTY	140	
PX FXP..... NOVELTY	141	
PX D2N..... NOVELTY	142	
Limaya		
LYR4	146	
LYP2	148	
LYP2 + LYSW1AP2	149	
LYE4 + LYE4	150	
LYE4 + LYSW1S	152	
LYE4 + LZ	153	
LYE2 + LYE2	154	
LYE2 + LYSW1S	156	
LYE2 + LZ	157	
Lega Line		
LLR2	160	
LLS2.....	162	
LLDO1	164	
LLDO2.....	165	
LLDO1 + LLB	166	
LLDO2 + LLB.....	167	
LLD2	168	
LLD4	169	
PD3N	170	
PD3N + LLBD.....	172	
Atypical customized solution		174
Additional profiles		176
RothETC		178
SHELF UNI.....	179	
Cleaning blade	179	
Profiles and glass		180

Shower trays

■ Cast marble			
PRESTOL.....	182		
MARMO NEO.....	184		
DREAM-M.....	186		
TAHITI-M.....	186		
ALOHA-M.....	187		
MACAO-M.....	187		
RECTAN-M.....	188		
■ Acrylic			
FLAT ROUND.....	190		
HAWAII.....	190		
HAWAII-P.....	191		
FLAT KVADRO.....	191		
COLA.....	192		
COLA-P.....	192		
FLAT KVADRO.....	193		
		INTEGRO.....	194
		FLAT STONE.....	195
		■ Accessories	
		Shower tray legs.....	194
		Shower tray siphons.....	230
		Mounting kit for trays.....	231
		Cleaners.....	231

Bathtubs

■ Cast marble			
LINEA STONE WHITE.....	196		
■ Acrylic			
AVELLIA.....	NOVELTY 200		
KUBIC NEO.....	202		
KUBIC NEO SLIM.....	203		
MALIBU NEO.....	204		
KUBIC NEO 120 / 130.....	205		
KUBIC 190.....	205		
		ALBERENA WHITE.....	197
		ALLYSA BLACK / WHITE.....	198
		SAVONA NEO.....	206
		VANESSA NEO.....	207
		ACTIVA.....	208
		MINI.....	209
		EVA SIDE.....	209
		ISABELLA NEO.....	210
		HARMONIA.....	210
		ACTIVA NEO.....	211
		KUBIC ASYMMETRIC.....	212
		AMORE.....	212
		FLORA NEO.....	213
		SABRINA NEO.....	213
■ Bath screens		■ Accessories	
AC BAE.....	216	Bathtub legs.....	231
AC BAF.....	217	Bathtub siphons.....	231
AP BFL / AP BFR.....	NOVELTY 218	Cleaners.....	231
NV BAEL / NV BAER.....	NOVELTY 220		
NV BAFL / NV BAFR.....	NOVELTY 221		
NP BAFL / NP BAFR.....	NOVELTY 222		
		CI BAE.....	224
		CI BAF.....	225
		CI 2PL / CI 2PR.....	226
		PX BFX.....	NOVELTY 227
		LLV2.....	228
		LLVB.....	229
■ Vinata®	232	■ Vipanel	244

Project Line


■ Shower enclosures		■ Shower trays		■ Shower boxes	
EI TWF.....	258	DREAM-P.....	270	SIMPLE.....	275
EI TWA.....	259	DREAM FLAT.....	270	SIMPLE SQUARE.....	275
ARDIS.....	260	ALOHA-P.....	271	LANETA.....	276
JANDIS.....	260	ALOHA FLAT.....	271	MARINE.....	276
TALDIS / MUNDIS.....	261	SEMIDEEP NEO.....	272	LUCIDUS ROUND.....	277
ALBIS.....	262	VIKI LUX.....	272	LUCIDUS SQUARE.....	277
SUNDIS.....	262			NOVA.....	NOVELTY 277
ALBIS BLACK.....	263	■ Bathtubs and bath screens			
SUNDIS BLACK.....	263	CLASSIC PRO.....	273		
OBR2, OBS2.....	265	SALVIA.....	273		
OBD2, OBDO1.....	266	TULLIP.....	274		
OBB.....	267	SCREEN.....	274		
OBZD2, OBZB.....	268	SCREEN PRO.....	274		
LD3, LSB.....	269				

Info

■ General informations	279
■ Guarantee conditions	280
■ Technical specifications	281

Shower enclosures

summary

TYPE / OPENING	Alina	Pastel	Novira	Elegant Neo	Walk In	Melina	Cariba	Ambient	Proxima Neo	Limaya	Lega	Project
QUADRANT												
							102	128	136		160	261 262 265
												
						84	103			146		
				56								
												260
SQUARE AND RECTANGULAR												
							124		138		162	262 265
						94	123	131	141		167	266 268
	12		36			86	108			154		
	13	33	43			89	109			156	166	
	16 20		40 48			87	106			150		
	17 25	33	43 51			91	107			152		
				58								
				60 62					141			266
							119			149	167	
											167	

TYPE / OPENING	Alina	Pastel	Novira	Elegant Neo	Walk In	Melina	Cariba	Ambient	Proxima Neo	Limaya	Lega	Project
SQUARE AND RECTANGULAR												
							105				172	
							110					
NICHE DOORS												
	14	28	38			88	115			157	164	
									140			266
	15 22	30	39 47			90	114			153		
				61 64								
	19		46				113			148	165	
	18											
							116					
	13		44				120					
	17		45 52				121					
						92	122	130	142		168	266 268
											169	
							104				170	269
WALK IN TYPE												
	24	32	42 50		68 - 81	96						258

Roth Czech

about us



Roth Czech

The Roltechnik company, which has been producing sanitary products since 1991, has merged into a strong brand with the German manufacturer Roth, which, among other things, developed the world's first shower box in 1967. It has thus become a member of this family business, which brings customers a guarantee of long-term reliability and stability in the partnership,

as well as an emphasis on quality and innovation in the future. The result of this connection is the production of practical and attractive innovations for the bathroom, the house and the use of rainwater. Roth's first product saw the light of day in 1947. Since then, the company has come a very long way. Today, it is one of the world leaders in the segments

of energy conservation, surface heating, cooling and composite technologies. Roth also regularly sets new standards in modern construction technology. In-house research and development brings products that are carefully tailored to customer requirements. In practice, they are appreciated by many customers not only from between professionals.





■ **Roth service - qualified, comprehensive and fast**

Our Roth service experts are available to answer any questions you may have about Roth sanitary products after you purchase them! Our nationwide sales force will quickly advise you on business and technical issues - right at your doorstep.

Roth's quality service offering includes a guarantee of availability spare parts, short response times and fast delivery times.



The world of the Roth brand
composes technologies
for solutions full of energy

■ **Development for the future**

Roth's extensive team works on research and development as well as design to bring innovative solutions to innovation. This helps society survive the crisis and seize the chances for growth. It also builds a leading position in the market.



■ **The world of the Roth brand composes technologies for solutions full of energy**

This inspiring vision is the cornerstone of responsible business, which Roth cares about. The internationally active Roth company with more than 1,300 employees is a manufacturer of leading branded products that are used in the field of construction and industrial engineering.



Alina®

focused on style



A red circular badge with the word "NEW" in white, bold, sans-serif capital letters, positioned in the upper left area of the page.

NEW

Alina®

The wide range of hinged shower enclosures from our new Alina® line adds real character and style to any space.

Roth Alina® shower enclosures with designer swing fittings offer a wide range of door variants for individual solutions. Hinges with a 180° action radius offer optimum opening and closing convenience. **Height up to 2200 mm, convenient assembly with pre-installed hinges, new variants with wall profile on fixed glass, 3 colour variants** and with frameless hinge products - **atypical custom-made production**, which is Roth's strong point.

■ 8 mm ESG glass used for fixed and side elements and 6 mm for door parts

■ we deliver the frameless product as a custom solution, made exactly for your space

■ a wide range of possible situations that can be realized within this series

Alina®

focused on style

convenient assembly
with pre-installed hinges

AC PIG + AC PIG

square or rectangular shower enclosure made of two single opening doors AC PIG or a combination of door and a fixed wall AC FXG
+ option of a single door into a niche with an additional panel AC FXO

8 + 6 mm ESG Tempered glass
Transparent

8 mm fixed glass + 6 mm door glass



Colour
Brillant / Black / Brushed gold



■ AC PIG + AC PIG - Brillant

3 variants of the colour design to choose from

- we deliver the product as a **custom solution**, made exactly for your space
- fittings with an action radius of 180° for convenient opening in and out
- available height up to 2200 mm and wide range of product combinations



- The hinge for connection to the wall enables both-sided opening thanks to the 180° action radius.



- **AC FXG + AC PIG** - combination of a fixed side wall and a single opening door - Black design

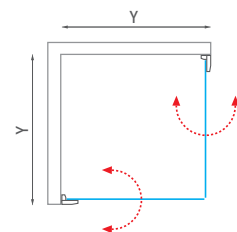


AC PIG (custom-made single opening shower door)

type	product width (y)	height (h)	colour	glass	delivery method	Price
AC PIG AT1200	up to 1000 mm	up to 2000*	brilliant	transparent	Z	1 104 €
AC PIG AT2220	up to 1000 mm	up to 2200*	brilliant	transparent	Z	1 326 €
AC PIG AT1200	up to 1000 mm	up to 2000*	black	transparent	Z	1 104 €
AC PIG AT2220	up to 1000 mm	up to 2200*	black	transparent	Z	1 326 €
AC PIG AT1200	up to 1000 mm	up to 2000*	brushed gold	transparent	Z	1 214 €
AC PIG AT2220	up to 1000 mm	up to 2200*	brushed gold	transparent	Z	1 460 €

Optional surcharged cutouts, slopes, and other glass types. / h* - maximum glass height without anchoring elements

■ AC PIG + AC PIG

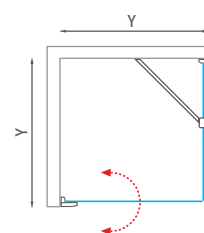


AC FXG (custom-made fixed side wall)

type	product width (y)	height (h)	colour	glass	delivery method	Price
AC FXG AT1200	up to 1500 mm	up to 2000*	brilliant	transparent	Z	958 €
AC FXG AT2220	up to 1500 mm	up to 2200*	brilliant	transparent	Z	1 118 €
AC FXG AT1200	up to 1500 mm	up to 2000*	black	transparent	Z	958 €
AC FXG AT2220	up to 1500 mm	up to 2200*	black	transparent	Z	1 118 €
AC FXG AT1200	up to 1500 mm	up to 2000*	brushed gold	transparent	Z	1 038 €
AC FXG AT2220	up to 1500 mm	up to 2200*	brushed gold	transparent	Z	1 246 €

Optional surcharged cutouts, slopes, and other glass types. / h* - maximum glass height without anchoring elements

■ AC PIG + AC FXG

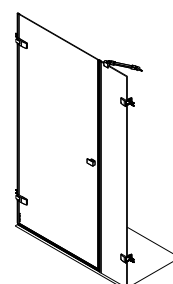


AC FXO (custom-made additional panel)

type	product width (y)	height (h)	colour	glass	delivery method	Price
AC FXO AT1200	up to 600 mm	up to 2000*	brilliant	transparent	Z	778 €
AC FXO AT2220	up to 600 mm	up to 2200*	brilliant	transparent	Z	936 €
AC FXO AT1200	up to 600 mm	up to 2000*	black	transparent	Z	778 €
AC FXO AT2220	up to 600 mm	up to 2200*	black	transparent	Z	936 €
AC FXO AT1200	up to 600 mm	up to 2000*	brushed gold	transparent	Z	858 €
AC FXO AT2220	up to 600 mm	up to 2200*	brushed gold	transparent	Z	1 026 €

Optional surcharged cutouts, slopes, and other glass types. / h* - maximum glass height without anchoring elements

■ AC PIG / left + AC FXO



The product is CUSTOM-MADE specifically for your situation, so it is necessary to measure the space well and specify the order in terms of determining the product variants, their required dimensions within the possible range according to the table, determining the side (left and right variants) and any other requirements. The resulting price is calculated individually by the merchant.

Alina®
focused on style

convenient assembly
with pre-installed hinges



■ AC PIV -Brushed gold

AC PIV



single opening door
for installation to a niche

- fittings with an action radius of 180°
- we deliver the product as a **custom solution**, made exactly for your space
- convenient entry thanks to opening in and out
- available height up to 2200 mm



6 mm ESG Tempered glass
Transparent



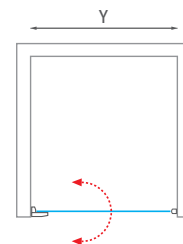
Colour
Brilliant / Black / Brushed gold

AC PIV (custom-made single shower door to a niche)

type	niche width (y)	height (h)	colour	glass	delivery method	Price
AC PIV AT1200	up to 1000 mm	up to 2000*	brilliant	transparent	Z	1 162 €
AC PIV AT2220	up to 1000 mm	up to 2200*	brilliant	transparent	Z	1 364 €
AC PIV AT1200	up to 1000 mm	up to 2000*	black	transparent	Z	1 162 €
AC PIV AT2220	up to 1000 mm	up to 2200*	black	transparent	Z	1 364 €
AC PIV AT1200	up to 1000 mm	up to 2000*	brushed gold	transparent	Z	1 250 €
AC PIV AT2220	up to 1000 mm	up to 2200*	brushed gold	transparent	Z	1 500 €

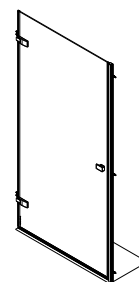
Optional surcharged cutouts, slopes, and other glass types. / h* - maximum glass height without anchoring elements

■ AC PIV

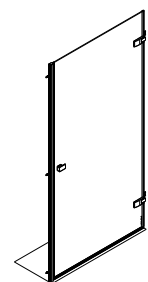


■ AC PIV - Brilliant

■ AC PIV / left



■ AC PIV / right



The product is CUSTOM-MADE specifically for your situation, so it is necessary to measure the space well and specify the order in terms of determining the product variants, their required dimensions within the possible range according to the table, determining the side (left and right variants) and any other requirements. The resulting price is calculated individually by the merchant.

3 variants of the colour design to choose from



■ AC PIF - Brillant

AC PIF



single opening door with a fixed part for installation to a niche

- available height up to 2200 mm
- fittings with an action radius of 180° for convenient opening in and out
- RothETC glass treatment for easy maintenance
- we deliver the product as a **custom solution**, made exactly for your space



8 + 6 mm ESG Tempered glass
Transparent
8 mm fixed glass + 6 mm door glass



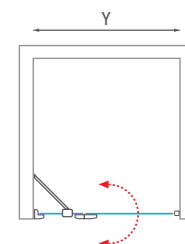
Colour
Brillant / Black / Brushed gold

AC PIF (custom-made single shower door with a fixed part to a niche)

type	niche width (y)	height (h)	colour	glass	delivery method	Price
AC PIF AT1200	up to 1500 mm	up to 2000*	brillant	transparent	Z	1 700 €
AC PIF AT2220	up to 1500 mm	up to 2200*	brillant	transparent	Z	2 036 €
AC PIF AT1200	up to 1500 mm	up to 2000*	black	transparent	Z	1 700 €
AC PIF AT2220	up to 1500 mm	up to 2200*	black	transparent	Z	2 036 €
AC PIF AT1200	up to 1500 mm	up to 2000*	brushed gold	transparent	Z	1 866 €
AC PIF AT2220	up to 1500 mm	up to 2200*	brushed gold	transparent	Z	2 240 €

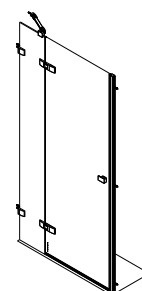
Optional surcharged cutouts, slopes, and other glass types. / h* - maximum glass height without anchoring elements

■ AC PIF

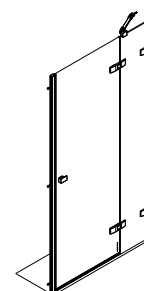


■ AC PIF - Black

■ AC PIF / left



■ AC PIF / right



The product is CUSTOM-MADE specifically for your situation, so it is necessary to measure the space well and specify the order in terms of determining the product variants, their required dimensions within the possible range according to the table, determining the side (left and right variants) and any other requirements. The resulting price is calculated individually by the merchant.

Alina®
focused on style

convenient assembly
with pre-installed hinges

AC EPF + AC EPF

square or rectangular shower enclosure made of two single opening doors
with a fixed part AC EPF or a combination of door and a fixed wall AC FXG
+ option of a single door into a niche with an additional panel AC FXO

8 + 6 mm ESG Tempered glass
Transparent

8 mm fixed glass + 6 mm door glass



Colour
Brilliant / Black / Brushed gold



■ AC EPF + AC EPF - Black

3 variants of the colour design to choose from

- we deliver the product as a **custom solution**, made exactly for your space
- fittings with an action radius of 180°
- convenient entry thanks to opening in and out



■ Handle in colour finishing- Gold brushed



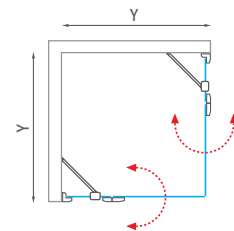
■ **AC FXG + AC EPF** - combination of single opening door with a fixed part and a side wall - Brushed gold

AC EPF (custom-made single opening shower door with a fixed part)

type	product width (y)	height (h)	colour	glass	delivery method	Price
AC EPF AT1200	up to 1500 mm	up to 2000*	brilliant	transparent	Z	1 408 €
AC EPF AT2220	up to 1500 mm	up to 2200*	brilliant	transparent	Z	1 730 €
AC EPF AT1200	up to 1500 mm	up to 2000*	black	transparent	Z	1 408 €
AC EPF AT2220	up to 1500 mm	up to 2200*	black	transparent	Z	1 730 €
AC EPF AT1200	up to 1500 mm	up to 2000*	brushed gold	transparent	Z	1 588 €
AC EPF AT2220	up to 1500 mm	up to 2200*	brushed gold	transparent	Z	1 906 €

Optional surcharged cutouts, slopes, and other glass types. / h* - maximum glass height without anchoring elements

■ AC EPF + AC EPF

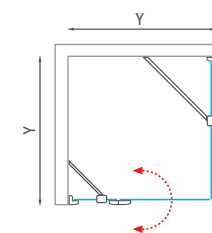


AC FXG (custom-made fixed side wall)

type	product width (y)	height (h)	colour	glass	delivery method	Price
AC FXG AT1200	up to 1500 mm	up to 2000*	brilliant	transparent	Z	958 €
AC FXG AT2220	up to 1500 mm	up to 2200*	brilliant	transparent	Z	1 118 €
AC FXG AT1200	up to 1500 mm	up to 2000*	black	transparent	Z	958 €
AC FXG AT2220	up to 1500 mm	up to 2200*	black	transparent	Z	1 118 €
AC FXG AT1200	up to 1500 mm	up to 2000*	brushed gold	transparent	Z	1 038 €
AC FXG AT2220	up to 1500 mm	up to 2200*	brushed gold	transparent	Z	1 246 €

Optional surcharged cutouts, slopes, and other glass types. / h* - maximum glass height without anchoring elements

■ AC EPF + AC FXG

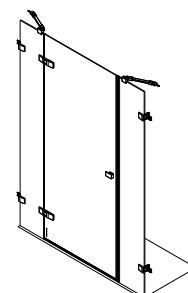


AC FXO (custom-made additional panel)

type	product width (y)	height (h)	colour	glass	delivery method	Price
AC FXO AT1200	up to 600 mm	up to 2000*	brilliant	transparent	Z	778 €
AC FXO AT2220	up to 600 mm	up to 2200*	brilliant	transparent	Z	936 €
AC FXO AT1200	up to 600 mm	up to 2000*	black	transparent	Z	778 €
AC FXO AT2220	up to 600 mm	up to 2200*	black	transparent	Z	936 €
AC FXO AT1200	up to 600 mm	up to 2000*	brushed gold	transparent	Z	858 €
AC FXO AT2220	up to 600 mm	up to 2200*	brushed gold	transparent	Z	1 026 €

Optional surcharged cutouts, slopes, and other glass types. / h* - maximum glass height without anchoring elements

■ AC EPF / left + AC FXO



The product is CUSTOM-MADE specifically for your situation, so it is necessary to measure the space well and specify the order in terms of determining the product variants, their required dimensions within the possible range according to the table, determining the side (left and right variants) and any other requirements. The resulting price is calculated individually by the merchant.

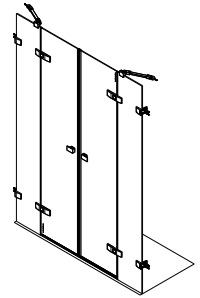
Alina®
focused on style

convenient assembly
with pre-installed hinges



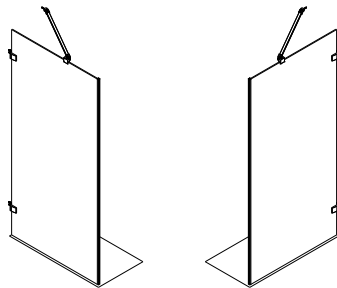
AC EPF + AC EPF

combination of two single opening shower doors
with a fixed part for installation to a niche



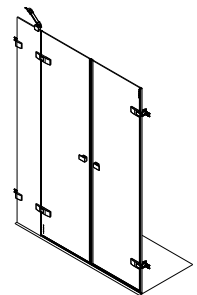
AC FXG

self-standing side wall as a walk-in solution



AC EPF + AC PIG

combination of two doors – single opening with a fixed part
and single opening – for installation to a niche



The product is CUSTOM-MADE specifically for your situation, so it is necessary to measure the space well and specify the order in terms of determining the product variants, their required dimensions within the possible range according to the table, determining the side (left and right variants) and any other requirements. The resulting price is calculated individually by the merchant.

3 variants of the colour design to choose from



AC 2BT



double opening shower doors
for installation to a niche

- fittings with an action radius of 180° for convenient opening in and out
- we deliver the product as a **custom solution**, made exactly for your space
- RothETC glass treatment for easy maintenance



6 mm ESG Tempered glass
Transparent



Colour
Brillant / Black / Brushed gold

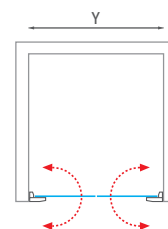
AC 2BT (custom-made double opening shower doors to a niche)

type	niche width (y)	height (h)	colour	glass	delivery method	Price
AC 2BT AT1200	up to 1500 mm	up to 2000*	brillant	transparent	Z	1 584 €
AC 2BT AT2220	up to 1500 mm	up to 2200*	brillant	transparent	Z	1 900 €
AC 2BT AT1200	up to 1500 mm	up to 2000*	black	transparent	Z	1 584 €
AC 2BT AT2220	up to 1500 mm	up to 2200*	black	transparent	Z	1 900 €
AC 2BT AT1200	up to 1500 mm	up to 2000*	brushed gold	transparent	Z	1 740 €
AC 2BT AT2220	up to 1500 mm	up to 2200*	brushed gold	transparent	Z	2 090 €

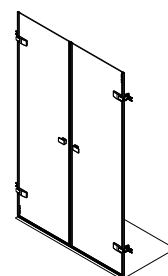
Optional surcharged cutouts, slopes, and other glass types. / h* - maximum glass height without anchoring elements



AC 2BT



AC 2BT



The product is CUSTOM-MADE specifically for your situation, so it is necessary to measure the space well and specify the order in terms of determining the product variants, their required dimensions within the possible range according to the table, determining the side (left and right variants) and any other requirements. The resulting price is calculated individually by the merchant.

Alina®
focused on style

wall profile and convenient assembly
with pre-installed hinges

AP AFL + AP AFR

square or rectangular shower enclosure made of two single opening doors
with a fixed part with profile or a combination of door and a fixed wall AP FXG

8 + 6 mm ESG Tempered glass
Transparent

8 mm fixed glass + 6 mm door glass



Colour
Brilliant / Black / Brushed Gold



■ AP AFL + AP AFR - Black

3 variants of the colour design to choose from

- the product is created by combining right and left-hand doors of your choice
- fittings with an action radius of 180° for convenient opening in and out
- **on request** - atypical solution available up to a height of 2200 mm



- The door hinge allows opening in both directions thanks to a 180° swing radius. Brilliant version

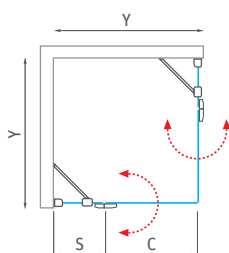


- **AP FXG + AP AFR** - combination of a fixed side wall and right-hand single door with a fixed part with profile – Brushed Gold finish

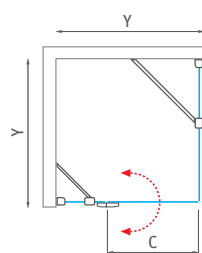
AP AFL / AP AFR (single opening door with a fixed part with profile)

type	ordering No. for left door AP AFL	ordering No. for right door AP AFR	installation width (y)	height (h)	door width (c)	side part width (s)	colour	glass	delivery method	Price
AP AFL/R - Brilliant variants										
AP AF. / 800	AP AFL 080200 VPE	AP AFR 080200 VPE	773–791	2000	563	223–241	brillant	transparent	Z	1 642 €
AP AF. / 900	AP AFL 090200 VPE	AP AFR 090200 VPE	873–891	2000	613	223–241	brillant	transparent	Z	1 642 €
AP AF. / 1000	AP AFL 100200 VPE	AP AFR 100200 VPE	973–991	2000	713	223–241	brillant	transparent	Z	1 734 €
AP AF. / 1100	AP AFL 110200 VPE	AP AFR 110200 VPE	1073–1091	2000	763	223–241	brillant	transparent	Z	1 734 €
AP AF. / 1200	AP AFL 120200 VPE	AP AFR 120200 VPE	1173–1191	2000	763	273–291	brillant	transparent	Z	1 734 €
AP AFL/R - Black variants										
AP AF. / 800	AP AFL 080200 NPE	AP AFR 080200 NPE	773–791	2000	563	223–241	black	transparent	Z	1 642 €
AP AF. / 900	AP AFL 090200 NPE	AP AFR 090200 NPE	873–891	2000	613	223–241	black	transparent	Z	1 642 €
AP AF. / 1000	AP AFL 100200 NPE	AP AFR 100200 NPE	973–991	2000	713	223–241	black	transparent	Z	1 734 €
AP AF. / 1100	AP AFL 110200 NPE	AP AFR 110200 NPE	1073–1091	2000	763	223–241	black	transparent	Z	1 734 €
AP AF. / 1200	AP AFL 120200 NPE	AP AFR 120200 NPE	1173–1191	2000	763	273–291	black	transparent	Z	1 734 €
AP AFL/R - Brushed variants										
AP AF. / 800	AP AFL 080200 GPE	AP AFR 080200 GPE	773–791	2000	563	223–241	brushed gold	transparent	Z	1 807 €
AP AF. / 900	AP AFL 090200 GPE	AP AFR 090200 GPE	873–891	2000	613	223–241	brushed gold	transparent	Z	1 807 €
AP AF. / 1000	AP AFL 100200 GPE	AP AFR 100200 GPE	973–991	2000	713	223–241	brushed gold	transparent	Z	1 906 €
AP AF. / 1100	AP AFL 110200 GPE	AP AFR 110200 GPE	1073–1091	2000	763	223–241	brushed gold	transparent	Z	1 906 €
AP AF. / 1200	AP AFL 120200 GPE	AP AFR 120200 GPE	1173–1191	2000	763	273–291	brushed gold	transparent	Z	1 906 €

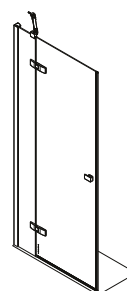
■ AP AFL + AP AFR



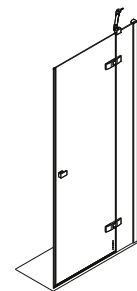
■ AP AFL + AP FXG



■ AP AFL / left



■ AP AFR / right



Nominal sizes of shower enclosures are designed for **INSTALLATION ON THE TRAY** and they are always assembled with indentation from the edge of the tray. With **INSTALLATION ON THE TILES** there is a risk, that the size of shower enclosure will be smaller than measured width of the tiles. It is necessary to follow the size charts on "TECHNICAL SPECIFICATION" pages at the end of our catalogue (p. 281–303).

Alina®
focused on style

wall profile and convenient assembly
with pre-installed hinges

AP PFL / AP PFR

single opening doors with a fixed part
with profile for installation to a niche

- fittings with an action radius of 180°
for convenient opening in and out
- **on request** - atypical solution available
up to a height of 2200 mm
- modern RothETC glass surface
treatment for easy maintenance



8 + 6 mm ESG Tempered glass
Transparent
8 mm fixed glass + 6 mm door glass



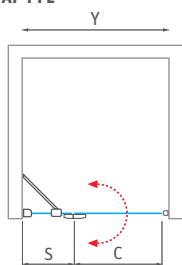
Colour
Brillant / Black / Brushed Gold



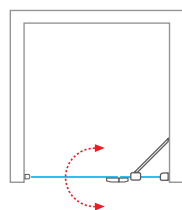
AP PFL / AP PFR (single opening door with a fixed part with profile to a niche)

type	ordering No. for left door AP PFL	ordering No. for right door AP PFR	installation width (y)	height (h)	door width (c)	side part width (s)	colour	glass	delivery method	Price
AP PFL/R - Brilliant variants										
AP PF. / 800	AP PFL 080200 VPE	AP PFR 080200 VPE	773-791	2000	563	223-241	brillant	transparent	Z	1 697 €
AP PF. / 900	AP PFL 090200 VPE	AP PFR 090200 VPE	873-891	2000	613	223-241	brillant	transparent	Z	1 697 €
AP PF. / 1000	AP PFL 100200 VPE	AP PFR 100200 VPE	973-991	2000	713	223-241	brillant	transparent	Z	1 793 €
AP PF. / 1200	AP PFL 120200 VPE	AP PFR 120200 VPE	1173-1191	2000	763	273-291	brillant	transparent	Z	1 793 €
AP PFL/R - Black variants										
AP PF. / 800	AP PFL 080200 NPE	AP PFR 080200 NPE	773-791	2000	563	223-241	black	transparent	Z	1 697 €
AP PF. / 900	AP PFL 090200 NPE	AP PFR 090200 NPE	873-891	2000	613	223-241	black	transparent	Z	1 697 €
AP PF. / 1000	AP PFL 100200 NPE	AP PFR 100200 NPE	973-991	2000	713	223-241	black	transparent	Z	1 793 €
AP PF. / 1200	AP PFL 120200 NPE	AP PFR 120200 NPE	1173-1191	2000	763	273-291	black	transparent	Z	1 793 €
AP PFL/R - Brushed Gold variants										
AP PF. / 800	AP PFL 080200 GPE	AP PFR 080200 GPE	773-791	2000	563	223-241	brushed gold	transparent	Z	1 866 €
AP PF. / 900	AP PFL 090200 GPE	AP PFR 090200 GPE	873-891	2000	613	223-241	brushed gold	transparent	Z	1 866 €
AP PF. / 1000	AP PFL 100200 GPE	AP PFR 100200 GPE	973-991	2000	713	223-241	brushed gold	transparent	Z	1 969 €
AP PF. / 1200	AP PFL 120200 GPE	AP PFR 120200 GPE	1173-1191	2000	763	273-291	brushed gold	transparent	Z	1 969 €

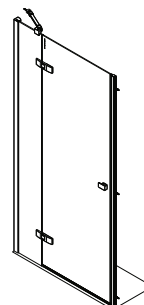
■ AP PFL



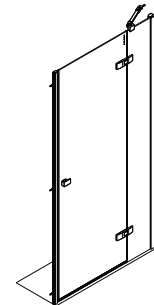
■ AP PFR



■ AP PFL / left



■ AP PFR / right



Nominal sizes of shower enclosures are designed for INSTALLATION ON THE TRAY and they are always assembled with indentation from the edge of the tray. With INSTALLATION ON THE TILES there is a risk, that the size of shower enclosure will be smaller than measured width of the tiles. It is necessary to follow the size charts on "TECHNICAL SPECIFICATION" pages at the end of our catalogue (p. 281-303).

3 variants of the colour design to choose from



■ The hinge connecting the fixed and door glass panels allows opening in both directions thanks to a 180° swing radius. Black finish.



■ AP PFL - Brillant

Alina®
focused on style

use of a standalone fixed panel
for a modern bathroom

NEW



■ AP FXG - Brushed gold

AP FXG

standalone walk-in shower screen or a side wall
to be combined with AP AFL / AP AFR doors

- a wide range of size options
- **on request** - atypical solution available up to a height of 2200 mm
- create an attractive shower space with a walk-in shower screen
- stability is ensured by a **flexible support bar** with a **high variability of mounting direction**

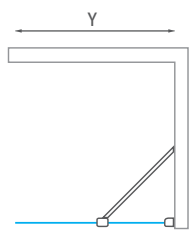
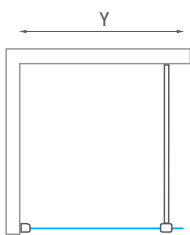


8 mm ESG Tempered glass
Transparent



Colour
Brillant / Black / Brushed Gold

- **AP FXG** - universal LEFT and RIGHT solution



■ AP FXG + AP AFR - Brillant

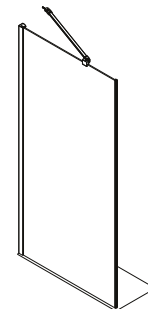


3 variants of the colour design to choose from

AP FXG (walk-in shower screen or a fixed side wall)							
type	ordering No.	installation width (y)	height (h)	colour	glass	delivery method	Price
AP FXG - Brilliant variants							
AP FXG / 800	AP FXG 080200 VPE	773-791	2000	brillant	transparent	Z	999 €
AP FXG / 900	AP FXG 090200 VPE	873-891	2000	brillant	transparent	Z	999 €
AP FXG / 1000	AP FXG 100200 VPE	973-991	2000	brillant	transparent	Z	1 054 €
AP FXG / 1100	AP FXG 110200 VPE	1073-1091	2000	brillant	transparent	Z	1 054 €
AP FXG / 1200	AP FXG 120200 VPE	1173-1191	2000	brillant	transparent	Z	1 054 €
AP FXG / 1400	AP FXG 140200 VPE	1373-1391	2000	brillant	transparent	Z	1 108 €
AP FXG / 1500	AP FXG 150200 VPE	1473-1491	2000	brillant	transparent	Z	1 108 €
AP FXG / 1600	AP FXG 160200 VPE	1573-1591	2000	brillant	transparent	Z	1 220 €
AP FXG / 1800	AP FXG 180200 VPE	1773-1791	2000	brillant	transparent	Z	1 331 €
AP FXG - Black variants							
AP FXG / 800	AP FXG 080200 NPE	773-791	2000	black	transparent	Z	999 €
AP FXG / 900	AP FXG 090200 NPE	873-891	2000	black	transparent	Z	999 €
AP FXG / 1000	AP FXG 100200 NPE	973-991	2000	black	transparent	Z	1 054 €
AP FXG / 1100	AP FXG 110200 NPE	973-991	2000	black	transparent	Z	1 054 €
AP FXG / 1200	AP FXG 120200 NPE	1173-1191	2000	black	transparent	Z	1 054 €
AP FXG / 1400	AP FXG 140200 NPE	1373-1391	2000	black	transparent	Z	1 108 €
AP FXG / 1500	AP FXG 150200 NPE	1473-1491	2000	black	transparent	Z	1 108 €
AP FXG / 1600	AP FXG 160200 NPE	1573-1591	2000	black	transparent	Z	1 220 €
AP FXG / 1800	AP FXG 180200 NPE	1773-1791	2000	black	transparent	Z	1 331 €
AP FXG - Brushed Gold variants							
AP FXG / 800	AP FXG 080200 GPE	773-791	2000	brushed gold	transparent	Z	1 098 €
AP FXG / 900	AP FXG 090200 GPE	873-891	2000	brushed gold	transparent	Z	1 098 €
AP FXG / 1000	AP FXG 100200 GPE	973-991	2000	brushed gold	transparent	Z	1 159 €
AP FXG / 1100	AP FXG 110200 GPE	973-991	2000	brushed gold	transparent	Z	1 159 €
AP FXG / 1200	AP FXG 120200 GPE	1173-1191	2000	brushed gold	transparent	Z	1 159 €
AP FXG / 1400	AP FXG 140200 NPE	1373-1391	2000	brushed gold	transparent	Z	1 220 €
AP FXG / 1500	AP FXG 150200 NPE	1473-1491	2000	brushed gold	transparent	Z	1 220 €
AP FXG / 1600	AP FXG 160200 NPE	1573-1591	2000	brushed gold	transparent	Z	1 342 €
AP FXG / 1800	AP FXG 180200 NPE	1773-1791	2000	brushed gold	transparent	Z	1 464 €



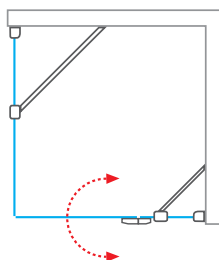
■ AP FXG / left installation



■ AP FXG / right installation



■ AP FXG + AP AFR



■ AP FXG + AP AFR - Black



Nominal sizes of shower enclosures are designed for INSTALLATION ON THE TRAY and they are always assembled with indentation from the edge of the tray. With INSTALLATION ON THE TILES there is a risk, that the size of shower enclosure will be smaller than measured width of the tiles. It is necessary to follow the size charts on "TECHNICAL SPECIFICATION" pages at the end of our catalogue (p. 281-303).

Pastel

the magic of colours

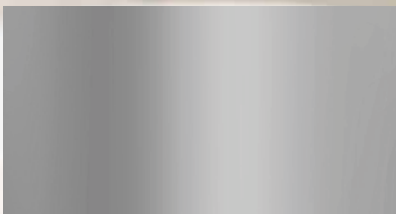
NEW

Pastel

Seven modern color shades – a truly rich palette of possibilities. Choose the one that matches your space and refine the design of your dream bathroom to colorful perfection.



■ Brushed Bronze (9PE)



■ Brillant (VPE)



■ Shiny Gold (8PE)



■ Brushed Gold (4PE)



■ Black Matt (7PE)



■ Brushed Rose Gold (5PE)



■ Brushed Gun Metal (6PE)



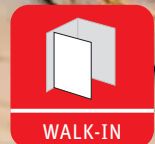
Possibility of new glass
and prints - p. 180–181



CORNER



NICHE



WALK-IN

Pastel
the magic of colours

convenient opening
in and out

PL PIV

single opening door for installation to a niche
or for combination with side wall PL TWU

8 mm ESG Tempered glass
Transparent



Profile colour
Brilliant, Shiny Gold, Brushed Gold,
Black Matt, Brushed Rose Gold,
Brushed Gun Metal, Brushed Bronze



■ PL PIV / Shiny gold

universal left and right solution

- the package includes an additional profile that extends installation flexibility by 10 mm
- easy installation with the option of a barrier-free solution by omitting the threshold strip
- the lifting system of the hinged doors allows opening in both directions



■ A high-quality, slim handle perfectly complements the door. The finish shown is Brushed Rose Gold

PL PIV (single opening door)

type	installation width (y)	installation width with addit. profie	height (h)	door width (c)	colour	glass	delivery method	Price
PL PIV/800	775-805	785-815	2000*	680	7 variant	transparent	Z	554 €
PL PIV/900	875-905	885-915	2000*	780	7 variant	transparent	Z	579 €
PL PIV/1000	975-1005	985-1015	2000*	880	7 variant	transparent	Z	604 €

h* - height including supporting elements

PL PIV (colour variant IDs)

type	Brillant	Brushed gold	Brushed rose gold	Brushed gun metal	Black matt	Shiny gold	Brushed bronze	Price
PL PIV/800	PL PIV 080200 VPE	PL PIV 080200 4PE	PL PIV 080200 5PE	PL PIV 080200 6PE	PL PIV 080200 7PE	PL PIV 080200 8PE	PL PIV 080200 9PE	554 €
PL PIV/900	PL PIV 090200 VPE	PL PIV 090200 4PE	PL PIV 090200 5PE	PL PIV 090200 6PE	PL PIV 090200 7PE	PL PIV 090200 8PE	PL PIV 090200 9PE	579 €
PL PIV/1000	PL PIV 100200 VPE	PL PIV 100200 4PE	PL PIV 100200 5PE	PL PIV 100200 6PE	PL PIV 100200 7PE	PL PIV 100200 8PE	PL PIV 100200 9PE	604 €

PL PIV (atypical customized solution)

type	width (y)	height (h)	colour	glass	delivery method	Price
PL PIV	do 1000 mm	do 2000 mm	7 variant	transparent	Z	on request

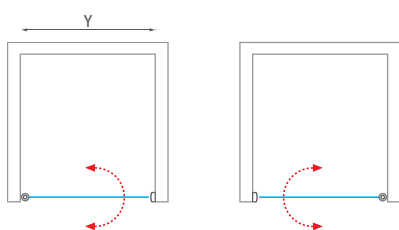


■ Brillant



■ Brushed gold

■ PL PIV - universal LEFT and RIGHT solution



■ Brushed rose gold



■ Brushed gun metal



■ Black matt



■ Brushed bronze



Nominal sizes of shower enclosures are designed for INSTALLATION ON THE TRAY and they are always assembled with indentation from the edge of the tray. With INSTALLATION ON THE TILES there is a risk, that the size of shower enclosure will be smaller than measured width of the tiles. It is necessary to follow the size charts on "TECHNICAL SPECIFICATION" pages at the end of our catalogue (p. 281-303).

Pastel

the magic of colours



convenient opening
in and out

PL PIF

single opening door with a fixed part for installation to a niche
or for combination with side wall PL TWU

- the lifting system of the hinged doors allows opening in both directions
- easy installation with the option of a barrier-free solution by omitting the threshold strip
- a wide range of size and color options with a standard height of 2 meters



■ Profiles and angled support bar for the PL PIF door. The version shown is Brushed Rose Gold.



8 mm ESG Tempered glass
Transparent



Profile colour
Brilliant, Shiny Gold, Brushed Gold, Black Matt, Brushed Rose Gold, Brushed Gun Metal, Brushed Bronze

PL PIF (single opening doors with a fixed part)

type	installation width (y)	height (h)	door width (c)	side part width (s)	profile	glass	delivery method	Price
PL PIF/800	778-818	2000*	485	235-260	7 variant	transparent	Z	616 €
PL PIF/900	878-918	2000*	585	235-260	7 variant	transparent	Z	641 €
PL PIF/1000	978-1018	2000*	685	235-260	7 variant	transparent	Z	666 €
PL PIF/1200	1178-1218	2000*	685	435-460	7 variant	transparent	Z	723 €
PL PIF/1400	1378-1418	2000*	685	635-660	7 variant	transparent	Z	774 €

h* - height including supporting elements

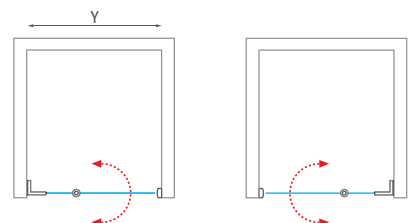
PL PIF (colour variant IDs)

type	Brilliant	Brushed gold	Brushed rose gold	Brushed gun metal	Black matt	Shiny gold	Brushed bronze	Price
PL PIF/800	PL PIF 080200 VPE	PL PIF 080200 4PE	PL PIF 080200 5PE	PL PIF 080200 6PE	PL PIF 080200 7PE	PL PIF 080200 8PE	PL PIF 080200 9PE	616 €
PL PIF/900	PL PIF 090200 VPE	PL PIF 090200 4PE	PL PIF 090200 5PE	PL PIF 090200 6PE	PL PIF 090200 7PE	PL PIF 090200 8PE	PL PIF 090200 9PE	641 €
PL PIF/1000	PL PIF 100200 VPE	PL PIF 100200 4PE	PL PIF 100200 5PE	PL PIF 100200 6PE	PL PIF 100200 7PE	PL PIF 100200 8PE	PL PIF 100200 9PE	666 €
PL PIF/1200	PL PIF 120200 VPE	PL PIF 120200 4PE	PL PIF 120200 5PE	PL PIF 120200 6PE	PL PIF 120200 7PE	PL PIF 120200 8PE	PL PIF 120200 9PE	723 €
PL PIF/1400	PL PIF 140200 VPE	PL PIF 140200 4PE	PL PIF 140200 5PE	PL PIF 140200 6PE	PL PIF 140200 7PE	PL PIF 140200 8PE	PL PIF 140200 9PE	774 €

PL PIF (atypical customized solution)

type	width (y)	height (h)	profile	glass	delivery method	Price
PL PIF	do 1400 mm	do 2000 mm	7 variant	transparent	Z	on request

■ PL PIF - universal LEFT and RIGHT solution



Nominal sizes of shower enclosures are designed for INSTALLATION ON THE TRAY and they are always assembled with indentation from the edge of the tray. With INSTALLATION ON THE TILES there is a risk, that the size of shower enclosure will be smaller than measured width of the tiles. It is necessary to follow the size charts on "TECHNICAL SPECIFICATION" pages at the end of our catalogue (p. 281–303).



■ Brillant

■ Brushed gold

■ Brushed rose gold

■ Black matt

■ Shiny gold

■ Brushed bronze



■ PL PIF / Brushed gun metal

Pastel
the magic of colours

an angled support bar
ensures optimal stability

PL TWU

standalone walk-in shower screen or a side wall
to be combined with PL PIV or PL PIF doors

8 mm ESG Tempered glass
Transparent



Profile colour
**Brilliant, Shiny Gold, Brushed Gold,
Black Matt, Brushed Rose Gold,
Brushed Gun Metal, Brushed Bronze**



■ PL TWU / Brushed bronze

universal left and right solution



■ The angled stabilizing support bar does not reduce space. The version shown is Brushed Bronze



■ By combining the PL PIV door and the PL TWU side panel, you can create a square or rectangular shower enclosure. The version shown is Brilliant.

PL TWU (walk-in shower screen or a fixed side wall)

type	installation width (y)	height (h)	profile	glass	delivery method	Price
PL TWU/800	753-778	2000*	7 variant	transparent	Z	407 €
PL TWU/900	853-878	2000*	7 variant	transparent	Z	433 €
PL TWU/1000	953-978	2000*	7 variant	transparent	Z	458 €
PL TWU/1200	1153-1178	2000*	7 variant	transparent	Z	509 €
PL TWU/1400	1353-1378	2000*	7 variant	transparent	Z	560 €

h* - height including supporting elements



PL TWU (colour variant IDs)

type	Brilliant	Brushed gold	Brushed rose gold	Brushed gun metal	Black matt	Shiny gold	Brushed bronze	Price
PL TWU/800	PL TWU 080200 VPE	PL TWU 080200 4PE	PL TWU 080200 5PE	PL TWU 080200 6PE	PL TWU 080200 7PE	PL TWU 080200 8PE	PL TWU 080200 9PE	407 €
PL TWU/900	PL TWU 090200 VPE	PL TWU 090200 4PE	PL TWU 090200 5PE	PL TWU 090200 6PE	PL TWU 090200 7PE	PL TWU 090200 8PE	PL TWU 090200 9PE	433 €
PL TWU/1000	PL TWU 100200 VPE	PL TWU 100200 4PE	PL TWU 100200 5PE	PL TWU 100200 6PE	PL TWU 100200 7PE	PL TWU 100200 8PE	PL TWU 100200 9PE	458 €
PL TWU/1200	PL TWU 120200 VPE	PL TWU 120200 4PE	PL TWU 120200 5PE	PL TWU 120200 6PE	PL TWU 120200 7PE	PL TWU 120200 8PE	PL TWU 120200 9PE	509 €
PL TWU/1400	PL TWU 140200 VPE	PL TWU 140200 4PE	PL TWU 140200 5PE	PL TWU 140200 6PE	PL TWU 140200 7PE	PL TWU 140200 8PE	PL TWU 140200 9PE	560 €

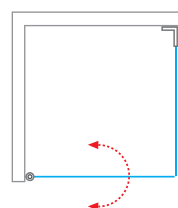
PL TWU (atypical customized solution)

type	width (y)	height (h)	profile	glass	delivery method	Price
PL TWU	do 1400 mm	do 2000 mm	7 variant	transparent	Z	on request

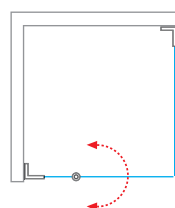
■ PL TWU - universal LEFT and RIGHT solution



■ PL PIV + PL TWU



■ PL PIF + PL TWU

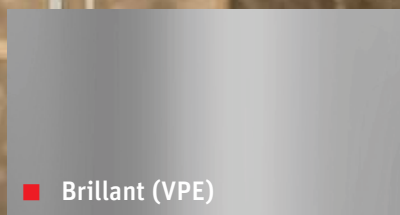
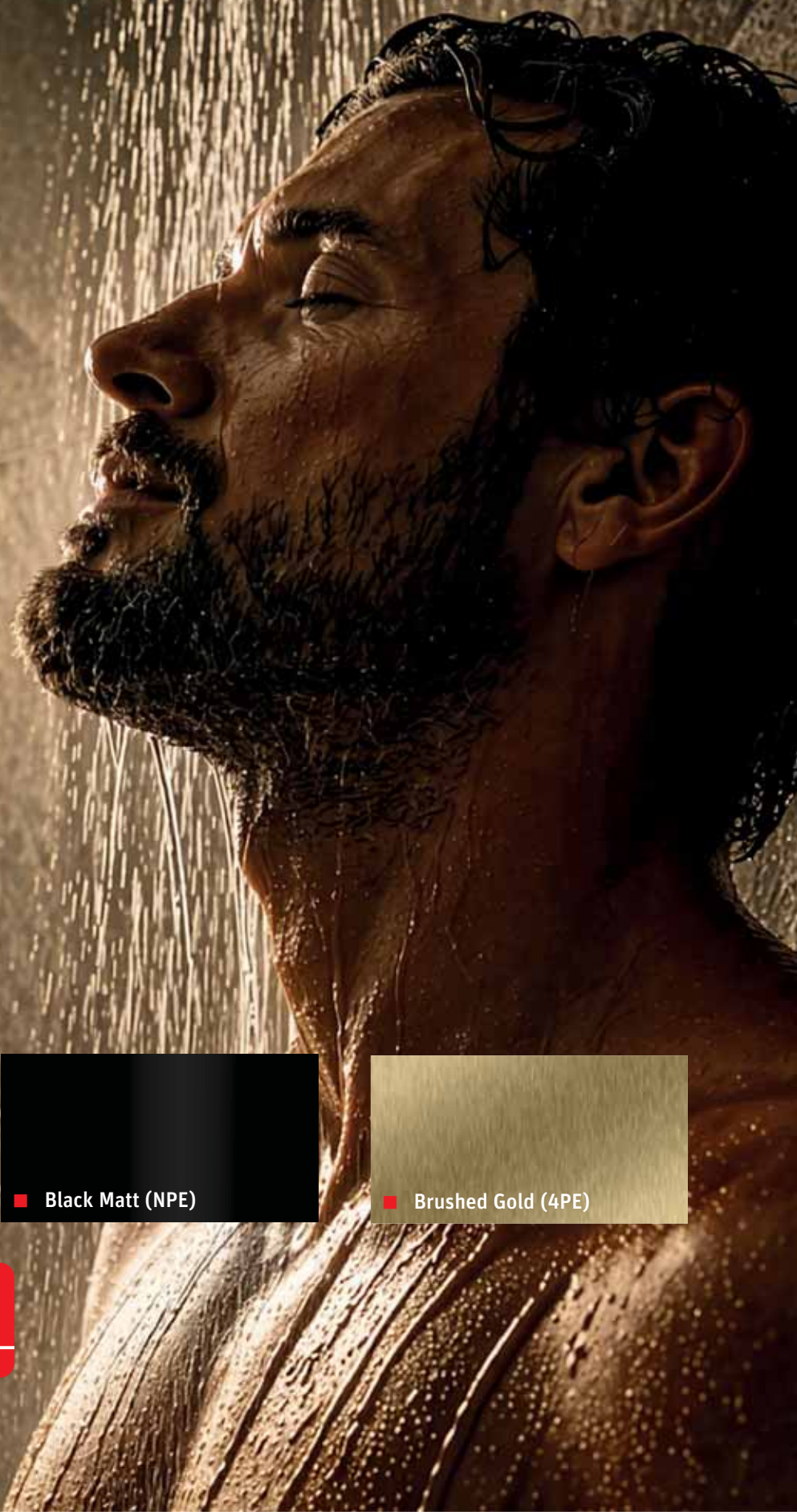


■ Combination of door PL PIF and fixed wall PL TWU creates rectangular or square shower enclosure Black matt variant.

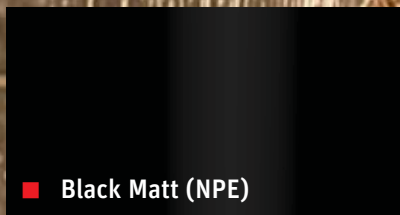


Nominal sizes of shower enclosures are designed for INSTALLATION ON THE TRAY and they are always assembled with indentation from the edge of the tray. With INSTALLATION ON THE TILES there is a risk, that the size of shower enclosure will be smaller than measured width of the tiles. It is necessary to follow the size charts on "TECHNICAL SPECIFICATION" pages at the end of our catalogue (p. 281-303).

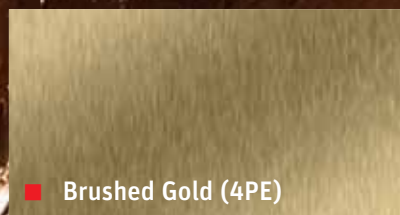
Novira
timeless solution



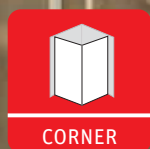
■ Brillant (VPE)



■ Black Matt (NPE)



■ Brushed Gold (4PE)



CORNER



NICHE



WALK-IN

NEW

Novira

A newly developed, comprehensive range of hinged shower enclosures brings true elegance and a timeless character to your bathroom.

Are you looking for a beautiful frameless solution for your shower space, without the visual weight of bulky frames?

Then this hinged series, available in three modern color finishes, is the perfect choice for you.

However, if you require greater flexibility and don't mind a wall profile, products starting with NP offer a wider installation range while further enhancing the overall stability of the enclosure.

- a wide range of combinations allows you to achieve a stunning bathroom looky
- 8 mm thick ESG safety glass with RothETC nano coating ensures easy maintenance
- the option of products with a profile for fixed panels enhances the flexibility of configurations

Novira
timeless solution

high-quality hinge design
with a lifting mechanism

NV PIGL + NV PIGR

square or rectangular shower enclosure made of two single opening doors
/ door for combination with fixed wall NV FXG or NV FXO

8 mm ESG Tempered glass
Transparent



Colour
Brillant / Black matt / Brushed gold



■ NV PIGL + NV PIGR - Brillant

doors with multiple configuration options for your bathroom

- available in three attractive colour options
- **on request** - atypical solution available up to a height of 2200 mm
- convenient entry through double-sided opening in and out



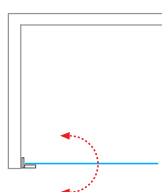
■ Handle of the Novira series in Black matt finish

NV PIGL / NV PIGR (single opening hinged shower door)									NOVELTY available from 08/2026
type	ordering No. for left door NV PIGL	ordering No. for right door NV PIGR	installation width (y)	height (h)	entrance width (c)	colour	glass	delivery method	Price
NV PIGL/R - Brillant variants									
NV PIG. / 800	NV PIGL 080200 VPE	NV PIGR 080200 VPE	772	2000	700	brillant	transparent	Z	650 €
NV PIG. / 900	NV PIGL 090200 VPE	NV PIGR 090200 VPE	872	2000	800	brillant	transparent	Z	684 €
NV PIG. / 1000	NV PIGL 100200 VPE	NV PIGR 100200 VPE	972	2000	900	brillant	transparent	Z	717 €
NV PIGL/R - Black matt variants									
NV PIG. / 800	NV PIGL 080200 NPE	NV PIGR 080200 NPE	772	2000	700	black matt	transparent	Z	650 €
NV PIG. / 900	NV PIGL 090200 NPE	NV PIGR 090200 NPE	872	2000	800	black matt	transparent	Z	684 €
NV PIG. / 1000	NV PIGL 100200 NPE	NV PIGR 100200 NPE	972	2000	900	black matt	transparent	Z	717 €
NV PIGL/R - Brushed gold variants									
NV PIG. / 800	NV PIGL 080200 4PE	NV PIGR 080200 4PE	772	2000	700	brushed gold	transparent	Z	930 €
NV PIG. / 900	NV PIGL 090200 4PE	NV PIGR 090200 4PE	872	2000	800	brushed gold	transparent	Z	979 €
NV PIG. / 1000	NV PIGL 100200 4PE	NV PIGR 100200 4PE	972	2000	900	brushed gold	transparent	Z	1 028 €

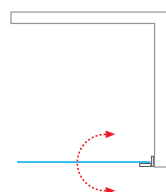
NV PIGL / NV PIGR (atypical customized solution)

type	width (y)	height (h)	colour	glass	delivery method	Price
NV PIGL / R	up to 1000 mm	up to 2000 mm	brillant / black matt	transparent	Z	on request
NV PIGL / R	up to 1000 mm	up to 2000 mm	brushed gold	transparent	Z	on request

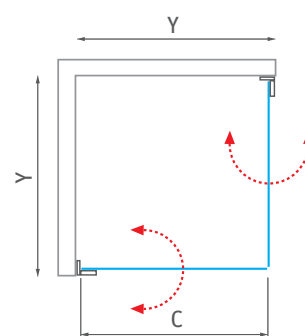
■ NV PIGL - left door



■ NV PIGR - right door



■ NV PIGL + NV PIGR



Nominal sizes of shower enclosures are designed for INSTALLATION ON THE TRAY and they are always assembled with indentation from the edge of the tray. With INSTALLATION ON THE TILES there is a risk, that the size of shower enclosure will be smaller than measured width of the tiles. It is necessary to follow the size charts on "TECHNICAL SPECIFICATION" pages at the end of our catalogue (p. 281–303).

Novira
timeless solution

NEW

high-quality hinge design
with a lifting mechanism



■ NV PIVL - Black matt

NV PIVL / R

single opening shower door for installation to a niche

- **on request** - atypical solution available up to a height of 2200 mm
- modern RothETC glass surface treatment for easy maintenance
- convenient entry through double-sided opening in and out



8 mm ESG Tempered glass
Transparent



Colour
Brilliant / Black matt / Brushed gold

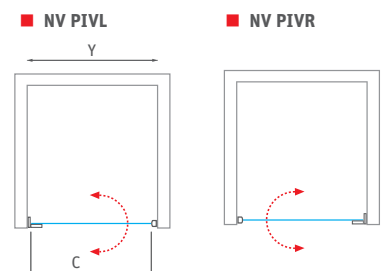
NV PIVL / NV PIVR (single opening hinged shower door to a niche)

NOVELTY
available from 08/2026

type	ordering No. for left door NV PIVL	ordering No. for right door NV PIVR	installation width (y)	height (h)	entrance width (c)	colour	glass	delivery method	Price
NV PIVL/R - Brilliant variants									
NV PIV. / 800	NV PIVL 080200 VPE	NV PIVR 080200 VPE	795-803	2000	720	brilliant	transparent	Z	746 €
NV PIV. / 900	NV PIVL 090200 VPE	NV PIVR 090200 VPE	895-903	2000	820	brilliant	transparent	Z	779 €
NV PIV. / 1000	NV PIVL 100200 VPE	NV PIVR 100200 VPE	995-1003	2000	920	brilliant	transparent	Z	812 €
NV PIVL/R - Black matt variants									
NV PIV. / 800	NV PIVL 080200 NPE	NV PIVR 080200 NPE	795-803	2000	720	black matt	transparent	Z	746 €
NV PIV. / 900	NV PIVL 090200 NPE	NV PIVR 090200 NPE	895-903	2000	820	black matt	transparent	Z	779 €
NV PIV. / 1000	NV PIVL 100200 NPE	NV PIVR 100200 NPE	995-1003	2000	920	black matt	transparent	Z	812 €
NV PIVL/R - Brushed gold variants									
NV PIV. / 800	NV PIVL 080200 4PE	NV PIVR 080200 4PE	795-803	2000	720	brushed gold	transparent	Z	1 068 €
NV PIV. / 900	NV PIVL 090200 4PE	NV PIVR 090200 4PE	895-903	2000	820	brushed gold	transparent	Z	1 118 €
NV PIV. / 1000	NV PIVL 100200 4PE	NV PIVR 100200 4PE	995-1003	2000	920	brushed gold	transparent	Z	1 167 €

NV PIVL / NV PIVR (atypical customized solution)

type	width (y)	height (h)	colour	glass	delivery method	Price
NV PIVL / R	up to 1000 mm	up to 2000 mm	brilliant / black matt	transparent	Z	on request
NV PIVL / R	up to 1000 mm	up to 2000 mm	brushed gold	transparent	Z	on request



Nominal sizes of shower enclosures are designed for INSTALLATION ON THE TRAY and they are always assembled with indentation from the edge of the tray. With INSTALLATION ON THE TILES there is a risk, that the size of shower enclosure will be smaller than measured width of the tiles. It is necessary to follow the size charts on "TECHNICAL SPECIFICATION" pages at the end of our catalogue (p. 281-303).

3 variants of the colour design to choose from



■ NV PIFR - Brushed gold

NV PIFL / R

single opening shower door with a fixed part to a niche

- standard height of 2 000 mm
- high-quality lift hinge mechanism enables inward and outward opening
- length of the angular support bar: 240 mm
- modern RothETC glass surface treatment for easy maintenance



8 mm ESG Tempered glass
Transparent

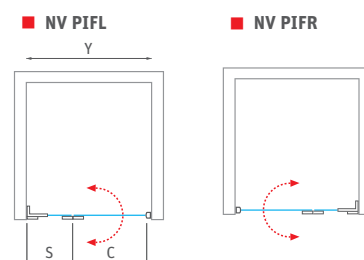


Colour
Brilliant / Black matt / Brushed gold

NV PIFL / NV PIFR (single opening hinged shower door with a fixed part to a niche)										NOVELTY available from 08/2026
type	ordering No. for left door NV PIFL	ordering No. for right door NV PIFR	installation width (y)	height (h)	entrance width (c)	side part width (s)	colour	glass	delivery method	Price
NV PIFL/R - Brilliant variants										
NV PIF. / 800	NV PIFL 080200 VPE	NV PIFR 080200 VPE	784-804	2000	462	265-277	brilliant	transparent	Z	879 €
NV PIF. / 900	NV PIFL 090200 VPE	NV PIFR 090200 VPE	884-904	2000	562	265-277	brilliant	transparent	Z	910 €
NV PIF. / 1000	NV PIFL 100200 VPE	NV PIFR 100200 VPE	984-1004	2000	562	365-377	brilliant	transparent	Z	943 €
NV PIF. / 1200	NV PIFL 120200 VPE	NV PIFR 120200 VPE	1184-1204	2000	762	365-377	brilliant	transparent	Z	1 010 €
NV PIFL/R - Black matt variants										
NV PIF. / 800	NV PIFL 080200 NPE	NV PIFR 080200 NPE	784-804	2000	462	265-277	black matt	transparent	Z	879 €
NV PIF. / 900	NV PIFL 090200 NPE	NV PIFR 090200 NPE	884-904	2000	562	265-277	black matt	transparent	Z	910 €
NV PIF. / 1000	NV PIFL 100200 NPE	NV PIFR 100200 NPE	984-1004	2000	562	365-377	black matt	transparent	Z	943 €
NV PIF. / 1200	NV PIFL 120200 NPE	NV PIFR 120200 NPE	1184-1204	2000	762	365-377	black matt	transparent	Z	1 010 €
NV PIFL/R - Brushed gold variants										
NV PIF. / 800	NV PIFL 080200 4PE	NV PIFR 080200 4PE	784-804	2000	462	265-277	brushed gold	transparent	Z	1 266 €
NV PIF. / 900	NV PIFL 090200 4PE	NV PIFR 090200 4PE	884-904	2000	562	265-277	brushed gold	transparent	Z	1 312 €
NV PIF. / 1000	NV PIFL 100200 4PE	NV PIFR 100200 4PE	984-1004	2000	562	365-377	brushed gold	transparent	Z	1 362 €
NV PIF. / 1200	NV PIFL 120200 4PE	NV PIFR 120200 4PE	1184-1204	2000	762	365-377	brushed gold	transparent	Z	1 460 €

NV PIFL / NV PIFR (atypical customized solution)

type	width (y)	height (h)	colour	glass	delivery method	Price
NV PIFL / R	up to 1400 mm	up to 2000 mm	brilliant / black matt	transparent	Z	on request
NV PIFL / R	up to 1400 mm	up to 2000 mm	brushed gold	transparent	Z	on request



Nominal sizes of shower enclosures are designed for INSTALLATION ON THE TRAY and they are always assembled with indentation from the edge of the tray. With INSTALLATION ON THE TILES there is a risk, that the size of shower enclosure will be smaller than measured width of the tiles. It is necessary to follow the size charts on "TECHNICAL SPECIFICATION" pages at the end of our catalogue (p. 281-303).

Novira
timeless solution

high-quality hinge design
with a lifting mechanism

NV EPFL + NV EPFR

square or rectangular shower enclosure
made of two single opening doors with a fixed part
/ door for combination with fixed wall NV FXG or NV FXO

8 mm ESG Tempered glass
Transparent



Colour
Brilliant / Black matt / Brushed gold



■ NV EPFL + NV EPFR - Brushed gold

doors with multiple configuration options for your bathroom

- length of the angular support bar: 240 mm
- **on request** - atypical solution available up to a height of 2200 mm
- convenient entry through double-sided opening in and out



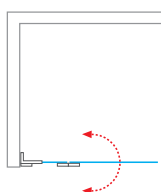
■ The hinge with lifting mechanism of the Novira series in Brillant finish.

NV EPFL / NV EPFR (single opening hinged shower door with a fixed part)										NOVELTY available from 08/2026
type	ordering No. for left door NV EPFL	ordering No. for right door NV EPFR	installation width (y)	height (h)	door width (c)	side part width (s)	colour	glass	delivery method	Price
NV EPFL/R - Brillant variants										
NV EPF. / 800	NV EPFL 080200 VPE	NV EPFR 080200 VPE	776-788	2000	455	260-272	brillant	transparent	Z	816 €
NV EPF. / 900	NV EPFL 090200 VPE	NV EPFR 090200 VPE	876-888	2000	555	260-272	brillant	transparent	Z	849 €
NV EPF. / 1000	NV EPFL 100200 VPE	NV EPFR 100200 VPE	976-988	2000	555	360-372	brillant	transparent	Z	882 €
NV EPF. / 1200	NV EPFL 120200 VPE	NV EPFR 120200 VPE	1179-1188	2000	755	360-372	brillant	transparent	Z	948 €
NV EPFL/R - Black matt variants										
NV EPF. / 800	NV EPFL 080200 NPE	NV EPFR 080200 NPE	776-788	2000	455	260-272	black matt	transparent	Z	816 €
NV EPF. / 900	NV EPFL 090200 NPE	NV EPFR 090200 NPE	876-888	2000	555	260-272	black matt	transparent	Z	849 €
NV EPF. / 1000	NV EPFL 100200 NPE	NV EPFR 100200 NPE	976-988	2000	555	360-372	black matt	transparent	Z	882 €
NV EPF. / 1200	NV EPFL 120200 NPE	NV EPFR 120200 NPE	1179-1188	2000	755	360-372	black matt	transparent	Z	948 €
NV EPFL/R - Brushed gold variants										
NV EPF. / 800	NV EPFL 080200 4PE	NV EPFR 080200 4PE	776-788	2000	455	260-272	brushed gold	transparent	Z	1 173 €
NV EPF. / 900	NV EPFL 090200 4PE	NV EPFR 090200 4PE	876-888	2000	555	260-272	brushed gold	transparent	Z	1 222 €
NV EPF. / 1000	NV EPFL 100200 4PE	NV EPFR 100200 4PE	976-988	2000	555	360-372	brushed gold	transparent	Z	1 271 €
NV EPF. / 1200	NV EPFL 120200 4PE	NV EPFR 120200 4PE	1179-1188	2000	755	360-372	brushed gold	transparent	Z	1 370 €

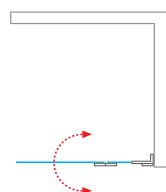
NV EPFL / NV EPFR (atypical customized solution)

type	width (y)	height (h)	colour	glass	delivery method	Price
NV EPFL / R	up to 1400 mm	up to 2000 mm	brillant / black matt	transparent	Z	on request
NV EPFL / R	up to 1400 mm	up to 2000 mm	brushed gold	transparent	Z	on request

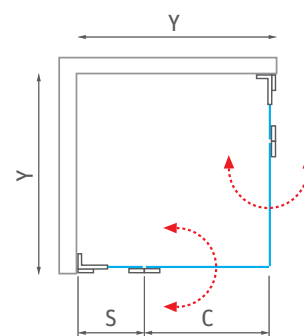
■ NV EPFL - left door



■ NV EPFR - right door



■ NV EPFL + NV EPFR



Nominal sizes of shower enclosures are designed for INSTALLATION ON THE TRAY and they are always assembled with indentation from the edge of the tray. With INSTALLATION ON THE TILES there is a risk, that the size of shower enclosure will be smaller than measured width of the tiles. It is necessary to follow the size charts on "TECHNICAL SPECIFICATION" pages at the end of our catalogue (p. 281-303).

Novira

timeless solution

3 variants of the colour design to choose from

NV FXGL / R

standalone walk-in shower screen or a side wall to be combined with NV PIG or NV EPF door

- on request - atypical solution available up to a height of 2200 mm
- length of the angular support bar: 500 mm
- modern RothETC glass surface treatment for easy maintenance



8 mm ESG Tempered glass
Transparent

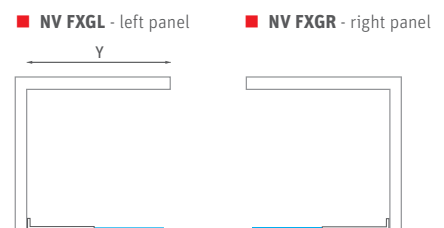


Colour
Brilliant / Black matt / Brushed gold



NV FXGL / NV FXGR (walk-in shower screen or a fixed side wall)								NOVELTY available from 08/2026
type	ordering No. for left panel NV FXGL	ordering No. for right panel NV FXGR	installation width (y)	height (h)	colour	glass	delivery method	Price
NV FXGL/R - varianty Brilliant								
NV FXG. / 800	NV FXGL 080200 VPE	NV FXGR 080200 VPE	764-776	2000	brilliant	transparent	Z	630 €
NV FXG. / 900	NV FXGL 090200 VPE	NV FXGR 090200 VPE	864-876	2000	brilliant	transparent	Z	663 €
NV FXG. / 1000	NV FXGL 100200 VPE	NV FXGR 100200 VPE	974-976	2000	brilliant	transparent	Z	696 €
NV FXG. / 1200	NV FXGL 120200 VPE	NV FXGR 120200 VPE	1164-1176	2000	brilliant	transparent	Z	763 €
NV FXGL/R - varianty Black matt								
NV FXG. / 800	NV FXGL 080200 NPE	NV FXGR 080200 NPE	764-776	2000	black matt	transparent	Z	630 €
NV FXG. / 900	NV FXGL 090200 NPE	NV FXGR 090200 NPE	864-876	2000	black matt	transparent	Z	663 €
NV FXG. / 1000	NV FXGL 100200 NPE	NV FXGR 100200 NPE	974-976	2000	black matt	transparent	Z	696 €
NV FXG. / 1200	NV FXGL 120200 NPE	NV FXGR 120200 NPE	1164-1176	2000	black matt	transparent	Z	763 €
NV FXGL/R - varianty Brushed gold								
NV FXG. / 800	NV FXGL 080200 4PE	NV FXGR 080200 4PE	764-776	2000	brushed gold	transparent	Z	905 €
NV FXG. / 900	NV FXGL 090200 4PE	NV FXGR 090200 4PE	864-876	2000	brushed gold	transparent	Z	954 €
NV FXG. / 1000	NV FXGL 100200 4PE	NV FXGR 100200 4PE	974-976	2000	brushed gold	transparent	Z	1 003 €
NV FXG. / 1200	NV FXGL 120200 4PE	NV FXGR 120200 4PE	1164-1176	2000	brushed gold	transparent	Z	1 103 €

NV FXGL / NV FXGR (atypical customized solution)						
type	width (y)	height (h)	colour	glass	delivery method	Price
NV FXGL / R	up to 1400 mm	up to 2000 mm	brilliant / black matt	transparent	Z	on request
NV FXGL / R	up to 1400 mm	up to 2000 mm	brushed gold	transparent	Z	on request

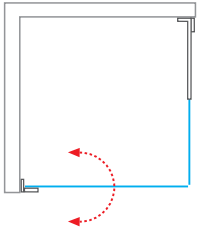


Nominal sizes of shower enclosures are designed for INSTALLATION ON THE TRAY and they are always assembled with indentation from the edge of the tray. With INSTALLATION ON THE TILES there is a risk, that the size of shower enclosure will be smaller than measured width of the tiles. It is necessary to follow the size charts on "TECHNICAL SPECIFICATION" pages at the end of our catalogue (p. 281-303).

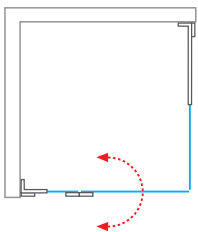
numerous standard door combinations available

NEW

■ NV PIGL + NV FXGR



■ NV EPFL + NV FXGR



■ NV PIGL + NV FXGR - Black matt

Novira

timeless solution

a practical extension
for modern niche doors



■ NV PIGL + NV FXOR - Brillant

NV FXOL / R

additional side wall for installation
of NV PIG or NV EPF door to a niche

- variable solution for easy creation of niche shower door
- create a width of shower door from 1 092 mm up to 1 716 mm
- **on request** - atypical solution available up to a height of 2200 mm



8 mm ESG Tempered glass
Transparent



Colour
Brillant / Black matt / Brushed gold

NV FXOL / NV FXOR (additional side panel for NV PIG or NV EPF)								NOVELTY available from 08/2026
type	ordering No. for left panel NV FXOL	ordering No. for right panel NV FXOR	installation width (y)	height (h)	colour	glass	delivery method	Price
NV FXOL/R - Brillant variants								
NV FXO. / 350	NV FXOL 035200 VPE	NV FXOR 035200 VPE	337-349	2000	brillant	transparent	Z	447 €
NV FXO. / 450	NV FXOL 045200 VPE	NV FXOR 045200 VPE	437-449	2000	brillant	transparent	Z	481 €
NV FXO. / 550	NV FXOL 055200 VPE	NV FXOR 055200 VPE	537-549	2000	brillant	transparent	Z	514 €
NV FXOL/R - Black matt variants								
NV FXO. / 350	NV FXOL 035200 NPE	NV FXOR 035200 NPE	337-349	2000	black matt	transparent	Z	447 €
NV FXO. / 450	NV FXOL 045200 NPE	NV FXOR 045200 NPE	437-449	2000	black matt	transparent	Z	481 €
NV FXO. / 550	NV FXOL 055200 NPE	NV FXOR 055200 NPE	537-549	2000	black matt	transparent	Z	514 €
NV FXOL/R - Brushed gold variants								
NV FXO. / 350	NV FXOL 035200 4PE	NV FXOR 035200 4PE	337-349	2000	brushed gold	transparent	Z	633 €
NV FXO. / 450	NV FXOL 045200 4PE	NV FXOR 045200 4PE	437-449	2000	brushed gold	transparent	Z	683 €
NV FXO. / 550	NV FXOL 055200 4PE	NV FXOR 055200 4PE	537-549	2000	brushed gold	transparent	Z	733 €

NV FXOL / NV FXOR (atypical customized solution)						
type	width (y)	height (h)	colour	glass	delivery method	Price
NV FXOL / R	up to 1000 mm	up to 2000 mm	brillant / black matt	transparent	Z	on request
NV FXOL / R	up to 1000 mm	up to 2000 mm	brushed gold	transparent	Z	on request



Nominal sizes of shower enclosures are designed for INSTALLATION ON THE TRAY and they are always assembled with indentation from the edge of the tray. With INSTALLATION ON THE TILES there is a risk, that the size of shower enclosure will be smaller than measured width of the tiles. It is necessary to follow the size charts on "TECHNICAL SPECIFICATION" pages at the end of our catalogue (p. 281-303).



■ NV FXOL + NV EPFR - Black matt

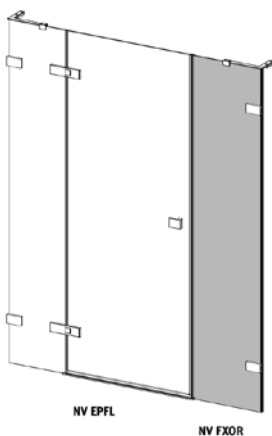
Choose the dimension you need!
By using this universal in-line side wall you can create truly great door for niche from the standard doors
NV PIG or **NV EPF...**



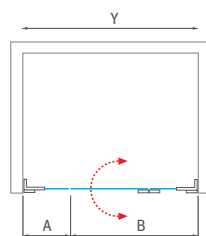
		Y (min-max)	NV EPF/800	NV EPF/900	NV EPF/1000	NV EPF/1200
			B	B	B	B
			755-767	855-867	955-967	1155-1167
NV FXO/350	A	337-349	1092-1116	1192-1216	1292-1316	1492-1516
NV FXO/450	A	437-449	1192-1216	1292-1316	1392-1416	1592-1616
NV FXO/550	A	537-549	1292-1316	1392-1416	1492-1516	1692-1716

		Y (min-max)	NV PIG/800	NV PIG/900	NV PIG/1000
			B	B	B
			755	855	955
NV FXO/330	A	337-349	1092-1104	1192-1204	1292-1304
NV FXO/430	A	437-449	1192-1204	1292-1304	1392-1404
NV FXO/530	A	537-549	1292-1304	1392-1404	1492-1504

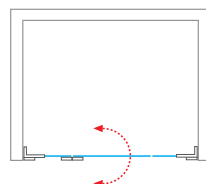
■ NV EPFL + NV FXOR



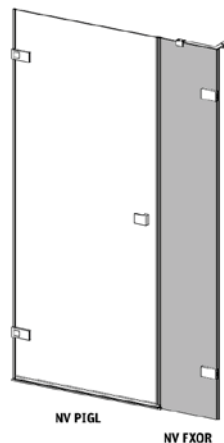
■ NV FXOL + NV EPFR



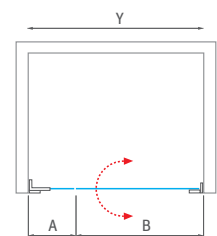
■ NV EPFL + NV FXOR



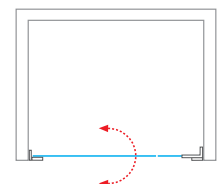
■ NV PIGL + NV FXOR



■ NV FXOL + NV PIGR



■ NV PIGL + NV FXOR



Novira
timeless solution



high-quality hinge design
with a lifting mechanism



■ NV 2BT - Brillant

NV 2BT

double opening shower door for installation to a niche

- on request - atypical solution available up to a height of 2200 mm
- we recommend a custom-made solution based on precise site measurements
- modern RothETC glass surface treatment for easy maintenance



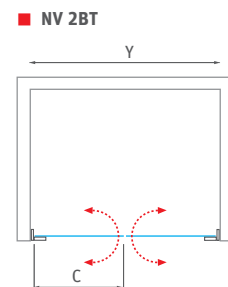
8 mm ESG Tempered glass
Transparent



Colour
Brillant / Black matt / Brushed gold

NV 2BT (double opening hinged shower doors to a niche)								NOVELTY available from 08/2026
type	ordering No.	installation width (y)	height (h)	door width (c)	colour	glass	delivery method	Price
NV 2BT - Brillant variants								
NV 2BT / 800	NV 2BT AT0800 VPE	800	2000	350	brillant	transparent	Z	896 €
NV 2BT / 900	NV 2BT AT0900 VPE	900	2000	400	brillant	transparent	Z	930 €
NV 2BT / 1000	NV 2BT AT1000 VPE	1000	2000	450	brillant	transparent	Z	963 €
NV 2BT - Black matt variants								
NV 2BT / 800	NV 2BT AT0800 NPE	800	2000	350	black matt	transparent	Z	896 €
NV 2BT / 900	NV 2BT AT0900 NPE	900	2000	400	black matt	transparent	Z	930 €
NV 2BT / 1000	NV 2BT AT1000 NPE	1000	2000	450	black matt	transparent	Z	963 €
NV 2BT - Brushed gold variants								
NV 2BT / 800	NV 2BT AT0800 4PE	800	2000	350	brushed gold	transparent	Z	1 290 €
NV 2BT / 900	NV 2BT AT0900 4PE	900	2000	400	brushed gold	transparent	Z	1 340 €
NV 2BT / 1000	NV 2BT AT1000 4PE	1000	2000	450	brushed gold	transparent	Z	1 389 €

NV 2BT (atypical customized solution)						
type	width (y)	height (h)	colour	glass	delivery method	Price
NV 2BT	up to 1400 mm	up to 2000 mm	brillant / black matt	transparent	Z	on request
NV 2BT	up to 1400 mm	up to 2000 mm	brushed gold	transparent	Z	on request



Nominal sizes of shower enclosures are designed for INSTALLATION ON THE TRAY and they are always assembled with indentation from the edge of the tray. With INSTALLATION ON THE TILES there is a risk, that the size of shower enclosure will be smaller than measured width of the tiles. It is necessary to follow the size charts on "TECHNICAL SPECIFICATION" pages at the end of our catalogue (p. 281-303).

wall profile to increase installation variability



■ NP PIFR - Brushed gold

NP PIFL / R

single opening shower door with a fixed part with profile for installation to a niche

- standard height of 2 000 mm
- on request - atypical solution available up to a height of 2200 mm
- RothETC glass surface treatment for easy maintenance



8 mm ESG Tempered glass
Transparent



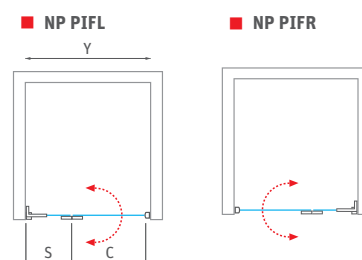
Colour
Brilliant / Black matt / Brushed gold

NP PIFL / NP PIFR (single opening shower door with a fixed part with profile to a niche) NOVELTY available from 08/2026

type	ordering No. for left door NP PIFL	ordering No. for right door NP PIFR	installation width (y)	height (h)	entrance width (c)	side part width (s)	colour	glass	delivery method	Price
NP PIFL/R - Brilliant variants										
NP PIF. / 800	NP PIFL 080200 VPE	NP PIFR 080200 VPE	780-808	2000	462	270-290	brilliant	transparent	Z	1 017 €
NP PIF. / 900	NP PIFL 090200 VPE	NP PIFR 090200 VPE	880-908	2000	562	270-290	brilliant	transparent	Z	1 052 €
NP PIF. / 1000	NP PIFL 100200 VPE	NP PIFR 100200 VPE	980-1008	2000	562	370-390	brilliant	transparent	Z	1 085 €
NP PIF. / 1200	NP PIFL 120200 VPE	NP PIFR 120200 VPE	1180-1208	2000	762	370-390	brilliant	transparent	Z	1 149 €
NP PIFL/R - Black matt variants										
NP PIF. / 800	NP PIFL 080200 NPE	NP PIFR 080200 NPE	780-808	2000	462	270-290	black matt	transparent	Z	1 017 €
NP PIF. / 900	NP PIFL 090200 NPE	NP PIFR 090200 NPE	880-908	2000	562	270-290	black matt	transparent	Z	1 052 €
NP PIF. / 1000	NP PIFL 100200 NPE	NP PIFR 100200 NPE	980-1008	2000	562	370-390	black matt	transparent	Z	1 085 €
NP PIF. / 1200	NP PIFL 120200 NPE	NP PIFR 120200 NPE	1180-1208	2000	762	370-390	black matt	transparent	Z	1 149 €
NP PIFL/R - Brushed gold variants										
NP PIF. / 800	NP PIFL 080200 4PE	NP PIFR 080200 4PE	780-808	2000	462	270-290	brushed gold	transparent	Z	1 456 €
NP PIF. / 900	NP PIFL 090200 4PE	NP PIFR 090200 4PE	880-908	2000	562	270-290	brushed gold	transparent	Z	1 508 €
NP PIF. / 1000	NP PIFL 100200 4PE	NP PIFR 100200 4PE	980-1008	2000	562	370-390	brushed gold	transparent	Z	1 558 €
NP PIF. / 1200	NP PIFL 120200 4PE	NP PIFR 120200 4PE	1180-1208	2000	762	370-390	brushed gold	transparent	Z	1 653 €

NP PIFL / NP PIFR (atypical customized solution)

type	width (y)	height (h)	colour	glass	delivery method	Price
NP PIFL / R	up to 1400 mm	up to 2000 mm	brilliant / black matt	transparent	Z	on request
NP PIFL / R	up to 1400 mm	up to 2000 mm	brushed gold	transparent	Z	on request



Nominal sizes of shower enclosures are designed for INSTALLATION ON THE TRAY and they are always assembled with indentation from the edge of the tray. With INSTALLATION ON THE TILES there is a risk, that the size of shower enclosure will be smaller than measured width of the tiles. It is necessary to follow the size charts on "TECHNICAL SPECIFICATION" pages at the end of our catalogue (p. 281-303).

Novira
timeless solution

wall profile to increase
installation variability

NP EPFL + NP EPFR

square or rectangular shower enclosure
made of two single opening doors with a fixed part with profile
/ door for combination with fixed wall NP FXG or NP FXO

8 mm ESG Tempered glass
Transparent



Colour
Brilliant / Black matt / Brushed gold



■ NP EPFL + NP EPFR - Brilliant

doors with multiple configuration options for your bathroom

- available in three attractive colour options
- **on request** - atypical solution available up to a height of 2200 mm
- convenient entry through double-sided opening in and out

NEW



■ Wall profile, angular support bar and the hinge of the Novira series in Brushed gold finish.

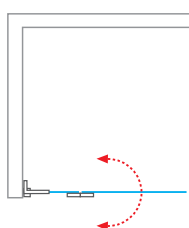
NP EPFL / NP EPFR (single opening shower door with a fixed part with profile) NOVELTY available from 08/2026

type	ordering No. for left door NP EPFL	ordering No. for right door NP EPFR	installation width (y)	height (h)	door width (c)	side part width (s)	colour	glass	delivery method	Price
NP EPFL/R - Brillant variants										
NP EPF. / 800	NP EPFL 080200 VPE	NP EPFR 080200 VPE	765-785	2000	455	260-280	brillant	transparent	Z	933 €
NP EPF. / 900	NP EPFL 090200 VPE	NP EPFR 090200 VPE	865-885	2000	555	260-280	brillant	transparent	Z	967 €
NP EPF. / 1000	NP EPFL 100200 VPE	NP EPFR 100200 VPE	965-985	2000	555	360-380	brillant	transparent	Z	1 000 €
NP EPF. / 1200	NP EPFL 120200 VPE	NP EPFR 120200 VPE	1165-1185	2000	755	360-380	brillant	transparent	Z	1 066 €
NP EPFL/R - Black matt variants										
NP EPF. / 800	NP EPFL 080200 NPE	NP EPFR 080200 NPE	765-785	2000	455	260-280	black matt	transparent	Z	933 €
NP EPF. / 900	NP EPFL 090200 NPE	NP EPFR 090200 NPE	865-885	2000	555	260-280	black matt	transparent	Z	967 €
NP EPF. / 1000	NP EPFL 100200 NPE	NP EPFR 100200 NPE	965-985	2000	555	360-380	black matt	transparent	Z	1 000 €
NP EPF. / 1200	NP EPFL 120200 NPE	NP EPFR 120200 NPE	1165-1185	2000	755	360-380	black matt	transparent	Z	1 066 €
NP EPFL/R - Brushed gold variants										
NP EPF. / 800	NP EPFL 080200 4PE	NP EPFR 080200 4PE	765-785	2000	455	260-280	brushed gold	transparent	Z	1 332 €
NP EPF. / 900	NP EPFL 090200 4PE	NP EPFR 090200 4PE	865-885	2000	555	260-280	brushed gold	transparent	Z	1 381 €
NP EPF. / 1000	NP EPFL 100200 4PE	NP EPFR 100200 4PE	965-985	2000	555	360-380	brushed gold	transparent	Z	1 431 €
NP EPF. / 1200	NP EPFL 120200 4PE	NP EPFR 120200 4PE	1165-1185	2000	755	360-380	brushed gold	transparent	Z	1 529 €

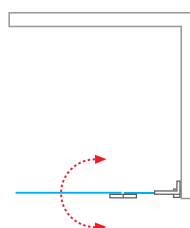
NP EPFL / NP EPFR (atypical customized solution)

type	width (y)	height (h)	colour	glass	delivery method	Price
NP EPFL / R	up to 1400 mm	up to 2000 mm	brillant / black matt	transparent	Z	on request
NP EPFL / R	up to 1400 mm	up to 2000 mm	brushed gold	transparent	Z	on request

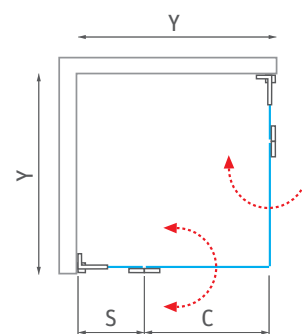
■ NP EPFL - left door



■ NP EPFR - right door



■ NP EPFL + NP EPFR



Nominal sizes of shower enclosures are designed for INSTALLATION ON THE TRAY and they are always assembled with indentation from the edge of the tray. With INSTALLATION ON THE TILES there is a risk, that the size of shower enclosure will be smaller than measured width of the tiles. It is necessary to follow the size charts on "TECHNICAL SPECIFICATION" pages at the end of our catalogue (p. 281-303).

Novira

timeless solution

wall profile to increase installation variability

NP FXG

standalone walk-in shower screen with profile or a side wall to be combined with NP EPF door

- on request - atypical solution available up to a height of 2200 mm
- easy installation on both shower trays and tiled floors
- modern RothETC glass surface treatment for easy maintenance



8 mm ESG Tempered glass
Transparent



Colour
Brillant / Black matt / Brushed gold



NP FXG (walk-in shower screen or a fixed side wall)							NOVELTY available from 08/2026
type	ordering No.	installation width (y)	height (h)	colour	glass	delivery method	Price
NP FXG - Brillant variants							
NP FXG / 800	NP FXG 080200 VPE	759-779	2000	brillant	transparent	Z	706 €
NP FXG / 900	NP FXG 090200 VPE	859-879	2000	brillant	transparent	Z	739 €
NP FXG / 1000	NP FXG 100200 VPE	959-979	2000	brillant	transparent	Z	773 €
NP FXG / 1200	NP FXG 120200 VPE	1159-1179	2000	brillant	transparent	Z	806 €
NP FXG - Black matt variants							
NP FXG / 800	NP FXG 080200 NPE	759-779	2000	black matt	transparent	Z	706 €
NP FXG / 900	NP FXG 090200 NPE	859-879	2000	black matt	transparent	Z	739 €
NP FXG / 1000	NP FXG 100200 NPE	959-979	2000	black matt	transparent	Z	773 €
NP FXG / 1200	NP FXG 120200 NPE	1159-1179	2000	black matt	transparent	Z	806 €
NP FXG - Brushed gold variants							
NP FXG / 800	NP FXG 080200 4PE	759-779	2000	brushed gold	transparent	Z	1 002 €
NP FXG / 900	NP FXG 090200 4PE	859-879	2000	brushed gold	transparent	Z	1 052 €
NP FXG / 1000	NP FXG 100200 4PE	959-979	2000	brushed gold	transparent	Z	1 101 €
NP FXG / 1200	NP FXG 120200 4PE	1159-1179	2000	brushed gold	transparent	Z	1 151 €

NP FXG (atypical customized solution)						
type	width (y)	height (h)	colour	glass	delivery method	Price
NP FXG	up to 1400 mm	up to 2000 mm	brillant / black matt	transparent	Z	on request
NP FXG	up to 1400 mm	up to 2000 mm	brushed gold	transparent	Z	on request

■ NP FXG - universal LEFT and RIGHT solution

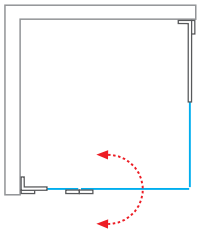


Nominal sizes of shower enclosures are designed for INSTALLATION ON THE TRAY and they are always assembled with indentation from the edge of the tray. With INSTALLATION ON THE TILES there is a risk, that the size of shower enclosure will be smaller than measured width of the tiles. It is necessary to follow the size charts on "TECHNICAL SPECIFICATION" pages at the end of our catalogue (p. 281-303).

numerous standard door combinations available

NEW

■ NP EPFL + NP FXG



■ NP FXG - Brushed gold



■ NP EPFL + NP FXG - Black matt

Novira

timeless solution

a practical extension
for modern niche doors

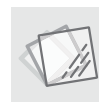


■ NP EPFL + NP FXO - Black matt

NP FXO

additional side wall with profile
for installation of NP EPF door to a niche

- variable solution for easy creation of great niche shower door
- create a width of shower door from 1 070 mm up to 1 710 mm
- **on request** - atypical solution available up to a height of 2200 mm



8 mm ESG Tempered glass
Transparent



Colour
Brillant / Black matt / Brushed gold

NP FXO (additional side panel with profile for NP EPF)

NOVELTY

available from 08/2026

type	ordering No.	installation width (y)	height (h)	colour	glass	delivery method	Price
NP FXO - Brillant variants							
NP FXO / 350	NP FXO 035200 VPE	324-344	2000	brillant	transparent	Z	522 €
NP FXO / 450	NP FXO 045200 VPE	424-444	2000	brillant	transparent	Z	556 €
NP FXO / 550	NP FXO 055200 VPE	524-544	2000	brillant	transparent	Z	589 €
NP FXO - Black matt variants							
NP FXO / 350	NP FXO 035200 NPE	324-344	2000	black matt	transparent	Z	522 €
NP FXO / 450	NP FXO 045200 NPE	424-444	2000	black matt	transparent	Z	556 €
NP FXO / 550	NP FXO 055200 NPE	524-544	2000	black matt	transparent	Z	589 €
NP FXO - Brushed gold variants							
NP FXO / 350	NP FXO 035200 4PE	324-344	2000	brushed gold	transparent	Z	730 €
NP FXO / 450	NP FXO 045200 4PE	424-444	2000	brushed gold	transparent	Z	780 €
NP FXO / 550	NP FXO 055200 4PE	524-544	2000	brushed gold	transparent	Z	829 €

NP FXO (atypical customized solution)

type	width (y)	height (h)	colour	glass	delivery method	Price
NP FXO	up to 1000 mm	up to 2000 mm	brillant / black matt	transparent	Z	on request
NP FXO	up to 1000 mm	up to 2000 mm	brushed gold	transparent	Z	on request



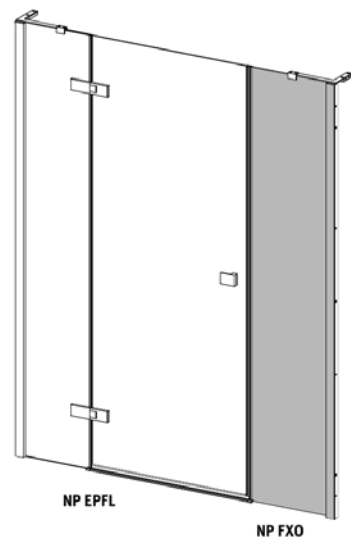
Nominal sizes of shower enclosures are designed for INSTALLATION ON THE TRAY and they are always assembled with indentation from the edge of the tray. With INSTALLATION ON THE TILES there is a risk, that the size of shower enclosure will be smaller than measured width of the tiles. It is necessary to follow the size charts on "TECHNICAL SPECIFICATION" pages at the end of our catalogue (p. 281-303).



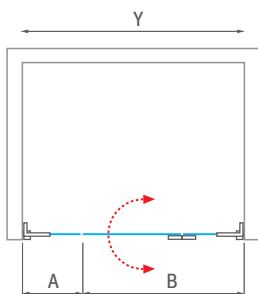
Are you planning spacious modern niche doors with wide glass panels? Are the standard dimensions from our range not enough for you? By combining this side panel extension with the **NP EPF** doors, you will get a designer feature that will truly dominate your bathroom...

Y (min-max)	NP EPF/800		NP EPF/900		NP EPF/1000		NP EPF/1200	
	A	B	A	B	A	B	A	B
		746-766		846-866		946-966		1146-1166
NP FXO/350	A	324-344	1070-1110	1170-1210	1270-1310	1470-1510		
NP FXO/450	A	424-444	1170-1210	1270-1310	1370-1410	1570-1610		
NP FXO/550	A	524-544	1270-1310	1370-1410	1470-1510	1670-1710		

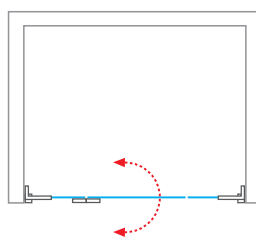
■ NP EPFL + NP FXO



■ NP FXO + NP EPFR



■ NP EPFL + NP FXO



Elegant Neo Line
lightness and elegance

Elegant Neo Line

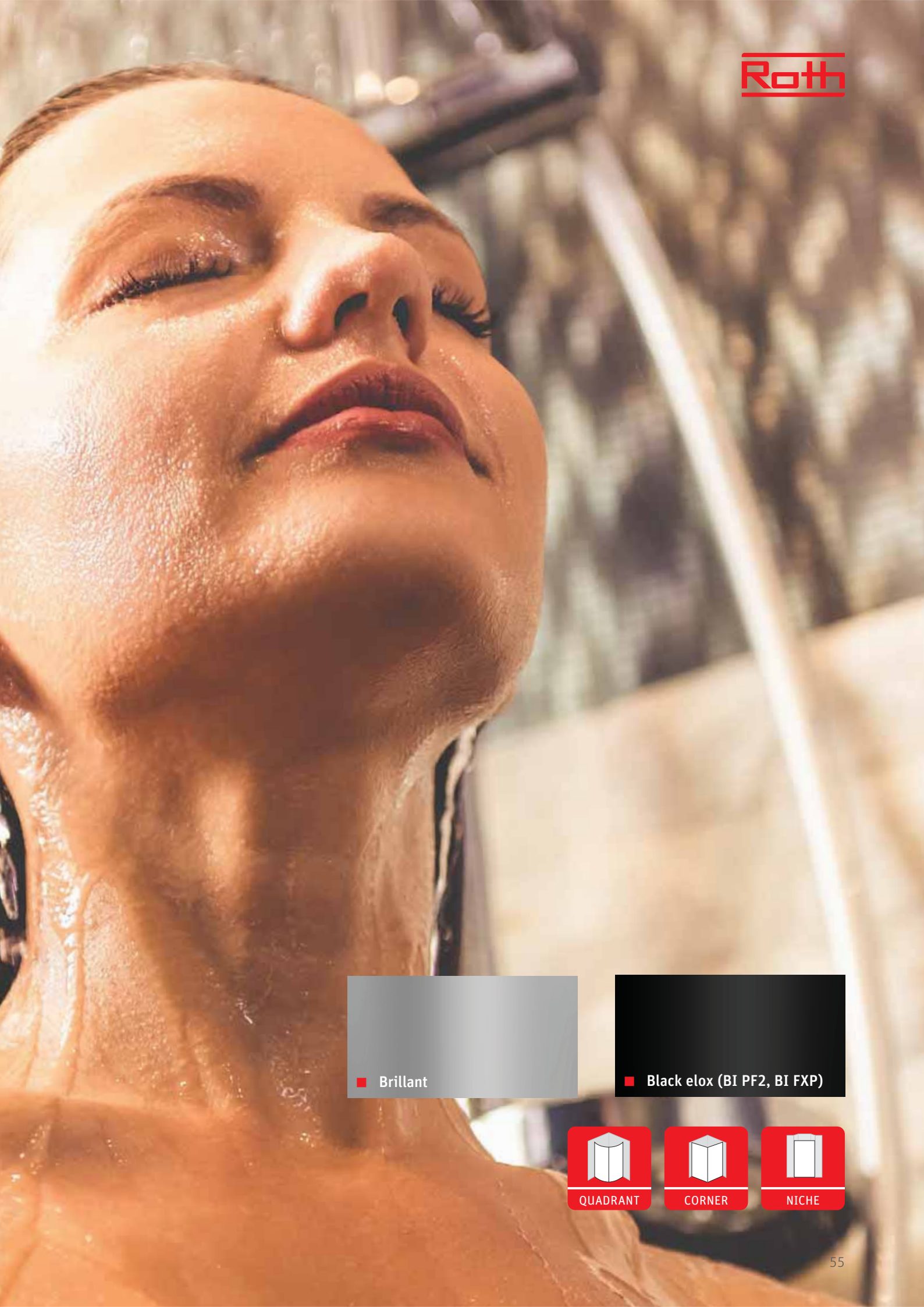
Lightness, purity and elegance - the main attributes underlining the airy design of glass

Do you want have pure lines, quality materials in your bathroom, and do not want to be limited by a small range of installation dimensions?
The ELEGANT NEO series will fulfill these requirements without any compromise. Timeless design of hinges and handles made of high quality steel underlined by the integrated minimalist braces to ensure perfect stability.

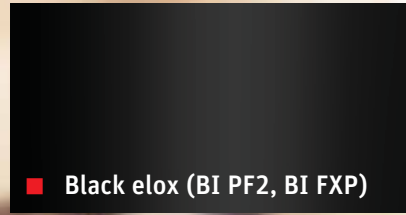
■ unrivaled range of installation dimensions

■ one type of door for all combinations

■ integrated door bracing profiles



■ Brillant



■ Black elox (BI PF2, BI FXP)



QUADRANT



CORNER



NICHE

Elegant Neo Line

lightness and elegance

unrivalled range
of installation dimensions

GR2N

quadrant shower enclosure
with a double-door opening

- high quality stainless steel hinges
- integrated door bracing profiles
- standard height 2 000 mm



6 mm ESG Tempered glass
Transparent



Profile colour
Brillant



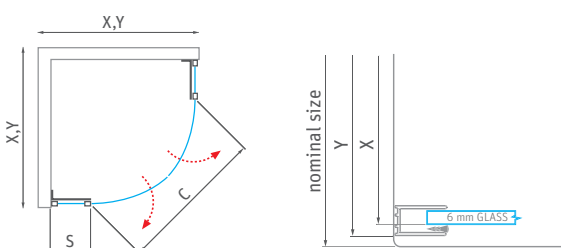
■ Chrome-plated fittings allows easy glass movement and setting installation dimensions up to 100 mm

■ Elegant design of the metal handle

GR2N (quadrant shower enclosure with a double-door opening)

type	ordering No.	installation width (y)	height (h)	door width (c)	side part width (s)	profile	glass	delivery method	Price
GR2N / 900-1000	187-1000000-00-02	885-985	2015*	710-900	290	brillant	transparent	S	846 €
GR2N / 1000-1100	187-1100000-00-02	985-1085	2015*	860-1050	290	brillant	transparent	S	896 €

R - standard radius R550, h* - height including supporting elements



Nominal sizes of shower enclosures are designed for **INSTALLATION ON THE TRAY** and they are always assembled with indentation from the edge of the tray. With **INSTALLATION ON THE TILES** there is a risk, that the size of shower enclosure will be smaller than measured width of the tiles. It is necessary to follow the size charts on "TECHNICAL SPECIFICATION" pages at the end of our catalogue (p. 281-303).



Products from **ELEGANT NEO** series allows you to use standard - produced dimensions with high flexibility of nominal dimensions from 700 to 1 200 mm.



Elegant Neo Line
lightness and elegance

one door will
solve a lot of situations

GDO1N

single shower door with fixed element

6 mm ESG Tempered glass
Transparent



Profile colour
Brillant



■ **GDO1N + GDO1N**

universal left and right solution

- one type of door for all combinations
 - corner entry with a double door opening
 - single door opening with a side panel
 - single shower door for a niche



■ Integrated bracing profile together with hinges in chrome finish ensures perfect door stability

■ Fittings allows easy glass movement and setting installation dimensions up to 100 mm

GDO1N (hinged shower door)

type	ordering No.	installation width (y)	height (h)	door width (c)	side part width (s)	profile	glass	delivery method	Price
GDO1N/800	188-8000000-00-02	685-785	2015*	380-480	290	brillant	transparent	S	301 €
GDO1N/900	188-9000000-00-02	785-885	2015*	480-580	290	brillant	transparent	S	324 €
GDO1N/1000	188-1000000-00-02	885-985	2015*	580-680	290	brillant	transparent	S	347 €
GDO1N/1100	188-1100000-00-02	985-1085	2015*	680-780	290	brillant	transparent	S	371 €
GDO1N/1200	188-1200000-00-02	1085-1185	2015*	780-880	290	brillant	transparent	S	393 €

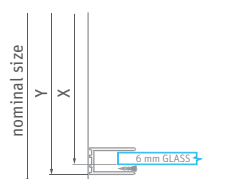
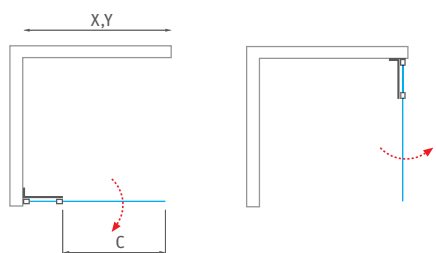
h* - height including supporting elements

GDO1N (atypical customized solution)

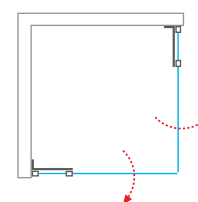
type	width (y)	height (h)	profile	glass	delivery method	Price
GDO1N	up to 1200 mm	up to 2000 mm	brillant	transparent	Z	on request

Note: Atypical width is only possible for the door part of the product

■ GDO1N - universal LEFT and RIGHT solution



■ GDO1N + GDO1N - square or rectangular shower with a double door opening



Nominal sizes of shower enclosures are designed for INSTALLATION ON THE TRAY and they are always assembled with indentation from the edge of the tray. With INSTALLATION ON THE TILES there is a risk, that the size of shower enclosure will be smaller than measured width of the tiles. It is necessary to follow the size charts on "TECHNICAL SPECIFICATION" pages at the end of our catalogue (p. 281-303).

Elegant Neo Line

lightness and elegance

one door will solve
a lot of situations



GDO1N + GBN

square or rectangular shower enclosure
with a single opening door and a side panel

- up to 15 combinations of size variants
- great variability of door installation settings
- stabilizing components made of quality stainless steel underline the clean design of the series



6 mm ESG Tempered glass
Transparent



Profile colour
Brillant



GBN (side panel to GDO1N)

type	ordering No.	installation width (y)	height (h)	door width (c)	profile	glass	delivery method	Price
GBN/800	189-8000000-00-02	775-785	2005*	-	brillant	transparent	S	230 €
GBN/900	189-9000000-00-02	875-885	2005*	-	brillant	transparent	S	249 €
GBN/1000	189-1000000-00-02	975-985	2005*	-	brillant	transparent	S	273 €

h* - height including supporting elements

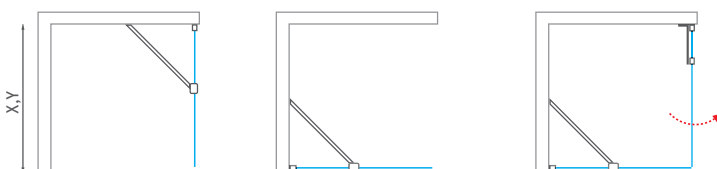
GBN (atypical customized solution)

type	width (y)	height (h)	profile	glass	delivery method	Price
GBN	up to 1000 mm	up to 2000 mm	brillant	transparent	Z	on request



■ **GBN** - universal LEFT and RIGHT solution

■ **GDO1N + GBN**



- Flexible side wall support bar allows you to set different angles and also solves any wall irregularities



Nominal sizes of shower enclosures are designed for **INSTALLATION ON THE TRAY** and they are always assembled with indentation from the edge of the tray. With **INSTALLATION ON THE TILES** there is a risk, that the size of shower enclosure will be smaller than measured width of the tiles. It is necessary to follow the size charts on "TECHNICAL SPECIFICATION" pages at the end of our catalogue (p. 281-303).

universal left and right solution



GDO1N + GZN

single opening shower door with a set of profiles GZN for installation to a niche

- great variability of door installation settings
- quality processing of functional elements
- universally oriented installation and convenient maintenance thanks to the glass treatment



6 mm ESG Tempered glass
Transparent



Profile colour
Brillant

GZN (set of profiles)								
type	ordering No.	installation width (y)	height (h)	door width (c)	profile	glass	delivery method	Price
GZN	191-0000000-00	26	1994	-	brillant	-	S	77 €



GZN (atypical customized solution)						
type	width (y)	height (h)	profile	glass	delivery method	Price
GZN	-	up to 2000 mm	brillant	-	Z	on request

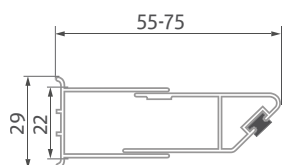
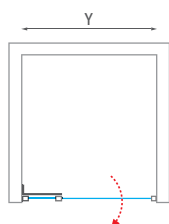


Nominal sizes of shower enclosures are designed for **INSTALLATION ON THE TRAY** and they are always assembled with indentation from the edge of the tray. With **INSTALLATION ON THE TILES** there is a risk, that the size of shower enclosure will be smaller than measured width of the tiles. It is necessary to follow the size charts on "TECHNICAL SPECIFICATION" pages at the end of our catalogue (p. 281-303).

■ **GDO1N + GZN** - single shower door for a niche

■ **GZN** - set of profiles

■ **GDO1N + GZN** - the solution of the threshold bar does not allow the expansion of the installation dimension beyond the width of the GDO1N door installation, therefore this dimension is the same even for the combination with the GZN set



niche solution	installation width (Y)
GDO1N/800 + GZN	685-785
GDO1N/900 + GZN	785-885
GDO1N/1000 + GZN	885-985
GDO1N/1100 + GZN	985-1085
GDO1N/1200 + GZN	1085-1185

Elegant Neo Line
lightness and elegance

easy movement of the door
with opening in both directions

BI PF2 + BI FXP

square or rectangular shower enclosure
with a single opening door and a side panel BI FXP

8 mm ESG Tempered glass
Transparent



Profile colour
Brillant / Black elox



■ BI PF2 + BI FXP

universal left and right solution

- standard door sizes from 800 to 1 200 mm
- see page 290 for technical specifications
- available in modern colour Black elox
- quality lifting mechanism for comfortable opening in and out



■ Chrome fittings allow easy movement of the door



■ Rectangular combination of BI PF2 + BI FXP in modern Black elox finish

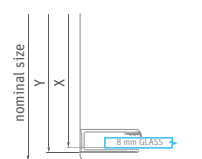
BI PF2 (single shower door)

type	ordering No.	installation width (y)	height (h)	door width (c)	side part width (s)	profile	glass	delivery method	Price
BI PF2/800	BI PF2 08020 VPE	782–807	2019*	487	272–297	brillant	transparent	0	353 €
BI PF2/800	BI PF2 08020 NPE					black elox	transparent	0	364 €
BI PF2/900	BI PF2 09020 VPE	882–907	2019*	587	272–297	brillant	transparent	0	381 €
BI PF2/900	BI PF2 09020 NPE					black elox	transparent	0	392 €
BI PF2/1000	BI PF2 10020 VPE	982–1007	2019*	587	372–397	brillant	transparent	0	398 €
BI PF2/1000	BI PF2 10020 NPE					black elox	transparent	0	410 €
BI PF2/1200	BI PF2 12020 VPE	1182–1207	2019*	637	522–547	brillant	transparent	0	453 €
BI PF2/1200	BI PF2 12020 NPE					black elox	transparent	0	467 €

BI FXP (side panel to door BI PF2)

BI FXP/800	BI FXP 08020 VPE	768–793	2020*	—	—	brillant	transparent	0	238 €
BI FXP/800	BI FXP 08020 NPE					black elox	transparent	0	243 €
BI FXP/900	BI FXP 09020 VPE	868–893	2020*	—	—	brillant	transparent	0	258 €
BI FXP/900	BI FXP 09020 NPE					black elox	transparent	0	264 €
BI FXP/1000	BI FXP 10020 VPE	968–993	2020*	—	—	brillant	transparent	0	284 €
BI FXP/1000	BI FXP 10020 NPE					black elox	transparent	0	290 €

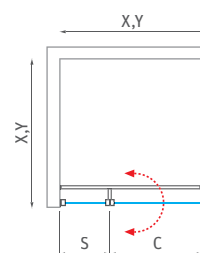
h* - height including supporting elements



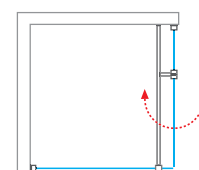
BI PF2 / BI FXP (atypical customized solution)

type	width (y)	height (h)	profile	glass	delivery method	Price
BI PF2	up to 1200 mm	up to 2000 mm	brillant	transparent	Z	on request
BI PF2	up to 1200 mm	up to 2000 mm	black elox	transparent	Z	on request
BI FXP	up to 1000 mm	up to 2000 mm	brillant	transparent	Z	on request
BI FXP	up to 1000 mm	up to 2000 mm	black elox	transparent	Z	on request

■ BI PF2 + BI FXP



■ BI FXP + BI PF2



Nominal sizes of shower enclosures are designed for INSTALLATION ON THE TRAY and they are always assembled with indentation from the edge of the tray. With INSTALLATION ON THE TILES there is a risk, that the size of shower enclosure will be smaller than measured width of the tiles. It is necessary to follow the size charts on "TECHNICAL SPECIFICATION" pages at the end of our catalogue (p. 281–303).

Elegant Neo Line

lightness and elegance

easy movement of the door
with opening in both directions

BI PF2 + BI SET

single opening shower door with a set of profiles BI SET
for installation to a niche

- convenient opening in and out
- standard height 2 000 mm
- universal installation and convenient maintenance thanks to special glass treatment RothETC



8 mm ESG Tempered glass
Transparent



Profile colour
Brillant / Black elox



■ Chrome fittings allow easy movement of the door in both directions



■ Elegant design of chrome handle

BI PF2 (single shower door)

type	ordering No.	installation width (y)	height (h)	door width (c)	side part width (s)	profile	glass	delivery method	Price
BI PF2/800	BI PF2 08020 VPE	782–807	2019*	487	240	brillant	transparent	0	353 €
BI PF2/800	BI PF2 08020 NPE					black elox	transparent	0	364 €
BI PF2/900	BI PF2 09020 VPE	882–907	2019*	587	240	brillant	transparent	0	381 €
BI PF2/900	BI PF2 09020 NPE					black elox	transparent	0	392 €
BI PF2/1000	BI PF2 10020 VPE	982–1007	2019*	587	340	brillant	transparent	0	398 €
BI PF2/1000	BI PF2 10020 NPE					black elox	transparent	0	410 €
BI PF2/1200	BI PF2 12020 VPE	1182–1207	2019*	637	490	brillant	transparent	0	453 €
BI PF2/1200	BI PF2 12020 NPE					black elox	transparent	0	467 €

BI SET (set of profiles)

BI SET	BI SET 2000 VE	15–25	2002	—	—	brillant	transparent	0	65 €
BI SET	BI SET 2000 NE					black elox	transparent	0	75 €

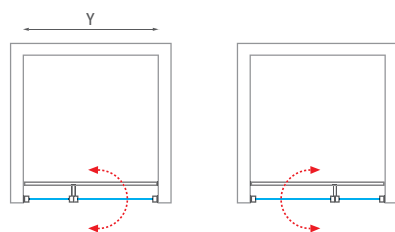
h* - height including supporting elements

BI SET (atypical customized solution)

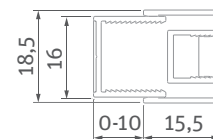
type	width (y)	height (h)	profile	glass	delivery method	Price
BI SET	—	up to 2000 mm	brillant	transparent	Z	on request
BI SET	—	up to 2000 mm	black elox	transparent	Z	on request

installation to a niche	installation width (Y)
BI PF2/800 + BI SET	775-810
BI PF2/900 + BI SET	875-910
BI PF2/1000 + BI SET	975-1010
BI PF2/1200 + BI SET	1175-1210

■ **BI PF2 + BI SET**
single shower door to a niche



■ **BI SET** - set of profiles



■ **BI PF2 + BI SET**

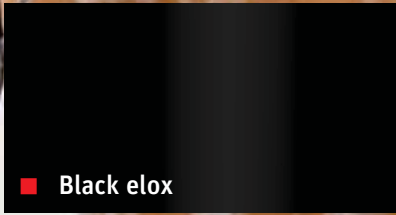
Walk in Line
free space



■ Gold (MI TWF)



■ Brillant




■ Black elox



■ Brushed Gold (AI TWF)



A close-up photograph of a person's arm and hand, wet with water droplets, is shown on the left side of the page. The background is a soft-focus shower curtain with a light-colored, wavy pattern.

Enjoy the comfort
of free space

Walk in Line

Free space enhanced by the use of large glass panels of safety glass treated with RothETC surface finishing. Make a choice from a broad range of existing shapes and sizes or simply ask for your individual shower solution.

■ discover completely new products with an original look

■ ALINA TWF - a minimalist shower screen solution without a strut with robust 10 mm thick glass

■ products in a modern design with profiles in black colour

Alina Walk In

minimalist design

AI TWF

large frameless shower screen

- a modern look made up of just two elements - profile and 10 mm thick transparent glass
- standard height of 2 metres and Roth ETC glass treatment

10 mm ESG Tempered glass
Transparent



Profile colour
Brillant / Black elox / Brushed gold

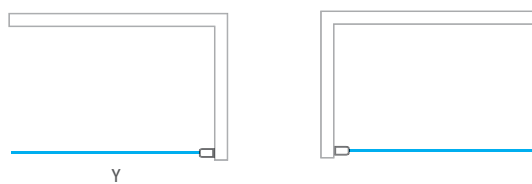


AI TWF (frameless shower screen)								
type	ordering No. Brillant version	ordering No. Black elox version	installation width (y)	height (h)	profile	glass	delivery method	Price
AI TWF/400	AI TWF 040200 VPE	AI TWF 040200 NPE	380-390	2002*	brillant / black elox	transparent	Z	194 €
AI TWF/500	AI TWF 050200 VPE	AI TWF 050200 NPE	480-490	2002*	brillant / black elox	transparent	Z	222 €
AI TWF/600	AI TWF 060200 VPE	AI TWF 060200 NPE	580-590	2002*	brillant / black elox	transparent	Z	251 €
AI TWF/700	AI TWF 070200 VPE	AI TWF 070200 NPE	680-690	2002*	brillant / black elox	transparent	Z	282 €
AI TWF/800	AI TWF 080200 VPE	AI TWF 080200 NPE	780-790	2002*	brillant / black elox	transparent	Z	314 €
AI TWF/900	AI TWF 090200 VPE	AI TWF 090200 NPE	880-890	2002*	brillant / black elox	transparent	Z	357 €
AI TWF/1000	AI TWF 100200 VPE	AI TWF 100200 NPE	980-990	2002*	brillant / black elox	transparent	Z	388 €
AI TWF/1100	AI TWF 110200 VPE	AI TWF 110200 NPE	1080-1090	2002*	brillant / black elox	transparent	Z	416 €
AI TWF/1200	AI TWF 120200 VPE	AI TWF 120200 NPE	1180-1190	2002*	brillant / black elox	transparent	Z	445 €
AI TWF/1400	AI TWF 140200 VPE	AI TWF 140200 NPE	1380-1390	2002*	brillant / black elox	transparent	Z	502 €
AI TWF - new Brushed gold variants								
AI TWF/400	AI TWF 040200 GPE		380-390	2002*	brushed gold	transparent	Z	267 €
AI TWF/500	AI TWF 050200 GPE		480-490	2002*	brushed gold	transparent	Z	307 €
AI TWF/600	AI TWF 060200 GPE		580-590	2002*	brushed gold	transparent	Z	346 €
AI TWF/700	AI TWF 070200 GPE		680-690	2002*	brushed gold	transparent	Z	389 €
AI TWF/800	AI TWF 080200 GPE		780-790	2002*	brushed gold	transparent	Z	434 €
AI TWF/900	AI TWF 090200 GPE		880-890	2002*	brushed gold	transparent	Z	494 €
AI TWF/1000	AI TWF 100200 GPE		980-990	2002*	brushed gold	transparent	Z	536 €
AI TWF/1100	AI TWF 110200 GPE		1080-1090	2002*	brushed gold	transparent	Z	576 €
AI TWF/1200	AI TWF 120200 GPE		1180-1190	2002*	brushed gold	transparent	Z	615 €
AI TWF/1400	AI TWF 140200 GPE		1380-1390	2002*	brushed gold	transparent	Z	695 €

h* - height including supporting elements

AI TWF (atypical customized solution)						
type	width (y)	height (h)	profile	glass	delivery method	Price
AI TWF	up to 1400 mm	up to 2000 mm	brillant / black elox	transparent	Z	on request
AI TWF	up to 1400 mm	up to 2000 mm	brushed gold	transparent	Z	on request

- universal LEFT and RIGHT solution



- Detail of the wall profile in Black elox colour finished with a cap.



Our latest **AI TWF** walk in shower screen brings to your bathroom the unusual minimalism of brace-free anchoring with **10mm ESG glass**.

In addition to the Brillant and Black elox finishes, the robust glass and premium-quality aluminium profile are **now also available in the new Brushed Gold finish!** This makes the AI TWF a perfect fit for any modern interior.



■ AI TWF - Brushed gold



■ AI TWF - Brillant



■ AI TWF - Černý elox

Melina Walk In

for a bathroom with character

attachment to the wall using
minimalist angular hinges

MI TWF

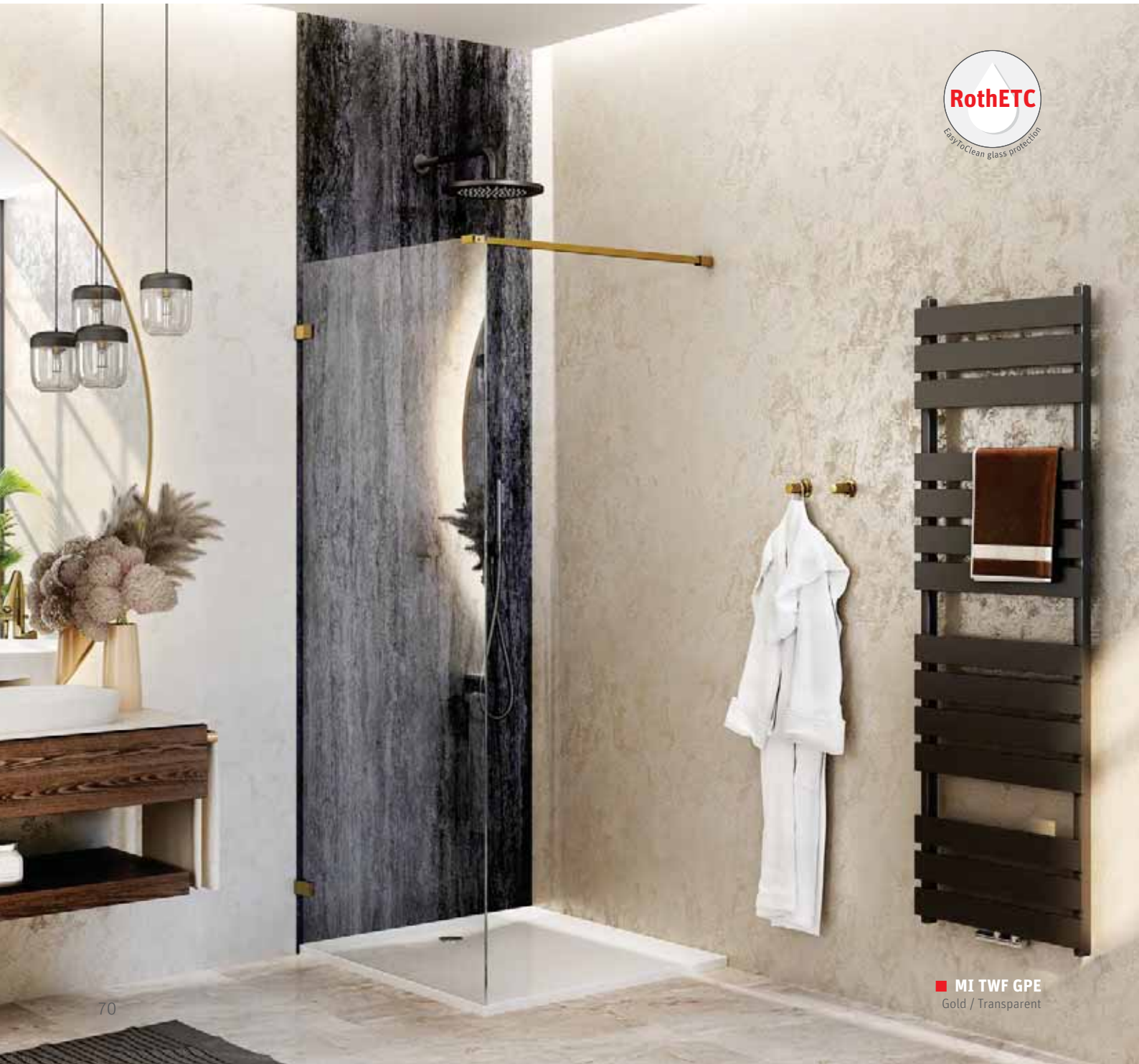
large frameless shower screen

- an original look that catches the eye and standard height of 2 metres
- colour-matched fittings
- lightweight impression thanks to anchoring elements
- modern RothETC glass treatment for easy maintenance

8 mm ESG Tempered glass
Transparent



Fitting colour
Brillant / Black / Gold



■ MI TWF GPE
Gold / Transparent

3 distinctive colour designs



■ **MI TWF GPE** - support bar in Gold colour
The standard length of 1200 mm can be shortened.



■ **MI TWF NPE** - support bar in Black colour
The standard length of 1200 mm can be shortened.



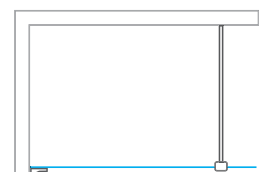
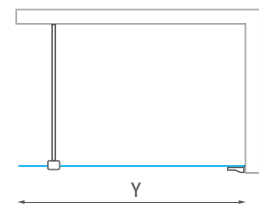
■ **MI TWF VPE** -support bar in Brillant colour
The standard length of 1200 mm can be shortened.

MI TWF (frameless shower screen)

type	ordering No.	installation width (y)	height (h)	colour	glass	delivery method	Price
MI TWF/800	MI TWF 080200 VPE	785-800	2004*	brillant	transparent	0	331 €
MI TWF/800	MI TWF 080200 NPE			black	transparent	0	345 €
MI TWF/800	MI TWF 080200 GPE			gold	transparent	0	502 €
MI TWF/900	MI TWF 090200 VPE	885-900	2004*	brillant	transparent	0	370 €
MI TWF/900	MI TWF 090200 NPE			black	transparent	0	390 €
MI TWF/900	MI TWF 090200 GPE			gold	transparent	0	553 €
MI TWF/1000	MI TWF 100200 VPE	985-1000	2004*	brillant	transparent	0	381 €
MI TWF/1000	MI TWF 100200 NPE			black	transparent	0	390 €
MI TWF/1000	MI TWF 100200 GPE			gold	transparent	0	540 €
MI TWF/1100	MI TWF 110200 VPE	1085-1100	2004*	brillant	transparent	0	401 €
MI TWF/1100	MI TWF 110200 NPE			black	transparent	0	410 €
MI TWF/1100	MI TWF 110200 GPE			gold	transparent	0	560 €
MI TWF/1200	MI TWF 120200 VPE	1185-1200	2004*	brillant	transparent	0	419 €
MI TWF/1200	MI TWF 120200 NPE			black	transparent	0	428 €
MI TWF/1200	MI TWF 120200 GPE			gold	transparent	0	578 €
MI TWF/1300	MI TWF 130200 VPE	1285-1300	2004*	brillant	transparent	0	445 €
MI TWF/1300	MI TWF 130200 NPE			black	transparent	0	454 €
MI TWF/1300	MI TWF 130200 GPE			gold	transparent	0	604 €
MI TWF/1400	MI TWF 140200 VPE	1385-1400	2004*	brillant	transparent	0	463 €
MI TWF/1400	MI TWF 140200 NPE			black	transparent	0	472 €
MI TWF/1400	MI TWF 140200 GPE			gold	transparent	0	622 €
MI TWF/1500	MI TWF 150200 VPE	1485-1500	2004*	brillant	transparent	0	481 €
MI TWF/1500	MI TWF 150200 NPE			black	transparent	0	490 €
MI TWF/1500	MI TWF 150200 GPE			gold	transparent	0	640 €
MI TWF/1600	MI TWF 160200 VPE	1585-1600	2004*	brillant	transparent	0	499 €
MI TWF/1600	MI TWF 160200 NPE			black	transparent	0	508 €
MI TWF/1600	MI TWF 160200 GPE			gold	transparent	0	658 €

h* - height including supporting elements

■ **MI TWF** universal LEFT and RIGHT solution



MI TWF (atypical customized solution)

type	width (y)	height (h)	colour	glass	delivery method	Price
MI TWF	up to 1600 mm	up to 2000 mm	brillant	transparent	Z	on request
MI TWF	up to 1600 mm	up to 2000 mm	black	transparent	Z	on request
MI TWF	up to 1600 mm	up to 2000 mm	gold	transparent	Z	on request

■ **MI TWF GPE** - angular hinge of the gold variant



Melina Walk In

for a bathroom with character

simple installation and convenient maintenance

MI TWE

large frameless shower screen

- wide range of standard sizes and popular height of 2 metres
- simple installation on the tray or tiles
- modern RothETC glass treatment for easy maintenance



8 mm ESG Tempered glass
Transparent



Profile colour
Brillant / Black elox

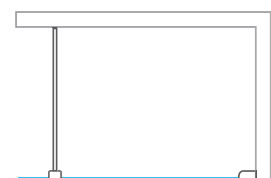
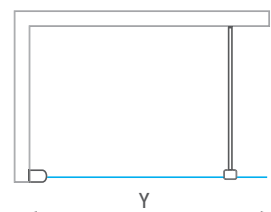


MI TWE (frameless shower screen)

type	ordering No.	installation width (y)	height (h)	profile	glass	delivery method	Price
MI TWE/800	MI TWE 080200 VPE	765–780	2005*	brillant	transparent	0	318 €
MI TWE/800	MI TWE 080200 NPE			black elox	transparent	0	318 €
MI TWE/900	MI TWE 090200 VPE	865–880	2005*	brillant	transparent	0	339 €
MI TWE/900	MI TWE 090200 NPE			black elox	transparent	0	339 €
MI TWE/1000	MI TWE 100200 VPE	965–980	2005*	brillant	transparent	0	371 €
MI TWE/1000	MI TWE 100200 NPE			black elox	transparent	0	371 €
MI TWE/1100	MI TWE 110200 VPE	1065–1080	2005*	brillant	transparent	0	396 €
MI TWE/1100	MI TWE 110200 NPE			black elox	transparent	0	396 €
MI TWE/1200	MI TWE 120200 VPE	1165–1180	2005*	brillant	transparent	0	416 €
MI TWE/1200	MI TWE 120200 NPE			black elox	transparent	0	416 €
MI TWE/1300	MI TWE 130200 VPE	1265–1280	2005*	brillant	transparent	0	435 €
MI TWE/1300	MI TWE 130200 NPE			black elox	transparent	0	435 €
MI TWE/1400	MI TWE 140200 VPE	1365–1380	2005*	brillant	transparent	0	461 €
MI TWE/1400	MI TWE 140200 NPE			black elox	transparent	0	461 €
MI TWE/1500	MI TWE 150200 VPE	1465–1480	2005*	brillant	transparent	0	483 €
MI TWE/1500	MI TWE 150200 NPE			black elox	transparent	0	483 €
MI TWE/1600	MI TWE 160200 VPE	1565–1580	2005*	brillant	transparent	0	506 €
MI TWE/1600	MI TWE 160200 NPE			black elox	transparent	0	506 €

h* - height including supporting elements

■ **MI TWE** universal LEFT and RIGHT solution



MI TWE (atypical customized solution)

type	width (y)	height (h)	profile	glass	delivery method	Price
MI TWE	up to 1800 mm	up to 2000 mm	brillant	transparent	Z	on request
MI TWE	up to 1800 mm	up to 2000 mm	black elox	transparent	Z	on request

large number of standard sizes to choose from



■ MI TWE support bar of the Brillant variant with maximum length 1200 mm.



■ MI TWE NPE
Black elox / Transparent

Cariba Walk In extra safe

special safety element
- protective foil on glass

CI TWF

large shower area solution

- all types with extra protective foil
- available in modern colour Black elox
- modern RothETC glass treatment for easy maintenance

6 mm ESG Tempered glass
with safety foil
Transparent / Pattern



Profile colour
Brillant / Black elox



modern look of glass with pattern



■ **CI TWF VPF**
- Brillant / Transparent safety foil



■ **CI TWF NPF**
- Black elox / Transparent safety foil



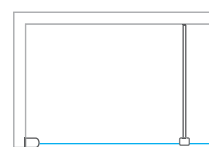
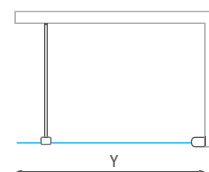
■ **CI TWF VIF**
- Brillant / Printed safety foil

CI TWF (large frameless shower screen)

type	ordering No.	installation width (y)	height (h)	profile	glass	delivery method	Price
CI TWF/800	CI TWF 08020 VPF	773-800	2020*	brillant	transparent	0	244 €
CI TWF/800	CI TWF 08020 NPF			black elox	transparent	0	256 €
CI TWF/800	CI TWF 08020 VIF			brillant	pattern	0	259 €
CI TWF/800	CI TWF 08020 NIF			black elox	pattern	0	263 €
CI TWF/900	CI TWF 09020 VPF	873-900	2020*	brillant	transparent	0	267 €
CI TWF/900	CI TWF 09020 NPF			black elox	transparent	0	272 €
CI TWF/900	CI TWF 09020 VIF			brillant	pattern	0	275 €
CI TWF/900	CI TWF 09020 NIF			black elox	pattern	0	280 €
CI TWF/1000	CI TWF 10020 VPF	973-1000	2020*	brillant	transparent	0	289 €
CI TWF/1000	CI TWF 10020 NPF			black elox	transparent	0	295 €
CI TWF/1000	CI TWF 10020 VIF			brillant	pattern	0	298 €
CI TWF/1000	CI TWF 10020 NIF			black elox	pattern	0	304 €
CI TWF/1100	CI TWF 11020 VPF	1073-1100	2020*	brillant	transparent	0	312 €
CI TWF/1100	CI TWF 11020 NPF			black elox	transparent	0	318 €
CI TWF/1100	CI TWF 11020 VIF			brillant	pattern	0	322 €
CI TWF/1100	CI TWF 11020 NIF			black elox	pattern	0	328 €
CI TWF/1200	CI TWF 12020 VPF	1173-1200	2020*	brillant	transparent	0	335 €
CI TWF/1200	CI TWF 12020 NPF			black elox	transparent	0	341 €
CI TWF/1200	CI TWF 12020 VIF			brillant	pattern	0	346 €
CI TWF/1200	CI TWF 12020 NIF			black elox	pattern	0	352 €
CI TWF/1400	CI TWF 14020 VPF	1373-1400	2020*	brillant	transparent	0	381 €
CI TWF/1400	CI TWF 14020 NPF			black elox	transparent	0	388 €
CI TWF/1400	CI TWF 14020 VIF			brillant	pattern	0	394 €
CI TWF/1400	CI TWF 14020 NIF			black elox	pattern	0	401 €

h* - height including supporting elements

■ **CI TWF - universal LEFT and RIGHT solution**



■ Vertical aluminium wall profiles



■ Support bar of the screen (max. 1 200 mm)

Cariba support bar TWP

original solution

CI TWP

CI TWP - combinable profile support bar for anchoring to the wall or to the ceiling to stabilize walk-in products such as the CI TWF

- modern solution in two colour variants - Brillant and Black elox
- large range for installation when anchored to the ceiling
- the possibility of combining with several products at a glass thickness of 6 mm - ask your seller



Profile colour
Brillant / Black elox



- Horizontal anchoring provides reliable fixation



- Vertical fixation to the ceiling allows a solution if horizontal anchoring is not possible, for example due to a window.



- The bottom of the support bar can rest on the tray or directly on the tiles.



CI TWP (combinable support bar)

type	ordering No.	installation dimension of anchoring to the wall (a)	height for anchoring to the ceiling (h)	profile	delivery method	Price
CI TWP	CI TWP 3000 VE	700-1200	2150-3000	brillant	0	112 €
CI TWP	CI TWP 3000 NE	700-1200	2150-3000	black elox	0	112 €



Our original **combinable support bar CI TWP**, which you can choose from two colour variants, expands the possibilities of installing walk-in shower screens. Whether you choose to fix the strut at a right angle to the wall, or you prefer vertical anchoring to the ceiling, you can always rely on the CI TWP support solution.



Philly Loft

industrial design

convenient entrance
without door



■ PHILLY LOFT HORIZON

PHILLY LOFT HORIZON

large space shower screen

- modern industrial design with profiles in Black elox colour
- RothETC glass treatment for easy maintenance
- easy installation and reliable functionality



6 mm ESG Tempered glass
Transparent



Profile colour
Black elox

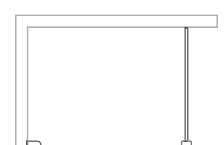
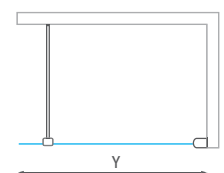


PHILLY LOFT HORIZON (large shower area solution)

type	ordering No.	installation width (y)	height (h)	profile	glass	delivery method	Price
PHILLY LOFT HORIZON 800	PLH 08020 NPE	780–790	2003*	black elox	transparent	0	277 €
PHILLY LOFT HORIZON 900	PLH 09020 NPE	880–890	2003*	black elox	transparent	0	297 €
PHILLY LOFT HORIZON 1000	PLH 10020 NPE	980–990	2003*	black elox	transparent	0	317 €
PHILLY LOFT HORIZON 1200	PLH 12020 NPE	1180–1190	2003*	black elox	transparent	0	357 €
PHILLY LOFT HORIZON 1400	PLH 14020 NPE	1380–1390	2003*	black elox	transparent	0	398 €

h* - height including supporting elements

- universal LEFT and RIGHT solution



- Horizontal aluminum profiles on the outside of the glass and support bar (max. 1 200 mm) in Black elox finishing

standard support bar length
maximum 1 000 mm



WALK IN

we offer large frameless shower screens
in many custom combinations

- choose from the drawings
a combination according to your needs
- „mirror effect“ option for any glass-
see page 132 - 133
- RothETC glass treatment
for easy maintenance

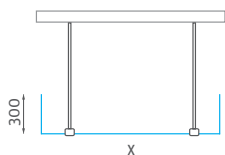


8 mm ESG Tempered glass
Transparent

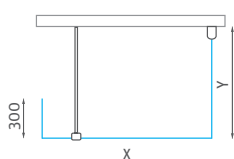


Profile colour
Brillant

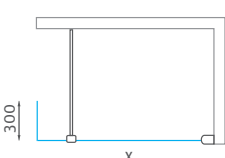
■ WALK A



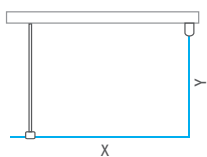
■ WALK B



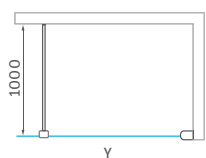
■ WALK C



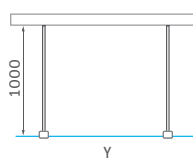
■ WALK F



■ WALK G



■ WALK H

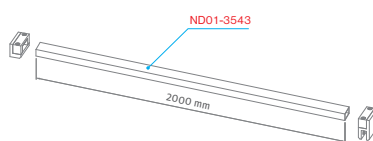


WALK A, B, C, F, G a H (atypical customized solution)

type	width (x/y)	height (h)	profile	glass	delivery method	Price
WALK A	up to 1500 mm	up to 2000 mm	brillant	transparent	Z	on request
WALK B	up to 1500 mm	up to 2000 mm	brillant	transparent	Z	on request
WALK C	up to 1500 mm	up to 2000 mm	brillant	transparent	Z	on request
WALK F	up to 1500 mm	up to 2000 mm	brillant	transparent	Z	on request
WALK G	up to 1500 mm	up to 2000 mm	brillant	transparent	Z	on request
WALK H	up to 1500 mm	up to 2000 mm	brillant	transparent	Z	on request

Support bar - if you need a longer bar than the standard 100 cm, you can order this longer version (2000 cm) and shorten it to the required length during assembly

type	ordering No.	profile	delivery method	Price
SUPPORT BAR - length 2000 mm	ND01-3543	brillant	S	20 €



■ The hinge screws are embedded in the glass level

Walk In Line
free space

convenient entrance
without door

ECWALK

large frameless shower screen

- modern industrial design in two profile colours
- standard height 2050 mm

6 mm ESG Tempered glass
Transparent



Profile colour
Brilliant / Black elox



■ ECWALK Black elox

standard support bar length
maximum 1 200 mm



■ Bracket in Black elox finish (bar length to 1 200 mm)



■ Bracket in Brillant finish (bar length to 1 200 mm)

ECWALK (frameless shower screen)

type	ordering No.	installation width (y)	height (h)	profile	glass	delivery method	Price
ECWALK/900	585-9000000-05-02	888-912	2075*	black elox	transparent	0	287 €
ECWALK/1000	585-1000000-05-02	988-1012	2075*	black elox	transparent	0	302 €
ECWALK/1200	585-1200000-05-02	1188-1212	2075*	black elox	transparent	0	339 €
ECWALK/1400	585-1400000-05-02	1388-1412	2075*	black elox	transparent	0	369 €
ECWALK/900	585-9000000-00-02	888-912	2075*	brillant	transparent	0	287 €
ECWALK/1000	585-1000000-00-02	988-1012	2075*	brillant	transparent	0	302 €
ECWALK/1200	585-1200000-00-02	1188-1212	2075*	brillant	transparent	0	339 €
ECWALK/1400	585-1400000-00-02	1388-1412	2075*	brillant	transparent	0	369 €

h* - height including supporting elements

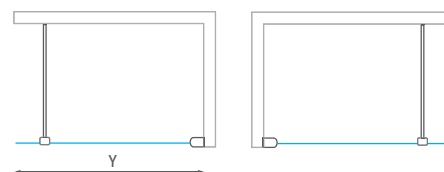


■ Protective aluminum profile on the bottom of the glass

ECWALK (atypical customized solution)

type	width (y)	height (h)	profile	glass	delivery method	Price
ECWALK	up to 1500 mm	up to 2050 mm	black elox	transparent	Z	on request
ECWALK	up to 1500 mm	up to 2050 mm	brillant	transparent	Z	on request

■ ECWALK - universal LEFT and RIGHT solution



Nominal sizes of shower enclosures are designed for INSTALLATION ON THE TRAY and they are always assembled with indentation from the edge of the tray. With INSTALLATION ON THE TILES there is a risk, that the size of shower enclosure will be smaller than measured width of the tiles. It is necessary to follow the size charts on "TECHNICAL SPECIFICATION" pages at the end of our catalogue (p. 281-303).

Melina

for your convenience



■ Brillant

■ Black elox



QUADRANT



CORNER



NICHE



WALK-IN

The background of the entire page is a close-up photograph of water splashing against a dark, textured surface, likely a shower wall or door. The water is captured in mid-air, creating a dynamic and refreshing scene with white foam and droplets.

Melina

This range of shower enclosures fulfills the idea of a reliable and modern solution. Tune your bathroom with comfort in mind.

Do you also feel that you deserve more care and well-being after a long day? You step into the shower, gently push the door and someone takes control and gently closes it behind you...
With the SOFTCLOSE system of the MI D2L/R, this idea becomes a reality!

■ opening door into the niche, which can also be combined with the side wall

■ above-standard variability of installation thanks to an imaginative cam design

■ automatic door closing using the new SOFTCLOSE system for MI D2L/R

Melina

for your convenience

reliable cam profile
for double-sided opening

MI D55 + MI D55

quadrant shower enclosure door with a double opening door
with fixed element

- convenient entry through double-sided opening in and out
- high quality and reliability of processing
- standard height 2 000 mm



6 mm ESG Tempered glass
Transparent



Profile colour
Brillant



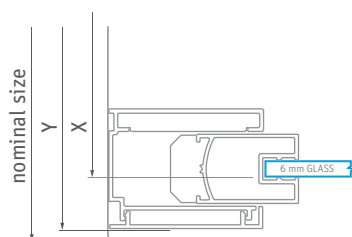
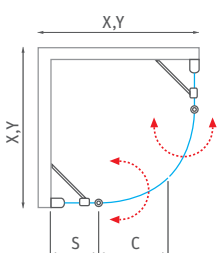
■ Profiles with lifting mechanism, threshold bar and bottom seal

■ Elegant metal handle in chrome finish

MI D55 (single shower door for quadrant shower enclosure = 1/2 enclosure)

type	ordering No.	installation width (y)	height (h)	door width (c)	side part width (s)	profile	glass	delivery method	Price
MI D55/800	MI D55 080200 VPE	780-805	2023*	389	224-249	brillant	transparent	0	780 €
MI D55/900	MI D55 090200 VPE	880-905	2023*	389	324-349	brillant	transparent	0	799 €
MI D55/1000	MI D55 100200 VPE	980-1005	2023*	389	424-449	brillant	transparent	0	842 €

R - standard radius R550, a pair of doors must be ordered for the entire shower enclosure, h* - height including supporting elements



Nominal sizes of shower enclosures are designed for INSTALLATION ON THE TRAY and they are always assembled with indentation from the edge of the tray. With INSTALLATION ON THE TILES there is a risk, that the size of shower enclosure will be smaller than measured width of the tiles. It is necessary to follow the size charts on "TECHNICAL SPECIFICATION" pages at the end of our catalogue (p. 281-303).



We have significantly expanded our new **Melina** range with a selection of quality opening doors which, thanks to their modern cam profile, not only offer the convenience of double-sided opening, but also wide installation variability and reliable functionality.



■ MI D55 - Brillant

Melina

for your convenience

a special cam profile increases the range of installation

MI PIG + MI PIG

square or rectangular shower enclosure with a double-door opening

- large installation range and reliable functionality
- modern RothETC glass treatment for easy maintenance
- convenient entry through double-sided opening in and out
- choice of Black elox colour variants



6 mm ESG Tempered glass
Transparent



Profile colour
Brillant / Black elox



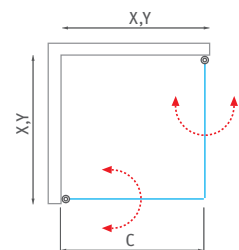
■ MI PIG + MI PIG - Brillant

MI PIG (single shower door)

type	ordering No.	installation width (y)	height (h)	door width (c)	profile	glass	delivery method	Price
MI PIG/800	MI PIG 080200 VPE	780-830	2002*	664/689	brillant	transparent	0	612 €
MI PIG/900	MI PIG 090200 VPE	880-930	2002*	764/789	brillant	transparent	0	633 €
MI PIG/1000	MI PIG 100200 VPE	980-1030	2002*	864/889	brillant	transparent	0	657 €
MI PIG/800	MI PIG 080200 NPE	780-830	2002*	664/689	black elox	transparent	0	612 €
MI PIG/900	MI PIG 090200 NPE	880-930	2002*	764/789	black elox	transparent	0	633 €
MI PIG/1000	MI PIG 100200 NPE	980-1030	2002*	864/889	black elox	transparent	0	657 €

h* - height including supporting elements

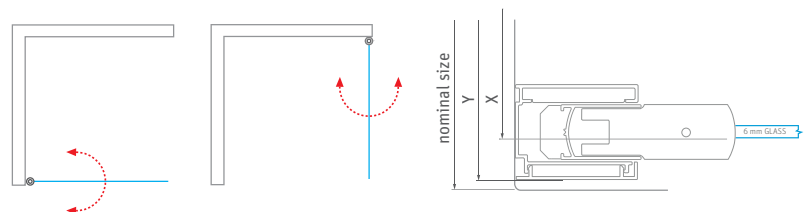
■ MI PIG + MI PIG



- The cam profile hides a **smart solution** for excessive construction readiness. Turn the segment to get an extra 25mm! You can find more information and the procedure in the assembly instructions.



- MI PIG - universal LEFT and RIGHT solution



Nominal sizes of shower enclosures are designed for INSTALLATION ON THE TRAY and they are always assembled with indentation from the edge of the tray. With INSTALLATION ON THE TILES there is a risk, that the size of shower enclosure will be smaller than measured width of the tiles. It is necessary to follow the size charts on "TECHNICAL SPECIFICATION" pages at the end of our catalogue (p. 281-303).

two colour options to choose from - Brillant and Black elox

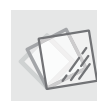


■ MI EPF + MI EPF
- Black elox

MI EPF + MI EPF

square or rectangular shower enclosure with a double-door opening with fixed part

- standard height of 2 000 mm
- quality lifting mechanism with large variability and double-sided opening
- modern RothETC glass treatment for easy maintenance



6 mm ESG Tempered glass
Transparent



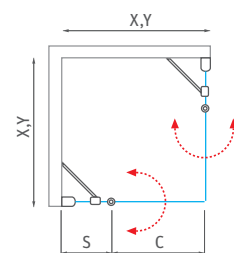
Profile colour
Brillant / Black elox

MI EPF (single shower door with fixed part)

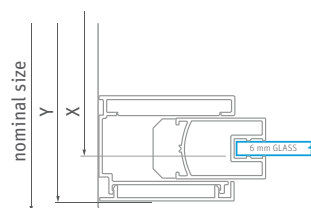
type	ordering No.	installation width (y)	height (h)	door width (c)	side part width (s)	profile	glass	delivery method	Price
MI EPF/800	MI EPF 080200 VPE	780-830	2023*	503/528	234-259	brillant	transparent	0	795 €
MI EPF/900	MI EPF 090200 VPE	880-930	2023*	603/628	234-259	brillant	transparent	0	820 €
MI EPF/1000	MI EPF 100200 VPE	980-1030	2023*	703/728	234-259	brillant	transparent	0	866 €
MI EPF/1100	MI EPF 110200 VPE	1080-1130	2023*	753/778	284-309	brillant	transparent	0	889 €
MI EPF/1200	MI EPF 120200 VPE	1180-1230	2023*	803/828	334-359	brillant	transparent	0	903 €
MI EPF/800	MI EPF 080200 NPE	780-830	2023*	503/528	234-259	black elox	transparent	0	795 €
MI EPF/900	MI EPF 090200 NPE	880-930	2023*	603/628	234-259	black elox	transparent	0	820 €
MI EPF/1000	MI EPF 100200 NPE	980-1030	2023*	703/728	234-259	black elox	transparent	0	866 €
MI EPF/1100	MI EPF 110200 NPE	1080-1130	2023*	753/778	284-309	black elox	transparent	0	889 €
MI EPF/1200	MI EPF 120200 NPE	1180-1230	2023*	803/828	334-359	black elox	transparent	0	903 €

h* - height including supporting elements

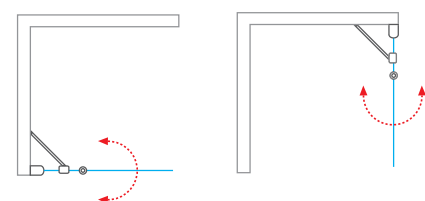
MI EPF + MI EPF



- The cam profile hides a **smart solution** for excessive construction readiness. Turn the segment to get an extra 25mm! You can find more information and the procedure in the assembly instructions.



MI EPF -universal LEFT and RIGHT solution



Nominal sizes of shower enclosures are designed for INSTALLATION ON THE TRAY and they are always assembled with indentation from the edge of the tray. With INSTALLATION ON THE TILES there is a risk, that the size of shower enclosure will be smaller than measured width of the tiles. It is necessary to follow the size charts on "TECHNICAL SPECIFICATION" pages at the end of our catalogue (p. 281-303).

Melina

for your convenience

a special cam profile increases
the range of installation

MI PIV

single opening shower door for niche installation
or for combination with a side panel MI FXP

6 mm ESG Tempered glass
Transparent



Profile colour
Brillant / Black elox



■ MI PIV - Brillant

solutions for niche doors and for corner showers

- Brilliant and Black elox variants
- large variability of installation dimensions for complicated situations
- convenient entry through double-sided opening in and out



■ A set of profiles with a magnet for reliable door closing



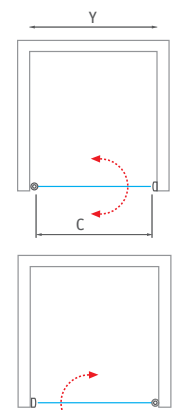
■ MI PIV + MI FXP - side panel MI FXP in combination with MI PIV door - Black elox finish

MI PIV (single shower door)

type	ordering No.	installation width (y)	height (h)	door width (c)	profile	glass	delivery method	Price
MI PIV/800	MI PIV 080200 VPE	770-845	2002*	620/645	brillant	transparent	0	744 €
MI PIV/900	MI PIV 090200 VPE	870-945	2002*	720/745	brillant	transparent	0	753 €
MI PIV/1000	MI PIV100200 VPE	970-1045	2002*	820/845	brillant	transparent	0	767 €
MI PIV/800	MI PIV 080200 NPE	770-845	2002*	620/645	black elox	transparent	0	744 €
MI PIV/900	MI PIV 090200 NPE	870-945	2002*	720/745	black elox	transparent	0	753 €
MI PIV/1000	MI PIV 100200 NPE	970-1045	2002*	820/845	black elox	transparent	0	767 €

h* - height including supporting elements

■ MI PIV - universal LEFT and RIGHT solution

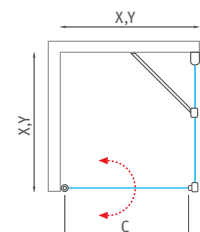


MI FXP (side panel)

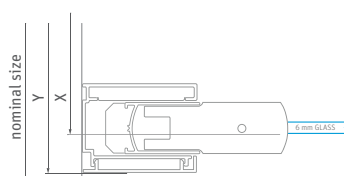
type	ordering No.	installation width (y)	height (h)	profile	glass	delivery method	Price
MI FXP/800	MI FXP 080200 VPE	780-830	2023*	brillant	transparent	0	521 €
MI FXP/900	MI FXP 090200 VPE	880-930	2023*	brillant	transparent	0	534 €
MI FXP/1000	MI FXP 100200 VPE	980-1030	2023*	brillant	transparent	0	552 €
MI FXP/800	MI FXP 080200 NPE	780-830	2023*	black elox	transparent	0	521 €
MI FXP/900	MI FXP 090200 NPE	880-930	2023*	black elox	transparent	0	534 €
MI FXP/1000	MI FXP 100200 NPE	980-1030	2023*	black elox	transparent	0	552 €

h* - height including supporting elements

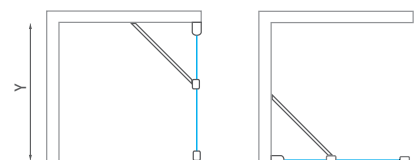
■ MI PIV + MI FXP



- The cam profile hides a **smart solution** for excessive construction readiness. Turn the segment to get an extra 25mm! You can find more information and the procedure in the assembly instructions.



■ MI FXP - universal LEFT and RIGHT solution



Nominal sizes of shower enclosures are designed for INSTALLATION ON THE TRAY and they are always assembled with indentation from the edge of the tray. With INSTALLATION ON THE TILES there is a risk, that the size of shower enclosure will be smaller than measured width of the tiles. It is necessary to follow the size charts on "TECHNICAL SPECIFICATION" pages at the end of our catalogue (p. 281-303).

Melina

for your convenience

a special cam profile increases
the range of installation

MI PIF

single opening shower door with fixed element to a niche
or for combination with a side panel MI FXP

6 mm ESG Tempered glass
Transparent



Profile colour
Brilliant / Black elox



■ MI PIF - Black elox

solutions for niche doors and for corner showers

- Brilliant and Black elox variants
- large variability of installation dimensions for complicated situations
- convenient entry through double-sided opening in and out



- Flexible support bar allows you to set different angles and also solves any wall irregularities



- **MI FXP** - side wall for combination with MI PIV or MI PIF doors - Brilliant version

MI PIF (single shower door with fixed part)

type	ordering No.	installation width (y)	height (h)	door width (c)	side part width (s)	profile	glass	delivery method	Price
MI PIF/800	MI PIF 080200 VPE	770-845	2023*	459/484	234-259	brillant	transparent	0	929 €
MI PIF/900	MI PIF 090200 VPE	870-945	2023*	559/584	234-259	brillant	transparent	0	946 €
MI PIF/1000	MI PIF 100200 VPE	970-1045	2023*	659/684	234-259	brillant	transparent	0	959 €
MI PIF/1100	MI PIF 110200 VPE	1070-1145	2023*	709/734	284-309	brillant	transparent	0	973 €
MI PIF/1200	MI PIF 120200 VPE	1170-1245	2023*	759/784	334-359	brillant	transparent	0	990 €
MI PIF/800	MI PIF 080200 NPE	770-845	2023*	459/484	234-259	black elox	transparent	0	929 €
MI PIF/900	MI PIF 090200 NPE	870-945	2023*	559/584	234-259	black elox	transparent	0	946 €
MI PIF/1000	MI PIF 100200 NPE	970-1045	2023*	659/684	234-259	black elox	transparent	0	959 €
MI PIF/1100	MI PIF 110200 NPE	1070-1145	2023*	709/734	284-309	black elox	transparent	0	973 €
MI PIF/1200	MI PIF 120200 NPE	1170-1245	2023*	759/784	334-359	black elox	transparent	0	990 €

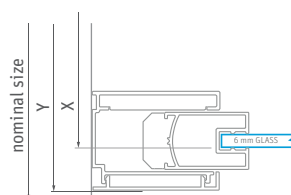
h* - height including supporting elements

MI FXP (side panel)

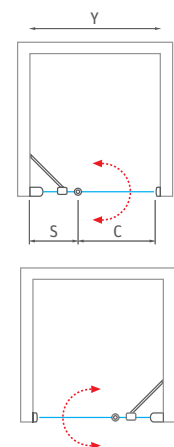
type	ordering No.	installation width (y)	height (h)	profile	glass	delivery method	Price
MI FXP/800	MI FXP 080200 VPE	780-830	2023*	brillant	transparent	0	521 €
MI FXP/900	MI FXP 090200 VPE	880-930	2023*	brillant	transparent	0	534 €
MI FXP/1000	MI FXP 100200 VPE	980-1030	2023*	brillant	transparent	0	552 €
MI FXP/800	MI FXP 080200 NPE	780-830	2023*	black elox	transparent	0	521 €
MI FXP/900	MI FXP 090200 NPE	880-930	2023*	black elox	transparent	0	534 €
MI FXP/1000	MI FXP 100200 NPE	980-1030	2023*	black elox	transparent	0	552 €

h* - height including supporting elements

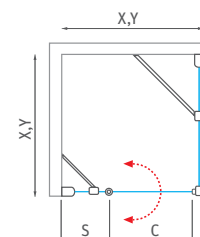
- The cam profile hides a **smart solution** for excessive construction readiness. Turn the segment to get an extra 25mm! You can find more information and the procedure in the assembly instructions.



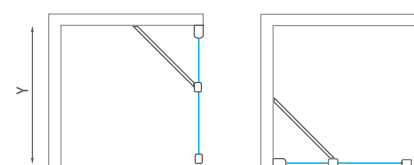
- **MI PIF** - universal LEFT and RIGHT solution



- **MI PIF + MI FXP**



- **MI FXP** - universal LEFT and RIGHT solution



Nominal sizes of shower enclosures are designed for **INSTALLATION ON THE TRAY** and they are always assembled with indentation from the edge of the tray. With **INSTALLATION ON THE TILES** there is a risk, that the size of shower enclosure will be smaller than measured width of the tiles. It is necessary to follow the size charts on "TECHNICAL SPECIFICATION" pages at the end of our catalogue (p. 281-303).

Melina

for your convenience

SOFTCLOSE door closing technology

MI D2L / MI D2R

sliding shower door for niche installation
or for combination with a side wall MI FX2

- silent movement of the door with slow automatic closing thanks to the SOFTCLOSE system
- a wide selection of dimensional variants of sliding doors with a height of 2050 mm



6 mm ESG Tempered glass
Transparent



Profile colour
Brilliant / Black elox



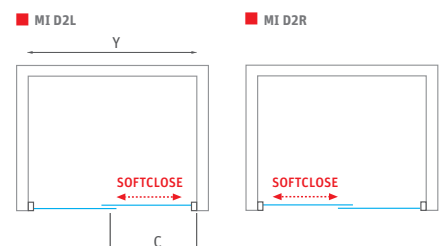
- High quality handle with an elegant design for Black elox version (NPE)

MI D2L / MI D2R (sliding shower door)

type	ordering No. Brilliant version	ordering No. Black elox version	installation width (y)	height (h)	entrance width (c)	profile	glass	delivery method	Price Brilliant	Price Black
MI D2L - left										
MI D2L / 1000	MI D2L 100205 VPE	MI D2L 100205 NPE	970-1010	2050	400	brillant / black elox	transparent	0	656 €	690 €
MI D2L / 1100	MI D2L 110205 VPE	MI D2L 110205 NPE	1070-1110	2050	450	brillant / black elox	transparent	0	671 €	707 €
MI D2L / 1200	MI D2L 120205 VPE	MI D2L 120205 NPE	1170-1210	2050	500	brillant / black elox	transparent	0	687 €	723 €
MI D2L / 1300	MI D2L 130205 VPE	MI D2L 130205 NPE	1270-1310	2050	550	brillant / black elox	transparent	0	702 €	739 €
MI D2L / 1400	MI D2L 140205 VPE	MI D2L 140205 NPE	1370-1410	2050	600	brillant / black elox	transparent	0	718 €	756 €
MI D2L / 1500	MI D2L 150205 VPE	MI D2L 150205 NPE	1470-1510	2050	650	brillant / black elox	transparent	0	734 €	772 €
MI D2L / 1600	MI D2L 160205 VPE	MI D2L 160205 NPE	1570-1610	2050	700	brillant / black elox	transparent	0	749 €	789 €
MI D2L / 1700	MI D2L 170205 VPE	MI D2L 170205 NPE	1670-1710	2050	750	brillant / black elox	transparent	0	766 €	806 €
MI D2L / 1800	MI D2L 180205 VPE	MI D2L 180205 NPE	1770-1810	2050	800	brillant / black elox	transparent	0	779 €	820 €
MI D2R - right										
MI D2R / 1000	MI D2R 100205 VPE	MI D2R 100205 NPE	970-1010	2050	400	brillant / black elox	transparent	0	656 €	690 €
MI D2R / 1100	MI D2R 110205 VPE	MI D2R 110205 NPE	1070-1110	2050	450	brillant / black elox	transparent	0	671 €	707 €
MI D2R / 1200	MI D2R 120205 VPE	MI D2R 120205 NPE	1170-1210	2050	500	brillant / black elox	transparent	0	687 €	723 €
MI D2R / 1300	MI D2R 130205 VPE	MI D2R 130205 NPE	1270-1310	2050	550	brillant / black elox	transparent	0	702 €	739 €
MI D2R / 1400	MI D2R 140205 VPE	MI D2R 140205 NPE	1370-1410	2050	600	brillant / black elox	transparent	0	718 €	756 €
MI D2R / 1500	MI D2R 150205 VPE	MI D2R 150205 NPE	1470-1510	2050	650	brillant / black elox	transparent	0	734 €	772 €
MI D2R / 1600	MI D2R 160205 VPE	MI D2R 160205 NPE	1570-1610	2050	700	brillant / black elox	transparent	0	749 €	789 €
MI D2R / 1700	MI D2R 170205 VPE	MI D2R 170205 NPE	1670-1710	2050	750	brillant / black elox	transparent	0	766 €	806 €
MI D2R / 1800	MI D2R 180205 VPE	MI D2R 180205 NPE	1770-1810	2050	800	brillant / black elox	transparent	0	779 €	820 €

MI D2L / MI D2R (atypical customized solution)

type	width (y)	height (h)	profile	glass	delivery method	Price
MI D2L	up to 1800 mm	up to 2050 mm	brillant / black elox	transparent	Z	on request
MI D2R	up to 1800 mm	up to 2050 mm	brillant / black elox	transparent	Z	on request



Nominal sizes of shower enclosures are designed for INSTALLATION ON THE TRAY and they are always assembled with indentation from the edge of the tray. With INSTALLATION ON THE TILES there is a risk, that the size of shower enclosure will be smaller than measured width of the tiles. It is necessary to follow the size charts on "TECHNICAL SPECIFICATION" pages at the end of our catalogue (p. 281-303).



We wanted to provide you with a real sense of comfort so that you can feel really good in your bathroom. We have therefore equipped our newly designed **MI D2L/MI D2R** sliding doors with the **SOFTCLOSE** automatic closing system. **Black elox (NPE)** variants are now also available.



■ MI D2R - Brillant (VPE)

Melina

for your convenience

SOFTCLOSE door closing technology

MI D2L/R + MI FX2

square or rectangular shower enclosure
with a sliding door and a side panel MI FX2

6 mm ESG Tempered glass
Transparent



Profile colour
Brillant / Black elox



■ MI D2L + MI FX2 - Brillant (VPE)

high-quality execution of all elements

- standard height of 2 050 mm
- universal panel design for right and left installation
- SOFTCLOSE - convenient entry through automatic door closing technology



■ The design of the door rail and side panel connection



■ **MI FX2 + MI D2R** - sliding door with automatic closing system in combination with side panel MI FX2 in the Black elox (NPE) colour finishing

MI FX2 (side panel)

type	ordering No. Brillant version	ordering No. Black elox version	installation width (y)	height (h)	profile	glass	delivery method	Price Brillant	Price Black
MI FX2/750	MI FX2 075205 VPE	MI FX2 075205 NPE	725-750	2050*	brillant / black elox	transparent	0	256 €	269 €
MI FX2/800	MI FX2 080205 VPE	MI FX2 080205 NPE	775-800	2050*	brillant / black elox	transparent	0	261 €	275 €
MI FX2/900	MI FX2 090205 VPE	MI FX2 090205 NPE	875-900	2050*	brillant / black elox	transparent	0	273 €	287 €
MI FX2/1000	MI FX2 100205 VPE	MI FX2 100205 NPE	975-1000	2050*	brillant / black elox	transparent	0	286 €	301 €
MI FX2/1100	MI FX2 110205 VPE	MI FX2 110205 NPE	1075-1100	2050*	brillant / black elox	transparent	0	298 €	313 €
MI FX2/1200	MI FX2 120205 VPE	MI FX2 120205 NPE	1175-1200	2050*	brillant / black elox	transparent	0	309 €	325 €

h* - height including supporting elements

MI FX2 (atypical customized solution)

type	width (y)	height (h)	profile	glass	delivery method	Price
MI FX2	up to 1400 mm	up to 2000 mm	brillant / black elox	transparent	Z	on request



■ **MI D2L + MI FX2**



■ **MI FX2 + MI D2R**



Nominal sizes of shower enclosures are designed for INSTALLATION ON THE TRAY and they are always assembled with indentation from the edge of the tray. With INSTALLATION ON THE TILES there is a risk, that the size of shower enclosure will be smaller than measured width of the tiles. It is necessary to follow the size charts on "TECHNICAL SPECIFICATION" pages at the end of our catalogue (p. 281-303).

Melina

for your convenience

SOFTCLOSE door closing technology

MI DWL / MI DWR

large shower screen with sliding shower door using the SOFTCLOSE technology

6 mm ESG tempered glass
Transparent



Profile colour
Brilliant / Black elox



MI DWL - Brilliant (VPE)

high-quality execution of all elements

- standard height of 2 050 mm
- large number of size options to choose from
- SOFTCLOSE - convenient entry through automatic door closing technology



■ Support bar with a maximum length of 1200 mm.

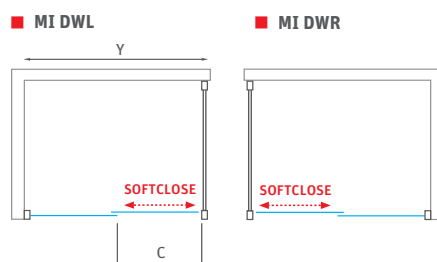
■ MI DWL - right solution of the walk-in type screen with sliding door in Black elox (NPE) finishing.

MI DWL / MI DWL (walk-in screen with sliding shower door)

type	ordering No. Brillant version	ordering No. Black elox version	installation width (y)	height (h)	entrance width (c)	profile	glass	delivery method	Price Brillant	Price Black
MI DWL - left										
MI DWL/ 1000	MI DWL 100205 VPE	MI DWL 100205 NPE	985-1010	2050	400	brillant / black elox	transparent	0	656 €	690 €
MI DWL/ 1100	MI DWL 110205 VPE	MI DWL 110205 NPE	1085-1110	2050	450	brillant / black elox	transparent	0	671 €	707 €
MI DWL/ 1200	MI DWL 120205 VPE	MI DWL 120205 NPE	1185-1210	2050	500	brillant / black elox	transparent	0	687 €	723 €
MI DWL/ 1300	MI DWL 130205 VPE	MI DWL 130205 NPE	1285-1310	2050	550	brillant / black elox	transparent	0	702 €	739 €
MI DWL/ 1400	MI DWL 140205 VPE	MI DWL 140205 NPE	1385-1410	2050	600	brillant / black elox	transparent	0	718 €	756 €
MI DWL/ 1500	MI DWL 150205 VPE	MI DWL 150205 NPE	1485-1510	2050	650	brillant / black elox	transparent	0	734 €	772 €
MI DWL/ 1600	MI DWL 160205 VPE	MI DWL 160205 NPE	1585-1610	2050	700	brillant / black elox	transparent	0	749 €	789 €
MI DWL/ 1700	MI DWL 170205 VPE	MI DWL 170205 NPE	1685-1710	2050	750	brillant / black elox	transparent	0	766 €	806 €
MI DWL/ 1800	MI DWL 180205 VPE	MI DWL 180205 NPE	1785-1810	2050	800	brillant / black elox	transparent	0	779 €	820 €
MI DWL - right										
MI DWL/ 1000	MI DWL 100205 VPE	MI DWL 100205 NPE	985-1010	2050	400	brillant / black elox	transparent	0	656 €	690 €
MI DWL/ 1100	MI DWL 110205 VPE	MI DWL 110205 NPE	1085-1110	2050	450	brillant / black elox	transparent	0	671 €	707 €
MI DWL/ 1200	MI DWL 120205 VPE	MI DWL 120205 NPE	1185-1210	2050	500	brillant / black elox	transparent	0	687 €	723 €
MI DWL/ 1300	MI DWL 130205 VPE	MI DWL 130205 NPE	1285-1310	2050	550	brillant / black elox	transparent	0	702 €	739 €
MI DWL/ 1400	MI DWL 140205 VPE	MI DWL 140205 NPE	1385-1410	2050	600	brillant / black elox	transparent	0	718 €	756 €
MI DWL/ 1500	MI DWL 150205 VPE	MI DWL 150205 NPE	1485-1510	2050	650	brillant / black elox	transparent	0	734 €	772 €
MI DWL/ 1600	MI DWL 160205 VPE	MI DWL 160205 NPE	1585-1610	2050	700	brillant / black elox	transparent	0	749 €	789 €
MI DWL/ 1700	MI DWL 170205 VPE	MI DWL 170205 NPE	1685-1710	2050	750	brillant / black elox	transparent	0	766 €	806 €
MI DWL/ 1800	MI DWL 180205 VPE	MI DWL 180205 NPE	1785-1810	2050	800	brillant / black elox	transparent	0	779 €	820 €

MI DWL / MI DWL (atypical customized solution)

type	width (y)	height (h)	profile	glass	delivery method	Price
MI DWL	up to 1800 mm	up to 2050 mm	brillant / black elox	transparent	Z	on request
MI DWL	up to 1800 mm	up to 2050 mm	brillant / black elox	transparent	Z	on request



Nominal sizes of shower enclosures are designed for INSTALLATION ON THE TRAY and they are always assembled with indentation from the edge of the tray. With INSTALLATION ON THE TILES there is a risk, that the size of shower enclosure will be smaller than measured width of the tiles. It is necessary to follow the size charts on "TECHNICAL SPECIFICATION" pages at the end of our catalogue (p. 281-303).

Cariba

intimate glass printing

Misty intima

For a greater sense of privacy while showering,
you can order the new ATYPICAL printed glass
treatment for CARIBA series products.

Roth



Cariba

solutions for every bathroom

Diversity that inspires.

The widest selection of shapes and variants in one series.

...and now the possibility to produce in this series

atypical models with a height of up to 2250 mm!

Cariba

Tuned look down to the smallest detail
in perfect harmony of metal and glass.

Let yourself be carried away by the wave
of relaxation, dreaming and well-being ...

Don't rush, you have just discovered it.

The Cariba series brings the right solution
for every bathroom.

■ **With the exception of hinged doors, you can now choose products in a modern black design**

■ **High-quality lifting mechanism for comfortable double-sided opening**

■ **Easy maintenance thanks to sophisticated technical elements**



Brillant



Black elox

Possibility of new glass
and prints - p. 180-181



QUADRANT



CORNER



NICHE



„U“ CABIN

Cariba

solutions for every bathroom

bottom tilt function
for easy maintenance

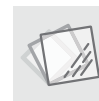


■ CI R55 - Brillant

CI R55

quadrant shower enclosure
with two sliding doors

- easy installation and reliable functionality
- sliding doors provide a solution for places, where you lack space to open the door
- RothETC glass surface treatment for easy maintenance
- available also in Black elox design



6 mm ESG Tempered glass
Transparent



Profile colour
Brillant / Black elox

CI R55 (quadrant shower enclosure with two sliding doors)

type	ordering No.	installation width (y)	height (h)	entrance width (c)	profile	glass	delivery method	Price
CI R55/800	CI R55 080200 VPE	777-802	2000	400	brillant	transparent	0	779 €
CI R55/800	CI R55 080200 NPE	777-802	2000	400	black elox	transparent	0	779 €
CI R55/900	CI R55 090200 VPE	877-902	2000	500	brillant	transparent	0	800 €
CI R55/900	CI R55 090200 NPE	877-902	2000	500	black elox	transparent	0	800 €
CI R55/1000	CI R55 100200 VPE	977-1002	2000	500	brillant	transparent	0	820 €
CI R55/1000	CI R55 100200 NPE	977-1002	2000	500	black elox	transparent	0	820 €



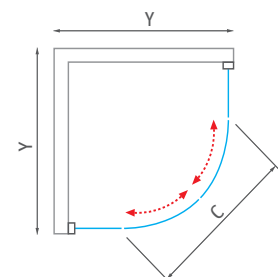
R - standard radius R550



■ Upper roller CI R55 for Black elox variant



■ The bottom slider allows the tilting of the door.



Nominal sizes of shower enclosures are designed for **INSTALLATION ON THE TRAY** and they are always assembled with indentation from the edge of the tray. With **INSTALLATION ON THE TILES** there is a risk, that the size of shower enclosure will be smaller than measured width of the tiles. It is necessary to follow the size charts on "TECHNICAL SPECIFICATION" pages at the end of our catalogue (p. 281–303).

innovated lifting
mechanism for opening



■ CI P55 - Black elox

CI P55

quadrant shower enclosure
with a double-door opening with fixed part

- convenient entry through double-sided opening in and out
- standard height 2 000 mm
- precise design, now also in Black elox design



6 mm ESG Tempered glass
Transparent



Profile colour
Brillant / Black elox

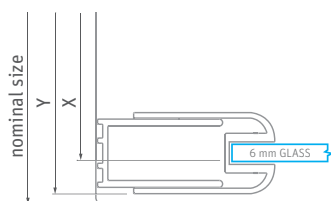
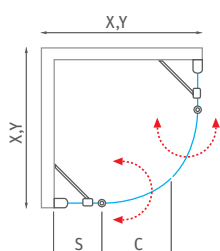
CI P55 (quadrant shower enclosure with a double-door opening)

type	ordering No.	installation width (y)	height (h)	door width (c)	side part width (s)	profile	glass	delivery method	Price
CI P55/900	CI P55 090200 VPE	867-892	2023*	455	275-300	brillant	transparent	0	683 €
CI P55/900	CI P55 090200 NPE	867-892	2023*	455	275-300	black elox	transparent	0	683 €
CI P55/1000	CI P55 100200 VPE	967-992	2023*	455	375-400	brillant	transparent	0	702 €
CI P55/1000	CI P55 100200 NPE	967-992	2023*	455	375-400	black elox	transparent	0	702 €

R - standard radius R550, h* - height including supporting elements



- The innovated lifting mechanism ensures easy door opening.



- Robust chrome finished metal handle



Nominal sizes of shower enclosures are designed for **INSTALLATION ON THE TRAY** and they are always assembled with indentation from the edge of the tray. With **INSTALLATION ON THE TILES** there is a risk, that the size of shower enclosure will be smaller than measured width of the tiles. It is necessary to follow the size charts on "TECHNICAL SPECIFICATION" pages at the end of our catalogue (p. 281-303).

Cariba

solutions for every bathroom

newly designed sliding door movement system

CI D3L / CI D3R

three-part shower door with two sliding segments and a fixed part for installation in a niche or for combination with the CI FXP side wall

- convenient entry thanks to the sliding of the two door segments over the fixed part
- standard height of 2 000 mm
- available also in Black elox design



5 mm ESG Tempered glass
Transparent



Profile colour
Brillant / Black elox



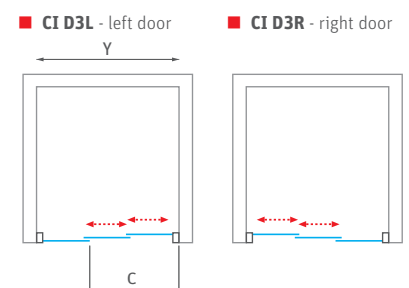
■ CI D3R - Black elox

CI D3L / CI D3R (three-part sliding door)

typ	ordering No. Brillant version	ordering No. Black elox version	installation width (y)	height (h)	entrance width (c)	profile	glass	delivery method	Price
CI D3L - left									
CI D3L / 800	CI D3L 080200 VPE	CI D3L 080200 NPE	760-810	2000	375	brillant / black elox	transparent	0	518 €
CI D3L / 900	CI D3L 090200 VPE	CI D3L 090200 NPE	860-910	2000	442	brillant / black elox	transparent	0	539 €
CI D3L / 1000	CI D3L 100200 VPE	CI D3L 100200 NPE	960-1010	2000	509	brillant / black elox	transparent	0	559 €
CI D3L / 1100	CI D3L 110200 VPE	CI D3L 110200 NPE	1060-1110	2000	576	brillant / black elox	transparent	0	579 €
CI D3L / 1200	CI D3L 120200 VPE	CI D3L 120200 NPE	1160-1210	2000	643	brillant / black elox	transparent	0	600 €
CI D3L / 1400	CI D3L 140200 VPE	CI D3L 140200 NPE	1360-1410	2000	843	brillant / black elox	transparent	0	620 €
CI D3R - right									
CI D3R / 800	CI D3R 080200 VPE	CI D3R 080200 NPE	760-810	2000	375	brillant / black elox	transparent	0	518 €
CI D3R / 900	CI D3R 090200 VPE	CI D3R 090200 NPE	860-910	2000	442	brillant / black elox	transparent	0	539 €
CI D3R / 1000	CI D3R 100200 VPE	CI D3R 100200 NPE	960-1010	2000	509	brillant / black elox	transparent	0	559 €
CI D3R / 1100	CI D3R 110200 VPE	CI D3R 110200 NPE	1060-1110	2000	576	brillant / black elox	transparent	0	579 €
CI D3R / 1200	CI D3R 120200 VPE	CI D3R 120200 NPE	1160-1210	2000	643	brillant / black elox	transparent	0	600 €
CI D3R / 1400	CI D3R 140200 VPE	CI D3R 140200 NPE	1360-1410	2000	843	brillant / black elox	transparent	0	620 €

CI D3L / CI D3R (atypical customized solution)

type	width (y)	height (h)	profile	glass	delivery method	Price
CI D3L/CI D3R	up to 1600 mm	up to 2000 mm	brillant / black elox	transparent	Z	on request
CI D3L/CI D3R	up to 1600 mm	up to 2000 mm	brillant / black elox	rauch	Z	on request
CI D3L/CI D3R	up to 1600 mm	up to 2000 mm	brillant / black elox	satinato	Z	on request
CI D3L/CI D3R	up to 1600 mm	up to 2000 mm	brillant / black elox	misty	Z	on request



Nominal sizes of shower enclosures are designed for INSTALLATION ON THE TRAY and they are always assembled with indentation from the edge of the tray. With INSTALLATION ON THE TILES there is a risk, that the size of shower enclosure will be smaller than measured width of the tiles. It is necessary to follow the size charts on "TECHNICAL SPECIFICATION" pages at the end of our catalogue (p. 281-303).



■ When the CI D3L/R door is opened, the two movable parts slide over the fixed part.



■ CI D3L + CI FXP

Cariba
solutions for every bathroom

innovated lifting
mechanism for opening

CI EPF + CI EPF

square or rectangular shower enclosure
with a double-door opening with fixed part

6 mm ESG Tempered glass
Transparent



Profile colour
Brillant / Black elox



■ CI EPF + CI EPF

focused on easy maintenance

- new variants in Black elox colour
- metal functional elements ensuring a long product life
- convenient entry through double-sided opening in and out



- Flexible support bar allows you to set different angles and also solves any wall irregularities



- **CI EPF + CI FXG** - combination of the single opening door and the side wall CI FXG - Black elox design

CI EPF (single opening shower door)

type	ordering No.	installation width (y)	height (h)	door width (c)	side part width (s)	profile	glass	delivery method	Price
CI EPF/800	CI EPF 080200 VPE	767-792	2023*	475	275-300	brillant	transparent	0	359 €
CI EPF/800	CI EPF 080200 NPE	767-792	2023*	475	275-300	black elox	transparent	0	359 €
CI EPF/900	CI EPF 090200 VPE	867-892	2023*	575	275-300	brillant	transparent	0	369 €
CI EPF/900	CI EPF 090200 NPE	867-892	2023*	575	275-300	black elox	transparent	0	369 €
CI EPF/1000	CI EPF 100200 VPE	967-992	2023*	625	325-350	brillant	transparent	0	379 €
CI EPF/1000	CI EPF 100200 NPE	967-992	2023*	625	325-350	black elox	transparent	0	379 €
CI EPF/1100	CI EPF 110200 VPE	1067-1092	2023*	725	325-350	brillant	transparent	0	390 €
CI EPF/1100	CI EPF 110200 NPE	1067-1092	2023*	725	325-350	black elox	transparent	0	390 €
CI EPF/1200	CI EPF 120200 VPE	1167-1192	2023*	725	425-450	brillant	transparent	0	400 €
CI EPF/1200	CI EPF 120200 NPE	1167-1192	2023*	725	425-450	black elox	transparent	0	400 €

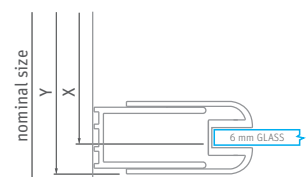
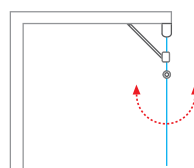
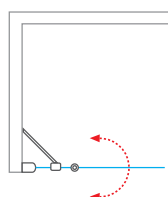
h* - height including supporting elements

CI EPF (atypical customized solution)

type	width (y)	height (h)	profile	glass	delivery method	Price
CI EPF	up to 1400 mm	up to 2000* mm	brillant / black elox	transparent	Z	on request
CI EPF	up to 1400 mm	up to 2000* mm	brillant / black elox	rauch	Z	on request
CI EPF	up to 1400 mm	up to 2000* mm	brillant / black elox	satinato	Z	on request
CI EPF	up to 1400 mm	up to 2000* mm	brillant / black elox	misty	Z	on request

* It is now possible to request the production of an atypical version with a height of up to 2250 mm for this product.

- **CI EPF** - universal LEFT and RIGHT solution



Nominal sizes of shower enclosures are designed for INSTALLATION ON THE TRAY and they are always assembled with indentation from the edge of the tray. With INSTALLATION ON THE TILES there is a risk, that the size of shower enclosure will be smaller than measured width of the tiles. It is necessary to follow the size charts on "TECHNICAL SPECIFICATION" pages at the end of our catalogue (p. 281–303).

Cariba
solutions for every bathroom

innovated lifting
mechanism for opening

CI PIG + CI PIG

square or rectangular shower enclosure
with a double-door opening

6 mm ESG Tempered glass
Transparent



Profile colour
Brilliant / Black elox



■ CI PIG + CI PIG - Black elox

focused on easy maintenance

- quality lifting mechanism for convenient opening inside and outside
- standard height 2 000 mm
- RothETC glass surface treatment for easy maintenance
- newly in Black elox design



- Threshold strip with bottom seal ensures perfect tightness



- **CI PIG + CI FXG** - combination of the single opening door and the side wall CI FXG

CI PIG (single shower door)

type	ordering No.	installation width (y)	height (h)	door width (c)	profile	glass	delivery method	Price
CI PIG/800	CI PIG 080200 VPE	767-792	2002*	675	brillant	transparent	0	316 €
CI PIG/800	CI PIG 080200 NPE	767-792	2002*	675	black elox	transparent	0	316 €
CI PIG/900	CI PIG 090200 VPE	867-892	2002*	775	brillant	transparent	0	326 €
CI PIG/900	CI PIG 090200 NPE	867-892	2002*	775	black elox	transparent	0	326 €
CI PIG/1000	CI PIG 100200 VPE	967-992	2002*	875	brillant	transparent	0	337 €
CI PIG/1000	CI PIG 100200 NPE	967-992	2002*	875	black elox	transparent	0	337 €

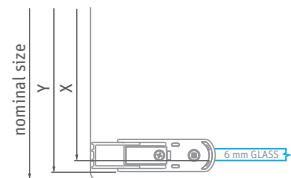
h* - height including supporting elements



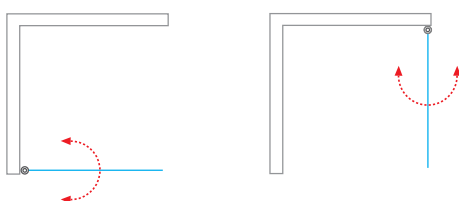
CI PIG (atypical customized solution)

type	width (y)	height (h)	profile	glass	delivery method	Price
CI PIG	up to 1000 mm	up to 2000* mm	brillant / black elox	transparent	Z	on request
CI PIG	up to 1000 mm	up to 2000* mm	brillant / black elox	rauch	Z	on request
CI PIG	up to 1000 mm	up to 2000* mm	brillant / black elox	satinato	Z	on request
CI PIG	up to 1000 mm	up to 2000* mm	brillant / black elox	misty	Z	on request

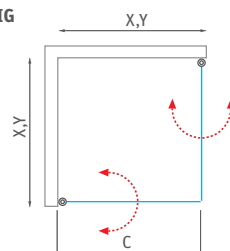
* It is now possible to request the production of an atypical version with a height of up to 2250 mm for this product.



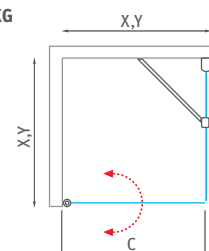
- **CI PIG** - universal LEFT and RIGHT solution



- **CI PIG + CI PIG**



- **CI PIG + CI FXG**



Nominal sizes of shower enclosures are designed for INSTALLATION ON THE TRAY and they are always assembled with indentation from the edge of the tray. With INSTALLATION ON THE TILES there is a risk, that the size of shower enclosure will be smaller than measured width of the tiles. It is necessary to follow the size charts on "TECHNICAL SPECIFICATION" pages at the end of our catalogue (p. 281-303).

Cariba
solutions for every bathroom

innovated lifting
mechanism for opening

CI 2CL + CI 2CR

square or rectangular shower enclosure
with folding shower door and pivot system

6 mm ESG Tempered glass
Transparent



Profile colour
Brillant



■ CI 2CL + CI 2CR

quality processing to the last detail

- possibility to fold the door completely to the wall
- quality sealing elements and convenient maintenance



■ Embedded door hinges on the inside for easy cleaning

■ CI 2CL + CI FXG - folding shower door with the side wall CI FXG



CI 2CL/ CI 2CR (folding shower door with pivot system)

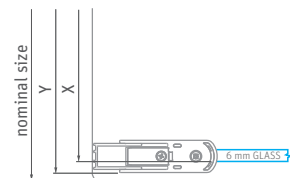
type	ordering No.	installation width (y)	height (h)	width (c1)	width (c2)	profile	glass	delivery method	Price
CI 2CL/800	CI 2CL 080200 VPE	767-792	2002*	335	340	brillant	transparent	0	461 €
CI 2CL/900	CI 2CL 090200 VPE	867-892	2002*	385	390	brillant	transparent	0	469 €
CI 2CL/1000	CI 2CL 100200 VPE	967-992	2002*	435	440	brillant	transparent	0	478 €
CI 2CR/800	CI 2CR 080200 VPE	767-792	2002*	335	340	brillant	transparent	0	461 €
CI 2CR/900	CI 2CR 090200 VPE	867-892	2002*	385	390	brillant	transparent	0	469 €
CI 2CR/1000	CI 2CR 100200 VPE	967-992	2002*	435	440	brillant	transparent	0	478 €

h* - height including supporting elements

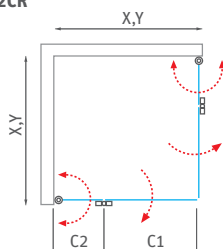
CI 2CL/ CI 2CR (atypical customized solution)

type	width (y)	height (h)	profile	glass	delivery method	Price
CI 2CL/CI 2CR	up to 1200 mm	up to 2000* mm	brillant	transparent	Z	on request
CI 2CL/CI 2CR	up to 1200 mm	up to 2000* mm	brillant	rauch	Z	on request
CI 2CL/CI 2CR	up to 1200 mm	up to 2000* mm	brillant	satinato	Z	on request
CI 2CL/CI 2CR	up to 1200 mm	up to 2000* mm	brillant	misty	Z	on request

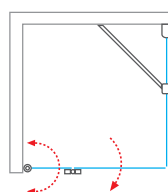
* It is now possible to request the production of an atypical version with a height of up to 2250 mm for this product.



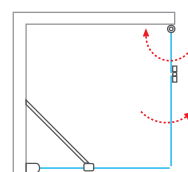
■ CI 2CL + CI 2CR



■ CI 2CL+ CI FXG



■ CI FXG + CI 2CR



Nominal sizes of shower enclosures are designed for INSTALLATION ON THE TRAY and they are always assembled with indentation from the edge of the tray. With INSTALLATION ON THE TILES there is a risk, that the size of shower enclosure will be smaller than measured width of the tiles. It is necessary to follow the size charts on "TECHNICAL SPECIFICATION" pages at the end of our catalogue (p. 281-303).



■ CI FXG

CI FXG

side wall for combination with opening door CI EPF, CI PIG or CI 2CL/2CR

- RothETC glass surface treatment for easy maintenance
- new variants in Black elox colour
- glass height 1 978 mm



6 mm ESG Tempered glass
Transparent



Profile colour
Brillant / Black elox



CI FXG (side panel)

type	ordering No.	installation width (y)	height (h)	door width (c)	profile	glass	delivery method	Price
CI FXG/800	CI FXG 080200 VPE	768-793	2001*	—	brillant	transparent	0	224 €
CI FXG/800	CI FXG 080200 NPE	768-793	2001*	—	black elox	transparent	0	224 €
CI FXG/900	CI FXG 090200 VPE	868-893	2001*	—	brillant	transparent	0	245 €
CI FXG/900	CI FXG 090200 NPE	868-893	2001*	—	black elox	transparent	0	245 €
CI FXG/1000	CI FXG 100200 VPE	968-993	2001*	—	brillant	transparent	0	265 €
CI FXG/1000	CI FXG 100200 NPE	968-993	2001*	—	black elox	transparent	0	265 €

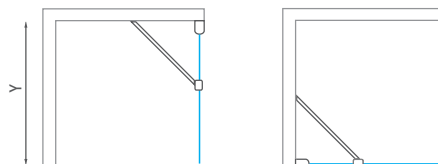
h* - height including supporting elements

CI FXG (atypical customized solution)

type	width (y)	height (h)	profile	glass	delivery method	Price
CI FXG	up to 1200 mm	up to 2000* mm	brillant / black elox	transparent	Z	on request
CI FXG	up to 1200 mm	up to 2000* mm	brillant / black elox	rauch	Z	on request
CI FXG	up to 1200 mm	up to 2000* mm	brillant / black elox	satinato	Z	on request
CI FXG	up to 1200 mm	up to 2000* mm	brillant / black elox	misty	Z	on request

* It is now possible to request the production of an atypical version with a height of up to 2250 mm for this product.

- CI FXG -universal LEFT and RIGHT solution



Nominal sizes of shower enclosures are designed for INSTALLATION ON THE TRAY and they are always assembled with indentation from the edge of the tray. With INSTALLATION ON THE TILES there is a risk, that the size of shower enclosure will be smaller than measured width of the tiles. It is necessary to follow the size charts on "TECHNICAL SPECIFICATION" pages at the end of our catalogue (p. 281–303).

focused on
easy maintenance



CI 2BT

double shower door for niche installation

- generous entrance with double-sided opening inside and outside
- available in Brillant and Black elox design
- standard height 2 000 mm and a large selection of offered variants



6 mm ESG Tempered glass
Transparent



Profile colour
Brillant / Black elox



CI 2BT (double pivot door for a niche)

type	ordering No.	installation width (y)	height (h)	door width (c)	profile	glass	delivery method	Price
CI 2BT/800	CI 2BT 080200 VPE	760-810	2002*	305	brillant	transparent	0	484 €
CI 2BT/800	CI 2BT 080200 NPE	760-810	2002*	305	black elox	transparent	0	484 €
CI 2BT/900	CI 2BT 090200 VPE	860-910	2002*	355	brillant	transparent	0	493 €
CI 2BT/900	CI 2BT 090200 NPE	860-910	2002*	355	black elox	transparent	0	493 €
CI 2BT/1000	CI 2BT 100200 VPE	960-1010	2002*	405	brillant	transparent	0	501 €
CI 2BT/1000	CI 2BT 100200 NPE	960-1010	2002*	405	black elox	transparent	0	501 €
CI 2BT/1100	CI 2BT 110200 VPE	1060-1110	2002*	455	brillant	transparent	0	510 €
CI 2BT/1100	CI 2BT 110200 NPE	1060-1110	2002*	455	black elox	transparent	0	510 €
CI 2BT/1200	CI 2BT 120200 VPE	1160-1210	2002*	505	brillant	transparent	0	518 €
CI 2BT/1200	CI 2BT 120200 NPE	1160-1210	2002*	505	black elox	transparent	0	518 €

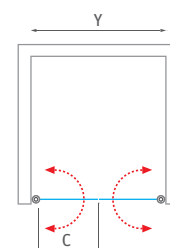
h* - height including supporting elements

CI 2BT (atypical customized solution)

type	width (y)	height (h)	profile	glass	delivery method	Price
CI 2BT	up to 1800 mm	up to 2000* mm	brillant / black elox	transparent	Z	on request
CI 2BT	up to 1800 mm	up to 2000* mm	brillant / black elox	rauch	Z	on request
CI 2BT	up to 1800 mm	up to 2000* mm	brillant / black elox	satinato	Z	on request
CI 2BT	up to 1800 mm	up to 2000* mm	brillant / black elox	misty	Z	on request

* It is now possible to request the production of an atypical version with a height of up to 2250 mm for this product.

■ CI 2BT



Nominal sizes of shower enclosures are designed for **INSTALLATION ON THE TRAY** and they are always assembled with indentation from the edge of the tray. With **INSTALLATION ON THE TILES** there is a risk, that the size of shower enclosure will be smaller than measured width of the tiles. It is necessary to follow the size charts on "TECHNICAL SPECIFICATION" pages at the end of our catalogue (p. 281–303).

Cariba

solutions for every bathroom

innovated lifting
mechanism for opening



CI PIF

single opening shower door with fixed element
for niche installation

- easy installation and reliable functionality
- RothETC glass surface treatment for easy maintenance
- convenient entry through double-sided opening in and out
- new variants in Black elox colour



6 mm ESG Tempered glass
Transparent



Profile colour
Brillant / Black elox

CI PIF (single shower door for a niche)

type	ordering No.	installation width (y)	height (h)	door width (c)	side part width (s)	profile	glass	delivery method	Price
CI PIF/800	CI PIF 080200 VPE	760-810	2023*	440	275-300	brillant	transparent	0	402 €
CI PIF/800	CI PIF 080200 NPE	760-810	2023*	440	275-300	black elox	transparent	0	402 €
CI PIF/900	CI PIF 090200 VPE	860-910	2023*	540	275-300	brillant	transparent	0	412 €
CI PIF/900	CI PIF 090200 NPE	860-910	2023*	540	275-300	black elox	transparent	0	412 €
CI PIF/1000	CI PIF 100200 VPE	960-1010	2023*	590	325-350	brillant	transparent	0	420 €
CI PIF/1000	CI PIF 100200 NPE	960-1010	2023*	590	325-350	black elox	transparent	0	420 €
CI PIF/1100	CI PIF 110200 VPE	1060-1110	2023*	690	325-350	brillant	transparent	0	428 €
CI PIF/1100	CI PIF 110200 NPE	1060-1110	2023*	690	325-350	black elox	transparent	0	428 €
CI PIF/1200	CI PIF 120200 VPE	1160-1210	2023*	690	425-450	brillant	transparent	0	437 €
CI PIF/1200	CI PIF 120200 NPE	1160-1210	2023*	690	425-450	black elox	transparent	0	437 €

h* - height including supporting elements

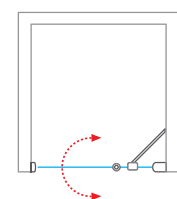
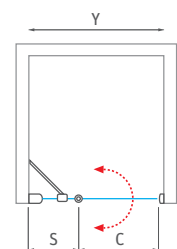
CI PIF (atypical customized solution)

type	width (y)	height (h)	profile	glass	delivery method	Price
CI PIF	up to 1400 mm	up to 2000* mm	brillant / black elox	transparent	Z	on request
CI PIF	up to 1400 mm	up to 2000* mm	brillant / black elox	rauch	Z	on request
CI PIF	up to 1400 mm	up to 2000* mm	brillant / black elox	satinato	Z	on request
CI PIF	up to 1400 mm	up to 2000* mm	brillant / black elox	misty	Z	on request

* It is now possible to request the production of an atypical version with a height of up to 2250 mm for this product.



■ **CI PIF** - universal LEFT and RIGHT solution



Nominal sizes of shower enclosures are designed for **INSTALLATION ON THE TRAY** and they are always assembled with indentation from the edge of the tray. With **INSTALLATION ON THE TILES** there is a risk, that the size of shower enclosure will be smaller than measured width of the tiles. It is necessary to follow the size charts on "TECHNICAL SPECIFICATION" pages at the end of our catalogue (p. 281-303).

newly available
in Black elox design

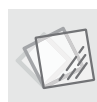


■ CI PIV

CI PIV

single opening shower door
for niche installation

- standard height 2 000 mm
- quality lifting mechanism for convenient opening inside and outside
- RothETC glass surface treatment for easy maintenance



6 mm ESG Tempered glass
Transparent



Profile colour
Brillant / Black elox



CI PIV (single shower door for a niche)

type	ordering No.	installation width (y)	height (h)	door width (c)	profile	glass	delivery method	Price
CI PIV/800	CI PIV 080200 VPE	760-810	2002*	640	brillant	transparent	0	324 €
CI PIV/800	CI PIV 080200 NPE	760-810	2002*	640	black elox	transparent	0	324 €
CI PIV/900	CI PIV 090200 VPE	860-910	2002*	740	brillant	transparent	0	333 €
CI PIV/900	CI PIV 090200 NPE	860-910	2002*	740	black elox	transparent	0	333 €
CI PIV/1000	CI PIV 100200 VPE	960-1010	2002*	840	brillant	transparent	0	343 €
CI PIV/1000	CI PIV 100200 NPE	960-1010	2002*	840	black elox	transparent	0	343 €

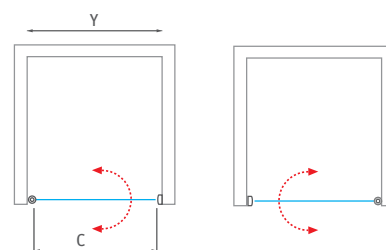
h* - height including supporting elements

CI PIV (atypical customized solution)

type	width (y)	height (h)	profile	glass	delivery method	Price
CI PIV	up to 1000 mm	up to 2000* mm	brillant / black elox	transparent	Z	on request
CI PIV	up to 1000 mm	up to 2000* mm	brillant / black elox	rauch	Z	on request
CI PIV	up to 1000 mm	up to 2000* mm	brillant / black elox	satinato	Z	on request
CI PIV	up to 1000 mm	up to 2000* mm	brillant / black elox	misty	Z	on request

* It is now possible to request the production of an atypical version with a height of up to 2250 mm for this product.

■ CI PIV - universal LEFT and RIGHT solution



Nominal sizes of shower enclosures are designed for INSTALLATION ON THE TRAY and they are always assembled with indentation from the edge of the tray. With INSTALLATION ON THE TILES there is a risk, that the size of shower enclosure will be smaller than measured width of the tiles. It is necessary to follow the size charts on "TECHNICAL SPECIFICATION" pages at the end of our catalogue (p. 281-303).

Cariba

solutions for every bathroom

innovated lifting mechanism for opening

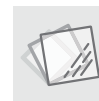


■ CI PIL

CI PIL / CI PIR

solution for niche installation
with folding door and pivot system

- possibility to fold the door completely to the wall
- quality sealing components and easy maintenance
- convenient entry through double-sided opening in and out



6 mm ESG Tempered glass
Transparent



Profile colour
Brillant

CI PIL / CI PIR (folding shower door for a niche)									
type	ordering No.	installation width (y)	height (h)	width (c1)	width (c2)	profile	glass	delivery method	Price
CI PIL/800	CI PIL 080200 VPE	760-810	2002*	320	322	brillant	transparent	0	516 €
CI PIL/900	CI PIL 090200 VPE	860-910	2002*	370	372	brillant	transparent	0	524 €
CI PIL/1000	CI PIL 100200 VPE	960-1010	2002*	420	422	brillant	transparent	0	532 €
CI PIL/1200	CI PIL 120200 VPE	1160-1210	2002*	520	522	brillant	transparent	0	549 €
CI PIR/800	CI PIR 080200 VPE	760-810	2002*	320	322	brillant	transparent	0	516 €
CI PIR/900	CI PIR 090200 VPE	860-910	2002*	370	372	brillant	transparent	0	524 €
CI PIR/1000	CI PIR 100200 VPE	960-1010	2002*	420	422	brillant	transparent	0	532 €
CI PIR/1200	CI PIR 120200 VPE	1160-1210	2002*	520	522	brillant	transparent	0	549 €

h* - height including supporting elements

CI PIL / CI PIR (atypical customized solution)						
type	width (y)	height (h)	profile	glass	delivery method	Price
CI PIL/CI PIR	up to 1200 mm	up to 2000* mm	brillant	transparent	Z	on request
CI PIL/CI PIR	up to 1200 mm	up to 2000* mm	brillant	rauch	Z	on request
CI PIL/CI PIR	up to 1200 mm	up to 2000* mm	brillant	satinato	Z	on request
CI PIL/CI PIR	up to 1200 mm	up to 2000* mm	brillant	misty	Z	on request

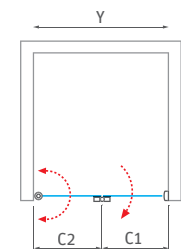
* It is now possible to request the production of an atypical version with a height of up to 2250 mm for this product.



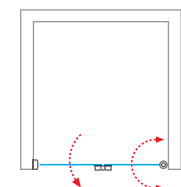
Nominal sizes of shower enclosures are designed for INSTALLATION ON THE TRAY and they are always assembled with indentation from the edge of the tray. With INSTALLATION ON THE TILES there is a risk, that the size of shower enclosure will be smaller than measured width of the tiles. It is necessary to follow the size charts on "TECHNICAL SPECIFICATION" pages at the end of our catalogue (p. 281–303).



■ CI PIL



■ CI PIR



focused on
easy maintenance



CI RFL / CI RFR

solution for niche installation with fixed element
with folding door and pivot system

- standard height 2 000 mm
- popular folding doors extended by a fixed part for a generous niche door solution
- large selection of offered variants



6 mm ESG Tempered glass
Transparent



Profile colour
Brillant

CI RFL / CI RFR (folding shower door for a niche)

type	ordering No.	installation width (y)	height (h)	width (c1)	width (c2)	width (s)	profile	glass	delivery method	Price
CI RFL/1100	CI RFL 110200 VPE	1060-1110	2023*	370	372	275-300	brillant	transparent	0	630 €
CI RFL/1200	CI RFL 120200 VPE	1160-1210	2023*	420	422	275-300	brillant	transparent	0	641 €
CI RFL/1400	CI RFL 140200 VPE	1360-1410	2023*	420	422	475-500	brillant	transparent	0	659 €
CI RFL/1600	CI RFL 160200 VPE	1560-1610	2023*	520	522	475-500	brillant	transparent	0	675 €
CI RFR/1100	CI RFR 110200 VPE	1060-1110	2023*	370	372	275-300	brillant	transparent	0	630 €
CI RFR/1200	CI RFR 120200 VPE	1160-1210	2023*	420	422	275-300	brillant	transparent	0	641 €
CI RFR/1400	CI RFR 140200 VPE	1360-1410	2023*	420	422	475-500	brillant	transparent	0	659 €
CI RFR/1600	CI RFR 160200 VPE	1560-1610	2023*	520	522	475-500	brillant	transparent	0	675 €

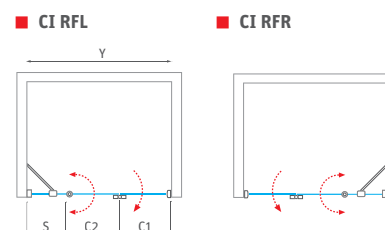
h* - height including supporting elements



CI RFL / CI RFR (atypical customized solution)

type	width (y)	height (h)	profile	glass	delivery method	Price
CI RFL/CI RFR	up to 1600 mm	up to 2000* mm	brillant	transparent	Z	on request
CI RFL/CI RFR	up to 1600 mm	up to 2000* mm	brillant	rauch	Z	on request
CI RFL/CI RFR	up to 1600 mm	up to 2000* mm	brillant	satinato	Z	on request
CI RFL/CI RFR	up to 1600 mm	up to 2000* mm	brillant	misty	Z	on request

* It is now possible to request the production of an atypical version with a height of up to 2250 mm for this product.



! Nominal sizes of shower enclosures are designed for **INSTALLATION ON THE TRAY** and they are always assembled with indentation from the edge of the tray. With **INSTALLATION ON THE TILES** there is a risk, that the size of shower enclosure will be smaller than measured width of the tiles. It is necessary to follow the size charts on "TECHNICAL SPECIFICATION" pages at the end of our catalogue (p. 281–303).

Cariba

solutions for every bathroom

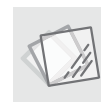
tuned design
of metal elements



CI FXP

side wall with corner profile

- newly available variants in Black elox colour
- side wall for combination with a niche door
- or create a "U" cabin solution



6 mm ESG Tempered glass
Transparent



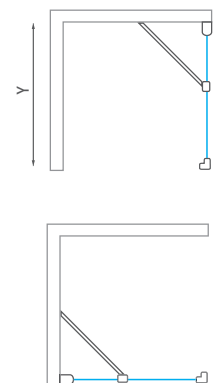
Profile colour
Brilliant / Black elox

CI FXP (side wall with corner profile)

type	ordering No.	installation width (y)	height (h)	door width (c)	profile	glass	delivery method	Price
CI FXP/700	CI FXP 070200 VPE	652-702	2023*	—	brilliant	transparent	0	259 €
CI FXP/700	CI FXP 070200 NPE	652-702	2023*	—	black elox	transparent	0	259 €
CI FXP/750	CI FXP 075200 VPE	702-752	2023*	—	brilliant	transparent	0	265 €
CI FXP/750	CI FXP 075200 NPE	702-752	2023*	—	black elox	transparent	0	265 €
CI FXP/800	CI FXP 080200 VPE	752-802	2023*	—	brilliant	transparent	0	269 €
CI FXP/800	CI FXP 080200 NPE	752-802	2023*	—	black elox	transparent	0	269 €
CI FXP/900	CI FXP 090200 VPE	852-902	2023*	—	brilliant	transparent	0	277 €
CI FXP/900	CI FXP 090200 NPE	852-902	2023*	—	black elox	transparent	0	277 €
CI FXP/1000	CI FXP 100200 VPE	952-1002	2023*	—	brilliant	transparent	0	292 €
CI FXP/1000	CI FXP 100200 NPE	952-1002	2023*	—	black elox	transparent	0	292 €

h* - height including supporting elements

■ CI FXP - universal LEFT and RIGHT solution



CI FXP (atypical customized solution)

type	width (y)	height (h)	profile	glass	delivery method	Price
CI FXP	up to 1200 mm	up to 2000* mm	brilliant / black elox	transparent	Z	on request
CI FXP	up to 1200 mm	up to 2000* mm	brilliant / black elox	rauch	Z	on request
CI FXP	up to 1200 mm	up to 2000* mm	brilliant / black elox	satinato	Z	on request
CI FXP	up to 1200 mm	up to 2000* mm	brilliant / black elox	misty	Z	on request

* It is now possible to request the production of an atypical version with a height of up to 2250 mm for this product.

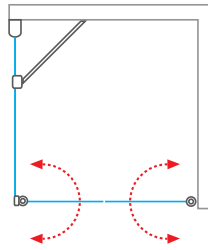


Nominal sizes of shower enclosures are designed for INSTALLATION ON THE TRAY and they are always assembled with indentation from the edge of the tray. With INSTALLATION ON THE TILES there is a risk, that the size of shower enclosure will be smaller than measured width of the tiles. It is necessary to follow the size charts on "TECHNICAL SPECIFICATION" pages at the end of our catalogue (p. 281–303).

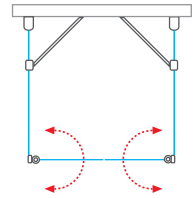
combination of door with CI FXP side wall



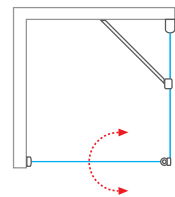
■ CI FXP + CI 2BT



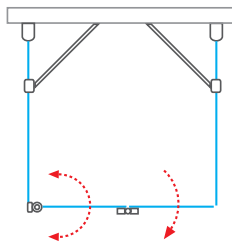
■ CI FXP + CI 2BT + CI FXP



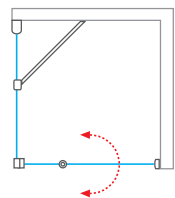
■ CI PIV + CI FXP



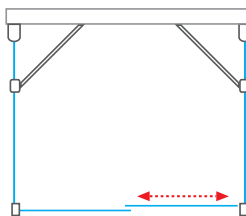
■ CI FXP + CI 2CL + CI FXG



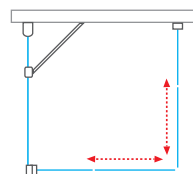
■ CI FXP + CI PIF



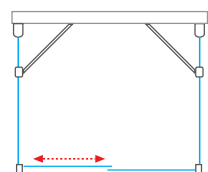
■ CI FXP + CI D2L + CI FXP



■ CI FXP + CI C2L + CI C2R



■ CI FXP + CI D2R + CI FXP





CI FXO

additional side wall for installation
of CI PIG or CI EPF doors to a niche

- variable solution for easy creation of niche shower door
- create a width of shower door from 960 mm up to 1 810 mm
- universal LEFT and RIGHT solution, also available in the popular Black elox



6 mm ESG Tempered glass
Transparent



Profile colour
Brillant / Black elox

CI FXO (additional side panel to CI PIG or CI EPF)

type	ordering No.	installation width (y)	height (h)	profile	glass	delivery method	Price
CI FXO/230	CI FXO 023200 VPE	209 - 234	2007*	brillant	transparent	0	157 €
CI FXO/230	CI FXO 023200 NPE	209 - 234	2007*	black elox	transparent	0	157 €
CI FXO/330	CI FXO 033200 VPE	309 - 334	2007*	brillant	transparent	0	165 €
CI FXO/330	CI FXO 033200 NPE	309 - 334	2007*	black elox	transparent	0	165 €
CI FXO/430	CI FXO 043200 VPE	409 - 434	2007*	brillant	transparent	0	175 €
CI FXO/430	CI FXO 043200 NPE	409 - 434	2007*	black elox	transparent	0	175 €
CI FXO/530	CI FXO 053200 VPE	509 - 534	2007*	brillant	transparent	0	184 €
CI FXO/530	CI FXO 053200 NPE	509 - 534	2007*	black elox	transparent	0	184 €
CI FXO/630	CI FXO 063200 VPE	609 - 634	2007*	brillant	transparent	0	196 €
CI FXO/630	CI FXO 063200 NPE	609 - 634	2007*	black elox	transparent	0	196 €

h* - height including supporting elements



- Universal bottom door seal for installation with or without a threshold strip



CI FXO (atypical customized solution)

type	width (y)	height (h)	profile	glass	delivery method	Price
CI FXO	up to 1000 mm	up to 2000* mm	brillant / black elox	transparent	Z	on request
CI FXO	up to 1000 mm	up to 2000* mm	brillant / black elox	rauch	Z	on request
CI FXO	up to 1000 mm	up to 2000* mm	brillant / black elox	satinato	Z	on request
CI FXO	up to 1000 mm	up to 2000* mm	brillant / black elox	misty	Z	on request

* It is now possible to request the production of an atypical version with a height of up to 2250 mm for this product.



Nominal sizes of shower enclosures are designed for INSTALLATION ON THE TRAY and they are always assembled with indentation from the edge of the tray. With INSTALLATION ON THE TILES there is a risk, that the size of shower enclosure will be smaller than measured width of the tiles. It is necessary to follow the size charts on "TECHNICAL SPECIFICATION" pages at the end of our catalogue (p. 281-303).



Choose the dimension you need!
By using this universal in-line side wall you can create truly perfect door for niche from the standard doors **CI PIG** or **CI EPF**...

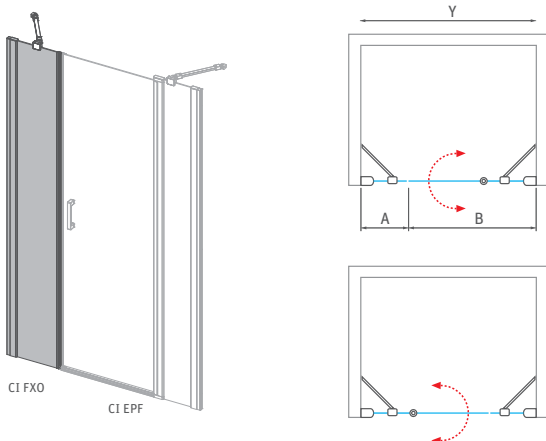
- Flexible support bar allows you to set different angles and also solves any wall irregularities - Black elox.



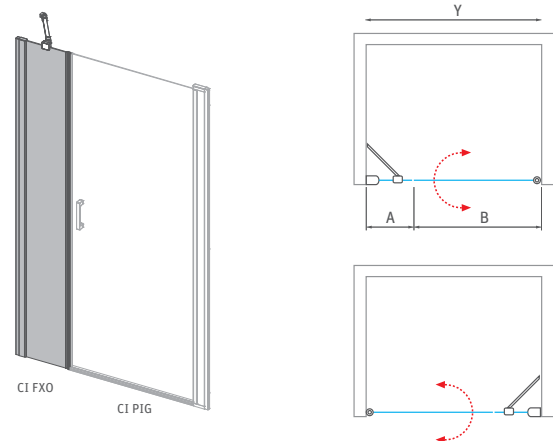
Y (min-max)			CI EPF/800	CI EPF/900	CI EPF/1000	CI EPF/1100	CI EPF/1200
			B	B	B	B	B
			751-776	851-876	951-976	1051-1076	1151-1176
CI FXO/230	A	209-234	960-1010	1060-1110	1160-1210	1260-1310	1360-1410
CI FXO/330	A	309-334	1060-1110	1160-1210	1260-1310	1360-1410	1460-1510
CI FXO/430	A	409-434	1160-1210	1260-1310	1360-1410	1460-1510	1560-1610
CI FXO/530	A	509-534	1260-1310	1360-1410	1460-1510	1560-1610	1660-1710
CI FXO/630	A	609-634	1360-1410	1460-1510	1560-1610	1660-1710	1760-1810

Y (min-max)			CI PIG/800	CI PIG/900	CI PIG/1000
			B	B	B
			751-776	851-876	951-976
CI FXO/230	A	209-234	960-1010	1060-1110	1160-1210
CI FXO/330	A	309-334	1060-1110	1160-1210	1260-1310
CI FXO/430	A	409-434	1160-1210	1260-1310	1360-1410
CI FXO/530	A	509-534	1260-1310	1360-1410	1460-1510
CI FXO/630	A	609-634	1360-1410	1460-1510	1560-1610

■ CI FXO - universal LEFT and RIGHT solution



■ CI FXO - universal LEFT and RIGHT solution



Cariba
solutions for every bathroom

innovative sliding
door system

CI D2L / CI D2R

sliding shower door for niche installation
or for combination with side panel CI FXP

6 mm ESG Tempered glass
Transparent



Profile colour
Brilliant / Black elox



■ CI D2L

newly available in Black elox design

- modern solution with barrier-free entrance
- tilting system of the bottom part allows easy maintenance
- quiet door movement thanks to modernized rollers



■ Innovated rollers for quiet and smooth door operation



■ CI D2L + CI FXP - sliding shower door with the side wall CI FXP in Black elox design

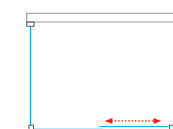
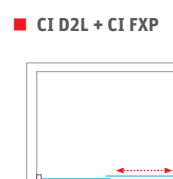
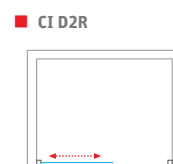
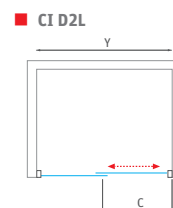
CI D2L/ CI D2R (sliding shower door)

type	ordering No.	installation width (y)	height (h)	entrance width (c)	side part width (s)	profile	glass	delivery method	Price
CI D2L/1200	CI D2L 120200 VPE	1160-1210	2002	485	530-555	brillant	transparent	0	412 €
CI D2L/1200	CI D2L 120200 NPE	1160-1210	2002	485	530-555	black elox	transparent	0	412 €
CI D2L/1300	CI D2L 130200 VPE	1260-1310	2002	535	580-605	brillant	transparent	0	424 €
CI D2L/1300	CI D2L 130200 NPE	1260-1310	2002	535	580-605	black elox	transparent	0	424 €
CI D2L/1400	CI D2L 140200 VPE	1360-1410	2002	585	630-655	brillant	transparent	0	432 €
CI D2L/1400	CI D2L 140200 NPE	1360-1410	2002	585	630-655	black elox	transparent	0	432 €
CI D2L/1500	CI D2L 150200 VPE	1460-1510	2002	635	680-705	brillant	transparent	0	441 €
CI D2L/1500	CI D2L 150200 NPE	1460-1510	2002	635	680-705	black elox	transparent	0	441 €
CI D2L/1600	CI D2L 160200 VPE	1560-1610	2002	685	730-755	brillant	transparent	0	459 €
CI D2L/1600	CI D2L 160200 NPE	1560-1610	2002	685	730-755	black elox	transparent	0	459 €
CI D2R/1200	CI D2R 120200 VPE	1160-1210	2002	485	530-555	brillant	transparent	0	412 €
CI D2R/1200	CI D2R 120200 NPE	1160-1210	2002	485	530-555	black elox	transparent	0	412 €
CI D2R/1300	CI D2R 130200 VPE	1260-1310	2002	535	580-605	brillant	transparent	0	424 €
CI D2R/1300	CI D2R 130200 NPE	1260-1310	2002	535	580-605	black elox	transparent	0	424 €
CI D2R/1400	CI D2R 140200 VPE	1360-1410	2002	585	630-655	brillant	transparent	0	432 €
CI D2R/1400	CI D2R 140200 NPE	1360-1410	2002	585	630-655	black elox	transparent	0	432 €
CI D2R/1500	CI D2R 150200 VPE	1460-1510	2002	635	680-705	brillant	transparent	0	441 €
CI D2R/1500	CI D2R 150200 NPE	1460-1510	2002	635	680-705	black elox	transparent	0	441 €
CI D2R/1600	CI D2R 160200 VPE	1560-1610	2002	685	730-755	brillant	transparent	0	459 €
CI D2R/1600	CI D2R 160200 NPE	1560-1610	2002	685	730-755	black elox	transparent	0	459 €

CI D2L/ CI D2R (atypical customized solution)

type	width (y)	height (h)	profile	glass	delivery method	Price
CI D2L/CI D2R	up to 1600 mm	up to 2000* mm	brillant / black elox	transparent	Z	on request
CI D2L/CI D2R	up to 1600 mm	up to 2000* mm	brillant / black elox	rauch	Z	on request
CI D2L/CI D2R	up to 1600 mm	up to 2000* mm	brillant / black elox	satinato	Z	on request
CI D2L/CI D2R	up to 1600 mm	up to 2000* mm	brillant / black elox	misty	Z	on request

* It is now possible to request the production of an atypical version with a height of up to 2250 mm for this product.



Nominal sizes of shower enclosures are designed for INSTALLATION ON THE TRAY and they are always assembled with indentation from the edge of the tray. With INSTALLATION ON THE TILES there is a risk, that the size of shower enclosure will be smaller than measured width of the tiles. It is necessary to follow the size charts on "TECHNICAL SPECIFICATION" pages at the end of our catalogue (p. 281-303).

Cariba
solutions for every bathroom

innovative sliding
door system

CI C2L + CI C2R

square or rectangular shower enclosure
with two sliding doors

6 mm ESG Tempered glass
Transparent



Profile colour
Brillant / Black elox



■ CI C2L + CI C2R

focused on easy maintenance

- tilting system of the bottom part allows easy maintenance
- modern solution with barrier-free entrance
- new variants in Black elox colour
- square or rectangular solution with a suitable combination of left and right part



■ The solid bottom slider for easy tilting of the door allows easy maintenance even in inaccessible places

■ The upper rollers ensure smooth operation of the door

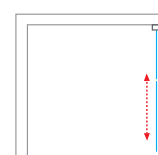
CI C2L / CI C2R (sliding shower door - left / right part)

type	ordering No.	installation width (y)	height (h)	entrance width (c)	side part width (s)	profile	glass	delivery method	Price
CI C2L - left part									
CI C2L/800	CI C2L 080200 VPE	775-800	2002*	428	340-365	brillant	transparent	0	326 €
CI C2L/800	CI C2L 080200 NPE	775-800	2002*	428	340-365	black elox	transparent	0	326 €
CI C2L/900	CI C2L 090200 VPE	875-900	2002*	498	390-415	brillant	transparent	0	333 €
CI C2L/900	CI C2L 090200 NPE	875-900	2002*	498	390-415	black elox	transparent	0	333 €
CI C2L/1000	CI C2L 100200 VPE	975-1000	2002*	569	440-465	brillant	transparent	0	345 €
CI C2L/1000	CI C2L 100200 NPE	975-1000	2002*	569	440-465	black elox	transparent	0	345 €
CI C2L/1100	CI C2L 110200 VPE	1075-1100	2002*	640	490-515	brillant	transparent	0	355 €
CI C2L/1100	CI C2L 110200 NPE	1075-1100	2002*	640	490-515	black elox	transparent	0	355 €
CI C2L/1200	CI C2L 120200 VPE	1175-1200	2002*	710	540-565	brillant	transparent	0	379 €
CI C2L/1200	CI C2L 120200 NPE	1175-1200	2002*	710	540-565	black elox	transparent	0	379 €
CI C2R - right part									
CI C2R/800	CI C2R 080200 VPE	775-800	2002*	428	340-365	brillant	transparent	0	326 €
CI C2R/800	CI C2R 080200 NPE	775-800	2002*	428	340-365	black elox	transparent	0	326 €
CI C2R/900	CI C2R 090200 VPE	875-900	2002*	498	390-415	brillant	transparent	0	333 €
CI C2R/900	CI C2R 090200 NPE	875-900	2002*	498	390-415	black elox	transparent	0	333 €
CI C2R/1000	CI C2R 100200 VPE	975-1000	2002*	569	440-465	brillant	transparent	0	345 €
CI C2R/1000	CI C2R 100200 NPE	975-1000	2002*	569	440-465	black elox	transparent	0	345 €
CI C2R/1100	CI C2R 110200 VPE	1075-1100	2002*	640	490-515	brillant	transparent	0	355 €
CI C2R/1100	CI C2R 110200 NPE	1075-1100	2002*	640	490-515	black elox	transparent	0	355 €
CI C2R/1200	CI C2R 120200 VPE	1175-1200	2002*	710	540-565	brillant	transparent	0	379 €
CI C2R/1200	CI C2R 120200 NPE	1175-1200	2002*	710	540-565	black elox	transparent	0	379 €

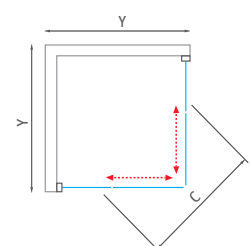
■ CI C2L



■ CI C2R



■ CI C2L + CI C2R



CI C2L / CI C2R (atypical customized solution)

type	width (y)	height (h)	profile	glass	delivery method	Price
CI C2L/CI C2R	up to 1200 mm	up to 2000* mm	brillant / black elox	transparent	Z	on request
CI C2L/CI C2R	up to 1200 mm	up to 2000* mm	brillant / black elox	rauch	Z	on request
CI C2L/CI C2R	up to 1200 mm	up to 2000* mm	brillant / black elox	satinato	Z	on request
CI C2L/CI C2R	up to 1200 mm	up to 2000* mm	brillant / black elox	misty	Z	on request

* It is now possible to request the production of an atypical version with a height of up to 2250 mm for this product.



Nominal sizes of shower enclosures are designed for INSTALLATION ON THE TRAY and they are always assembled with indentation from the edge of the tray. With INSTALLATION ON THE TILES there is a risk, that the size of shower enclosure will be smaller than measured width of the tiles. It is necessary to follow the size charts on "TECHNICAL SPECIFICATION" pages at the end of our catalogue (p. 281–303).

Ambient Line
purity of shapes



QUADRANT



CORNER



NICHE



„U“ CABIN

■ **Brillant**

Purity of shapes and revolutionary design combined with an exceptional sliding mechanism

Ambient Line

By the use of high quality components made out of chrome-plated brass we achieved an unbeatably quiet operation. Standard height of 2 metres with a possibility of any door size combination will truly alleviate your worries about planning of your place for relaxation and wellness.

■ universal sliding door for a niche or in combination with a side panel

■ standard door dimensions from 1 200 to 1 500 mm

■ magnetic seal closure ensures improved tightness

Ambient Line

purity of shapes

unbeatably quiet
rollers operation

AMR2N

quadrant shower enclosure
with double sliding doors

- high quality components made out of chrome-plated brass have unbeatably quiet operation
- modern design with visible rollers
- RothETC glass surface treatment for easy maintenance



8 mm ESG Tempered glass
Transparent



Profile colour
Brillant



■ Magnetic seal closure with bottom door seal for perfect water-tightness



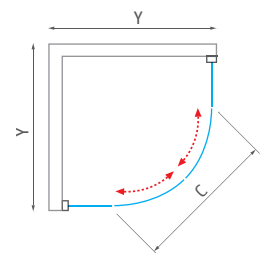
■ Quality stainless steel rollers for quiet operation

AMR2N (quadrant shower enclosure with two sliding doors)

type	ordering No.	installation width (y)	height (h)	entrance width (c)	profile	glass	delivery method	Price
AMR2N/900	624-9000000-00-02	885-895	2000	510	brillant	transparent	S	869 €
AMR2N/1000	624-1000000-00-02	985-995	2000	510	brillant	transparent	O	977 €

R - standard radius R550

■ AMR2N



Nominal sizes of shower enclosures are designed for **INSTALLATION ON THE TRAY** and they are always assembled with indentation from the edge of the tray. With **INSTALLATION ON THE TILES** there is a risk, that the size of shower enclosure will be smaller than measured width of the tiles. It is necessary to follow the size charts on "TECHNICAL SPECIFICATION" pages at the end of our catalogue (p. 281-303).



The purity of shapes and distinctive design of this **Ambient Line** series in combination with the exceptional sliding mechanism brings real comfort to your bathroom.



Ambient Line

purity of shapes

unbeatably quiet
rollers operation



■ AMD2

AMD2

sliding shower door for niche installation
or in combination with a side panel AMB

- standard door dimensions from 1 200 to 1 500 mm
- modern design with visible rollers
- the possibility to order any glass with „mirror effect“ finishing option - see next double page



8 mm ESG Tempered glass
Transparent



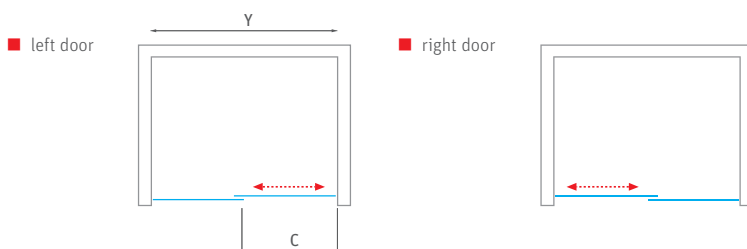
Profile colour
Brillant

AMD2 (sliding shower door)								
type	ordering No.	installation width (y)	height (h)	entrance width (c)	profile	glass	delivery method	Price
AMD2/1200	620-1200000-00-02	1100-1200	2000	410-510	brillant	transparent	S	515 €
AMD2/1300	620-1300000-00-02	1200-1300	2000	460-560	brillant	transparent	S	538 €
AMD2/1400	620-1400000-00-02	1300-1400	2000	510-610	brillant	transparent	S	561 €
AMD2/1500	620-1500000-00-02	1400-1500	2000	560-660	brillant	transparent	S	586 €



AMD2 (atypical customized solution)						
type	width (y)	height (h)	profile	glass	delivery method	Price
AMD2	up to 1800 mm	up to 2000 mm	brillant	transparent	Z	on request

■ AMD2 - universal LEFT and RIGHT solution



■ Stainless steel ball bearing rollers



Nominal sizes of shower enclosures are designed for INSTALLATION ON THE TRAY and they are always assembled with indentation from the edge of the tray. With INSTALLATION ON THE TILES there is a risk, that the size of shower enclosure will be smaller than measured width of the tiles. It is necessary to follow the size charts on "TECHNICAL SPECIFICATION" pages at the end of our catalogue (p. 281-303).

universal left and right solution



AMB

side panel for combination
with sliding door AMD2

- magnetic seal closure to ensure improved water tightness
- RothETC glass surface treatment for easy maintenance
- the possibility of „mirror effect“ option - see next double page



8 mm ESG Tempered glass
Transparent



Profile colour
Brillant

AMB (side panel for combination with sliding door AMD2)

type	ordering No.	installation width (y)	height (h)	entrance width (c)	profile	glass	delivery method	Price
AMB/800	621-8000000-00-02	780-790	2000	—	brillant	transparent	S	223 €
AMB/900	621-9000000-00-02	880-890	2000	—	brillant	transparent	S	253 €



AMB (atypical customized solution)

type	width (y)	height (h)	profile	glass	delivery method	Price
AMB	up to 1200 mm	up to 2000 mm	brillant	transparent	Z	on request



■ AMD2 + AMB



■ AMB + AMD2



■ AMB + AMD2 + AMB



Nominal sizes of shower enclosures are designed for **INSTALLATION ON THE TRAY** and they are always assembled with indentation from the edge of the tray. With **INSTALLATION ON THE TILES** there is a risk, that the size of shower enclosure will be smaller than measured width of the tiles. It is necessary to follow the size charts on "TECHNICAL SPECIFICATION" pages at the end of our catalogue (p. 281-303).

**In addition - practical
mirror right on the enclosure**

Mirror effect

Do you want to have a large mirror that really shows you from head to toe? Or would you like to optically enlarge the space of your bathroom? You can get both straight as part of your new shower.

When you order the shower enclosure, you can also order the mirror effect. Your selected glass will be coated by special layer allowing you to have a practical mirror in your bathroom.

The bathroom area will look more attractive, bigger and it will get another dimension. Mirror effect can be ordered on products from the ALINA, WALK IN LINE - WALK IN ATYP (p. 57) and from AMBIENT LINE - models AMD2 and AMB.



■ **WALK G** - offers a truly large mirror format

■ **AMD2** with both glass panes in „mirror effect“ finishing in combination with side panel **AMB**



Choose, where the mirror effect will be placed

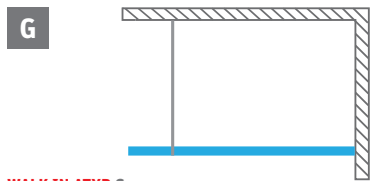
For the atypical WALK IN ATYP solution (p. 79) and the MIRROR EFFECT layer on the selected glass, contact your seller.

■ ALINA, WALK IN LINE AMBIENT LINE

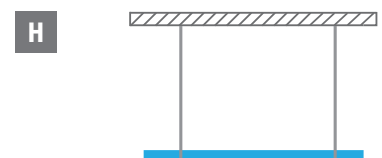
mirror effect

surcharge for 1 piece of glass selected according to the offer

MIRROR EFFECT	delivery method	PRICE
MIRROR EFFECT	glass size: 0 - 1500 mm	Z
		on request



WALK IN ATYP G



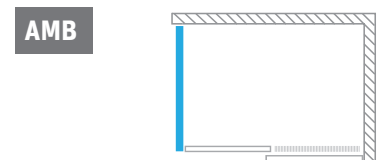
WALK IN ATYP H

XXX-XXXXXXX~~X~~-XX-XX



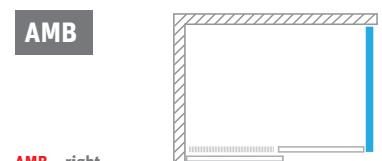
620-13000L-00-54

model AMD2 / 1300
 left / right L - Left
 profile colour 00 - Brillant
 glass type 54 - I. Transparent + II. Mirror



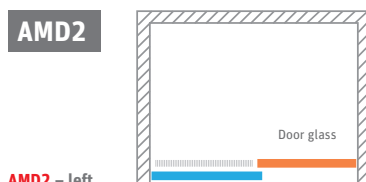
AMB - left

mirror effect	I.	Glass type ID	left/right ID
	●	51	L



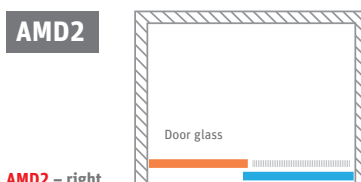
AMB - right

mirror effect	I.	Glass type ID	left/right ID
	●	51	P



AMD2 - left

	I.	II.	Glass type ID	left/right ID
mirror effect	●	●	52	L
	●	●	53	L
	●	●	54	L



AMD2 - right

	I.	II.	Glass type ID	left/right ID
mirror effect	●	●	52	P
	●	●	53	P
	●	●	54	P

Proxima Neo
success is guaranteed

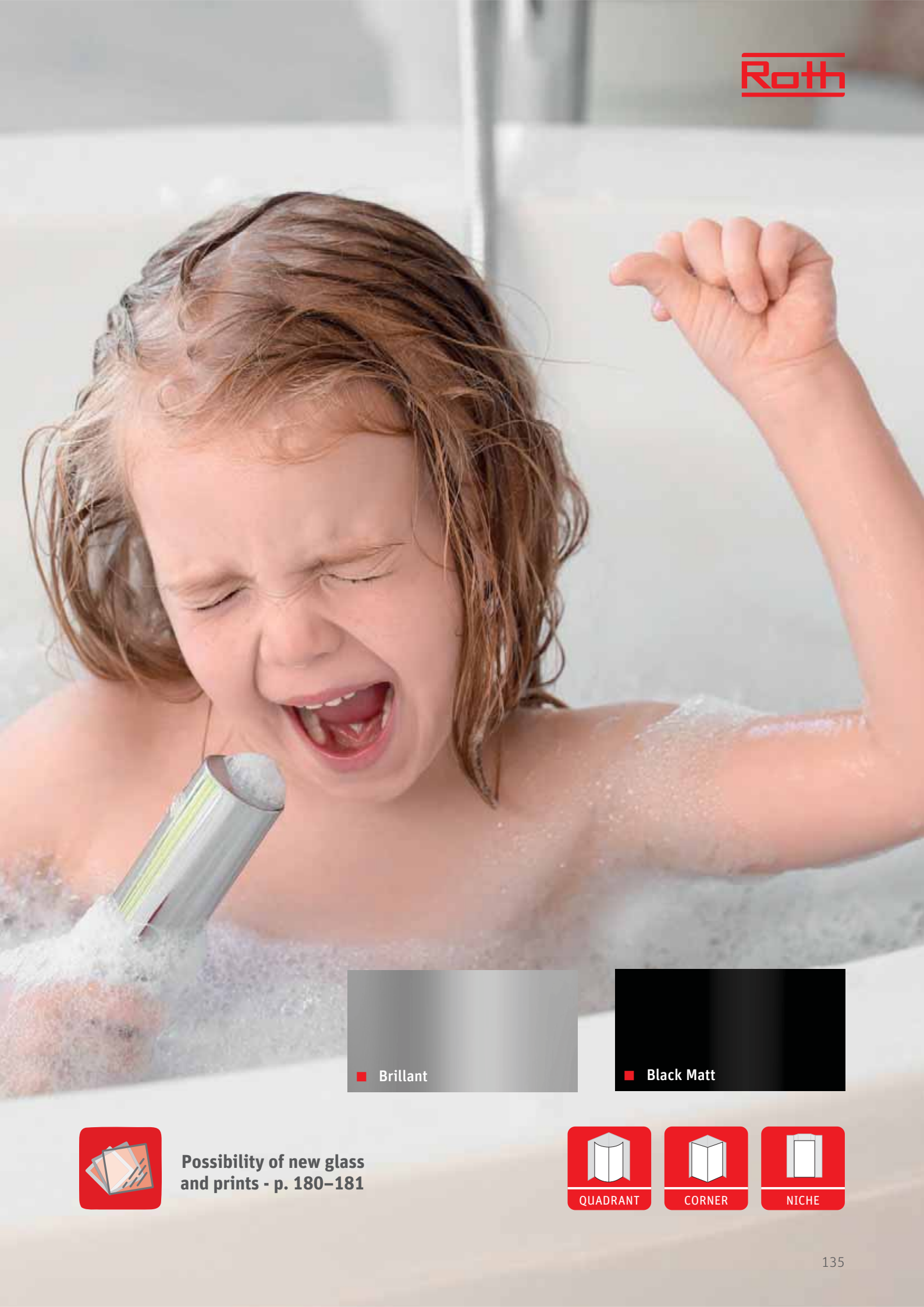
NEW

One of our best-selling framed series has received a new look, upgraded features, and a modern frame design.

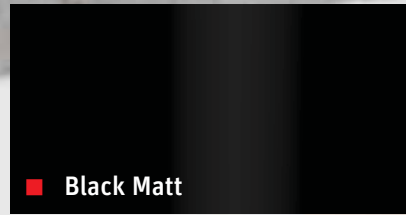
Proxima Neo

The modern appearance of the solid yet elegant profiles, upgraded pre-installed rollers, and the adjustable hinge for pivot doors, together with the 6 mm safety glass featuring RothETC protection against limescale build-up – all of these are compelling reasons to place your trust in products from this range, available in the popular standard height of 2 metres..

- **the new frame profile design ensures reliable stability and premium quality.**
- **long-lasting rollers with a bottom tilting mechanism for easier shower enclosure cleaning.**
- **pre-installed rollers and adjustable pivot door hinges ensure easy installation.**



■ Brillant



■ Black Matt



Possibility of new glass and prints - p. 180-181



QUADRANT



CORNER



NICHE

Proxima Neo

success is guaranteed

the new modern frame offers reliable stability

PX R55

quadrant shower enclosure with two sliding doors

- pre-installed rollers with an attractive design and a bottom tilting function



6 mm ESG Tempered glass
Transparent



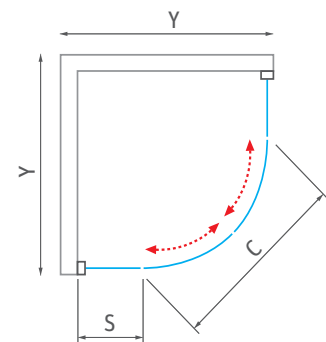
Profile colour
Brilliant / Black matt



- Attractive handle with Brilliant finish



PX R55 / Brilliant



PX R55 (quadrant shower enclosure with two sliding doors)

type	ordering No.	installation width (y)	height (h)	entrance size (c)	side part width (s)	profile	glass	delivery method	Price
PX R55 - Brilliant variants									
PX R55/800	PX R55 080200 VPE	765-790	2000	380 mm	215-240	brilliant	transparent	S	528 €
PX R55/900	PX R55 090200 VPE	865-890	2000	500 mm	315-340	brilliant	transparent	S	557 €
PX R55/1000	PX R55 100200 VPE	965-990	2000	500 mm	415-440	brilliant	transparent	S	586 €
PX R55 - Black Matt variants									
PX R55/800	PX R55 080200 NPE	765-790	2000	380 mm	215-240	black matt	transparent	S	528 €
PX R55/900	PX R55 090200 NPE	865-890	2000	500 mm	315-340	black matt	transparent	S	557 €
PX R55/1000	PX R55 100200 NPE	965-990	2000	500 mm	415-440	black matt	transparent	S	586 €

R - standard radius R550



Nominal sizes of shower enclosures are designed for INSTALLATION ON THE TRAY and they are always assembled with indentation from the edge of the tray. With INSTALLATION ON THE TILES there is a risk, that the size of shower enclosure will be smaller than measured width of the tiles. It is necessary to follow the size charts on "TECHNICAL SPECIFICATION" pages at the end of our catalogue (p. 281-303).



6 mm safety glass, **RothETC protection** against limescale build-up, and a standard height of 2 metres are already a given – but what if you also add a reliable modern frame, newly designed sliding and pivot door components, and an **excellent price-performance ratio?**



■ PX R55 / Black Matt

Proxima Neo

success is guaranteed

pre-mounted rollers
make installation easier

PX C2L + PX C2R

square or rectangular shower enclosure
with two sliding doors

6 mm ESG Tempered glass
Transparent



Profile colour
Brillant / Black matt



■ PX C2L + PX C2R / Brillant

bottom tilting for easy maintenance

- 6mm tempered safety glass
- RothETC glass protection against limescale deposits



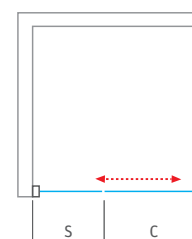
- Ball bearing rollers with long service life and bottom tilt function for easy maintenance



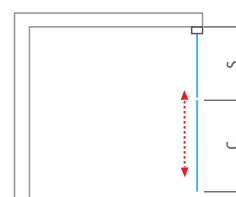
PX C2L, PX C2R (2-sectional sliding door - left / right side)

type	ordering No.	installation width (y)	height (h)	door width (c)	side part width (s)	profile	glass	delivery method	Price
PX C2L - left side / Brilliant variants									
PX C2L/800	PX C2L 080200 VPE	765-790	2000	320	330-355	brillant	transparent	S	268 €
PX C2L/900	PX C2L 090200 VPE	865-890	2000	370	380-405	brillant	transparent	S	297 €
PX C2L/1000	PX C2L 100200 VPE	965-990	2000	420	430-455	brillant	transparent	S	326 €
PX C2L/1100	PX C2L 110200 VPE	1065-1090	2000	470	480-505	brillant	transparent	S	340 €
PX C2L/1200	PX C2L 120200 VPE	1165-1190	2000	520	530-555	brillant	transparent	S	354 €
PX C2R - right side / Brilliant variants									
PX C2R/800	PX C2R 080200 VPE	765-790	2000	320	330-355	brillant	transparent	S	268 €
PX C2R/900	PX C2R 090200 VPE	865-890	2000	370	380-405	brillant	transparent	S	297 €
PX C2R/1000	PX C2R 100200 VPE	965-990	2000	420	430-455	brillant	transparent	S	326 €
PX C2R/1100	PX C2R 110200 VPE	1065-1090	2000	470	480-505	brillant	transparent	S	340 €
PX C2R/1200	PX C2R 120200 VPE	1165-1190	2000	520	530-555	brillant	transparent	S	354 €
PX C2L - left side / Black matt variants									
PX C2L/800	PX C2L 080200 NPE	765-790	2000	320	330-355	black matt	transparent	S	268 €
PX C2L/900	PX C2L 090200 NPE	865-890	2000	370	380-405	black matt	transparent	S	297 €
PX C2L/1000	PX C2L 100200 NPE	965-990	2000	420	430-455	black matt	transparent	S	326 €
PX C2L/1100	PX C2L 110200 NPE	1065-1090	2000	470	480-505	black matt	transparent	S	340 €
PX C2L/1200	PX C2L 120200 NPE	1165-1190	2000	520	530-555	black matt	transparent	S	354 €
PX C2R - right side / Black matt variants									
PX C2R/800	PX C2R 080200 NPE	765-790	2000	320	330-355	black matt	transparent	S	268 €
PX C2R/900	PX C2R 090200 NPE	865-890	2000	370	380-405	black matt	transparent	S	297 €
PX C2R/1000	PX C2R 100200 NPE	965-990	2000	420	430-455	black matt	transparent	S	326 €
PX C2R/1100	PX C2R 110200 NPE	1065-1090	2000	470	480-505	black matt	transparent	S	340 €
PX C2R/1200	PX C2R 120200 NPE	1165-1190	2000	520	530-555	black matt	transparent	S	354 €

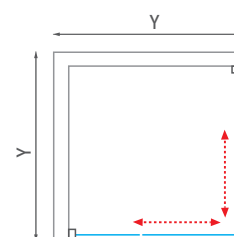
■ PX C2L



■ PX C2R



■ PX C2L + PX C2R



PX C2L, PX C2R (atypical customized solution)

type	width (y)	height (h)	profile	glass	delivery method	Price
PX C2L / PX C2R	do 1400 mm	do 2000 mm	brillant / black matt	transparent	Z	on request
PX C2L / PX C2R	do 1400 mm	do 2000 mm	brillant / black matt	satinato	Z	on request



Nominal sizes of shower enclosures are designed for INSTALLATION ON THE TRAY and they are always assembled with indentation from the edge of the tray. With INSTALLATION ON THE TILES there is a risk, that the size of shower enclosure will be smaller than measured width of the tiles. It is necessary to follow the size charts on "TECHNICAL SPECIFICATION" pages at the end of our catalogue (p. 281-303).

Proxima Neo

success is guaranteed



elegant and pure design



■ PX PIV / Black matt

PX PIV

single opening shower door for niche installation

- RothETC glass surface treatment for easy maintenance
- universal LEFT and RIGHT solution
- 6mm tempered safety glass



- Adjustable pivot door hinges ensure easy installation. Brilliant finish.



6 mm ESG tempered glass
Transparent

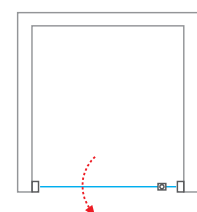
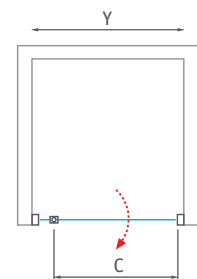


Profile colour
Brilliant / Black matt

PX PIV (single shower door)

type	ordering No.	installation width (y)	height (h)	entrance size (c)	profile	glass	delivery method	Price
PX PIV - Brilliant variants								
PX PIV/800	PX PIV 080200 VPE	764-811	2000	530	brilliant	transparent	S	385 €
PX PIV/900	PX PIV 090200 VPE	864-911	2000	630	brilliant	transparent	S	411 €
PX PIV/1000	PX PIV 100200 VPE	964-1011	2000	730	brilliant	transparent	S	438 €
PX PIV/1100	PX PIV 110200 VPE	1064-1111	2000	830	brilliant	transparent	S	464 €
PX PIV - Black matt variants								
PX PIV/800	PX PIV 080200 NPE	764-811	2000	530	black matt	transparent	S	385 €
PX PIV/900	PX PIV 090200 NPE	864-911	2000	630	black matt	transparent	S	411 €
PX PIV/1000	PX PIV 100200 NPE	964-1011	2000	730	black matt	transparent	S	438 €
PX PIV/1100	PX PIV 110200 NPE	1064-1111	2000	830	black matt	transparent	S	464 €

- PX PIV - universal LEFT and RIGHT solution



PX PIV (atypical customized solution)

type	width (y)	height (h)	profile	glass	delivery method	Price
PX PIV	do 1200 mm	do 2000 mm	brilliant / black matt	transparent	Z	on request
PX PIV	do 1200 mm	do 2000 mm	brilliant / black matt	satinato	Z	on request



Nominal sizes of shower enclosures are designed for INSTALLATION ON THE TRAY and they are always assembled with indentation from the edge of the tray. With INSTALLATION ON THE TILES there is a risk, that the size of shower enclosure will be smaller than measured width of the tiles. It is necessary to follow the size charts on "TECHNICAL SPECIFICATION" pages at the end of our catalogue (p. 281-303).

for combination to sliding door
or single opening door



PX FXP

side panel for combination with PX PIV or PX D2N door

- standard dimensions of side panel from 700 to 1000 mm
- an ideal combination with single opening door PX PIV or with sliding door PX D2N
- PX FXP cannot be used as a self-standing side panel



6 mm ESG Tempered glass
Transparent



Profile colour
Brillant / Black matt

PX FXP (side panel to PX PIV or PX D2N)

type	ordering No.	installation width (y)	height (h)	profile	glass	delivery method	Price
PX FXP - Brillant variants							
PX FXP/700	PX FXP 070200 VPE	653-700	2000	brillant	transparent	S	198 €
PX FXP/800	PX FXP 080200 VPE	753-800	2000	brillant	transparent	S	202 €
PX FXP/900	PX FXP 090200 VPE	853-900	2000	brillant	transparent	S	216 €
PX FXP/1000	PX FXP 100200 VPE	953-1000	2000	brillant	transparent	S	229 €
PX FXP - Black matt variants							
PX FXP/700	PX FXP 070200 NPE	653-700	2000	black matt	transparent	S	198 €
PX FXP/800	PX FXP 080200 NPE	753-800	2000	black matt	transparent	S	202 €
PX FXP/900	PX FXP 090200 NPE	853-900	2000	black matt	transparent	S	216 €
PX FXP/1000	PX FXP 100200 NPE	953-1000	2000	black matt	transparent	S	229 €



Nominal sizes of shower enclosures are designed for **INSTALLATION ON THE TRAY** and they are always assembled with indentation from the edge of the tray. With **INSTALLATION ON THE TILES** there is a risk, that the size of shower enclosure will be smaller than measured width of the tiles. It is necessary to follow the size charts on "TECHNICAL SPECIFICATION" pages at the end of our catalogue (p. 281-303).

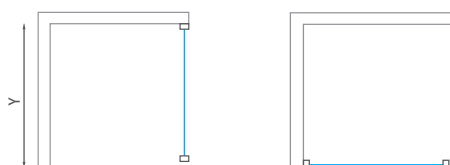
■ PX D2N + PX FXP / Black matt



PX FXP (atypical customized solution)

type	width (y)	height (h)	profile	glass	delivery method	Price
PX FXP	do 1200 mm	do 2000 mm	brillant / black matt	transparent	Z	on request
PX FXP	do 1200 mm	do 2000 mm	brillant / black matt	satinato	Z	on request

■ **PX FXP** - universal LEFT and RIGHT solution



Proxima Neo

success is guaranteed

pre-mounted rollers
make installation easier

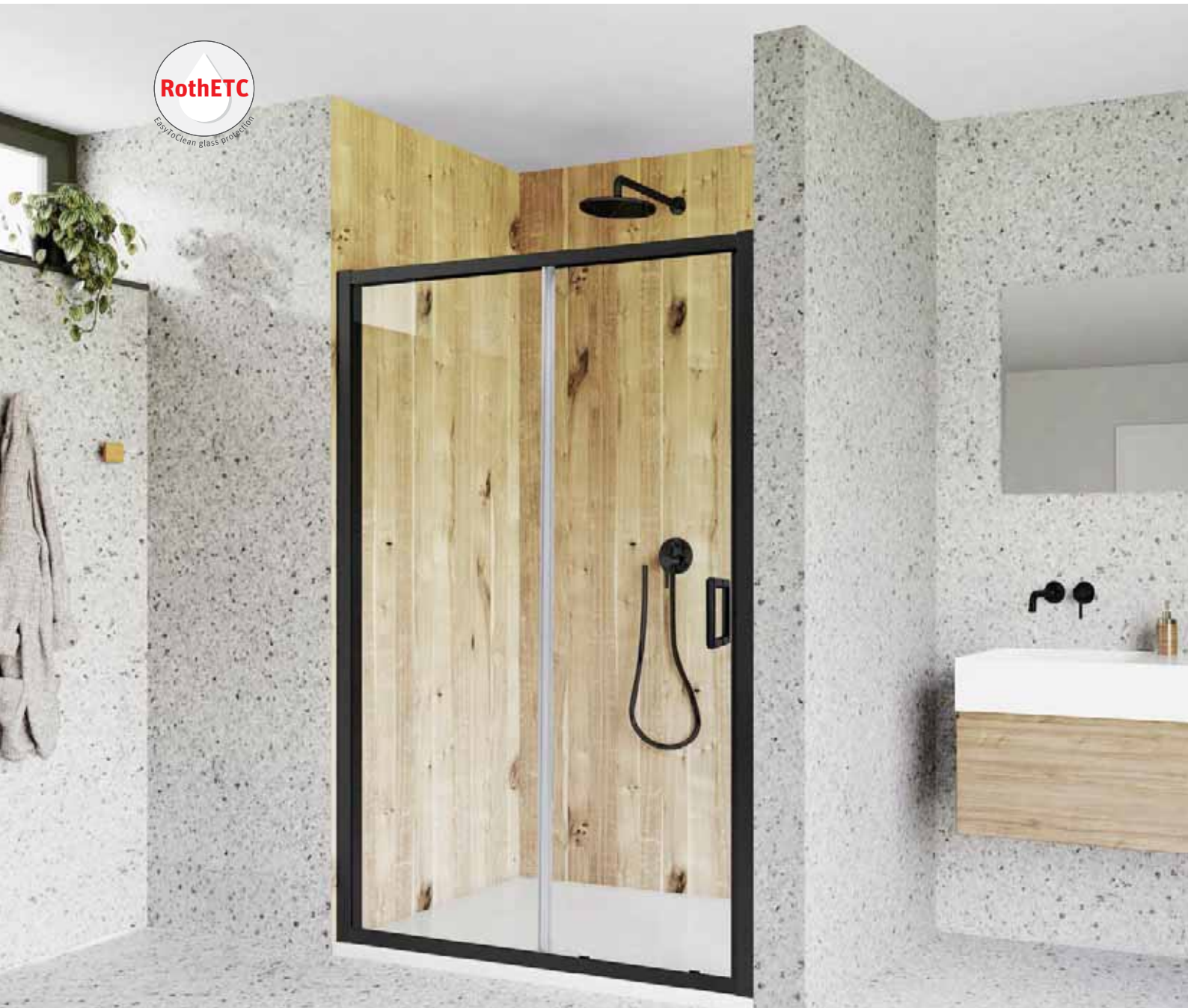
PX D2N

sliding shower door for niche installation
or for combination with side panel PX FXP

6 mm ESG Tempered glass
Transparent



Profile colour
Brilliant / Black matt



■ PX D2N / Black matt

easy maintenance with tilting of bottom rollers



- profile caps in the product variant colour
- standard height of 2 000 mm
- version with the OPPOSITE entry side – simply rotate the shower enclosure during installation and click the rollers into the correct position according to placement (top and bottom)



■ Ball bearing rollers with long service life and bottom tilt function for easy maintenance.



■ Door handle of the series in Black matt finish.

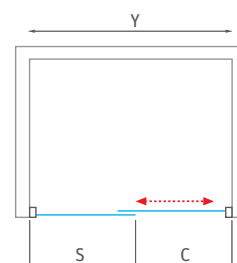


■ Open PX D2N + PX FXP / Brillant

PX D2N (sliding shower door)

type	ordering No.	installation width (y)	height (h)	entrance size (c)	side part width (s)	profile	glass	delivery method	Price
PX D2N - Brillant variants									
PX D2N/1200	PX D2N 120200 VPE	1160–1210	2000	490	535–550	brillant	transparent	S	363 €
PX D2N/1300	PX D2N 130200 VPE	1260–1310	2000	540	585–610	brillant	transparent	S	394 €
PX D2N/1400	PX D2N 140200 VPE	1360–1410	2000	590	635–650	brillant	transparent	S	425 €
PX D2N/1500	PX D2N 150200 VPE	1460–1510	2000	640	685–710	brillant	transparent	S	455 €
PX D2N/1600	PX D2N 160200 VPE	1560–1610	2000	690	735–750	brillant	transparent	S	486 €
PX D2N - Black matt variants									
PX D2N/1200	PX D2N 120200 NPE	1160–1210	2000	490	535–550	black matt	transparent	S	363 €
PX D2N/1300	PX D2N 130200 NPE	1260–1310	2000	540	585–610	black matt	transparent	S	394 €
PX D2N/1400	PX D2N 140200 NPE	1360–1410	2000	590	635–650	black matt	transparent	S	425 €
PX D2N/1500	PX D2N 150200 NPE	1460–1510	2000	640	685–710	black matt	transparent	S	455 €
PX D2N/1600	PX D2N 160200 NPE	1560–1610	2000	690	735–750	black matt	transparent	S	486 €

■ PX D2N - universal LEFT and RIGHT solution / left installation



■ PX D2N - right installation



PX D2N (atypical customized solution)

type	width (y)	height (h)	profile	glass	delivery method	Price
PX D2N	up to 1800 mm	up to 2000 mm	brillant / black matt	transparent	Z	on request
PX D2N	up to 1800 mm	up to 2000 mm	brillant / black matt	satinato	Z	on request

■ PX D2N + PX FXP



■ PX FXP + PX D2N



Nominal sizes of shower enclosures are designed for INSTALLATION ON THE TRAY and they are always assembled with indentation from the edge of the tray. With INSTALLATION ON THE TILES there is a risk, that the size of shower enclosure will be smaller than measured width of the tiles. It is necessary to follow the size charts on "TECHNICAL SPECIFICATION" pages at the end of our catalogue (p. 281–303).

Limaya
easy to be



QUADRANT



CORNER



NICHE

■ **Brillant**

The background of the entire page is a close-up photograph of water being showered onto a person's back. The water is captured in motion, creating a spray of droplets and a blurred effect. The skin is wet and glistening. The overall color palette is light and fresh, dominated by the white and grey tones of the water spray against the warm tones of the skin.

A completely new semi-framed line
with lifting mechanism
represents a new generation
of shower enclosures.

Limaya

just one door type for all combinations
of your shower area
square or rectangular shower enclosure
with double opening doors
square or rectangular shower enclosure
with single opening door and side panel
single opening shower door for niche installation

■ high quality lifting mechanism

■ easy entrance thanks to a both-
-way opening - in and out

■ standard height 1 950 mm

Limaya
easy to be

comfortable and convenient
space for entry

LYR4

quadrant shower enclosure
with a **double-door opening** quality lifting mechanism

- easy entrance thanks to a both-way opening - in and out
- standard height 1 950 mm



5 mm ESG Tempered glass
Transparent



Profile colour
Brillant



- Polished aluminium handle



- Profile with quality lifting mechanism for easy opening

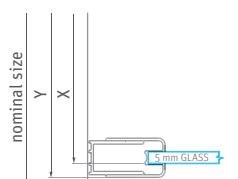
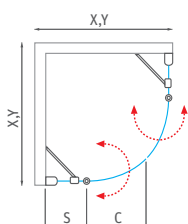


- Flexible support bar allows the setting of different angles and can solve the wall inaccuracies

LYR4 (quadrant shower enclosure with a double-door opening)

type	ordering No.	installation width (y)	height (h)	door width (c)	fixed part width (s)	profile	glass	delivery method	Price
LYR4/800	1135008265	767-792	1959*	395	243-268	brillant	transparent	S	551 €
LYR4/900	1135008267	867-892	1959*	395	343-368	brillant	transparent	S	579 €
LYR4/1000	1135008269	967-992	1959*	395	443-468	brillant	transparent	S	609 €

R - standard radius R550, h* - height including supporting elements



Nominal sizes of shower enclosures are designed for **INSTALLATION ON THE TRAY** and they are always assembled with indentation from the edge of the tray. With **INSTALLATION ON THE TILES** there is a risk, that the size of shower enclosure will be smaller than measured width of the tiles. It is necessary to follow the size charts on "TECHNICAL SPECIFICATION" pages at the end of our catalogue (p. 281-303).



The timeless design of the **Limaya** series is the right for your modern bathroom. Polished aluminum profiles lining the vertical line of the shower enclosure complete the overall feeling of freedom and determination.



Limaya

easy to be

maximum tightness
and pure design



■ LYP2

LYP2

double shower door
for installation to a niche

- standard door dimensions from 800 to 1 200 mm
- quality lifting mechanism
- both-way opening - in and out



5 mm ESG Tempered glass
Transparent



Profile colour
Brillant



LYP2 (double shower door for a niche)

type	ordering No.	installation width (y)	height (h)	door width (c)	profile	glass	delivery method	Price
LYP2/800	1135008220	760-810	1958*	320	brillant	transparent	S	419 €
LYP2/900	1135008222	860-910	1958*	375	brillant	transparent	S	444 €
LYP2/1000	1135008224	960-1010	1958*	425	brillant	transparent	S	469 €
LYP2/1100	1135009844	1060-1110	1958*	475	brillant	transparent	S	494 €
LYP2/1200	1135008226	1160-1210	1958*	525	brillant	transparent	S	519 €

h* - height including supporting elements

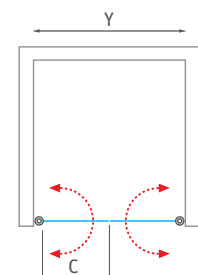
LYP2 (atypical customized solution)

type	width (y)	height (h)	profile	glass	delivery method	Price
LYP2	up to 1500 mm	up to 1950 mm	brillant	transparent	Z	on request



Nominal sizes of shower enclosures are designed for INSTALLATION ON THE TRAY and they are always assembled with indentation from the edge of the tray. With INSTALLATION ON THE TILES there is a risk, that the size of shower enclosure will be smaller than measured width of the tiles. It is necessary to follow the size charts on "TECHNICAL SPECIFICATION" pages at the end of our catalogue (p. 281-303).

■ LYP2



easy operating
both-sided opening doors



LYP2 + LYSW1AP2

square or rectangular shower enclosure
with a side panel LYSW1AP2

- easy to assembly wall profile
- the possibility of creating a U-shaped shower enclosure by a combination of the door and two side panels
- protection of glass against limescale by a special treatment RothETC



5 mm ESG Tempered glass
Transparent



Profile colour
Brillant



LYSW1AP2 (side panel to shower door LYP2)

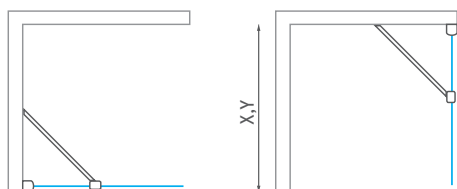
type	ordering No.	installation width (y)	height (h)	door width (c)	profile	glass	delivery method	Price
LYSW1AP2/750	1135009971	735-760	1970*	-	brillant	transparent	0	263 €
LYSW1AP2/800	1135009972	785-810	1970*	-	brillant	transparent	0	267 €
LYSW1AP2/900	1135009973	885-910	1970*	-	brillant	transparent	0	283 €
LYSW1AP2/1000	1135009974	985-1010	1970*	-	brillant	transparent	0	299 €

h* - height including supporting elements

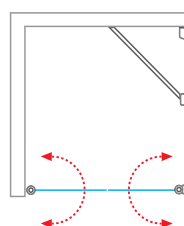
LYSW1AP2 (atypical customized solution)

type	width (y)	height (h)	profile	glass	delivery method	Price
LYSW1AP2	up to 1000 mm	up to 1950 mm	brillant	transparent	Z	on request

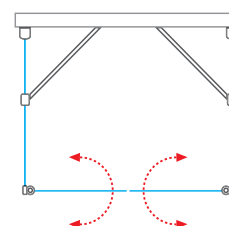
- LYSW1AP2 - universal LEFT and RIGHT solution support bar length 650 mm



- LYP2 + LYSW1AP2



- LYSW1AP2 + LYP2 + LYSW1AP2



Limaya
easy to be

LYE4

single opening door with a fixed part



5 mm ESG Tempered glass
Transparent



Profile colour
Brillant



■ Opening mechanism with effective seal



■ Lifting profile ensures easy door operation



■ Flexible support bar allows the setting of different angles and can solve the wall inaccuracies

LYE4 (single shower door)

type	ordering No.	installation width (y)	height (h)	door width (c)	fixed part width (s)	profile	glass	delivery method	Price
LYE4/800	1135008253	767-792	1959*	510	243-268	brillant	transparent	S	347 €
LYE4/900	1135008255	867-892	1959*	510	343-368	brillant	transparent	S	367 €
LYE4/1000	1135008257	967-992	1959*	510	443-468	brillant	transparent	S	388 €
LYE4/1100	1135009845	1067-1092	1959*	610	443-468	brillant	transparent	S	408 €
LYE4/1200	1135008259	1167-1192	1959*	710	443-468	brillant	transparent	S	428 €

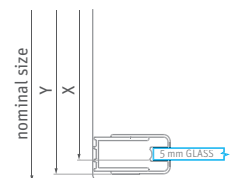
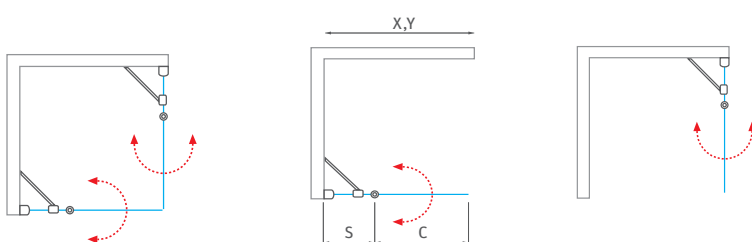
h* - height including supporting elements

LYE4 (atypical customized solution)

type	width (y)	height (h)	profile	glass	delivery method	Price
LYE4	up to 1200 mm	up to 1950 mm	brillant	transparent	Z	on request

■ LYE4 + LYE4

■ LYE4 - universal LEFT and RIGHT solution



Nominal sizes of shower enclosures are designed for **INSTALLATION ON THE TRAY** and they are always assembled with indentation from the edge of the tray. With **INSTALLATION ON THE TILES** there is a risk, that the size of shower enclosure will be smaller than measured width of the tiles. It is necessary to follow the size charts on "TECHNICAL SPECIFICATION" pages at the end of our catalogue (p. 281-303).



Attractive design with elements of elegance, this is the **Limaya** series of shower enclosures. Quality lifting system enabling both-way door opening.



■ LYE4 + LYE4

Limaya
easy to be

flexible support bar solves
wall inaccuracies



■ **LYE4 + LYSW1S**

LYE4 + LYSW1S

square or rectangular shower enclosure
with a single opening door and a side panel LYSW1S

- easy assembly wall profile
- flexible support bar allows the setting of different angles and can solve the wall inaccuracies
- quality seals for a great result



5 mm ESG Tempered glass
Transparent



Profile colour
Brillant



LYSW1S (side panel to shower door LYE4)

type	ordering No.	installation width (y)	height (h)	door width (c)	profile	glass	delivery method	Price
LYSW1S/800	1135008232	767-792	1949*	-	brillant	transparent	S	222 €
LYSW1S/900	1135008234	867-892	1949*	-	brillant	transparent	S	235 €
LYSW1S/1000	1135008236	967-992	1949*	-	brillant	transparent	S	247 €

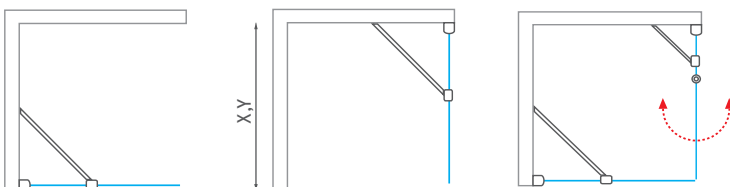
h* - height including supporting elements

LYSW1S (atypical customized solution)

type	width (y)	height (h)	profile	glass	delivery method	Price
LYSW1S	up to 1000 mm	up to 1950 mm	brillant	transparent	Z	on request

■ **LYSW1S** - universal LEFT and RIGHT solution

■ **LYSW1S+ LYE4**



Nominal sizes of shower enclosures are designed for **INSTALLATION ON THE TRAY** and they are always assembled with indentation from the edge of the tray. With **INSTALLATION ON THE TILES** there is a risk, that the size of shower enclosure will be smaller than measured width of the tiles. It is necessary to follow the size charts on "TECHNICAL SPECIFICATION" pages at the end of our catalogue (p. 281-303).

practical solution
for every bathroom



LYE4 + LZ

single opening door for niche installation

- quality aluminium profile for niche installation
- set of profiles increases the door installation width up by 10-25 mm
- we recommend consulting an expert



5 mm ESG Tempered glass
Transparent



Profile colour
Brillant



LZ (set of profiles)

type	ordering No.	installation width (y)	height (h)	door width (c)	profile	glass	delivery method	Price
LZ	229-1940025-00	25-35	1941	-	brillant	-	S	61 €

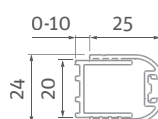
h* - height including supporting elements

LZ (atypical customized solution)

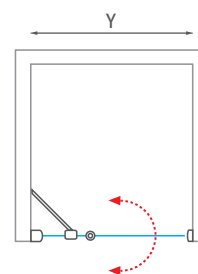
type	width (y)	height (h)	profile	glass	delivery method	Price
LZ	-	up to 1950 mm	brillant	-	Z	on request

installation for a niche	installation width (Y)
LYE4/800 + LZ	780-815
LYE4/900 + LZ	880-915
LYE4/1000 + LZ	980-1015
LYE4/1100 + LZ	1080-1115
LYE4/1200 + LZ	1180-1215

■ LZ- set of profiles



■ LYE4 + LZ



Nominal sizes of shower enclosures are designed for INSTALLATION ON THE TRAY and they are always assembled with indentation from the edge of the tray. With INSTALLATION ON THE TILES there is a risk, that the size of shower enclosure will be smaller than measured width of the tiles. It is necessary to follow the size charts on "TECHNICAL SPECIFICATION" pages at the end of our catalogue (p. 281-303).

Limaya
easy to be

simplicity
and variability

LYE2

single opening door

5 mm ESG Tempered glass
Transparent



Profile colour
Brillant



one type of door for all combinations

- corner entry with a double door opening
- single opening door with a side panel
- single opening door for a niche installation
- easy entrance thanks to a both-way opening - in and out
- standard height 1 950 mm



■ Quality lifting profile for easy opening



■ Tempered glass 5 mm with bottom seal



■ Slim door handle underlining the whole concept of this series

LYE2 (single shower door)

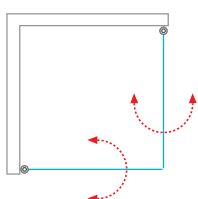
type	ordering No.	installation width (y)	height (h)	door width (c)	profile	glass	delivery method	Price
LYE2/800	1135008242	767-792	1958*	690	brillant	transparent	S	274 €
LYE2/900	1135008244	867-892	1958*	790	brillant	transparent	S	283 €
LYE2/1000	1135008246	967-992	1958*	890	brillant	transparent	S	290 €

h* - height including supporting elements

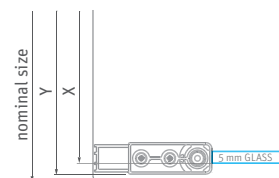
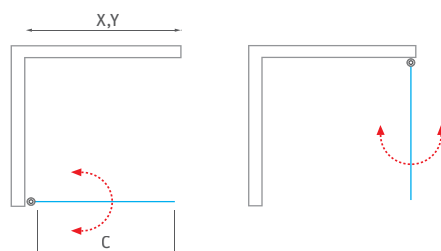
LYE2 (atypical customized solution)

type	width (y)	height (h)	profile	glass	delivery method	Price
LYE2	up to 1000 mm	up to 1950 mm	brillant	transparent	Z	on request

■ LYE2 + LYE2



■ LYE2 - universal LEFT and RIGHT solution



! Nominal sizes of shower enclosures are designed for **INSTALLATION ON THE TRAY** and they are always assembled with indentation from the edge of the tray. With **INSTALLATION ON THE TILES** there is a risk, that the size of shower enclosure will be smaller than measured width of the tiles. It is necessary to follow the size charts on "TECHNICAL SPECIFICATION" pages at the end of our catalogue (p. 281-303).

Limaya
easy to be

pure design line
without compromise



■ **LYE2 + LYSW1S**

LYE2 + LYSW1S

square or rectangular shower enclosure
with a single opening door and a side panel LYSW1S

- easy assembly wall profile
- single opening door with a side panel
- simplicity of the whole assembly



5 mm ESG Tempered glass
Transparent



Profile colour
Brillant



LYSW1S (side panel to shower door LYE2)

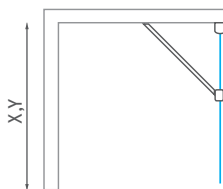
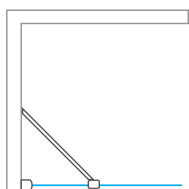
type	ordering No.	installation width (y)	height (h)	door width (c)	profile	glass	delivery method	Price
LYSW1S/800	1135008232	767-792	1949*	-	brillant	transparent	S	222 €
LYSW1S/900	1135008234	867-892	1949*	-	brillant	transparent	S	235 €
LYSW1S/1000	1135008236	967-992	1949*	-	brillant	transparent	S	247 €

h* - height including supporting elements

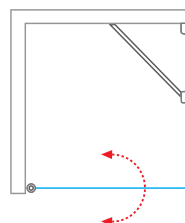
LYSW1S (atypical customized solution)

type	width (y)	height (h)	profile	glass	delivery method	Price
LYSW1S	up to 1000 mm	up to 1950 mm	brillant	transparent	Z	on request

■ **LYSW1S** - universal LEFT and RIGHT solution



■ **LYE2 + LYSW1S**



Nominal sizes of shower enclosures are designed for **INSTALLATION ON THE TRAY** and they are always assembled with indentation from the edge of the tray. With **INSTALLATION ON THE TILES** there is a risk, that the size of shower enclosure will be smaller than measured width of the tiles. It is necessary to follow the size charts on "TECHNICAL SPECIFICATION" pages at the end of our catalogue (p. 281-303).

practical solution of the wall inaccuracies



LYE2 + LZ

single opening door for niche installation

- set of profiles can solve the wall inaccuracies
- we recommend consulting an expert
- set of profiles increases the door installation width up by 10-25 mm



5 mm ESG Tempered glass
Transparent



Profile colour
Brillant



LZ (set of profiles)

type	ordering No.	installation width (y)	height (h)	door width (c)	profile	glass	delivery method	Price
LZ	229-1940025-00	25-35	1941	-	brillant	-	S	61 €

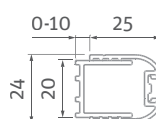
h* - height including supporting elements

LZ (atypical customized solution)

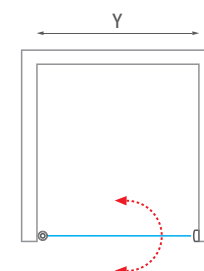
type	width (y)	height (h)	profile	glass	delivery method	Price
LZ	-	up to 1950 mm	brillant	-	Z	on request

installation for niche	installation width (Y)
LYE2/800 + LZ	780-815
LYE2/900 + LZ	880-915
LYE2/1000 + LZ	980-1015

■ LZ- set of profiles



■ LYE2 + LZ



Nominal sizes of shower enclosures are designed for INSTALLATION ON THE TRAY and they are always assembled with indentation from the edge of the tray. With INSTALLATION ON THE TILES there is a risk, that the size of shower enclosure will be smaller than measured width of the tiles. It is necessary to follow the size charts on "TECHNICAL SPECIFICATION" pages at the end of our catalogue (p. 281-303).

Lega Line
comfort within reach

Lega Line

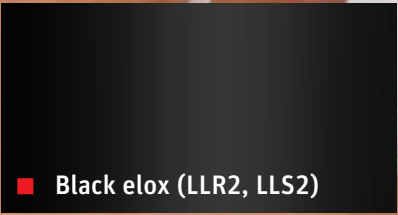
Affordable solution for those, who prefer price-performance ratio in their lives...

New generation of enclosures practically combining 4 and 5 mm safety glass with focus on customer comfort during the usage. This complete line offers a practical solution for the standard models as well as large area showers which are more and more popular. Simplicity, durability and excellent price-performance ratio determines this line to become a new star in your bathroom.

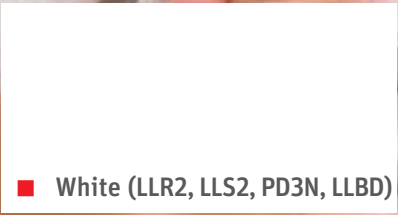
- universal pivot mechanism allows inside and outside opening
- durable double rollers on the top assure smooth motion of the door
- the design handle matches the appearance of the fittings



■ Brillant



■ Black elox (LLR2, LLS2)



■ White (LLR2, LLS2, PD3N, LLBD)



QUADRANT



CORNER



NICHE

Lega Line

comfort within reach

safety glass
in solid frame

LLR2

quadrant shower enclosure
with two sliding doors

5 + 4 mm ESG Tempered glass
Transparent / Grape
5 mm door glass + 4 mm fixed glass



Profile colour
Brillant / White / Black elox



■ LLR2 - Black elox

possibility to order a pre-assembled version for easy installation



- combination of 4 and 5 mm safety glass with RothETC surface treatment
- standard height of 1900 mm
- 3 profile colours to choose from



■ The best-selling **LLR2** model now also in a **white profile** and with the popular **Grape glass**.

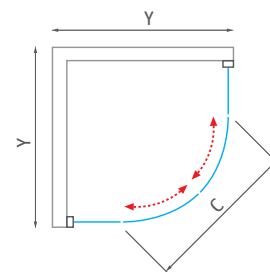
■ Durable double top and bottom rollers.

■ LEGA series handles in colour designs.

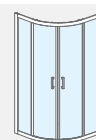
LLR2 (quadrant shower enclosure with two sliding doors)

type	ordering No.	installation width (y)	height (h)	entrance size (c)	profile	glass	delivery method	Price
LLR2/800	555-8000000-04-02	776-798	1900	410	white	transparent	S	365 €
LLR2/800	555-8000000-04-11	776-798	1900	410	white	grape	S	377 €
LLR2/800	555-8000000-00-02	776-798	1900	410	brillant	transparent	S	369 €
LLR2/800	555-8000000-00-11	776-798	1900	410	brillant	grape	S	375 €
LLR2/800	555-8000000-05-02	776-798	1900	410	black elox	transparent	S	369 €
LLR2/900	555-9000000-04-02	876-898	1900	560	white	transparent	S	371 €
LLR2/900	555-9000000-04-11	876-898	1900	560	white	grape	S	390 €
LLR2/900	555-9000000-00-02	876-898	1900	560	brillant	transparent	S	386 €
LLR2/900	555-9000000-00-11	876-898	1900	560	brillant	grape	S	394 €
LLR2/900	555-9000000-05-02	876-898	1900	560	black elox	transparent	S	386 €
LLR2 in EASY ASSEMBLY version								
LLR2/800 *	555-8000005-04-02	776-798	1900	410	white	transparent	S	398 €
LLR2/800 *	555-8000005-04-11	776-798	1900	410	white	grape	S	410 €
LLR2/800 *	555-8000005-00-02	776-798	1900	410	brillant	transparent	S	402 €
LLR2/800 *	555-8000005-00-11	776-798	1900	410	brillant	grape	S	408 €
LLR2/900 *	555-9000005-04-02	876-898	1900	560	white	transparent	S	404 €
LLR2/900 *	555-9000005-04-11	876-898	1900	560	white	grape	S	422 €
LLR2/900 *	555-9000005-00-02	876-898	1900	560	brillant	transparent	S	418 €
LLR2/900 *	555-9000005-00-11	876-898	1900	560	brillant	grape	S	426 €

R - standard radius R550



Nominal sizes of shower enclosures are designed for **INSTALLATION ON THE TRAY** and they are always assembled with indentation from the edge of the tray. With **INSTALLATION ON THE TILES** there is a risk, that the size of shower enclosure will be smaller than measured width of the tiles. It is necessary to follow the size charts on "TECHNICAL SPECIFICATION" pages at the end of our catalogue (p. 281-303).



EASY ASSEMBLY *

Product comes in a pre-assembled version. Just joint the left and right parts, screw to the wall, adjust and seal.

Lega Line

comfort within reach

LLS2

square or rectangular shower enclosure solution with practical corner entry



5 + 4 mm ESG Tempered glass
Transparent / Intinglass
 5 mm door glass + 4 mm fixed glass



Profile colour
Brillant / Black elox



■ Durable double top and bottom rollers for smooth door movement and bottom tilt function for easy maintenance

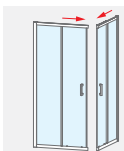
■ LEGA series handles design

LLS2 (shower enclosure with two sliding doors)

type	ordering No.	installation width (y)	height (h)	entrance size (c)	profile	glass	delivery method	Price
LLS2/800 *	554-8000000-00-02	775-790	1900	430	brillant	transparent	S	337 €
LLS2/800 *	554-8000000-00-21	775-790	1900	430	brillant	intinglass	O	459 €
LLS2/800 *	554-8000000-05-02	775-790	1900	430	black elox	transparent	S	337 €
LLS2/900 *	554-9000000-00-02	875-890	1900	460	brillant	transparent	S	353 €
LLS2/900 *	554-9000000-00-21	875-890	1900	460	brillant	intinglass	O	475 €
LLS2/900 *	554-9000000-05-02	875-890	1900	460	black elox	transparent	S	353 €
LLS2/1000×800	554-1008000-00-02	(975-990)×(775-790)	1900	505	brillant	transparent	S	369 €
LLS2/1000×800	554-1008000-00-21	(975-990)×(775-790)	1900	505	brillant	intinglass	O	492 €
LLS2/1200×800	554-1208000-00-02	(1175-1190)×(775-790)	1900	525	brillant	transparent	O	386 €
LLS2/1200×800	554-1208000-00-21	(1175-1190)×(775-790)	1900	525	brillant	intinglass	O	508 €
LLS2/1200×900	554-1209000-00-02	(1175-1190)×(875-890)	1900	535	brillant	transparent	S	404 €
LLS2/1200×900	554-1209000-00-21	(1175-1190)×(875-890)	1900	535	brillant	intinglass	O	526 €

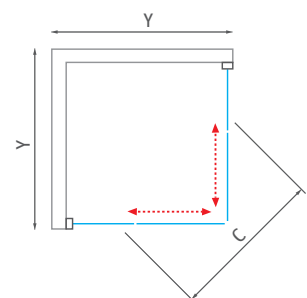
LLS2 (atypical customized solution)

type	width (y)	height (h)	profile	glass	delivery method	Price
LLS2	up to 1200 mm	up to 1900 mm	brillant / black elox	transparent	Z	on request
LLS2	up to 1200 mm	up to 1900 mm	brillant / black elox	intinglass	Z	on request



EASY ASSEMBLY *

Product comes in a pre-assembled version. Just joint the left and right parts, screw to the wall, adjust and seal.





With special attention paid to the balance between the look and functionality of every detail, the **Lega Line** is ready to take its place in any modern bathroom.



■ LLS2 - Black elox

Lega Line

comfort within reach

RothETC glass
surface treatment



■ LLD01 - Intinglass

LLD01

single opening shower door for niche installation
or for combination with side panel LLB



5 mm ESG Tempered glass
Transparent / Intinglass



Profile colour
Brillant



LLD01 (single shower door)

type	ordering No.	installation width (y)	height (h)	entrance size (c)	profile	glass	delivery method	Price
LLD01/700 *	551-7000000-00-02	675-705	1900	460	brillant	transparent	S	197 €
LLD01/700 *	551-7000000-00-21	675-705	1900	460	brillant	intinglass	O	243 €
LLD01/800 *	551-8000000-00-02	775-805	1900	560	brillant	transparent	S	220 €
LLD01/800 *	551-8000000-00-21	775-805	1900	560	brillant	intinglass	O	265 €
LLD01/900 *	551-9000000-00-02	875-905	1900	660	brillant	transparent	S	243 €
LLD01/900 *	551-9000000-00-21	875-905	1900	660	brillant	intinglass	O	288 €
LLD01/1000 *	551-1000000-00-02	975-1005	1900	760	brillant	transparent	S	265 €
LLD01/1000 *	551-1000000-00-21	975-1005	1900	760	brillant	intinglass	O	311 €

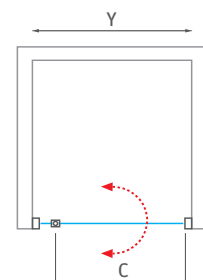
LLD01 (atypical customized solution)

type	width (y)	height (h)	profile	glass	delivery method	Price
LLD01	up to 1000 mm	up to 1900 mm	brillant	transparent	Z	on request
LLD01	up to 1000 mm	up to 1900 mm	brillant	intinglass	Z	on request



EASY ASSEMBLY *

Products LLD01 and LLD2 come in a pre-assembled version. Just screw to the wall, adjust and seal.



universal pivot mechanism for opening inside and outside



LLD02

double shower door for niche installation
or for combination with side panel LLB



5 mm ESG Tempered glass
Transparent / Intimglass



Profile colour
Brillant

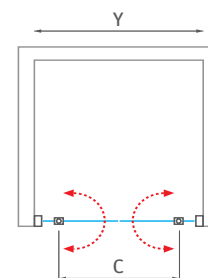


LLD02 (double shower door for a niche)

type	ordering No.	installation width (y)	height (h)	door width (c)	profile	glass	delivery method	Price
LLD02/700 *	552-7000000-00-02	672-704	1900	475	brillant	transparent	S	272 €
LLD02/700 *	552-7000000-00-21	672-704	1900	475	brillant	intimglass	O	308 €
LLD02/800 *	552-8000000-00-02	772-804	1900	575	brillant	transparent	S	286 €
LLD02/800 *	552-8000000-00-21	772-804	1900	575	brillant	intimglass	O	322 €
LLD02/900 *	552-9000000-00-02	872-904	1900	675	brillant	transparent	S	299 €
LLD02/900 *	552-9000000-00-21	872-904	1900	675	brillant	intimglass	O	335 €
LLD02/1000 *	552-1000000-00-02	972-1004	1900	775	brillant	transparent	O	313 €
LLD02/1000 *	552-1000000-00-21	972-1004	1900	775	brillant	intimglass	O	349 €

LLD02 (atypical customized solution)

type	width (y)	height (h)	profile	glass	delivery method	Price
LLD02	up to 1200 mm	up to 1900 mm	brillant	transparent	Z	on request
LLD02	up to 1200 mm	up to 1900 mm	brillant	intimglass	Z	on request



Nominal sizes of shower enclosures are designed for INSTALLATION ON THE TRAY and they are always assembled with indentation from the edge of the tray. With INSTALLATION ON THE TILES there is a risk, that the size of shower enclosure will be smaller than measured width of the tiles. It is necessary to follow the size charts on "TECHNICAL SPECIFICATION" pages at the end of our catalogue (p. 281-303).

Lega Line

comfort within reach

timeless solution
with a decent look



LLB

fixed side panel for combination with shower door
LLD01, LLD02, LLD2 and LLD4

- Brillant aluminium profile
- 5-year extended warranty
- tempered safety glass



4 mm ESG Tempered glass
Transparent / Intimglass



Profile colour
Brillant

LLB (side panel to LLD01, LLD02, LLD2 or LLD4)

type	ordering No.	installation width (y)	height (h)	profile	glass	delivery method	Price
LLB/700 *	553-7000000-00-02	679-705	1900	brillant	transparent	S	131 €
LLB/700 *	553-7000000-00-21	679-705	1900	brillant	intimglass	O	168 €
LLB/750 *	553-7500000-00-02	729-755	1900	brillant	transparent	S	141 €
LLB/750 *	553-7500000-00-21	729-755	1900	brillant	intimglass	O	177 €
LLB/800 *	553-8000000-00-02	779-805	1900	brillant	transparent	S	154 €
LLB/800 *	553-8000000-00-21	779-805	1900	brillant	intimglass	O	190 €
LLB/900 *	553-9000000-00-02	879-905	1900	brillant	transparent	S	168 €
LLB/900 *	553-9000000-00-21	879-905	1900	brillant	intimglass	O	204 €
LLB/1000 *	553-1000000-00-02	979-1005	1900	brillant	transparent	S	181 €
LLB/1000 *	553-1000000-00-21	979-1005	1900	brillant	intimglass	O	240 €

* LLB cannot be used as a self-standing side panel

LLB (atypical customized solution)

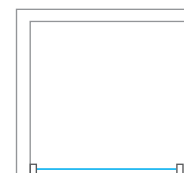
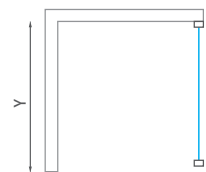
type	width (y)	height (h)	profile	glass	delivery method	Price
LLB	up to 1000 mm	up to 1900 mm	brillant	transparent	Z	on request
LLB	up to 1000 mm	up to 1900 mm	brillant	intimglass	Z	on request



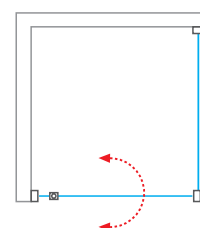
EASY ASSEMBLY *

Products of Lega Line come in a pre-assembled version. Just screw to the wall, adjust and seal.

■ LLB - universal LEFT and RIGHT solution

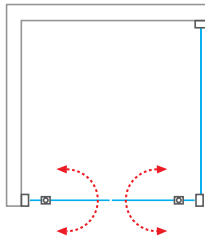


■ LLD01 + LLB



combinations of doors
with a side panel LLB

■ LLD02 + LLB



■ LLD2 + LLB



■ LLD4 + LLB



Lega Line

comfort within reach

durable rollers
with bottom tilt function



■ LLD2 - Intimglass

LLD2

sliding shower door for niche installation
or for combination with a side panel LLB

- RothETC glass surface treatment for easy maintenance
- double rollers
- 5-year extended warranty
- possibility of choosing the glass in Intimglass design



5 + 4 mm ESG Tempered glass
Transparent / Intimglass
5 mm door glass + 4 mm fixed panel



Profile colour
Brillant

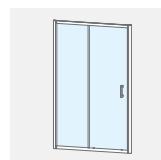
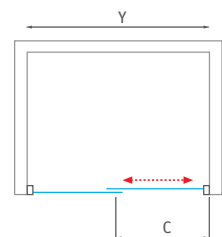
LLD2 (sliding shower door)

type	ordering No.	installation width (y)	height (h)	entrance size (c)	profile	glass	delivery method	Price
LLD2/1000 *	556-1000000-00-02	970-1005	1900	385	brillant	transparent	S	267 €
LLD2/1000 *	556-1000000-00-21	970-1005	1900	385	brillant	intimglass	O	354 €
LLD2/1200 *	556-1200000-00-02	1170-1205	1900	485	brillant	transparent	S	299 €
LLD2/1200 *	556-1200000-00-21	1170-1205	1900	485	brillant	intimglass	O	385 €
LLD2/1300 *	556-1300000-00-02	1270-1305	1900	535	brillant	transparent	S	292 €
LLD2/1400 *	556-1400000-00-02	1370-1405	1900	585	brillant	transparent	S	308 €
LLD2/1400 *	556-1400000-00-21	1370-1405	1900	585	brillant	intimglass	O	394 €
LLD2/1500 *	556-1500000-00-02	1470-1505	1900	635	brillant	transparent	O	324 €
LLD2/1600 *	556-1600000-00-02	1570-1605	1900	685	brillant	transparent	S	340 €
LLD2/1600 *	556-1600000-00-21	1570-1605	1900	685	brillant	intimglass	O	426 €

LLD2 (atypical customized solution)

type	width (y)	height (h)	profile	glass	delivery method	Price
LLD2	up to 1800 mm	up to 1900 mm	brillant	transparent	Z	on request
LLD2	up to 1800 mm	up to 1900 mm	brillant	intimglass	Z	on request

- LLD2 universal LEFT and RIGHT solution



EASY ASSEMBLY *

Product LLD2 comes in a pre-assembled version. Just screw to the wall, adjust and seal.

practical solution for large format showers



LLD4

sliding shower door for niche installation
or for combination with a side panel LLB

- four-part shower door
- RothETC glass surface treatment
- great price-performance ratio
- Intinglass design available in atypical solution only



5 + 4 mm ESG Tempered glass
Transparent
5 mm door glass + 4 mm fixed panel



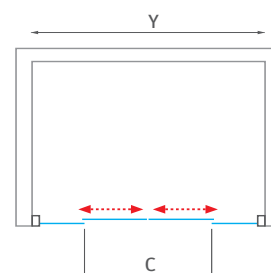
Profile colour
Brillant

LLD4 (four-part sliding shower door)

type	ordering No.	installation width (y)	height (h)	entrance size (c)	profile	glass	delivery method	Price
LLD4/1100	574-1100000-00-02	1080-1110	1900	420	brillant	transparent	S	363 €
LLD4/1200	574-1200000-00-02	1180-1210	1900	470	brillant	transparent	S	383 €
LLD4/1300	574-1300000-00-02	1280-1310	1900	520	brillant	transparent	S	403 €
LLD4/1400	574-1400000-00-02	1380-1410	1900	570	brillant	transparent	S	424 €
LLD4/1500	574-1500000-00-02	1480-1510	1900	620	brillant	transparent	S	444 €
LLD4/1600	574-1600000-00-02	1580-1610	1900	670	brillant	transparent	S	465 €

LLD4 (atypical customized solution)

type	width (y)	height (h)	profile	glass	delivery method	Price
LLD4	up to 2000 mm	up to 1900 mm	brillant	transparent	Z	on request
LLD4	up to 2000 mm	up to 1900 mm	brillant	intinglass	Z	on request



Nominal sizes of shower enclosures are designed for INSTALLATION ON THE TRAY and they are always assembled with indentation from the edge of the tray. With INSTALLATION ON THE TILES there is a risk, that the size of shower enclosure will be smaller than measured width of the tiles. It is necessary to follow the size charts on "TECHNICAL SPECIFICATION" pages at the end of our catalogue (p. 281-303).

Lega Line

comfort within reach

both-side sliding
door entrance

PD3N

sliding shower door with both side entrance
for niche installation

4 mm ESG Tempered glass
Transparent / Grape
Polystyrol **Rugiada**



Profile colour
Brillant / White



■ PD3N

EASY ASSEMBLY version for quick moutnage

- magnetic seals closure in the same colour as the profiles
- standard height 1900 mm
- robust aluminium frame



EASY ASSEMBLY

Product PD3N comes in a pre-assembled version. Just screw to the wall, adjust and seal.

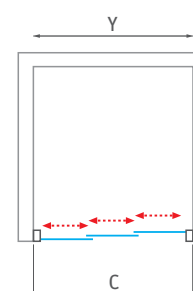


- Bottom tilting for easy maintenance of the shower door

- Both-side sliding door opening

PD3N (sliding shower door with a both-sided entrance)

type	ordering No.	installation width (y)	height (h)	entrance size (c)	profile	glass	delivery method	Price
PD3N/800	413-8000000-04-02	750-805	1900	375	white	transparent	S	308 €
PD3N/800	413-8000000-04-11	750-805	1900	375	white	grape	S	341 €
PD3N/800	413-8000000-04-16	750-805	1900	375	white	rugiada	S	306 €
PD3N/800	413-8000000-00-02	750-805	1900	375	brillant	transparent	S	347 €
PD3N/800	413-8000000-00-11	750-805	1900	375	brillant	grape	S	355 €
PD3N/900	413-9000000-04-02	850-905	1900	440	white	transparent	S	326 €
PD3N/900	413-9000000-04-11	850-905	1900	440	white	grape	S	347 €
PD3N/900	413-9000000-04-16	850-905	1900	440	white	rugiada	S	328 €
PD3N/900	413-9000000-00-02	850-905	1900	440	brillant	transparent	S	353 €
PD3N/900	413-9000000-00-11	850-905	1900	440	brillant	grape	S	367 €
PD3N/1000	413-1000000-04-02	950-1005	1900	505	white	transparent	S	345 €
PD3N/1000	413-1000000-04-11	950-1005	1900	505	white	grape	S	353 €
PD3N/1000	413-1000000-04-16	950-1005	1900	505	white	rugiada	S	351 €
PD3N/1000	413-1000000-00-02	950-1005	1900	505	brillant	transparent	S	359 €
PD3N/1000	413-1000000-00-11	950-1005	1900	505	brillant	grape	S	379 €



PD3N (atypical customized solution)

type	width (y)	height (h)	profile	glass	delivery method	Price
PD3N	up to 1200 mm	up to 2000 mm	white / brillant	transparent	Z	on request
PD3N	up to 1200 mm	up to 2000 mm	white / brillant	grape	Z	on request
PD3N	up to 1200 mm	up to 2000 mm	white	rugiada	Z	on request
PD3N	up to 1200 mm	up to 2000 mm	white / brillant	rauch	Z	on request
PD3N	up to 1200 mm	up to 2000 mm	white / brillant	satinato	Z	on request



Nominal sizes of shower enclosures are designed for **INSTALLATION ON THE TRAY** and they are always assembled with indentation from the edge of the tray. With **INSTALLATION ON THE TILES** there is a risk, that the size of shower enclosure will be smaller than measured width of the tiles. It is necessary to follow the size charts on "TECHNICAL SPECIFICATION" pages at the end of our catalogue (p. 281-303).

Lega Line

comfort within reach

wide choice
of glass panels

LLBD

side panel
to sliding shower door PD3N

4 mm ESG Tempered glass
Transparent / Grape



Profile colour
Brillant / White



universal left and right solution

- standard dimensions of side panel from 700 to 1 000 mm
- universal left and right solution
- wide choice of glass panel types

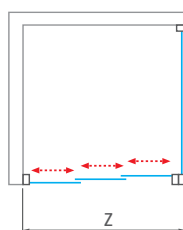
LLBD (side panel to PD3N)							
type	ordering No.	installation width (y)	height (h)	profile	glass	delivery method	Price
LLBD/700	412-7000000-04-02	675-695	1900	white	transparent	S	120 €
LLBD/700	412-7000000-04-11	675-690	1900	white	grape	S	150 €
LLBD/700	412-7000000-00-02	675-695	1900	brillant	transparent	S	127 €
LLBD/700	412-7000000-00-11	675-690	1900	brillant	grape	S	154 €
LLBD/750	412-7500000-04-02	725-745	1900	white	transparent	S	154 €
LLBD/750	412-7500000-04-11	725-745	1900	white	grape	S	170 €
LLBD/750	412-7500000-00-02	725-745	1900	brillant	transparent	S	150 €
LLBD/750	412-7500000-00-11	725-745	1900	brillant	grape	S	175 €
LLBD/800	412-8000000-04-02	775-795	1900	white	transparent	S	149 €
LLBD/800	412-8000000-04-11	775-795	1900	white	grape	S	175 €
LLBD/800	412-8000000-00-02	775-795	1900	brillant	transparent	S	155 €
LLBD/800	412-8000000-00-11	775-795	1900	brillant	grape	S	180 €
LLBD/900	412-9000000-04-02	875-895	1900	white	transparent	S	169 €
LLBD/900	412-9000000-04-11	875-895	1900	white	grape	S	196 €
LLBD/900	412-9000000-00-02	875-895	1900	brillant	transparent	S	175 €
LLBD/900	412-9000000-00-11	875-895	1900	brillant	grape	S	200 €
LLBD/1000	412-1000000-04-02	975-995	1900	white	transparent	S	216 €
LLBD/1000	412-1000000-04-11	975-995	1900	white	grape	S	214 €
LLBD/1000	412-1000000-00-02	975-995	1900	brillant	transparent	S	196 €
LLBD/1000	412-1000000-00-11	975-995	1900	brillant	grape	S	220 €

* LLBD cannot be used as a self-standing side panel

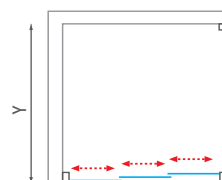
LLBD (atypical customized solution)						
type	width (y)	height (h)	profile	glass	delivery method	Price
LLBD	up to 1000 mm	up to 1900 mm	white / brillant	transparent	Z	on request
LLBD	up to 1000 mm	up to 1900 mm	white / brillant	grape	Z	on request
LLBD	up to 1000 mm	up to 1900 mm	white / brillant	rauch	Z	on request
LLBD	up to 1000 mm	up to 1900 mm	white / brillant	satinato	Z	on request

- installation width of PD3N in combination with side panel LLBD

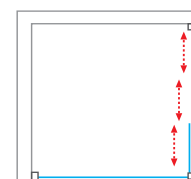
type	installation width (Z)
PD3N/800 + LLBD	774-829
PD3N/900 + LLBD	874-929
PD3N/1000 + LLBD	974-1029



- PD3N + LLBD

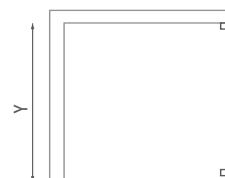


- LLBD + PD3N



- LLBD

universal LEFT and RIGHT solution



Nominal sizes of shower enclosures are designed for INSTALLATION ON THE TRAY and they are always assembled with indentation from the edge of the tray. With INSTALLATION ON THE TILES there is a risk, that the size of shower enclosure will be smaller than measured width of the tiles. It is necessary to follow the size charts on "TECHNICAL SPECIFICATION" pages at the end of our catalogue (p. 281-303).

Atypical
customized solution

Atypical dimensions

Tailored shower enclosure
within 30 working days!

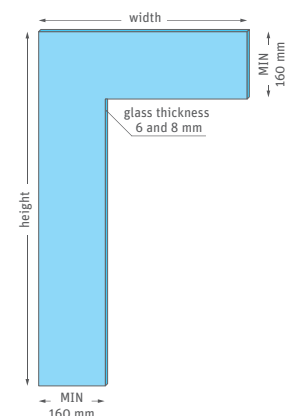
Do you have a small bathroom or you need a non-standard solution for your shower enclosure? As one of the few manufacturers we will offer you the opportunity to obtain a shower enclosure tailor made.

Extra warranty for 5 years.

We produce shower enclosures tailored to any space. Whether you have limited space or plan the bathroom in an attic or you need a non standard solution we will tune everythnig into the last millimetre.



**Limit (minimum) widths of glass
for design with cutout**





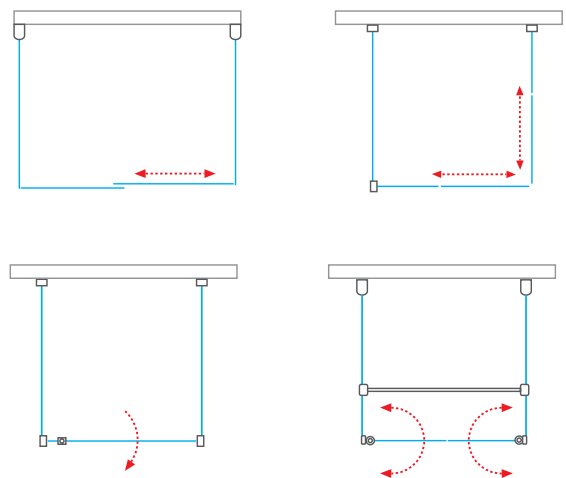
■ Bevel cut on fixed side panel with framing.



■ Details of the connection of shortened side wall to the bathtub



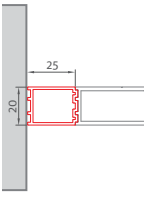

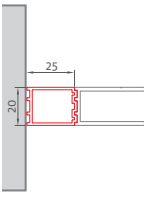

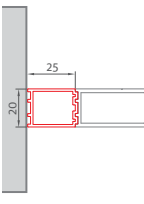

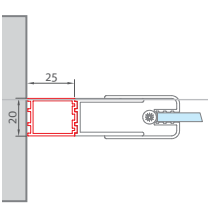

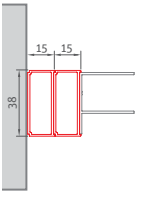

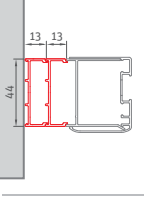

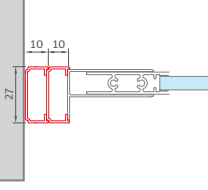

„U“ cabins



As standard it is possible to order sliding doors with a side wall from the AMBIENT, CARIBA (p. 93) and LIMAYA (LYP2+LYSW1AP2) series for the “U” shower cabin. If you require a “U” cabin in other product lines, do not hesitate to contact our sales department with a request. We will be happy to offer you solutions tailored to your needs.

Additional profiles

Extensional profiles and profiles for side connection

ADDITIONAL PROFILES							
PROFILE	series / type	extension width	height (length)	profile	ordering No.	delivery method	Price
 	extensional profile Proxima Neo PX R55, PX C2L(R), PX PIV, PX FXP, PX D2N	25 mm	2000 mm	brillant	CI EL2 2000 VE	S	33 €
				black elox	CI EL2 2000 NE	S	33 €
 	extensional profile Cariba CI FXO, CI FXG	25 mm	1978 mm	brillant	CI EL2 1978 VE	S	64 €
				black elox	CI EL2 1978 NE	S	64 €
 	extensional profile Cariba CI P55, CI EPF, CI PIG, CI 2CL(R), CI 2BT, CI PIV, CI PIF, CI P1L(R), CI RFL(R), CI C2L(R), CI D2L(R), CI FXP	25 mm	2000 mm	brillant	CI EL2 2000 VE	S	33 €
				black elox	CI EL2 2000 NE	S	33 €
 	extensional profile Limaya LYR4, LYP2, LYE4, LYE2, LYSW1AP2	25 mm	1948 mm	brillant	P4066	S	21 €
			extensional profile Limaya LYSW1S, LZ	1937 mm	brillant	P4067	S
 	extensional profile Lega Line LLR2, LLS2, LLD01, LLD4 LLD02, LLD2, LLB, LLBD	15 mm	1900 mm	brillant	P5093	S	20 €
				white	P5094	S	19 €
 	extensional profile Lega Line PD3N	13 mm	1900 mm	brillant	P5095	S	22 €
				white	P4055	S	17 €
 	extensional profile Project LD3	10 mm	1800 mm	white	P2376	S	8 €

Additional profiles enable to solve construction unevenness without the necessity to order an atypical product.

PROFILES FOR SIDE CONNECTION							
PROFILE	series / type	extension width	height (length)	profile	ordering No.	delivery method	Price
	profile for side connection Cariba CI FX0, CI FXG	25 mm	1978 mm	brillant	CI PRO 1978 VE	S	49 €
				black elox	CI PRO 1978 NE	S	49 €
	profile for side connection Cariba CI P55, CI EPF, CI PIG, CI 2CL(R), CI 2BT, CI PIV, CI PIF, CI PIL(R), CI RFL(R), CI C2L(R), CI D2L(R), CI FXP	25 mm	2000 mm	brillant	CI PRO 2000 VE	S	42 €
				black elox	CI PRO 2000 NE	S	42 €
	profile for side connection Limaya LYR4, LYP2, LYE4, LYE2, LYSW1AP2	25 mm	1948 mm	brillant	P5845	S	41 €
			1937 mm	brillant	P5846	S	41 €
	profile for side connection Lega Line whole line	15 mm	1900 mm	brillant	P5841	S	29 €



pozn.

maximum recommended number of extensional profiles by drawings above (three or two profiles shown in red colour)

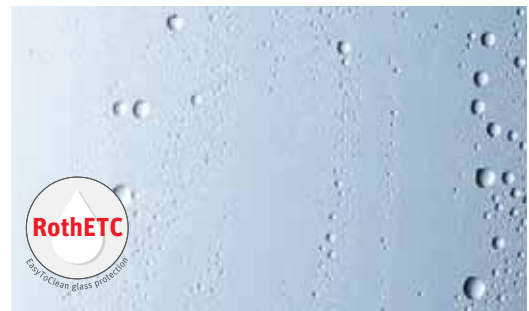
Perfect glass

Protective shield against dirt and limescale!

Shower enclosures without special glass treatment can suffer from limescale and impurities. With Roth shower enclosures this will not happen. Our unique coating based on nanotechnology RothETC will protect your shower enclosure to look like new all the time.

Protective coating will last 10 years

Persistent water repellent layer RothETC with oleophobic properties guarantees long-life inert surface protection with very good mechanical and chemical consistence. Thanks to these characteristics your shower enclosure will be very easy to clean.



■ Glass with **RothETC** treatment
FREE to all Roth glass panels



■ Untreated glass



RothETC

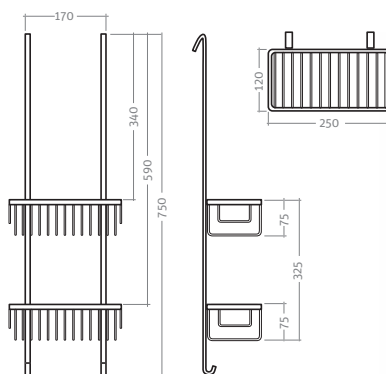
type	volume	ordering No.	delivery method	Price
RothETC COMPLETE CARE	3×500 ml	5139800	S	82 €
RothETC CLEANER	500 ml	5139810	S	15 €

SHELF UNI

hanging shelf

Get organized in cosmetics in your shower and get rid of hygiene products around the edges of the tray. Buy a new universal shelf, which could be easily hang on a screen of your shower enclosure, so you have everything nicely accessible and organized. Double hanging shelf SHELF UNI is made of quality materials in the chrome finishing, which guarantees 100% protection against corrosion.

Dimension: 750x250 mm



SHELF UNI			
type	ordering No.	delivery method	Price
SHELF UNI - hanging shelf	8000279	S	47 €



CLEANING BLADE

MAKE YOUR MAINTENANCE EASIER

Do you want to make your cleaning of shower enclosure easier? We recommend to wipe the glass after every usage with a practical cleaning blade. The width of the wiping surface is 245 mm. The practical chrome handle has a length of 150 mm.



CLEANING BLADE			
type	ordering No.	delivery method	Price
CLEANING BLADE	8000201	S	20 €
CLEANING BLADE HOLDER	8000247	S	6 €

Profiles and glass panels of our shower enclosures

Profile colours



- color options can be found in the product description next to this icon
- shower enclosure profiles - 4 basic colour designs
- Plus color variants of the PASTEL range – page 26



■ Brilliant



■ Gold



■ Black elox



■ White

Types of glass panel finishing



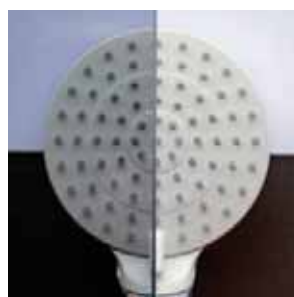
- in the offer you will find 11 types of glass panels and 6 types of prints
- ESG tempered safety glass 4, 5, 6, 8, and 10 mm with RothETC glass protection
- for every shower enclosure the possibility of different glass panel



■ Transparent



■ Chinchilla



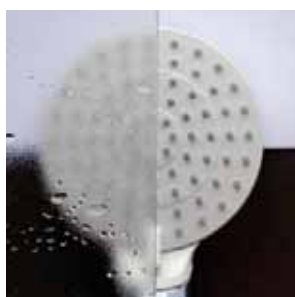
■ Rauch



■ Satinato



■ Grape



■ Rugiada (polystyrol)



■ Carre



■ Soft



■ Flute



■ Ligne



■ Point



■ intimglass (Lega line)



■ intimglass (Tower line)

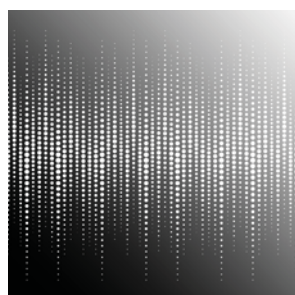
For our shower enclosures with 6 and 8 mm thick glass, you can request several new interesting **structured glass panels** as an atypical solution..

You can also choose from our **new special prints**, which can also be prepared for you on 4 and 5 mm glass. For information on prices and production options for a specific product, contact your sales representative.

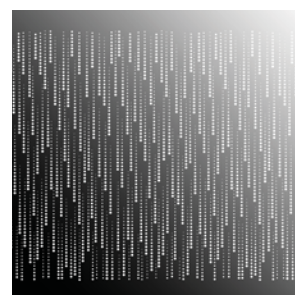
Try high-quality safety ESG glass with plastic decors or with white graphic prints, which will give your bathroom **an original look and a sense of intimacy.**



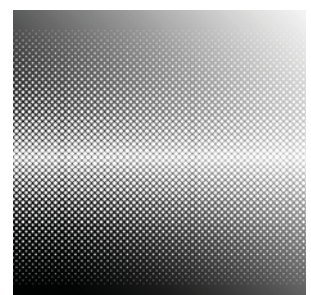
■ intimglass Misty



■ Dots printing



■ Drops printing



■ Rhomb printing

Shower trays
of cast marble

Marmo Prestol

- a new generation of durable shower trays using the advantages of cast marble
- top quality processing
- 5-year warranty



PRESTOL

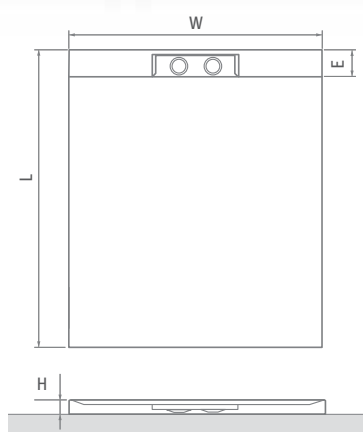
rectangular cast marble shower tray
with integrated double siphon and cover
made out of polished stainless steel

120×80 / 120×90
140×80 / 140×90
150×80 / 150×90



■ Solid stainless steel cover highlights the design of this product

■ A double self-cleaning siphon drain guarantee better drainage rate which ensures that during showering water will not accumulate anywhere



PRESTOL (cast marble shower tray with stainless steel cover)

type	ordering No.	dimension (mm)	delivery method	Price
PRESTOL 1200×800	8000300	1200×800×35	S	245 €
PRESTOL 1200×900	8000301	1200×900×35	S	265 €
PRESTOL 1400×800	8000302	1400×800×35	S	282 €
PRESTOL 1400×900	8000303	1400×900×35	S	302 €
PRESTOL 1500×800	8000304	1500×800×35	S	322 €
PRESTOL 1500×900	8000305	1500×900×35	S	343 €

prices including 9 pcs of adjustable legs (adjustability 8 + 10 cm) and the stainless steel cover

PRESTOL	L	W	H	E	Ø
1200×800	1200	800	35	97	2×60
1200×900	1200	900	35	97	2×60
1400×800	1400	800	35	97	2×60
1400×900	1400	900	35	97	2×60
1500×800	1500	800	35	97	2×60
1500×900	1500	900	35	97	2×60

PRESTOL (double siphon drain)

type	ordering No.	description	delivery method	Price
PRESTOL SIPHON	8100300	double siphon drain Ø 60	S	41 €

Marmo Neo

Cast marble shower trays

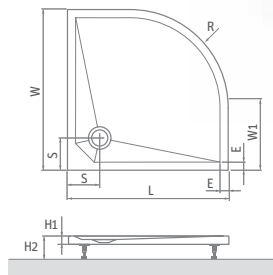
- > new series of cast marble shower trays in a modern straight design
- > the perfectly smooth surface of the trays is non-absorbent and accessible over the entire surface for easy cleaning
- > high quality barrier-free solution easy maintenance



Marmo Neo ROUND

quadrant cast marble shower tray

80×80 / 90×90 / 100×100



Marmo Neo ROUND	L	W	H1	H2	W1	E	S	R	ϕ
800×800	800	800	30	110-130	250	45	180	550	90
900×900	900	900	30	110-130	350	45	180	550	90
1000×1000	1000	1000	30	110-130	450	45	180	550	90

Marmo Neo ROUND

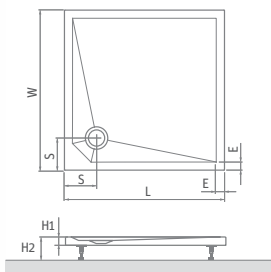
type	ordering No.	dimension (mm)	delivery method	Price
Marmo Neo ROUND 800	MAN RO 080080 2E	800×800×30, R550	S	177 €
Marmo Neo ROUND 900	MAN RO 090090 2E	900×900×30, R550	S	202 €
Marmo Neo ROUND 1000	MAN RO 100100 2E	1000×1000×30, R550	S	213 €
front panel 800	8010069	height=100	S	61 €
front panel 900	8010067	height=100	S	61 €
front panel 1000	8010074	height=100	S	61 €

prices including 5 pcs of adjustable legs (adjustability 8 ÷ 10 cm)

Marmo Neo SQUARE

square cast marble shower tray

80×80 / 90×90 / 100×100



Marmo Neo SQUARE	L	W	H1	H2	E	S	ø
800×800	800	800	30	110-130	45	180	90
900×900	900	900	30	110-130	45	180	90
1000×1000	1000	1000	30	110-130	45	180	90



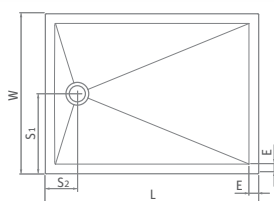
Marmo Neo SQUARE

type	ordering No.	dimension (mm)	delivery method	Price
Marmo Neo SQUARE 800	MAN SQ 080080 2E	800×800×30	S	179 €
Marmo Neo SQUARE 900	MAN SQ 090090 2E	900×900×30	S	199 €
Marmo Neo SQUARE 1000	MAN SQ 100100 2E	1000×1000×30	S	227 €
front panel 800	8010070	height=100	S	67 €
front panel 900	8010066	height=100	S	69 €
front panel 1000	8010081	height=100	S	102 €

prices including 5 pcs of adjustable legs (adjustability 8 ÷ 10 cm)

rectangular cast marble shower tray

90×70 / 80×90 / 100×80 / 100×90 / 110×80 / 110×90 / 120×80 / 120×90
130×80 / 130×90 / 140×80 / 140×90 / 150×80 / 150×90 / 160×80 / 160×90



Marmo Neo SQUARE	L	W	H1	H2	E	S1	S2	ø
900×700	900	700	30	110-130	50	350	180	90
800×900 *	800	900	30	110-130	50	450	180	90
1000×800	1000	800	30	110-130	50	400	180	90
1000×900	1000	900	30	110-130	50	450	180	90
1100×800	1100	800	30	110-130	50	400	180	90
1100×900	1100	900	30	110-130	50	450	180	90
1200×800	1200	800	35	115-135	50	400	180	90
1200×900	1200	900	35	115-135	50	450	180	90
1300×800	1300	800	35	115-135	50	400	180	90
1300×900	1300	900	35	115-135	50	450	180	90
1400×800	1400	800	35	115-135	50	400	180	90
1400×900	1400	900	35	115-135	50	450	180	90
1500×800	1500	800	35	115-135	50	400	180	90
1500×900	1500	900	35	115-135	50	450	180	90
1600×800	1600	800	35	115-135	50	400	180	90
1600×900	1600	900	35	115-135	50	450	180	90

* with the size of the 800 × 900 tray, the siphon is on the longer side



Marmo Neo SQUARE

type	ordering No.	dimension (mm)	delivery method	Price
Marmo Neo SQUARE 9070	MAN SQ 090070 2E	900×700×30	S	181 €
Marmo Neo SQUARE 8090	MAN SQ 080090 2E	800×900×30	S	202 €
Marmo Neo SQUARE 10080	MAN SQ 100080 2E	1000×800×30	S	199 €
Marmo Neo SQUARE 10090	MAN SQ 100090 2E	1000×900×30	S	213 €
Marmo Neo SQUARE 11080	MAN SQ 110080 2E	1100×800×30	S	224 €
Marmo Neo SQUARE 11090	MAN SQ 110090 2E	1100×900×30	S	238 €
Marmo Neo SQUARE 12080	MAN SQ 120080 2E	1200×800×35	S	261 €
Marmo Neo SQUARE 12090	MAN SQ 120090 2E	1200×900×35	S	272 €
* Marmo Neo SQUARE 13080	MAN SQ 130080 2E	1300×800×35	S	282 €
* Marmo Neo SQUARE 13090	MAN SQ 130090 2E	1300×900×35	S	288 €
* Marmo Neo SQUARE 14080	MAN SQ 140080 2E	1400×800×35	S	292 €
* Marmo Neo SQUARE 14090	MAN SQ 140090 2E	1400×900×35	S	308 €
* Marmo Neo SQUARE 15080	MAN SQ 150080 2E	1500×800×35	S	314 €
* Marmo Neo SQUARE 15090	MAN SQ 150090 2E	1500×900×35	S	318 €
* Marmo Neo SQUARE 16080	MAN SQ 160080 2E	1600×800×35	S	320 €
* Marmo Neo SQUARE 16090	MAN SQ 160090 2E	1600×900×35	S	331 €

prices including 5 pcs of adjustable legs (adjustability 8 ÷ 10 cm) / * 9 pcs of legs included

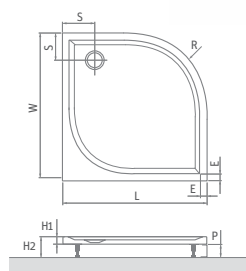
Marmo Classic

Cast marble shower trays

DREAM-M

quadrant cast marble shower tray

80×80 / 90×90



DREAM-M	L	W	H1	H2	S	P	E	R	Ø
800×800	800	800	30	110-130	150	100	40	550	90
900×900	900	900	30	110-130	180	100	40	550	90



DREAM-M

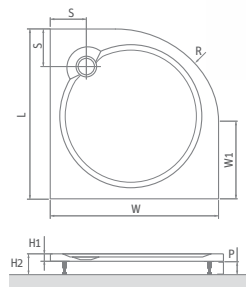
type	ordering No.	dimension (mm)	delivery method	Price
DREAM-M 800	8000151	800×800×30, R550	S	171 €
DREAM-M 900	8000150	900×900×30, R550	S	188 €
front panel 800	8010069	height=100	S	61 €
front panel 900	8010067	height=100	S	61 €

prices including 5 pcs of adjustable legs (adjustability 8 + 10 cm)

TAHITI-M

quadrant cast marble shower tray

80×80 / 90×90 / 100×100



TAHITI-M	L	W	H1	H2	W1	S	P	R	Ø
800×800	800	800	30	110-130	250	180	100	550	90
900×900	900	900	30	110-130	350	190	100	550	90
1000×1000	1000	1000	30	110-130	450	200	100	550	90



TAHITI-M

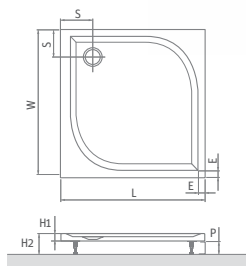
type	ordering No.	dimension (mm)	delivery method	Price
TAHITI-M 800	8000064	800×800×30, R550	S	167 €
TAHITI-M 900	8000065	900×900×30, R550	S	190 €
TAHITI-M 1000	8000082	1000×1000×30, R550	S	216 €
front panel 800	8010069	height=100	S	61 €
front panel 900	8010067	height=100	S	61 €
front panel 1000	8010074	height=100	S	61 €

prices including 5 pcs of adjustable legs (adjustability 8 + 10 cm)

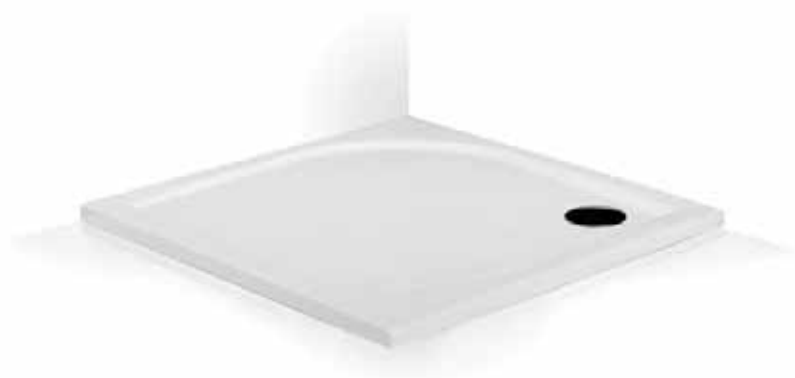
ALOHA-M

square cast marble shower tray

80×80 / 90×90



ALOHA-M	L	W	H1	H2	S	P	E	β
800×800	800	800	30	110-130	150	100	40	90
900×900	900	900	30	110-130	180	100	40	90



ALOHA-M

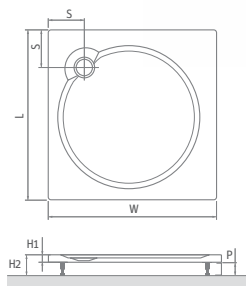
type	ordering No.	dimension (mm)	delivery method	Price
ALOHA-M 800	8000155	800×800×30	S	173 €
ALOHA-M 900	8000154	900×900×30	S	196 €
front panel 800	8010070	height=100	S	67 €
front panel 900	8010066	height=100	S	69 €

prices including 5 pcs of adjustable legs (adjustability 8 ÷ 10 cm)

MACAO-M

square cast marble shower tray

80×80 / 90×90 / 100×100



MACAO-M	L	W	H1	H2	S	P	E	R	β
800×800	800	800	30	110-130	170	100	90	550	90
900×900	900	900	30	110-130	190	100	90	550	90
1000×1000	1000	1000	30	110-130	190	100	90	550	90



MACAO-M

type	ordering No.	dimension (mm)	delivery method	Price
MACAO-M 800	8000062	800×800×30	S	194 €
MACAO-M 900	8000063	900×900×30	S	198 €
MACAO-M 1000	8000165	1000×1000×30	S	228 €
front panel 800	8010070	height=100	S	67 €
front panel 900	8010066	height=100	S	69 €
front panel 1000	8010081	height=100	S	102 €

prices including 5 pcs of adjustable legs (adjustability 8 ÷ 10 cm)



Cast marble trays are possible to build directly into the floor. A part of these trays is a set of legs for the case, if you would like to place the tray on an already tiled floor.

In case, you have decided to place the tray on an already tiled floor by using the legs, we recommend ordering an acrylic front cover panel together with the tray.



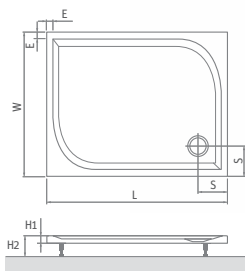
Marmo Classic

Cast marble shower trays

RECTAN-M

rectangular cast marble shower tray

90×80 / 100×80 / 100×90
120×80 / 120×90



RECTAN-M	L	W	H1	H2	E	S	ø
900×800	900	800	30	110-130	45	150	90
1000×800	1000	800	30	110-130	45	150	90
1000×900	1000	900	30	110-130	45	150	90
1200×800	1200	800	30	110-130	45	150	90
1200×900	1200	900	30	110-130	75	190	90



RECTAN-M

type	ordering No.	dimension (mm)	delivery method	Price
RECTAN-M 900×800	8000450	900×800×30	S	180 €
RECTAN-M 1000×800	8000166	1000×800×30	S	194 €
RECTAN-M 1000×900	8000451	1000×900×30	S	200 €
RECTAN-M 1200×800	8000167	1200×800×30	S	210 €
RECTAN-M 1200×900	8000168	1200×900×30	S	233 €

prices including 5 pcs of adjustable legs (adjustability 8 ÷ 10 cm)



Cast marble shower trays allow, due to its low entrance edge, comfortable access to the shower.



■ MACAO-M, TAHITI-M



■ ALOHA-M, DREAM-M, RECTAN-M

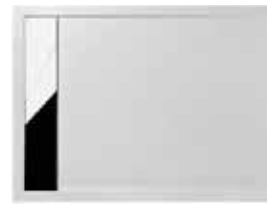


Anti slip finishing of cast marble trays for more safety in the shower.

Acrylic shower trays

- up to 10 years warranty
- asymmetric and classic shapes
- wide selection of dimensions

almost widest range in the market



- 800×800
- 900×900
- 1000×1000

- 800×800
- 900×900
- 1000×1000

- 800×1000 / 1100 / 1200 / 1300 / 1400 / 1500
- 900×1000 / 1100 / 1200 / 1300 / 1400 / 1500
- 800×900 / 1200×1000
- 750×1500 / 1600

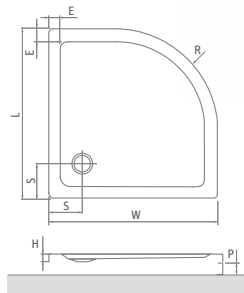
Shower trays

acrylic

FLAT ROUND

quadrant acrylic shower tray

80×80 / 90×90 / 100×100



FLAT ROUND	L	W	H	S	E	P	R	Ø
800×800	800	800	50	150	50	80	550	90
900×900	900	900	50	150	50	80	550	90
1000×1000	1000	1000	50	175	50	80	550	90



FLAT ROUND

type	ordering No.	dimension (mm)	delivery method	Price
FLAT ROUND	8000115	800×800×50, R550	S	116 €
FLAT ROUND	8000116	900×900×50, R550	S	124 €
FLAT ROUND	8000117	1000×1000×50, R550	S	167 €
front PANEL 800	8010082	height=80	S	64 €
front PANEL 900	8010083	height=80	S	64 €
front PANEL 1000	8010084	height=80	S	73 €

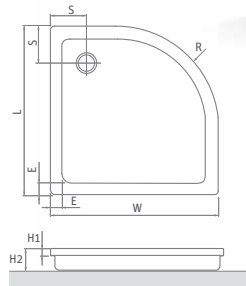
■ front panel FLAT ROUND



HAWAII

quadrant acrylic shower tray

80×80 / 90×90



HAWAII	L	W	H1	H2	S	E	R	Ø
800×800	800	800	35	150	180	70	550	60
900×900	900	900	35	160	185	70	550	60



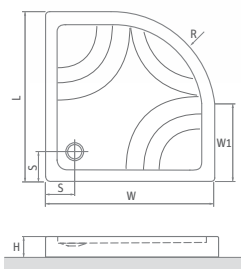
HAWAII

type	ordering No.	dimension (mm)	delivery method	Price
HAWAII 800	8000007	800×800×150, R550	S	120 €
HAWAII 900	8000026	900×900×160, R550	S	128 €

HAWAII-P

quadrant self-supporting shower tray
made out of coextruded shell with PU support

80×80 / 90×90



HAWAII-P	L	W	H	W1	S	R	Ø
800×800	800	800	170	250	140	550	60
900×900	900	900	170	350	140	550	60



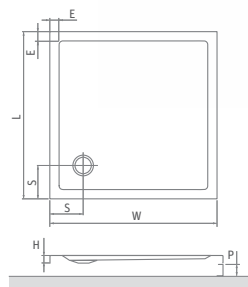
HAWAII-P

type	ordering No.	dimension (mm)	delivery method	Price
HAWAII-P 800	8000024	800×800×170, R550	S	148 €
HAWAII-P 900	8000025	900×900×170, R550	S	168 €

FLAT KVADRO

square acrylic shower tray

80×80 / 90×90 / 100×100



FLAT KVADRO	L	W	H	S	E	P	Ø
800×800	800	800	50	150	50	80	90
900×900	900	900	50	150	50	80	90
1000×1000	1000	1000	50	175	50	80	90



FLAT KVADRO

type	ordering No.	dimension (mm)	delivery method	Price
FLAT KVADRO	8000118	800×800×50	S	116 €
FLAT KVADRO	8000119	900×900×50	S	124 €
FLAT KVADRO	8000120	1000×1000×50	S	167 €
front panel 800	8010085	height=80	S	64 €
front panel 900	8010086	height=80	S	64 €
front panel 1000	8010087	height=80	S	73 €

■ front panel FLAT KVADRO



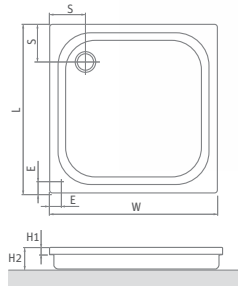
Shower trays

acrylic

COLA

square acrylic shower tray

80×80 / 90×90



COLA	L	W	H1	H2	S	E	Ø
800×800	800	800	35	170	170	70	60
900×900	900	900	35	170	225	70	60



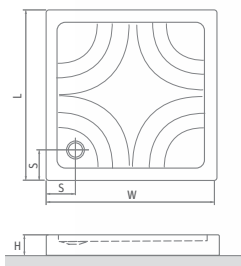
COLA

type	ordering No.	dimension (mm)	delivery method	Price
COLA 800	8000003	800×800×160	S	120 €
COLA 900	8000004	900×900×170	S	128 €

COLA-P

square self-supporting shower tray
made out of coextruded shell with PU support

80×80 / 90×90



COLA-P	L	W	H	S	Ø
800×800	800	800	170	140	60
900×900	900	900	170	140	60



COLA-P

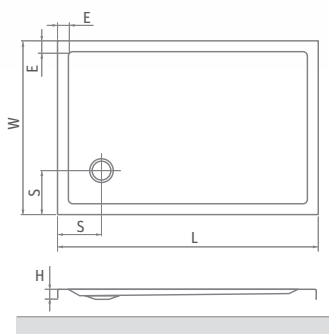
type	ordering No.	dimension (mm)	delivery method	Price
COLA-P 800	8000022	800×800×170	S	148 €
COLA-P 900	8000023	900×900×170	S	168 €

FLAT KVADRO

rectangular acrylic shower tray



75×150 / 160
 90×80 / 120×100
 80×100 / 110 / 120 / 130 / 140 / 150
 90×100 / 110 / 120 / 130 / 140 / 150



FLAT KVADRO	L	W	H	S	E	β
900×800	900	800	50	150	50	90
1000×800	1000	800	50	150	50	90
1000×900	1000	900	50	150	50	90
1100×800	1100	800	50	150	50	90
1100×900	1100	900	50	150	50	90
1200×800	1200	800	50	150	50	90
1200×900	1200	900	50	150	50	90
1200×1000	1200	1000	50	150	50	90
1300×800	1300	800	50	150	50	90
1300×900	1300	900	50	150	50	90
1400×800	1400	800	50	150	50	90
1400×900	1400	900	50	150	50	90
1500×800	1500	800	60	150	50	90
1500×900	1500	900	60	150	50	90
1500×750	1500	750	60	160	50	90
1600×750	1600	750	60	160	50	90

FLAT KVADRO				
type	ordering No.	dimension (mm)	delivery method	Price
FLAT KVADRO	8000161	900×800×50	S	124 €
FLAT KVADRO	8000121	1000×800×50	S	151 €
FLAT KVADRO	8000122	1000×900×50	S	162 €
FLAT KVADRO	8000248	1100×800×50	S	153 €
FLAT KVADRO	8000252	1100×900×50	S	172 €
FLAT KVADRO	8000123	1200×800×50	S	162 €
FLAT KVADRO	8000124	1200×900×50	S	212 €
FLAT KVADRO	8000160	1200×1000×50	S	237 €
FLAT KVADRO	8000249	1300×800×50	S	179 €
FLAT KVADRO	8000253	1300×900×50	S	226 €
FLAT KVADRO	8000125	1400×800×50	S	212 €
FLAT KVADRO	8000254	1400×900×50	S	239 €
FLAT KVADRO	8000251	1500×800×60	S	222 €
FLAT KVADRO	8000255	1500×900×60	S	259 €
FLAT KVADRO	8000243	1500×750×60	S	212 €
FLAT KVADRO	8000244	1600×750×60	S	237 €

■ shower tray FLAT KVADRO 1500



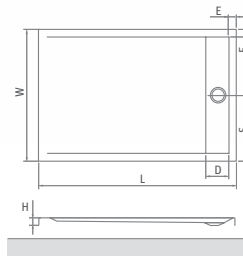
Shower trays

acrylic

INTEGRO

120×90 / 140×90 / 150×90

rectangular acrylic shower tray with integrated siphon cover made out of polished stainless steel



INTEGRO	L	W	H	S	D	E	ϕ
1200×900	1200	900	50	450	155	50	90
1400×900	1400	900	50	450	155	50	90
1500×900	1500	900	50	450	155	50	90

INTEGRO

type	ordering No.	dimension (mm)	delivery method	Price
INTEGRO 1200	8000169	1200×900×50	S	269 €
INTEGRO 1400	8000170	1400×900×50	S	289 €
INTEGRO 1500	8000171	1500×900×50	S	308 €



FLAT acrylic trays are possible to build directly into the floor. In case you would like to place the tray on legs, we recommend to use a set of legs for acrylic trays. This set contains 5 pcs of adjustable legs (with them you will easily level the tray) and a set of mounts (for fixing the tray to the wall).



- legs adjustability: 7 ÷ 9 cm

Set of legs

LEGS FOR ACRYLIC SHOWER TRAYS	5139200	5 pcs of adjustable legs, set of mounts for wall mounting	S	13 €
-------------------------------	---------	---	---	------

FLAT STONE EFFECT

■ FLAT STONE **White**

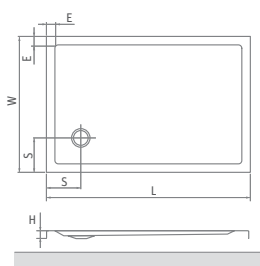


■ FLAT STONE **Anthracite**



Shower trays FLAT STONE EFFECT are designed not only for modern bathrooms with a spacious shower.

These shower trays are made of structured acrylate with a very pleasant surface to touch. FLAT STONE EFFECT is produced in the shape of a square in three dimensions or in a rectangle design, where there are an incredible 14 dimensions to choose from. All this in two colour variants - ageless sanitary white colour and modern anthracite.



FLAT STONE	L	W	H	S	E	β
800×800	800	800	50	150	50	90
900×900	900	900	50	150	50	90
1000×1000	1000	1000	50	175	50	90
900×800	900	800	50	150	50	90
1000×800	1000	800	50	150	50	90
1000×900	1000	900	50	150	50	90
1100×800	1100	800	50	150	50	90
1100×900	1100	900	50	150	50	90
1200×800	1200	800	50	150	50	90
1200×900	1200	900	50	150	50	90
1200×1000	1200	1000	50	150	50	90
1300×800	1300	800	50	150	50	90
1300×900	1300	900	50	150	50	90
1400×800	1400	800	50	150	50	90
1400×900	1400	900	50	150	50	90
1500×800	1500	800	50	150	50	90
1500×900	1500	900	50	150	50	90

FLAT STONE EFFECT

type	colour	ordering No.	dimension (mm)	delivery method	Price
FLAT STONE 80×80	anthracite	8000310	800×800×50	S	117 €
	white	8000311			
FLAT STONE 90×90	anthracite	8000312	900×900×50	S	125 €
	white	8000313			
FLAT STONE 100×100	anthracite	8000314	1000×1000×50	S	169 €
	white	8000315			
FLAT STONE 90×80	anthracite	8000316	900×800×50	S	125 €
	white	8000317			
FLAT STONE 100×80	anthracite	8000318	1000×800×50	S	152 €
	white	8000319			
FLAT STONE 100×90	anthracite	8000320	1000×900×50	S	164 €
	white	8000321			
FLAT STONE 110×80	anthracite	8000322	1100×800×50	S	155 €
	white	8000323			
FLAT STONE 110×90	anthracite	8000324	1100×900×50	S	173 €
	white	8000325			
FLAT STONE 120×80	anthracite	8000326	1200×800×50	S	164 €
	white	8000327			
FLAT STONE 120×90	anthracite	8000328	1200×900×50	S	214 €
	white	8000329			
FLAT STONE 120×100	anthracite	8000330	1200×1000×50	S	239 €
	white	8000331			
FLAT STONE 130×80	anthracite	8000332	1300×800×50	S	180 €
	white	8000333			
FLAT STONE 130×90	anthracite	8000334	1300×900×50	S	228 €
	white	8000335			
FLAT STONE 140×80	anthracite	8000336	1400×800×50	S	214 €
	white	8000337			
FLAT STONE 140×90	anthracite	8000338	1400×900×50	S	241 €
	whit	8000339			
FLAT STONE 150×80	anthracite	8000340	1500×800×50	S	224 €
	white	8000341			
FLAT STONE 150×90	anthracite	8000342	1500×900×50	S	262 €
	white	8000343			

These shower trays are intended for clearance sale.

Bathtubs
freestanding

Are you also **enchanted by freestanding bathtubs?** We do! That's why we bring you **two more news in this category.**

NEW

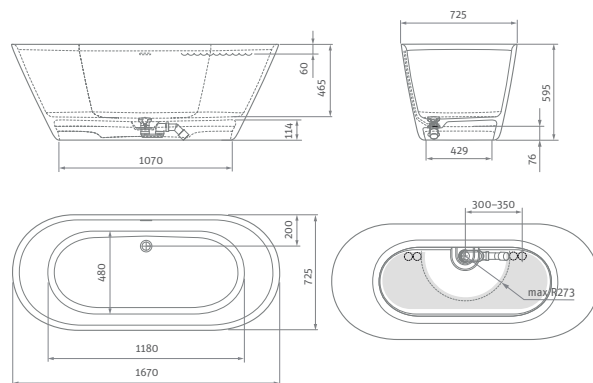


■ bathtub ALBERENA WHITE

LINEA STONE WHITE

freestanding bathtub made of cast marble

167×72



- recommended drainage area

LINEA STONE WHITE

type	ordering No.	dimension (mm)	volume (l)	delivery method	Price
LINEA STONE WHITE	5261000	1670×725×595	240	Z	1 938 €

Bathtub is equipped by the integrated siphon with the cover.

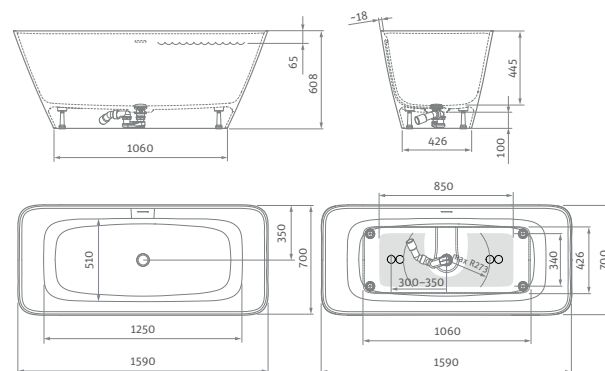
weight: 136 kg



ALBERENA WHITE

freestanding bathtub made of cast marble

159×70



- recommended drainage area

ALBERENA WHITE

type	ordering No.	dimension (mm)	volume (l)	delivery method	Price
ALBERENA WHITE	5271000	1590×700×610	275	Z	2 005 €

Bathtub is equipped by the integrated siphon with the cover.

weight: 104 kg



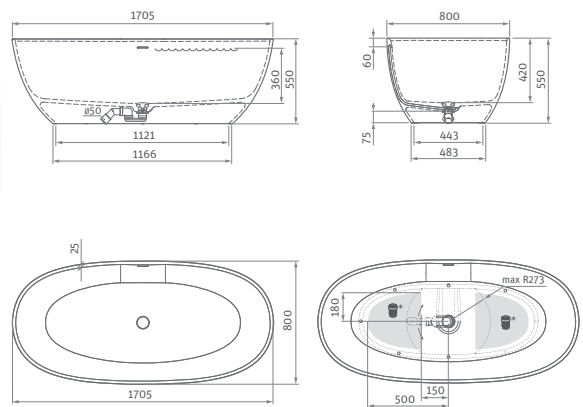
Bathtubs freestanding

With the new **ALLYSA** bathtub, you can now choose between **black and white variant** for your interior!

ALLYSA WHITE / BLACK

freestanding bathtub made of cast marble

170×80



ALLYSA

type	ordering No.	dimension (mm)	volume (l)	delivery method	Price
ALLYSA WHITE	5231000	1705×800×550	312	Z	2 040 €
ALLYSA BLACK	5232000	1705×800×550	312	Z	2 244 €

Bathtub is equipped by the integrated siphon with the cover
weight: 115 kg



* - recommended drainage area



■ Bathtub in black design - ALLYSA BLACK



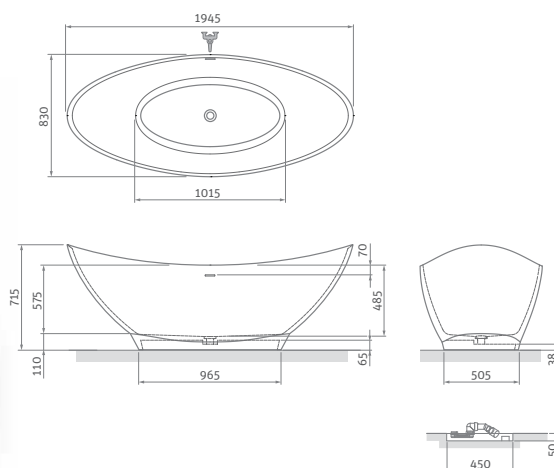
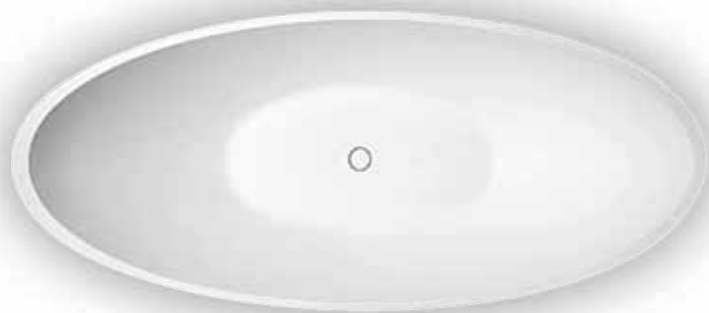
■ ALLYSA WHITE - a white version of the bathtub



ALEGRIA SILK

elegant freestanding bathtub made of Solid Surface material

194×83



! Note:
Before installation the drain has to be pre-built into the floor

ALEGRIA SILK					
type	ordering No.	dimension (mm)	volume (l)	delivery method	Price
ALEGRIA SILK	9950000	1945×830×715	280	Z	3 060 €

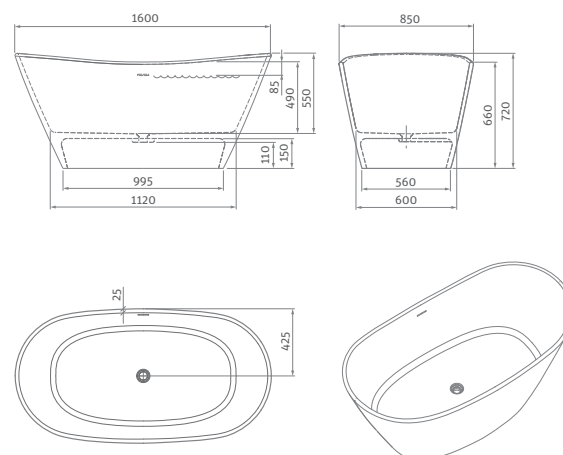
The integrated drain cover of this bathtub is specially made of Solid Surface material.
weight: 128 kg



STONE AMORE

freestanding bathtub made of cast marble

160×85



STONE AMORE					
type	ordering No.	dimension (mm)	volume (l)	delivery method	Price
STONE AMORE	9930000	1600×850×720	260	Z	1 907 €

Bathtub is equipped by the integrated siphon.
weight: 127 kg



Bathtubs
freestanding

Is it possible to make such a bathtub from acrylic? Absolutely. Will our new freestanding bathtub **catch your attention?**

NEW

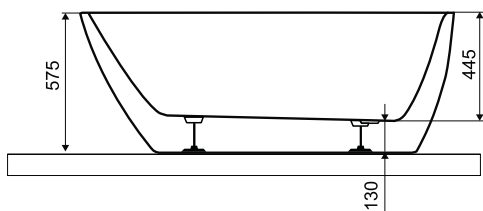
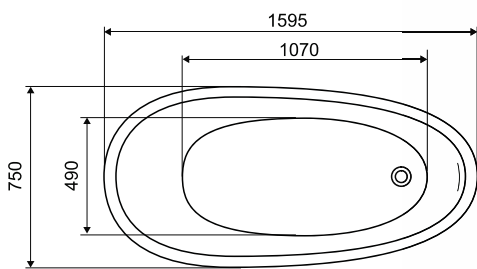
■ bathtub AVELLIA



AVELLIA

acrylic freestanding bathtub

160×75



AVELLIA

type	ordering No.	dimension (mm)	volume (l)	delivery method	Price
AVELLIA	9740000	1595×750×575	260	S	1 790 €

Bathtub is equipped by the integrated overflow, legs and the click-clack siphon
weight: 37,5 kg



Bathtubs acrylic

KUBIC NEO

rectangular acrylic bathtub

150×70 / 160×70 / 160×80
170×75 / 180×80



■ KUBIC NEO with bath screen



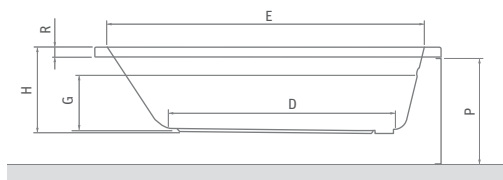
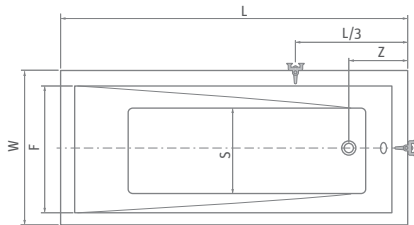
recommended accessories
legs EXCLUSIVE or VARIO
page 231



AC BAE, AC BAF, AP BF, NV BAE,
NV BAF, NP BAF, CI BAE, CI BAF,
CI 2PL/R, PX BFX, LLV2, LLVB,

KUBIC NEO

type	ordering No.	dimension (mm)	volume (l)	delivery method	Price
KUBIC NEO 150×70	9300000	1500×700	200	S	249 €
KUBIC NEO 160×70	9310000	1600×700	210	S	255 €
KUBIC NEO 160×80	9320000	1600×800	225	S	275 €
KUBIC NEO 170×75	9330000	1700×750	230	S	320 €
KUBIC NEO 180×80	9340000	1800×800	250	S	333 €
Front PANEL 150	9300001	1500×560	-	S	147 €
Front PANEL 160	9310001	1600×560	-	S	148 €
Front PANEL 170	9330001	1700×560	-	S	163 €
Front PANEL 180	9340001	1800×560	-	S	163 €
Side PANEL 70	9300002	700×560	-	S	128 €
Side PANEL 75	9330002	750×560	-	S	128 €
Side PANEL 80	9340002	800×560	-	S	133 €



KUBIC NEO	L	W	H	G	D	R	P	S	E	F	Z
1495×695	1495	695	435	330	970	40	560	400	1360	560	290
1595×695	1595	695	435	330	1070	40	560	400	1460	560	290
1595×795	1595	795	455	350	1070	40	560	450	1460	660	290
1695×750	1695	750	435	330	1170	40	560	420	1560	610	290
1795×795	1795	795	455	350	1270	40	560	450	1660	660	290

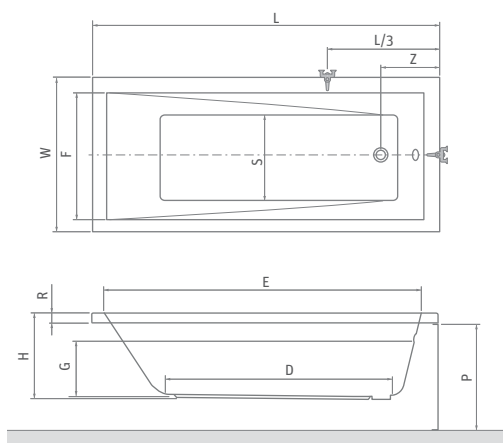
KUBIC NEO SLIM

rectangular acrylic bathtub with extra slim rim

150×70 / 160×70 / 160×80
170×75 / 180×80

KUBIC NEO SLIM

type	ordering No.	dimension (mm)	volume (l)	delivery method	Price
KUBIC NEO SLIM 150×70	9300SLM	1500×700	200	S	290 €
KUBIC NEO SLIM 160×70	9310SLM	1600×700	210	S	296 €
KUBIC NEO SLIM 160×80	9320SLM	1600×800	225	S	306 €
KUBIC NEO SLIM 170×75	9330SLM	1700×750	230	S	320 €
KUBIC NEO SLIM 180×80	9340SLM	1800×800	250	S	379 €



recommended accessories
legs EXCLUSIVE or VARIO
page 231



AC BAE, AC BAF, AP BF, NV BAE,
NV BAF, NP BAF, CI BAE, CI BAF,
CI 2PL/R, PX BFX, LLV2, LLVB,

KUBIC NEO	L	W	H	G	D	R	P	S	E	F	Z
1495×695	1495	695	435	340	970	18	560	400	1360	560	290
1595×695	1595	695	435	340	1070	18	560	400	1460	560	290
1595×795	1595	795	455	360	1070	18	560	450	1460	660	290
1695×750	1695	750	435	340	1170	18	560	420	1560	610	290
1795×795	1795	795	455	360	1270	18	560	450	1660	660	290

New extra slim rim for more luxurious bathing ...



Bathtubs

acrylic

MALIBU NEO

rectangular acrylic bathtub

160×75 / 170×75 / 180×80



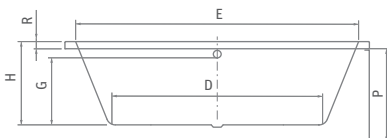
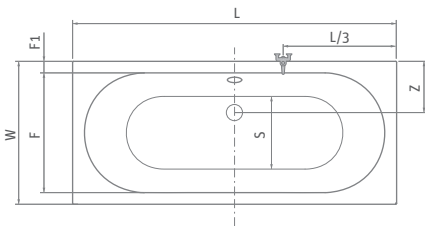
recommended accessories
legs EXCLUSIVE or VARIO
page 231



AC BAE, AC BAF, AP BF, NV BAE,
NV BAF, NP BAF, CI BAE, CI BAF,
CI 2PL/R, PX BFX, LLV2, LLVB,

MALIBU NEO

type	ordering No.	dimension (mm)	volume (l)	delivery method	Price
MALIBU NEO 160	9200000	1600×750	200	S	286 €
MALIBU NEO 170	9190000	1700×750	210	S	306 €
MALIBU NEO 180	9180000	1795×795	220	S	326 €
Front PANEL 160	9310001	1600×560	-	S	148 €
Front PANEL 170	9330001	1700×560	-	S	163 €
Front PANEL 180	9180001	1800×580	-	S	163 €
Side PANEL 75	9330002	750×560	-	S	128 €
Side PANEL 80	9180002	800×580	-	S	128 €



MALIBU NEO	L	W	H	G	D	R	P	S	E	F	F1	Z
1595×750	1595	750	430	330	1010	40	560	375	1480	630	60	255
1695×750	1695	750	465	320	1150	40	560	445	1590	630	60	255
1795×795	1795	795	465	330	1210	40	580	465	1680	670	60	270

KUBIC NEO

rectangular acrylic bathtub

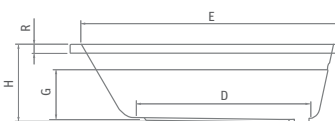
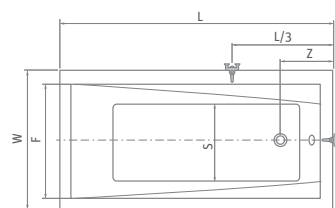
120×70 / 130×70



recommended accessories
legs EXCLUSIVE or VARIO
page 231



AC BAE, AC BAF, AP BF, NV BAE,
NV BAF, NP BAF, CI BAE, CI BAF,
PX BFX



KUBIC NEO

type	ordering No.	dimension (mm)	volume (l)	delivery method	Price
KUBIC NEO 120	9350000	1200×700	145	S	200 €
KUBIC NEO 130	9360000	1300×700	160	S	212 €

KUBIC NEO	L	W	H	G	D	R	S	E	F	Z
1195×695	1195	695	435	330	670	40	400	1060	560	290
1295×695	1295	695	435	330	770	40	400	1160	560	290

KUBIC

rectangular acrylic bathtub

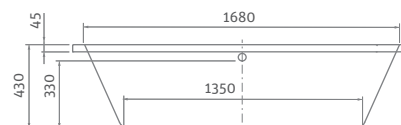
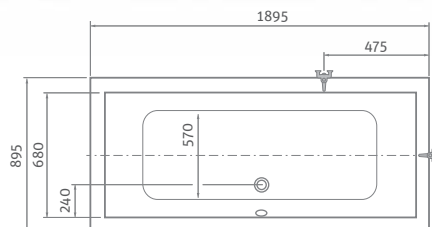
190×90



recommended accessories
legs EXCLUSIVE or VARIO
page 231



AC BAE, AC BAF, AP BF, NV BAE,
NV BAF, NP BAF, CI BAE, CI BAF,
CI 2PL/R, PX BFX, LLV2, LLVB,



KUBIC 190

type	ordering No.	dimension (mm)	volume (l)	delivery method	Price
KUBIC 190	9390000	1900×900	220	S	312 €

Bathtubs

acrylic

SAVONA NEO

rectangular acrylic bathtub

170×80 / 180×80



recommended accessories
legs EXCLUSIVE or VARIO
page 231

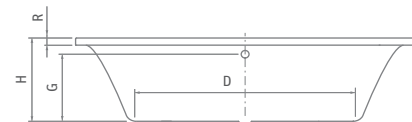
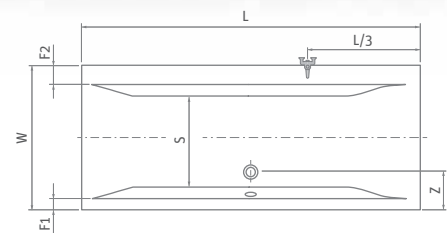


AC BAE, AC BAF, AP BF, NV BAE,
NV BAF, NP BAF, CI BAE, CI BAF,
CI 2PL/R, PX BFX, LLV2, LLVB,



SAVONA NEO

type	ordering No.	dimension (mm)	volume (l)	delivery method	Price
SAVONA NEO 170	9290000	1700×800	190	S	302 €
SAVONA NEO 180	9280000	1800×800	200	S	312 €



SAVONA NEO	L	W	H	G	D	R	S	F1	F2	Z
1700×800	1700	800	440	350	1140	40	580	60	90	265
1800×800	1800	800	440	350	1240	40	580	60	90	265



VANESSA NEO

rectangular acrylic bathtub

140×70 / 150×70 / 160×70 / 170×70



recommended accessories
legs EXCLUSIVE or VARIO
page 231



AC BAE, AC BAF, AP BF, NV BAE,
NV BAF, NP BAF, CI BAE, CI BAF,
CI 2PL/R, PX BFX, LLV2, LLVB,



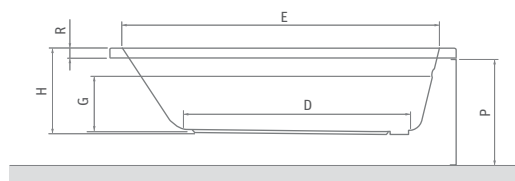
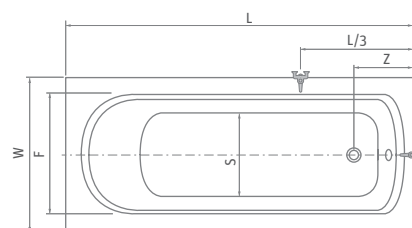
VANESSA NEO

type	ordering No.	dimension (mm)	volume (l)	delivery method	Price
VANESSA NEO 140	9550000	1400×700	150	S	188 €
VANESSA NEO 150	9560000	1500×700	155	S	204 €
VANESSA NEO 160	9570000	1600×700	160	S	224 €
VANESSA NEO 170	9580000	1700×700	165	S	245 €
Front PANEL 140	9550001	1400×530	-	S	110 €
Front PANEL 150	8930001	1500×530	-	S	115 €
Front PANEL 160	8940001	1600×530	-	S	120 €
Front PANEL 170	8950001	1700×530	-	S	125 €
Side PANEL 70	8930002	700×530	-	S	84 €

■ front panel for VANESSA NEO bathtub



■ side panel for VANESSA NEO bathtub



VANESSA NEO	L	W	H	G	D	R	P	S	E	F	Z
1395×695	1395	695	435	330	870	40	530	380	1270	560	270
1495×695	1495	695	435	330	970	40	530	380	1370	560	270
1595×695	1595	695	435	330	1070	40	530	380	1470	560	270
1695×695	1695	695	435	330	1170	40	530	380	1570	510	270

Bathtubs

acrylic

ACTIVA

asymmetric corner acrylic bathtub

150×90 / 160×90 / 170×90



recommended accessories
legs EXCLUSIVE or VARIO
page 231

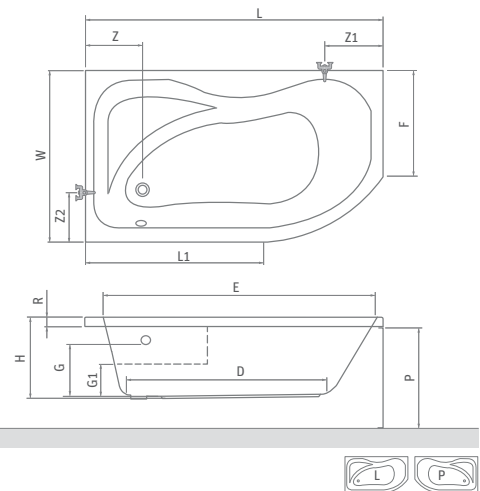


AC BAE, NV BAE, PX BFX



ACTIVA					
type	ordering No.	dimension (mm)	volume (l)	delivery method	Price
ACTIVA 150 (L)	8410000	1500×900	200	S	290 €
ACTIVA 150 (P)	8400000	1500×900	200	S	290 €
ACTIVA 160 (L)	8430000	1600×900	210	S	306 €
ACTIVA 160 (P)	8420000	1600×900	210	S	306 €
ACTIVA 170 (L)	8170000	1700×900	280	S	326 €
ACTIVA 170 (P)	8180000	1700×900	280	S	326 €
Front PANEL 150	8400001	height=580	-	S	186 €
Front PANEL 160	8420001	height=580	-	S	191 €
Front PANEL 170	8170001	height=580	-	S	199 €

■ panel for ACTIVA bathtub



ACTIVA	L	W	H	G	G1	D	R	P	L1	E	F	Z	Z1	Z2
1495×895	1495	895	465	330	240	1000	45	580	800	1430	570	210	340	230
1595×895	1595	895	465	330	240	1200	45	580	850	1500	570	210	340	230
1695×895	1695	895	475	330	240	1250	45	580	950	1570	570	210	340	230

MINI

asymmetric corner acrylic bathtub

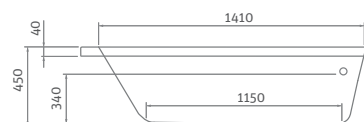
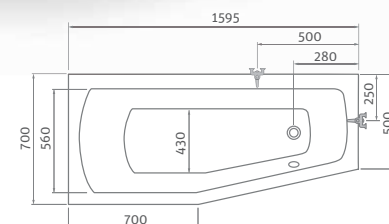
160×70



recommended accessories
legs EXCLUSIVE or VARIO
page 231



AC BAE, NV BAE, PX BFX



MINI

type	ordering No.	dimension (mm)	volume (l)	delivery method	Price
MINI 160×70 (L)	N-8000073	1600×700	210	S	171 €
MINI 160×70 (P)	N-8000074	1600×700	210	S	171 €

EVA SIDE

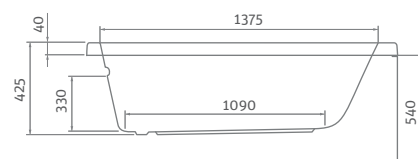
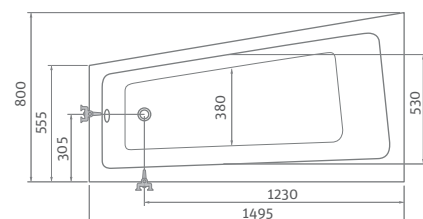
asymmetric corner acrylic bathtub

150×80

■ EVA SIDE bathtub
with front and side panels



recommended accessories
legs EXCLUSIVE or VARIO
page 231



EVA SIDE

type	ordering No.	dimension (mm)	volume (l)	delivery method	Price
EVA SIDE 150×80 (L)	9780000	1500×800	200	S	288 €
EVA SIDE 150×80 (P)	9790000	1500×800	200	S	288 €
Front PANEL 150 (L)	9780001	height=540	-	S	143 €
Front PANEL 150 (P)	9790001	height=540	-	S	143 €
Side PANEL 55	9780002	height=540	-	S	122 €

Bathtubs

acrylic

ISABELLA NEO

asymmetric corner acrylic bathtub

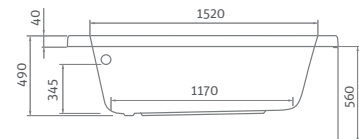
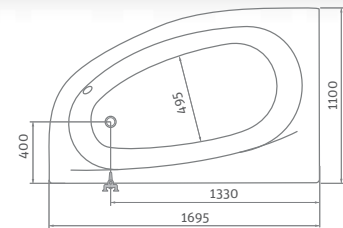
170×110



recommended accessories
legs EXCLUSIVE or VARIO
page 231

ISABELLA NEO					
type	ordering No.	dimension (mm)	volume (l)	delivery method	Price
ISABELLA NEO 170 (L)	9700000	1700×1100	240	S	404 €
ISABELLA NEO 170 (P)	9710000	1700×1100	240	S	404 €
front PANEL 170 (L)	9700001	height=570	-	S	184 €
front PANEL 170 (P)	9710001	height=570	-	S	184 €

■ panel for ISABELLA NEO bathtub



HARMONIA

asymmetric corner acrylic bathtub

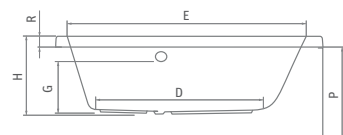
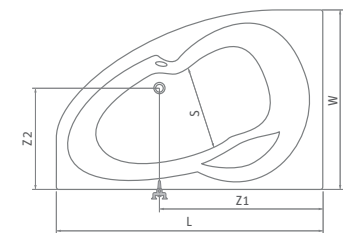
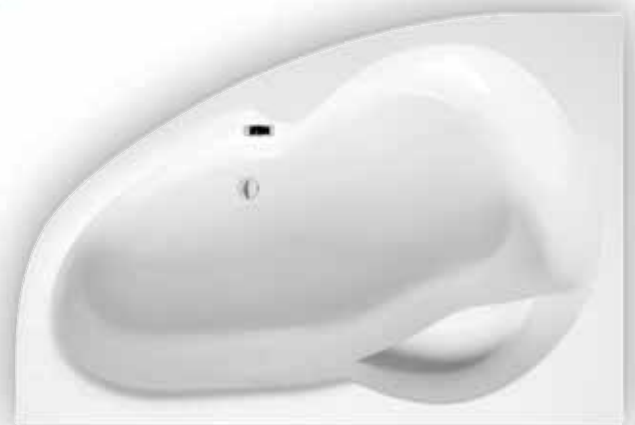
150×95 / 160×95



recommended accessories
legs EXCLUSIVE or VARIO
page 231

HARMONIA					
type	ordering No.	dimension (mm)	volume (l)	delivery method	Price
HARMONIA 150 (L)	9800000	1500×950	200	S	296 €
HARMONIA 150 (P)	9810000	1500×950	200	S	296 €
HARMONIA 160 (L)	9820000	1600×950	225	S	328 €
HARMONIA 160 (P)	9830000	1600×950	225	S	328 €
Front PANEL 150	9800001	height=560	-	S	153 €
Front PANEL 160	9820001	height=560	-	S	153 €

HARMONIA	L	W	H	G	D	R	P	S	E	Z1	Z2
1495×950	1495	950	450	330	1050	40	560	440	1390	905	515
1595×950	1595	950	470	335	1205	40	560	475	1490	965	515



ACTIVA NEO

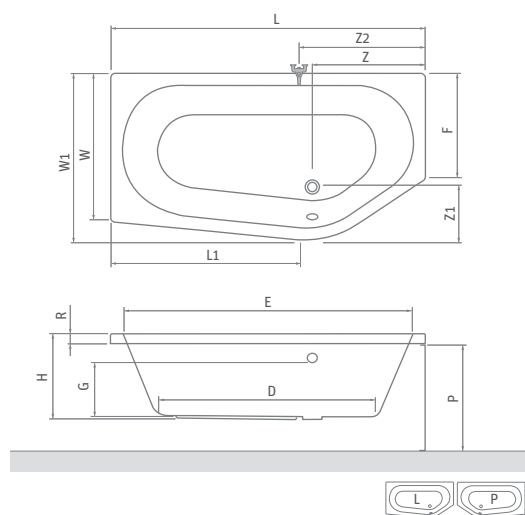
spacious asymmetric corner bathtub

150×90 / 160×90 / 170×90



recommended accessories
legs EXCLUSIVE or VARIO
page 231

ACTIVA NEO					
type	ordering No.	dimension (mm)	volume (l)	delivery method	Price
ACTIVA NEO 150 (L)	9840000	1500×900	210	S	270 €
ACTIVA NEO 150 (P)	9850000	1500×900	210	S	270 €
ACTIVA NEO 160 (L)	9860000	1600×900	215	S	285 €
ACTIVA NEO 160 (P)	9870000	1600×900	215	S	285 €
ACTIVA NEO 170 (L)	9880000	1700×900	230	S	312 €
ACTIVA NEO 170 (P)	9890000	1700×900	230	S	312 €
Front PANEL 150	9840001	height=570	-	S	176 €
Front PANEL 160	9860001	height=570	-	S	207 €
Front PANEL 170	9880001	height=570	-	S	212 €



New design of ACTIVA NEO bathtub provides maximum space to enjoy a comfortable bath even in smaller bathrooms!

ACTIVA NEO	L	W1	W	H	G	D	R	P	L1	E	F	Z	Z1	Z2
1500×900	1500	900	800	460	350	1000	40	570	850	1380	560	530	300	550
1600×900	1600	900	800	460	350	1100	40	570	980	1480	560	530	300	550
1700×900	1600	900	800	460	350	1150	40	570	1060	1580	560	530	300	550

Bathtubs

acrylic

KUBIC

ASYMMETRIC

asymmetric corner acrylic bathtub

160×103 / 170×110

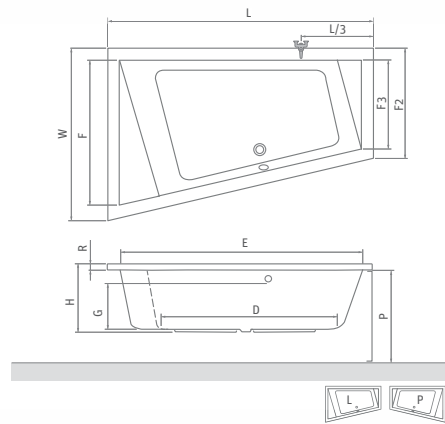


recommended accessories
legs EXCLUSIVE or VARIO
page 231



KUBIC ASYMMETRIC					
type	ordering No.	dimension (mm)	volume (l)	delivery method	Price
KUBIC ASYMMETRIC 160 (L)	9660000	1600×1030	220	S	326 €
KUBIC ASYMMETRIC 160 (P)	9670000	1600×1030	220	S	326 €
KUBIC ASYMMETRIC 170 (L)	9680000	1700×1100	240	S	379 €
KUBIC ASYMMETRIC 170 (P)	9690000	1700×1100	240	S	379 €
Front PANEL 160	9660001	height=520	-	S	192 €
Front PANEL 170	9680001	height=520	-	S	200 €

KUBIC ASYM.	L	W	H	G	D	R	P	E	F	F2	F3
1595×1025	1595	1025	450	320	950	50	520	1450	870	630	500
1695×1095	1695	1095	450	320	1050	50	520	1550	940	700	570



AMORE

rectangular acrylic bathtub for two persons

180×120



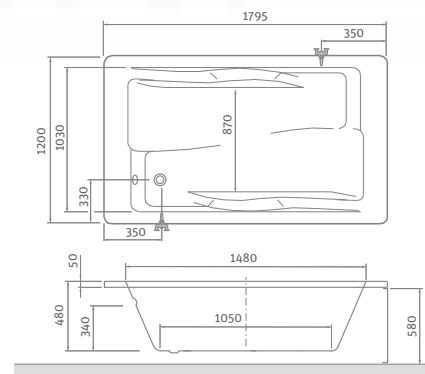
we recommend to order
2 × set of legs EXCLUSIVE
or VARIO page 231



AC BAE, AC BAF, AP BF, NV BAE,
NV BAF, NP BAF, CI BAE, CI BAF,
CI 2PL/R, PX BFX, LLV2, LLVB,



AMORE					
type	ordering No.	dimension (mm)	volume (l)	delivery method	Price
AMORE	9720000	1800×1200	300	S	653 €
Front PANEL 180	9720001	1800×580	-	S	141 €
Side PANEL 120	9720002	1200×580	-	S	122 €



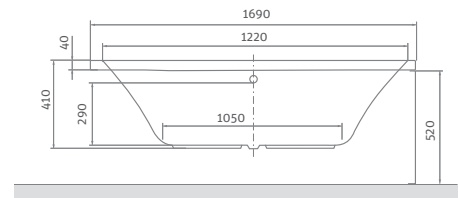
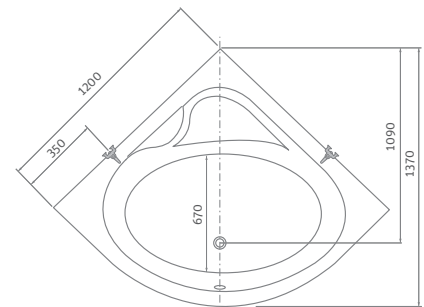
FLORA NEO

corner acrylic bathtub

120×120



recommended accessories
legs EXCLUSIVE or VARIO
page 231



FLORA NEO

type	ordering No.	dimension (mm)	volume (l)	delivery method	Price
FLORA NEO 120	9590000	1200×1200	140	S	326 €
Front PANEL 120	9590001	height=520	-	S	153 €

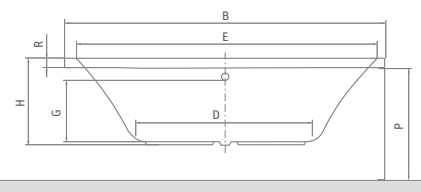
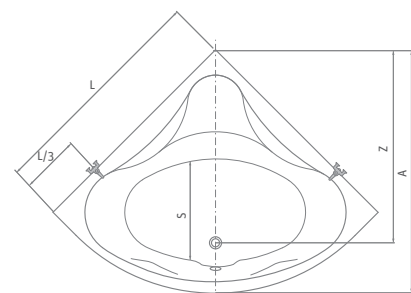
SABRINA NEO

corner acrylic bathtub

140×140 / 150×150



recommended accessories
legs EXCLUSIVE or VARIO
page 231



SABRINA NEO

type	ordering No.	dimension (mm)	volume (l)	delivery method	Price
SABRINA NEO 140	9620000	1400×1400	250	S	326 €
SABRINA NEO 150	9630000	1500×1500	320	S	367 €
Front PANEL 140	9620001	height=570	-	S	153 €
Front PANEL 150	9630001	height=570	-	S	153 €

SABRINA NEO	L	A	B	H	G	D	R	P	S	E	Z
1395×1395	1395	1410	1950	480	320	990	40	570	630	1370	1150
1495×1495	1495	1540	2100	480	320	1100	40	570	750	1600	1310

Bath screens
practical supplement

Bath screens



Do you need a practical bath screen? Fixed, with sliding door, opening or folding? Just pick ...





■ LLVB + LLV2

Bath screens Alina

practical supplement

convenient assembly
with pre-installed hinges



AC BAE

bath screen with a both-way opening

- height of the screen up to 1 700 mm
- we deliver the product as a **custom solution**, made exactly for your space
- RothETC glass surface treatment against the limescale



6 mm ESG Tempered glass
Transparent



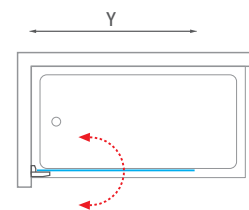
Colour
Brillant / Black / Brushed gold

AC BAE (custom-made bath screen with a both-way opening)

type	screen width (y)	height (h)	colour	glass	delivery method	Price
AC BAE AT1150	up to 1000 mm	up to 1500*	brillant	transparent	Z	997 €
AC BAE AT2170	up to 1000 mm	up to 1700*	brillant	transparent	Z	1 195 €
AC BAE AT1150	up to 1000 mm	up to 1500*	black	transparent	Z	997 €
AC BAE AT2170	up to 1000 mm	up to 1700*	black	transparent	Z	1 195 €
AC BAE AT1150	up to 1000 mm	up to 1500*	brushed gold	transparent	Z	1 096 €
AC BAE AT2170	up to 1000 mm	up to 1700*	brushed gold	transparent	Z	1 316 €

Optional surcharged cutouts, slopes, and other glass types. / h* - maximum glass height without anchoring elements

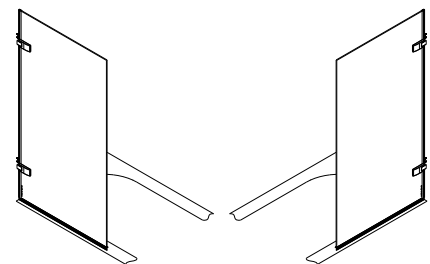
AC BAE



- The hinge for connection to the wall enables both-sided opening thanks to the 180° action radius.

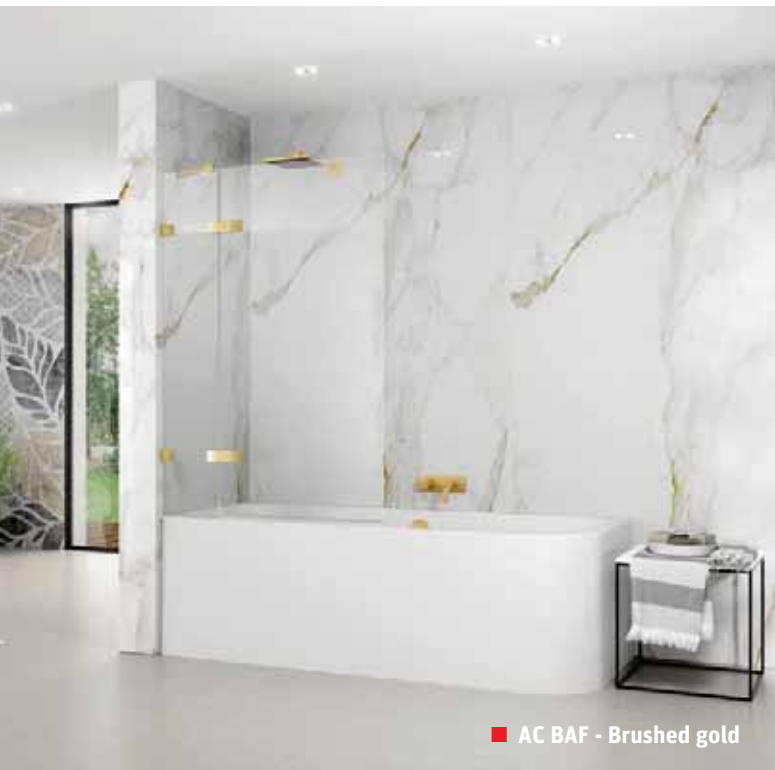
AC BAE / left

AC BAE / right



The product is CUSTOM-MADE specifically for your situation, so it is necessary to measure the space well and specify the order in terms of determining the product variants, their required dimensions within the possible range according to the table, determining the side (left and right variants) and any other requirements. The resulting price is calculated individually by the merchant.

3 variants of the colour design to choose from



■ AC BAF - Brushed gold

AC BAF

bath screen with a both-way opening and a fixed part

- we deliver the product as a **custom solution**, made exactly for your space
- height of the screen up to 1 700 mm
- RothETC glass surface treatment against the limescale



8 + 6 mm ESG Tempered glass
Transparent
8 mm fixed glass + 6 mm door glass



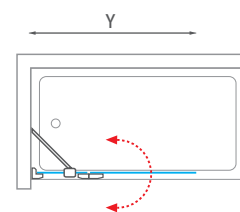
Colour
Brilliant / Black / Brushed gold

AC BAF (custom-made bath screen with a both-way opening and a fixed part)

type	screen width (y)	height (h)	colour	glass	delivery method	Price
AC BAF AT1150	up to 1500 mm	up to 1500*	brilliant	transparent	Z	1 298 €
AC BAF AT2170	up to 1500 mm	up to 1700*	brilliant	transparent	Z	1 558 €
AC BAF AT1150	up to 1500 mm	up to 1500*	black	transparent	Z	1 298 €
AC BAF AT2170	up to 1500 mm	up to 1700*	black	transparent	Z	1 558 €
AC BAF AT1150	up to 1500 mm	up to 1500*	brushed gold	transparent	Z	1 430 €
AC BAF AT2170	up to 1500 mm	up to 1700*	brushed gold	transparent	Z	1 716 €

Optional surcharged cutouts, slopes, and other glass types. / h* - maximum glass height without anchoring elements

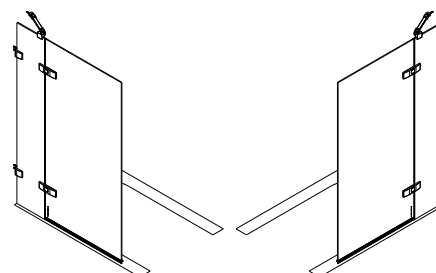
■ AC BAF



■ Bath screen AC BAF - Black

■ AC BAF / left

■ AC BAF / right



The product is CUSTOM-MADE specifically for your situation, so it is necessary to measure the space well and specify the order in terms of determining the product variants, their required dimensions within the possible range according to the table, determining the side (left and right variants) and any other requirements. The resulting price is calculated individually by the merchant.

Bath screens Alina

practical supplement

3 variants of the colour design to choose from



■ AP BFL - Brushed gold

AP BFL / AP BFR

bath screen with a both-way opening
with a fixed part with profile

- fittings with an action radius of 180° for convenient opening in and out
- **on request** - atypical solution available up to a height of 1700 mm
- RothETC glass surface treatment against the limescale



8 + 6 mm ESG Tempered glass
Transparent
8 mm fixed glass + 6 mm door glass

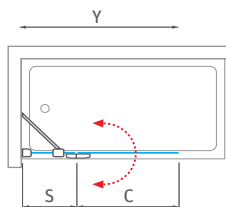


Colour
Brilliant / Black / Brushed gold

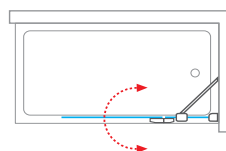
AP BFL / AP BFR (bath screen with a both-way opening with a fixed part with profile)

type	ordering No. for left screen AP BFL	ordering No. for right screen AP BFR	installation width (y)	height (h)	door width (c)	side part width (s)	colour	glass	delivery method	Price
AP BFL/R - Brilliant variants										
AP BF. / 750	AP BFL 075150 VPE	AP BFR 075150 VPE	741-759	1500	500	223-241	brilliant	transparent	Z	1 628 €
AP BF. / 800	AP BFL 080150 VPE	AP BFR 080150 VPE	791-809	1500	550	223-241	brilliant	transparent	Z	1 628 €
AP BF. / 900	AP BFL 090150 VPE	AP BFR 090150 VPE	891-809	1500	650	223-241	brilliant	transparent	Z	1 628 €
AP BF. / 1000	AP BFL 100150 VPE	AP BFR 100150 VPE	991-1009	1500	750	223-241	brilliant	transparent	Z	1 719 €
AP BFL/R - Black variants										
AP BF. / 750	AP BFL 075150 NPE	AP BFR 075150 NPE	741-759	1500	500	223-241	black	transparent	Z	1 628 €
AP BF. / 800	AP BFL 080150 NPE	AP BFR 080150 NPE	791-809	1500	550	223-241	black	transparent	Z	1 628 €
AP BF. / 900	AP BFL 090150 NPE	AP BFR 090150 NPE	891-809	1500	650	223-241	black	transparent	Z	1 628 €
AP BF. / 1000	AP BFL 100150 NPE	AP BFR 100150 NPE	991-1009	1500	750	223-241	black	transparent	Z	1 719 €
AP BFL/R - Brushed gold variants										
AP BF. / 750	AP BFL 075150 GPE	AP BFR 075150 GPE	741-759	1500	500	223-241	brushed gold	transparent	Z	1 790 €
AP BF. / 800	AP BFL 080150 GPE	AP BFR 080150 GPE	791-809	1500	550	223-241	brushed gold	transparent	Z	1 790 €
AP BF. / 900	AP BFL 090150 GPE	AP BFR 090150 GPE	891-809	1500	650	223-241	brushed gold	transparent	Z	1 790 €
AP BF. / 1000	AP BFL 100150 GPE	AP BFR 100150 GPE	991-1009	1500	750	223-241	brushed gold	transparent	Z	1 893 €

■ AP BFL

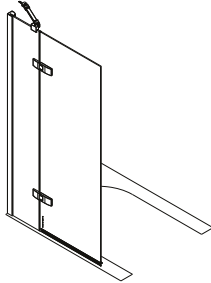


■ AP BFR

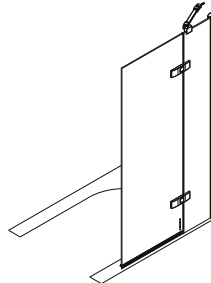




■ AP BFL / left



■ AP BFR / right



■ Design hinge in Black finish

NEW



■ Bath screen AP BFR - Brillant

Bath screens Novira

practical supplement

practical bath screen solution with RothETC glass treatment

NEW



■ NV BAER - Black matt

NV BAEL / R

bath screen with a both-way opening

- variants available in three attractive colours
- **on request** - atypical solution available up to a height of 1700 mm
- convenient entry thanks to both-way opening in and out



8 mm ESG Tempered glass
Transparent



Colour
Brilliant / Black matt / Brushed gold



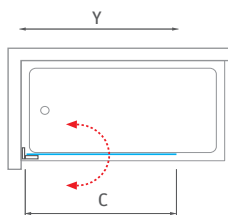
NV BAEL / NV BAER (bath screen with a both-way opening) **NOVELTY**
available from 08/2026

type	ordering No. for left screen NV BAEL	ordering No. for right screen NV BAER	installation width (y)	height (h)	entrance width (c)	profile	glass	delivery method	Price
NV BAEL/R - Brilliant variants									
NV BAE. / 700	NV BAEL 070150 VPE	NV BAER 070150 VPE	685	1500	635	brilliant	transparent	Z	471 €
NV BAE. / 800	NV BAEL 080150 VPE	NV BAER 080150 VPE	785	1500	735	brilliant	transparent	Z	496 €
NV BAEL/R - Black matt variants									
NV BAE. / 700	NV BAEL 070150 NPE	NV BAER 070150 NPE	685	1500	635	black matt	transparent	Z	471 €
NV BAE. / 800	NV BAEL 080150 NPE	NV BAER 080150 NPE	785	1500	735	black matt	transparent	Z	496 €
NV BAEL/R - Brushed gold variants									
NV BAE. / 700	NV BAEL 070150 4PE	NV BAER 070150 4PE	685	1500	635	brushed gold	transparent	Z	670 €
NV BAE. / 800	NV BAEL 080150 4PE	NV BAER 080150 4PE	785	1500	735	brushed gold	transparent	Z	707 €

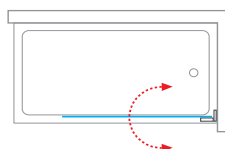
NV BAEL / NV BAER (atypical customized solution)

type	width (y)	height (h)	profile	glass	delivery method	Price
NV BAEL / R	up to 1000 mm	up to 1500 mm	brilliant / black matt	transparent	Z	on request
NV BAEL / R	up to 1000 mm	up to 1500 mm	brushed gold	transparent	Z	on request

■ NV BAEL



■ NV BAER



■ NV BAEL - Brushed gold

high-quality hinge design
with a lifting mechanism

NEW



■ NV BAFR - Brushed gold

NV BAFL / R

bath screen with a both-way opening
with a fixed part

- on request - atypical solution available up to a height of 1700 mm
- safety glass with RothETC treatment
- both-way opening bath screen for easy access to the bathtub



8 mm ESG Tempered glass
Transparent



Colour
Brillant / Black matt / Brushed gold

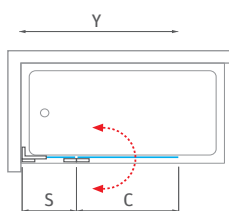
NV BAFL / NV BAFR (bath screen with a both-way opening with a fixed part) NOVELTY available from 08/2026

type	ordering No.	installation width (y)	height (h)	entrance width (c)	side part width (s)	profile	glass	delivery method	Price
NV BAFL/R - Brillant variants									
NV BAFL / 1000	NV BAFL 100150 VPE	978-990	1500	585	360-372	brillant	transparent	Z	761 €
NV BAFR / 1000	NV BAFR 100150 VPE	978-990	1500	585	360-372	brillant	transparent	Z	761 €
NV BAFL/R - Black matt variants									
NV BAFL / 1000	NV BAFL 100150 NPE	978-990	1500	585	360-372	black matt	transparent	Z	761 €
NV BAFR / 1000	NV BAFR 100150 NPE	978-990	1500	585	360-372	black matt	transparent	Z	761 €
NV BAFL/R - Brushed gold variants									
NV BAFL / 1000	NV BAFL 100150 4PE	978-990	1500	585	360-372	brushed gold	transparent	Z	1 099 €
NV BAFR / 1000	NV BAFR 100150 4PE	978-990	1500	585	360-372	brushed gold	transparent	Z	1 099 €

NV BAFL / NV BAFR (atypical customized solution)

type	width (y)	height (h)	profile	glass	delivery method	Price
NV BAFL / R	up to 1400 mm	up to 1500 mm	brillant / black matt	transparent	Z	on request
NV BAFL / R	up to 1400 mm	up to 1500 mm	brushed gold	transparent	Z	on request

■ NV BAFL



■ NV BAFR



■ Fixed panel anchoring with an angular support brace – Black Matt variant.

Bath screens Novira practical supplement

wall profile to increase
installation variability

NEW



■ NP BAFL - Brillant

NP BAFL / R

bath screen with a both-way opening
with a fixed part with profile

- on request - atypical solution available up to a height of 1700 mm
- hinges are embedded from inside to the glass level for better convenience when cleaning
- RothETC glass surface treatment against the limescale



8 mm ESG Tempered glass
Transparent



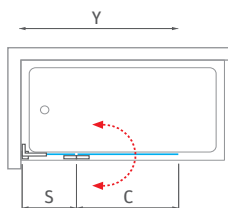
Profile colour
Brillant / Black matt / Brushed gold

NP BAFL / NP BAFLR (bath screen with a both-way opening with a fixed part with profile)									NOVELTY available from 08/2026
type	ordering No.	installation width (y)	height (h)	entrance width (c)	side part width (s)	profile	glass	delivery method	Price
NP BAFL/R - Brillant variants									
NP BAFL / 1000	NP BAFL 100150 VPE	970-990	1500	585	360-380	brillant	transparent	Z	759 €
NP BAFLR / 1000	NP BAFLR 100150 VPE	970-990	1500	585	360-380	brillant	transparent	Z	759 €
NP BAFL/R - Black matt variants									
NP BAFL / 1000	NP BAFL 100150 NPE	970-990	1500	585	360-380	black matt	transparent	Z	759 €
NP BAFLR / 1000	NP BAFLR 100150 NPE	970-990	1500	585	360-380	black matt	transparent	Z	759 €
NP BAFL/R - Brushed gold variants									
NP BAFL / 1000	NP BAFL 100150 4PE	970-990	1500	585	360-380	brushed gold	transparent	Z	1 096 €
NP BAFLR / 1000	NP BAFLR 100150 4PE	970-990	1500	585	360-380	brushed gold	transparent	Z	1 096 €



NP BAFL / NP BAFLR (atypical customized solution)						
type	width (y)	height (h)	profile	glass	delivery method	Price
NP BAFL / R	up to 1400 mm	up to 1500 mm	brillant / black matt	transparent	Z	on request
NP BAFLR / R	up to 1400 mm	up to 1500 mm	brushed gold	transparent	Z	on request

■ NP BAFL



■ NP BAFLR



■ Components of the NP BAFL screen
in Black Matt finish



Choose the right **bath screen** for your bathroom, thanks to which not a drop will fall on the floor when showering. The bathtub screen is an ideal solution in the bathroom, if you also use your bathtub for showering. Roth safety glass screens are not only practical, but also nicely designed. You can also choose from many types, such as with sliding doors and a fixed side wall or with opening on both sides.



■ Bath screen NP BAFR - Brushed gold

Bath screens

practical supplement

easy maintenance thanks
to the minimum of profiles



CI BAE

bath screen with a both-way opening

- both-way opening - inside / outside
- newly available variants in Black elox colour
- RothETC glass surface treatment against the limescale



6 mm ESG Tempered glass
Transparent



Profile colour
Brillant / Black elox

CI BAE (bath screen with a both-way opening)

type	ordering No.	installation width (y)	height (h)	width (c)	profile	glass	delivery method	Price
CI BAE/750	CI BAE 075150 VPE	740-765	1502*	665	brillant	transparent	0	241 €
CI BAE/750	CI BAE 075150 NPE	740-765	1502*	665	black elox	transparent	0	241 €

h* - height including supporting elements



CI BAE (atypical customized solution)

type	width (y)	height (h)	profile	glass	delivery method	Price
CI BAE	up to 1000 mm	up to 1500 mm	brillant / black elox	transparent	Z	on request
CI BAE	up to 1000 mm	up to 1500 mm	brillant / black elox	rauch	Z	on request
CI BAE	up to 1000 mm	up to 1500 mm	brillant / black elox	satinato	Z	on request



- **CI BAE**
universal LEFT and RIGHT solution



- Lifting mechanism for easy opening in polished aluminium - Brillant

innovated lifting mechanism for opening



CI BAF

bath screen with a both-way opening and a fixed part

- minimalist design without frame
- newly available variants in Black elox colour
- both-way opening



6 mm ESG Tempered glass
Transparent



Profile colour
Brillant / Black elox



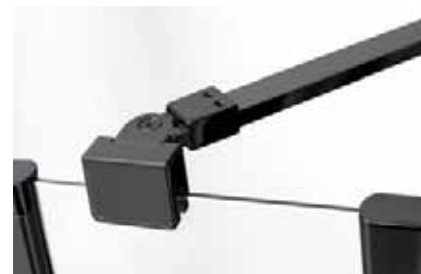
CI BAF (bath screen with a both-way opening)

type	ordering No.	installation width (y)	height (h)	width (c)	width (s)	profile	glass	delivery method	Price
CI BAF/1000	CI BAF 110150 VPE	990-1015	1523*	570	420-445	brillant	transparent	0	297 €
CI BAF/1000	CI BAF 110150 NPE	990-1015	1523*	570	420-445	black elox	transparent	0	297 €

h* - height including supporting elements

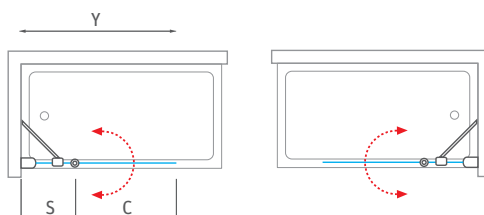
CI BAF (atypical customized solution)

type	width (y)	height (h)	profile	glass	delivery method	Price
CI BAF	up to 1800 mm	up to 1500 mm	brillant / black elox	transparent	Z	on request
CI BAF	up to 1800 mm	up to 1500 mm	brillant / black elox	rauch	Z	on request
CI BAF	up to 1800 mm	up to 1500 mm	brillant / black elox	satinato	Z	on request



■ Stable support bar of the fixed part - Black elox

- **CI BAF**
universal LEFT and RIGHT solution



Bath screens

practical supplement

quality processing
to the last detail



CI 2PL / CI 2PR

**folding bath screen
with a pivot wall system**

- profile with quality lifting mechanism for easy opening
- door hinges are embedded from inside to the glass level for better convenience when cleaning
- RothETC glass surface treatment against the limescale



6 mm ESG Tempered glass
Transparent



Profile colour
Brillant

CI 2PL / CI 2PR (folding bath screen)									
type	ordering No.	installation width (y)	height (h)	width (c1)	width (c2)	profile	glass	delivery method	Price
CI 2PL/1000	CI 2PL 100150 VPE	980-1005	1502*	446	459	brillant	transparent	0	386 €
CI 2PL/1200	CI 2PL 120150 VPE	1180-1205	1502*	546	559	brillant	transparent	0	402 €
CI 2PR/1000	CI 2PR 100150 VPE	980-1005	1502*	446	459	brillant	transparent	0	386 €
CI 2PR/1200	CI 2PR 120150 VPE	1180-1205	1502*	546	559	brillant	transparent	0	402 €

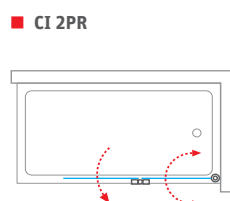
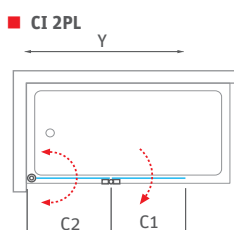


h* - height including supporting elements

CI 2PL / CI 2PR (atypical customized solution)						
type	width (y)	height (h)	profile	glass	delivery method	Price
CI 2PL / CI 2PR	up to 1600 mm	up to 1500 mm	brillant	transparent	Z	on request
CI 2PL / CI 2PR	up to 1600 mm	up to 1500 mm	brillant	rauch	Z	on request
CI 2PL / CI 2PR	up to 1600 mm	up to 1500 mm	brillant	satinato	Z	on request



■ Design hinge in chrome finish



solution for your bathroom
in a simple design

NEW

PX BFX

fixed bath screen

- safety glass with RothETC treatment
- support bar in a finish matching the selected variant
- 2 color options available



■ PX BFX - Black matt



6 mm ESG Tempered glass
Transparent



Profile colour
Brilliant / Black matt

PX BFX (fixed bath screen)

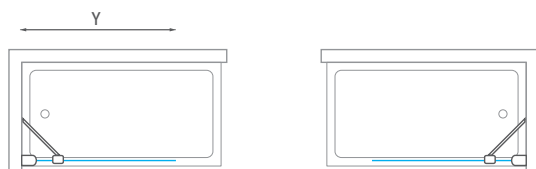
type	ordering No.	installation width (y)	height (h)	profile	glass	delivery method	Price
PX BFX - Brilliant variants							
PX BFX/700	PX BFX 070150 VPE	635–660	1517*	brilliant	transparent	S	193 €
PX BFX/750	PX BFX 075150 VPE	685–710	1517*	brilliant	transparent	S	205 €
PX BFX/800	PX BFX 080150 VPE	735–760	1517*	brilliant	transparent	S	210 €
PX BFX - Black matt variants							
PX BFX/700	PX BFX 070150 NPE	635–660	1517*	black matt	transparent	S	193 €
PX BFX/750	PX BFX 075150 NPE	685–710	1517*	black matt	transparent	S	205 €
PX BFX/800	PX BFX 080150 NPE	735–760	1517*	black matt	transparent	S	210 €

h* - height including supporting elements

PX BFX (atypical customized solution)

type	width (y)	height (h)	profile	glass	delivery method	Price
PX BFX	up to 1100 mm	up to 1500 mm	brilliant / black matt	transparent	Z	on request

- PX BFX - universal LEFT and RIGHT solution



- A flexible support bar – shown here in the Brilliant finish – ensures perfect stability.



Bath screens

practical supplement

polished profiles
and quality rollers



LLV2

bath screen with sliding door

- aluminium profiles and ball bearing rollers
- RothETC glass surface treatment
- all installation options:
along the wall, to a corner or to a niche



5 + 4 mm ESG Tempered glass
Transparent
5 mm door glass + 4 mm fixed panel



Profile colour
Brillant



LLV2 (bath screen with sliding door)

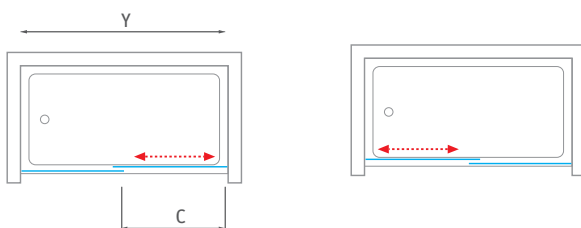
type	ordering No.	installation width (y)	height (h)	entrance (c)	profile	glass	delivery method	Price
LLV2/1200	572-1200000-00-02	1170-1205	1500	485	brillant	transparent	S	338 €
LLV2/1400	572-1400000-00-02	1370-1405	1500	585	brillant	transparent	S	349 €
LLV2/1500	572-1500000-00-02	1470-1505	1500	585	brillant	transparent	S	360 €
LLV2/1600	572-1600000-00-02	1570-1605	1500	685	brillant	transparent	S	372 €

LLV2 (atypical customized solution)

type	width (y)	height (h)	profile	glass	delivery method	Price
LLV2	up to 1800 mm	up to 1500 mm	brillant	transparent	Z	on request



- LLV2 - universal LEFT and RIGHT solution



- Handle underlines the decent design of the series

technical solution
underlines the style



LLVB

bath side panel for LLV2

- safety glass with RothETC treatment
- standard height 1 500 mm



5 + 4 mm ESG Tempered glass
Transparent
5 mm door glass + 4 mm fixed panel



Profile colour
Brillant

LLVB (side panel)

type	ordering No.	installation width (y)	height (h)	profile	glass	delivery method	Price
LLVB/700	573-7000000-00-02	679-705	1500	brillant	transparent	S	186 €
LLVB/750	573-7500000-00-02	729-755	1500	brillant	transparent	S	197 €
LLVB/800	573-8000000-00-02	779-805	1500	brillant	transparent	S	209 €
LLVB/900	573-9000000-00-02	879-905	1500	brillant	transparent	S	220 €

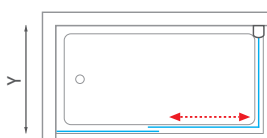


LLVB (atypical customized solution)

type	width (y)	height (h)	profile	glass	delivery method	Price
LLVB	do 900 mm	up to 1500 mm	brillant	transparent	Z	on request

- LLVB - universal LEFT and RIGHT solution

■ LLV2 + LLVB

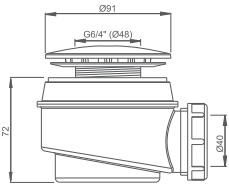


■ LLVB + LLV2 + LLVB

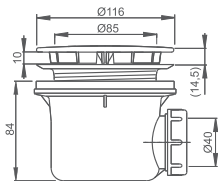


Accessories for trays and bathtubs

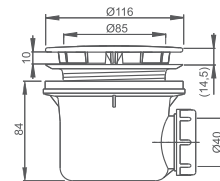
Shower tray siphons



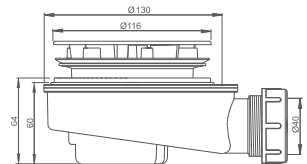
■ chrome-plastic Ø 50/60



■ chrome-plastic Ø 90



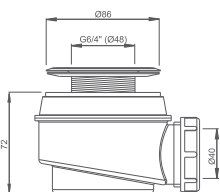
■ metal lux Ø 90



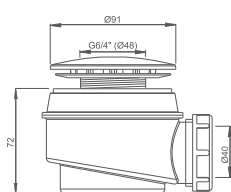
■ reduced chrome plastic Ø 90

Shower tray siphons

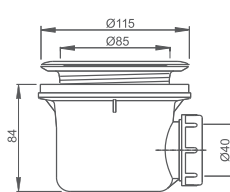
type	ordering No.	delivery method	Price
SHOWER TRAY SIPHON - CHROME-PLASTIC Ø 50/60	8100002	S	12 €
SHOWER TRAY SIPHON - CHROME-PLASTIC Ø 90	8100016	S	19 €
SHOWER TRAY SIPHON - METAL LUX Ø 90	8100021	S	29 €
SHOWER TRAY SIPHON REDUCED - CHROME-PLASTIC Ø 90	8100034	S	19 €
SHOWER TRAY SIPHON - ST. STEEL GRID Ø 50/60	8100000	S	10 €
SHOWER TRAY SIPHON - WHITE PLASTIC Ø 50/60	8100001	S	11 €
SHOWER TRAY SIPHON - ST. STEEL GRID Ø 90	8100014	S	15 €
SHOWER TRAY SIPHON - WHITE PLASTIC Ø 90	8100015	S	16 €



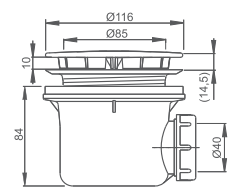
■ st. steel grid Ø 50/60



■ white plastic Ø 50/60

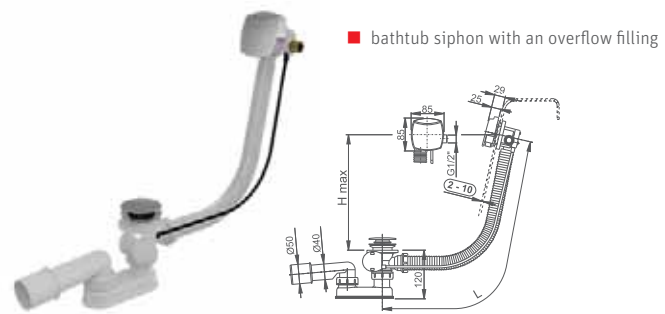
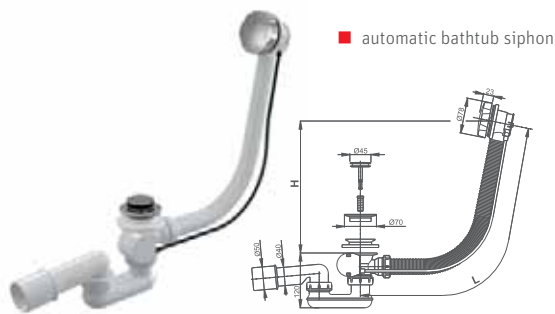


■ st. steel grid Ø 90



■ white plastic Ø 90

Bathtub siphons



Bathtub siphons			
type	ordering No.	delivery method	Price
BATHTUB SIPHON COMPLETE - METAL (L=570 mm)	8100011	S	30 €
BATHTUB SIPHON WITH AN OVERFLOW FILLING (L=570 mm)	8100022	S	118 €

Bathtub legs EXCLUSIVE

Recommended as a supporting element to ensure a simple way to level the bathtub before its sub-walling and cladding. Part of the leg package is also a set of mounts for fixing the bathtub to the wall.

Legs adjustability: 12–18 cm



Bathtub legs			
type	ordering No.	delivery method	Price
BATHTUB LEGS EXCLUSIVE	5139300	S	19 €

Bathtub legs VARIO

To make it easier to position the bathtub, we now offer VARIO bathtub legs with a wider range of adjustability. You can simply level the bathtub before its sub-walling and cladding. Part of the leg package is also a set of mounts for fixing the bathtub to the wall.

Legs adjustability: 10–21 cm



Bathtub legs			
type	ordering No.	delivery method	Price
BATHTUB LEGS VARIO	5140100	S	16 €

Mounting kit for shower trays

Tray sealing system recommended by a producer.

CONTENTS: silicone sealant PROFI – 310ml
covering strip 2×100 cm
self adhesive plastic foam belt
mounting instructions



Mounting kit			
type	ordering No.	delivery method	Price
MOUNTING KIT FOR TRAYS	8010142	S	29 €

Special cleaners for surfaces care

Recommended agents for cleaning and renewing the surface of shower trays and bathtubs with regard to their material.
SOLID SURFACE CLEANER - designed for cast marble surfaces
ACRYLIC CLEANER - designed for acrylic shower trays and bathtubs

VOLUME: 500 ml



Cleaner for shower trays and bathtubs			
type	ordering No.	delivery method	Price
SOLID SURFACE CLEANER	5139820	S	22 €
ACRYLIC CLEANER	5139830	S	22 €

Vinata®
shower cabins



CORNER



NICHE

Vinata®

Safe, comfortable and carefree solutions
for every generation

Vinata is designed specifically for the needs of people who no longer want to repeat the lengthy renovation of the bathroom while still wanting to replace the old bathtub with a safe and easily accessible shower. And all this without demanding construction work.

The cabine is a closed solution, so you just need to build it and connect it to the already established water and waste connection. Quality shower Hansgrohe set is part of the shower cabine.



Mounting
in 1 day only



High
safety



Equipment
Hansgrohe

Vinata®

comfortable



Hansgrohe

shower set with
thermostatic mixer

RothETC

all glasses
coated
for easy
maintenance

Design

glass and brilliant
aluminum finish

Seat

Large, folding
and elegantly designed
for maximum comfort

Handles

massive and safe
underline of the whole
solution

Safety

anti-slip finish of the tray
meets the requirements
of DIN 51097

Easy access

extra flat shower tray - height 3 cm
sliding doors with entry width 44.5-69.5 cm *

* according to the size of the complete cabine

Comfortable and Safe

shower cabine, which will appreciate not only seniors



Installation

- Corner or niche installation options
- Possibility to install the tray directly on the tiles (floor)
- Supporting adjustable legs are included, including a cover system



Vinata® Comfort

- Complete shower cabine with sliding doors
- Height - 2 160 mm
- Width - 4 variants from 1 200 to 1 700 mm
- Depth - 3 variants from 700 to 900 mm
- Cast marble tray with certified non-slip finish and low step on edge (30 mm)
- Hansgrohe shower set - thermostatic faucet, height-adjustable holder, hand shower, shelf
- Solid Safe Handle 2 pcs (for 1 200 mm - 1 piece)
- 6 mm safety glass back panels in two colors White / Anthracite
- 6 mm safety glass sliding door in two designs Transparent / Flow
- All glasses are coated with **RothETC** for better protection against limescale
- As standard: practical footrest shelf ideal for legs or foot care in the shower
- Optional: Arsis seat set with spacious seat in White / Anthracite



■ Glass design FLOW

Vinata®

comfortable

Vinata® Spirit

- Complete shower cabine with sliding doors
- Height - 2 160 mm
- Width - 4 variants from 1 200 to 1 700 mm
- Depth - 3 variants from 700 to 900 mm
- Cast marble tray with low step on edge - 30 mm
- Complete Hansgrohe shower set
thermostatic faucet, height-adjustable holder,
hand shower, shelf
- Solid Safe Handle 2 pcs
(for 1 200 mm - 1 piece)
- 6 mm safety glass back panels
in two colors White / Anthracite
- 6 mm safety glass sliding door
in two designs Transparent / Flow
- All glasses are coated with **RothETC**
for better protection against limescale



**Comfortable
shower cabine**
for the whole
family



- Glass design FLOW






Installation

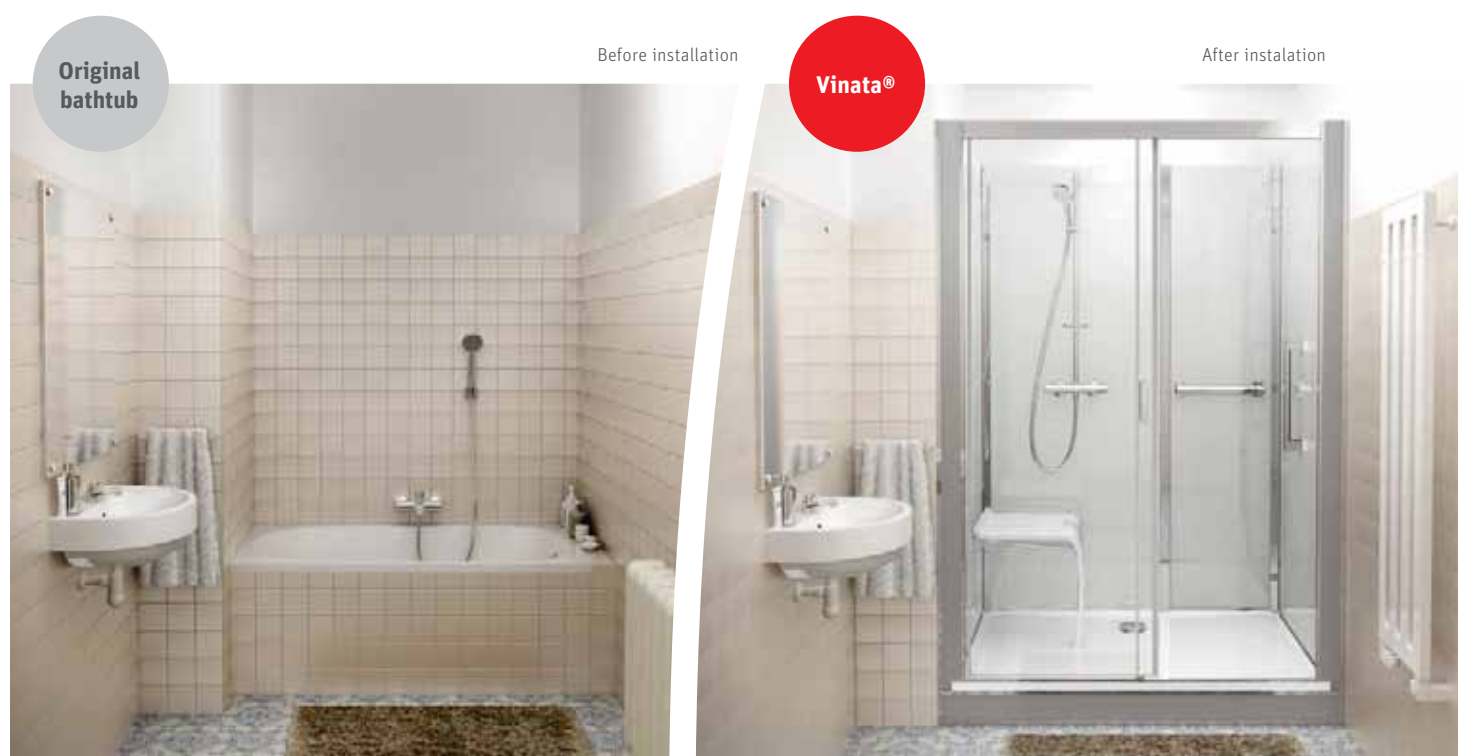


- Corner or niche installation options
- Possibility to install the tray directly on the tiles (floor)
- Supporting adjustable legs are included, including
a cover system



Specifications	Comfort	Spirit
Glass sliding door in Transparent or Flow design	✓	✓
Back glass walls in White or Anthracite	✓	✓
Sliding doors and rear walls treated with anti-scale RothETC	✓	✓
All glasses made from safety glass ESG - thickness 6 mm	✓	✓
Cast marble tray with low step on edge - 30 mm	✓	✓
Shower tray surface with certified anti-slip finish	✓	-
Solid internal handles in chrome finish 2 pcs (for model 1 200 mm - 1 piece)	✓	-
Shower set with thermostatic faucet Cromo Select E 	✓	✓
Options for installation in a corner or for installation in a niche	✓	✓
3 variants of width from 1 200 to 1 700 mm	✓	✓
3 variants of depth from 700 to 900 mm	✓	✓
"Footrest" shelf Pellet 	✓	-
Foldable shower seat - optional 	✓*	-

* must be ordered separately



Vinata®

equipment / accessories

Complete Hansgrohe shower set

- Hand shower, shower thermostat, shower hose, slider, soap shelf
- Hand shower Croma Select E
- Adjustable head shower angle, current type - Rain
- Thermostat Ecostat Universal
- Safety lock at 40 ° C



Handles

- Elegant and design shape
- Elliptical tube for better grip (38 × 25 mm)
- Corrosion resistant
- The primary material is aluminum in brilliant finishing

Practical shelf

- Ideal for taking care of your legs or feet in the shower: no risk of slipping!
- It can be easily released to allow mounting of the ARSIS seat
- Multifunctional: also used for hygiene products
- Made of White / Anthracite polymer



ARSIS seat

- Cast 450 mm White or Anthracite Polymer Seat
- Aluminum construction (tube Ø 25 mm)
Locking position, lock resistant to unintentional movement
- Can be disconnected from the wall holder for easy cleaning
- Innovative and unique product:
can be released to allow the shelf to be mounted
- Large seat with elegant design for maximum comfort
- An ideal concept for conversion of shower into a safe area



Vinata® Comfort - corner

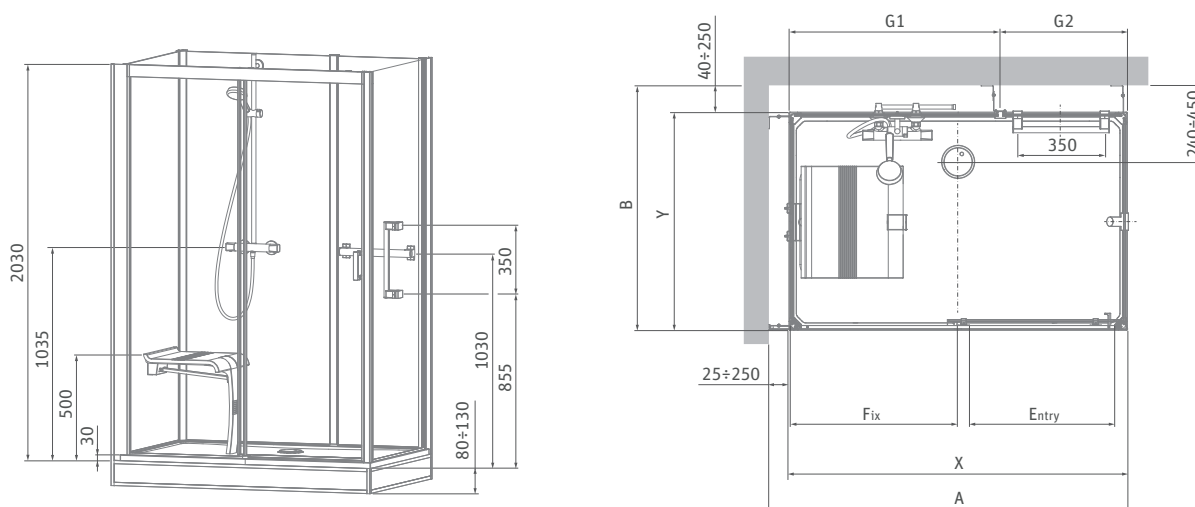
Technical specifications + price list



■ Technical specification Vinata® Comfort - corner

Height* [mm]	Dimension [mm]	ESG back Walls - White Sliding Door - Transparent		ESG back Walls - White Sliding Door - Flow		ESG back Walls - Anthracite Sliding Door - Transparent		ESG back Walls - Anthracite Sliding Door - Flow	
		Ordering number	Price (without VAT)	Ordering number	Price (without VAT)	Ordering number	Price (without VAT)	Ordering number	Price (without VAT)
2160	1160 × 677	1416000297	3 046 €	1416000764	3 082 €	1416000299	3 046 €	1416000765	3 082 €
2160	1160 × 777	1416000301	3 136 €	1416000766	3 172 €	1416000303	3 136 €	1416000767	3 172 €
2160	1160 × 877	1416000305	3 226 €	1416000768	3 262 €	1416000307	3 226 €	1416000769	3 262 €
2160	1360 × 677	1416000309	3 148 €	1416000770	3 184 €	1416000311	3 148 €	1416000771	3 184 €
2160	1360 × 777	1416000313	3 238 €	1416000772	3 274 €	1416000315	3 238 €	1416000773	3 274 €
2160	1360 × 877	1416000013	3 329 €	1416000774	3 365 €	1416000016	3 329 €	1416000775	3 365 €
2160	1560 × 677	1416000317	3 332 €	1416000776	3 368 €	1416000319	3 332 €	1416000777	3 368 €
2160	1560 × 777	1416000321	3 422 €	1416000778	3 458 €	1416000323	3 422 €	1416000779	3 458 €
2160	1560 × 877	1416000325	3 512 €	1416000780	3 548 €	1416000327	3 512 €	1416000781	3 548 €
2160	1660 × 677	1416000329	3 422 €	1416000782	3 458 €	1416000331	3 422 €	1416000783	3 458 €
2160	1660 × 777	1416000333	3 512 €	1416000784	3 548 €	1416000335	3 512 €	1416000785	3 548 €
2160	1660 × 877	1416000337	3 602 €	1416000786	3 638 €	1416000339	3 602 €	1416000787	3 638 €

* from the bottom of the tray to the top of the shower



Dimension	X	Y	E	F	G1	G2	A	B
1160 × 677	1160	677	445	475	1160	-	1185-1410	717-927
1360 × 677	1360	677	545	675	850	510	1385-1610	717-927
1560 × 677	1560	677	645	875	850	710	1585-1810	717-927
1660 × 677	1660	677	695	975	850	810	1685-1910	717-927
1160 × 777	1160	777	445	475	1160	-	1185-1410	817-1027
1360 × 777	1360	777	545	675	850	510	1385-1610	817-1027
1560 × 777	1560	777	645	875	850	710	1585-1810	817-1027
1660 × 777	1660	777	695	975	850	810	1685-1910	817-1027
1160 × 877	1160	877	445	475	1160	-	1185-1410	917-1127
1360 × 877	1360	877	545	675	850	510	1385-1610	917-1127
1560 × 877	1560	877	645	875	850	710	1585-1810	917-1127
1660 × 877	1660	877	695	975	850	810	1685-1910	917-1127

Vinata® Comfort - niche

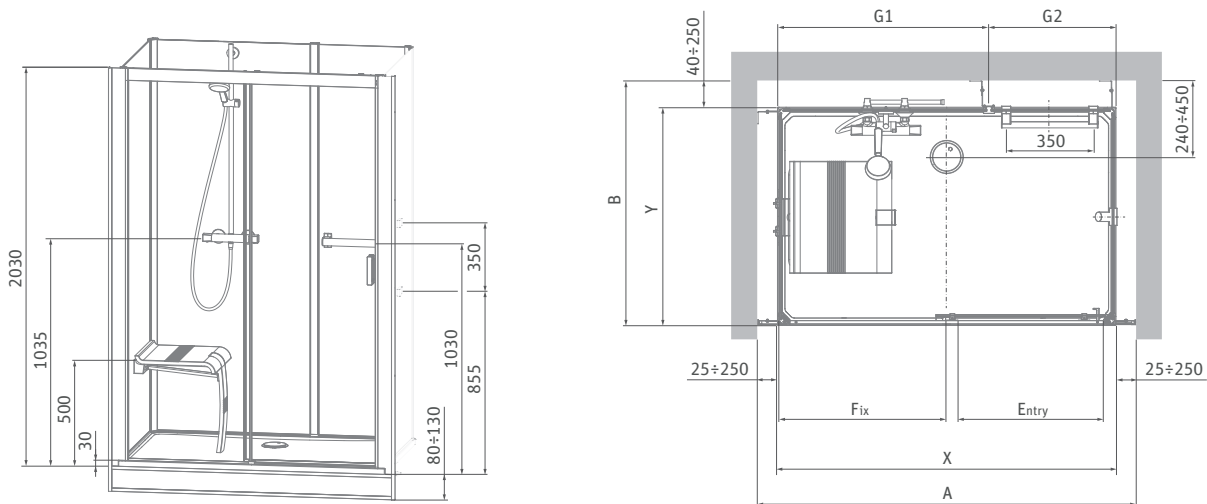
Technical specifications + price list



■ Technical specification Vinata® Comfort - niche

Height* [mm]	Dimension [mm]	ESG back Walls - White Sliding Door - Transparent		ESG back Walls - White Sliding Door - Flow		ESG back Walls - Anthracite Sliding Door - Transparent		ESG back Walls - Anthracite Sliding Door - Flow	
		Ordering number	Price (without VAT)	Ordering number	Price (without VAT)	Ordering number	Price (without VAT)	Ordering number	Price (without VAT)
2160	1160 × 677	1416000341	3 106 €	1416000788	3 142 €	1416000343	3 106 €	1416000789	3 142 €
2160	1160 × 777	1416000345	3 196 €	1416000790	3 232 €	1416000347	3 196 €	1416000791	3 232 €
2160	1160 × 877	1416000349	3 286 €	1416000792	3 323 €	1416000351	3 286 €	1416000793	3 323 €
2160	1360 × 677	1416000353	3 208 €	1416000794	3 244 €	1416000355	3 208 €	1416000795	3 244 €
2160	1360 × 777	1416000357	3 298 €	1416000796	3 335 €	1416000359	3 298 €	1416000797	3 335 €
2160	1360 × 877	1416000361	3 389 €	1416000798	3 425 €	1416000363	3 389 €	1416000799	3 425 €
2160	1560 × 677	1416000365	3 392 €	1416000800	3 428 €	1416000367	3 392 €	1416000801	3 428 €
2160	1560 × 777	1416000369	3 482 €	1416000802	3 518 €	1416000371	3 482 €	1416000803	3 518 €
2160	1560 × 877	1416000373	3 572 €	1416000804	3 608 €	1416000375	3 572 €	1416000805	3 608 €
2160	1660 × 677	1416000377	3 482 €	1416000806	3 518 €	1416000379	3 482 €	1416000807	3 518 €
2160	1660 × 777	1416000381	3 572 €	1416000808	3 608 €	1416000383	3 572 €	1416000809	3 608 €
2160	1660 × 877	1416000385	3 662 €	1416000810	3 698 €	1416000387	3 662 €	1416000811	3 698 €

* from the bottom of the tray to the top of the shower



Dimension	X	Y	E	F	G1	G2	A	B
1160 × 677	1160	677	445	475	1160	-	1210-1660	717-927
1360 × 677	1360	677	545	675	850	510	1410-1860	717-927
1560 × 677	1560	677	645	875	850	710	1610-2060	717-927
1660 × 677	1660	677	695	975	850	810	1710-2160	717-927
1160 × 777	1160	777	445	475	1160	-	1210-1660	817-1027
1360 × 777	1360	777	545	675	850	510	1410-1860	817-1027
1560 × 777	1560	777	645	875	850	710	1610-2060	817-1027
1660 × 777	1660	777	695	975	850	810	1710-2160	817-1027
1160 × 877	1160	877	445	475	1160	-	1210-1660	917-1127
1360 × 877	1360	877	545	675	850	510	1410-1860	917-1127
1560 × 877	1560	877	645	875	850	710	1610-2060	917-1127
1660 × 877	1660	877	695	975	850	810	1710-2160	917-1127

Vinata® Spirit - corner

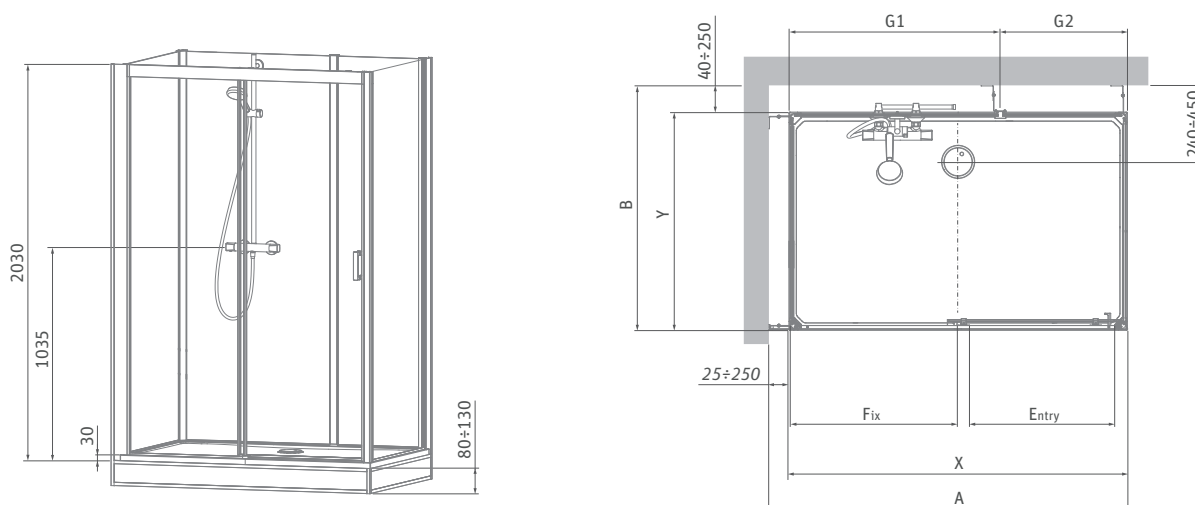
Technical specifications + price list



■ Technical specification Vinata® Spirit - corner

Height* [mm]	Dimension [mm]	ESG back Walls - White Sliding Door - Transparent		ESG back Walls - White Sliding Door - Flow		ESG back Walls - Anthracite Sliding Door - Transparent		ESG back Walls - Anthracite Sliding Door - Flow	
		Ordering number	Price (without VAT)	Ordering number	Price (without VAT)	Ordering number	Price (without VAT)	Ordering number	Price (without VAT)
2160	1160 × 677	1416000003	2 511 €	1416000620	2 547 €	1416000005	2 511 €	1416000621	2 547 €
2160	1160 × 777	1416000007	2 601 €	1416000622	2 637 €	1416000009	2 601 €	1416000623	2 637 €
2160	1160 × 877	1416000021	2 691 €	1416000624	2 727 €	1416000023	2 691 €	1416000625	2 727 €
2160	1360 × 677	1416000025	2 613 €	1416000626	2 649 €	1416000027	2 613 €	1416000627	2 649 €
2160	1360 × 777	1416000029	2 703 €	1416000628	2 739 €	1416000031	2 703 €	1416000629	2 739 €
2160	1360 × 877	1416000010	2 793 €	1416000630	2 829 €	1416000012	2 793 €	1416000631	2 829 €
2160	1560 × 677	1416000033	2 796 €	1416000632	2 832 €	1416000035	2 796 €	1416000633	2 832 €
2160	1560 × 777	1416000037	2 887 €	1416000634	2 923 €	1416000039	2 887 €	1416000635	2 923 €
2160	1560 × 877	1416000041	2 977 €	1416000636	3 013 €	1416000043	2 977 €	1416000637	3 013 €
2160	1660 × 677	1416000045	2 887 €	1416000638	2 923 €	1416000047	2 887 €	1416000639	2 923 €
2160	1660 × 777	1416000049	2 977 €	1416000640	3 013 €	1416000051	2 977 €	1416000641	3 013 €
2160	1660 × 877	1416000053	3 067 €	1416000642	3 103 €	1416000055	3 067 €	1416000643	3 103 €

* from the bottom of the tray to the top of the shower



Dimension	X	Y	E	F	G1	G2	A	B
1160 × 677	1160	677	445	475	1160	-	1185-1410	717-927
1360 × 677	1360	677	545	675	850	510	1385-1610	717-927
1560 × 677	1560	677	645	875	850	710	1585-1810	717-927
1660 × 677	1660	677	695	975	850	810	1685-1910	717-927
1160 × 777	1160	777	445	475	1160	-	1185-1410	817-1027
1360 × 777	1360	777	545	675	850	510	1385-1610	817-1027
1560 × 777	1560	777	645	875	850	710	1585-1810	817-1027
1660 × 777	1660	777	695	975	850	810	1685-1910	817-1027
1160 × 877	1160	877	445	475	1160	-	1185-1410	917-1127
1360 × 877	1360	877	545	675	850	510	1385-1610	917-1127
1560 × 877	1560	877	645	875	850	710	1585-1810	917-1127
1660 × 877	1660	877	695	975	850	810	1685-1910	917-1127

Vinata® Spirit - niche

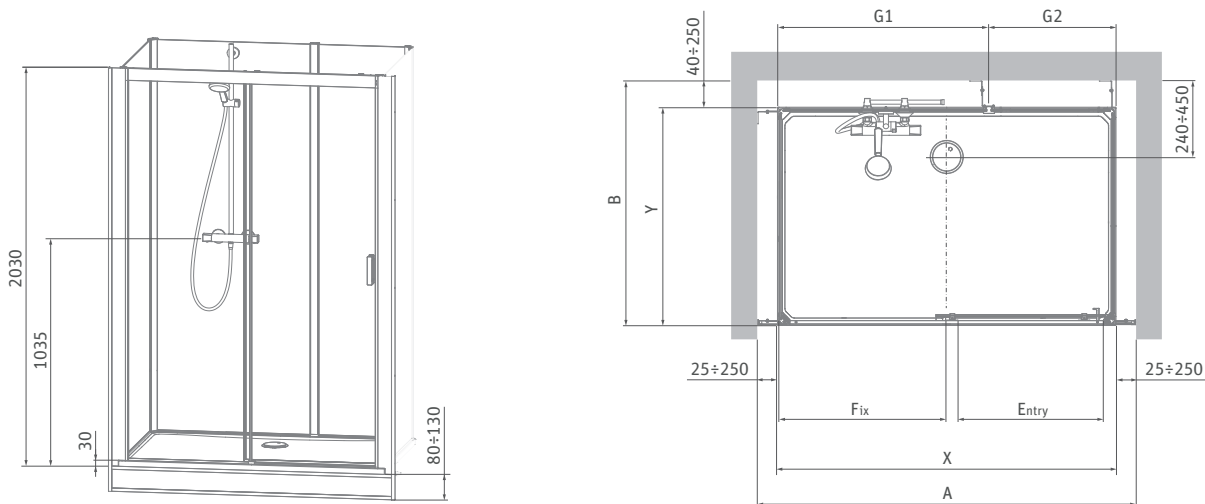
Technical specifications + price list



■ Technical specification Vinata® Spirit - niche

Height* [mm]	Dimension [mm]	ESG back Walls - White Sliding Door - Transparent		ESG back Walls - White Sliding Door - Flow		ESG back Walls - Anthracite Sliding Door - Transparent		ESG back Walls - Anthracite Sliding Door - Flow	
		Ordering number	Price (without VAT)	Ordering number	Price (without VAT)	Ordering number	Price (without VAT)	Ordering number	Price (without VAT)
2160	1160 × 677	1416000057	2 571 €	1416000644	2 607 €	1416000059	2 571 €	1416000645	2 607 €
2160	1160 × 777	1416000061	2 661 €	1416000646	2 697 €	1416000063	2 661 €	1416000647	2 697 €
2160	1160 × 877	1416000065	2 751 €	1416000648	2 787 €	1416000067	2 751 €	1416000649	2 787 €
2160	1360 × 677	1416000069	2 673 €	1416000650	2 709 €	1416000071	2 673 €	1416000651	2 709 €
2160	1360 × 777	1416000073	2 763 €	1416000652	2 799 €	1416000075	2 763 €	1416000653	2 799 €
2160	1360 × 877	1416000077	2 853 €	1416000654	2 890 €	1416000079	2 853 €	1416000655	2 890 €
2160	1560 × 677	1416000081	2 856 €	1416000656	2 893 €	1416000083	2 856 €	1416000657	2 893 €
2160	1560 × 777	1416000085	2 947 €	1416000658	2 983 €	1416000087	2 947 €	1416000659	2 983 €
2160	1560 × 877	1416000089	3 037 €	1416000660	3 073 €	1416000091	3 037 €	1416000661	3 073 €
2160	1660 × 677	1416000093	2 947 €	1416000662	2 983 €	1416000095	2 947 €	1416000663	2 983 €
2160	1660 × 777	1416000097	3 037 €	1416000664	3 073 €	1416000099	3 037 €	1416000665	3 073 €
2160	1660 × 877	1416000101	3 127 €	1416000666	3 163 €	1416000103	3 127 €	1416000667	3 163 €

* from the bottom of the tray to the top of the shower



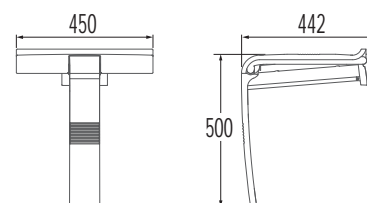
Dimension	X	Y	E	F	G1	G2	A	B
1160 × 677	1160	677	445	475	1160	-	1210-1660	717-927
1360 × 677	1360	677	545	675	850	510	1410-1860	717-927
1560 × 677	1560	677	645	875	850	710	1610-2060	717-927
1660 × 677	1660	677	695	975	850	810	1710-2160	717-927
1160 × 777	1160	777	445	475	1160	-	1210-1660	817-1027
1360 × 777	1360	777	545	675	850	510	1410-1860	817-1027
1560 × 777	1560	777	645	875	850	710	1610-2060	817-1027
1660 × 777	1660	777	695	975	850	810	1710-2160	817-1027
1160 × 877	1160	877	445	475	1160	-	1210-1660	917-1127
1360 × 877	1360	877	545	675	850	510	1410-1860	917-1127
1560 × 877	1560	877	645	875	850	710	1610-2060	917-1127
1660 × 877	1660	877	695	975	850	810	1710-2160	917-1127

Vinata® Comfort - accessories

Technical specifications + price list

■ **Technical specifications Vinata® seat**

Vinata® Comfort folding seat Roth			
Color	Dimension	Ordering number	Price (without VAT)
WHITE	442 × 450 × 500	1135009092	373 €
ANTRACITE	442 × 450 × 500	1135009093	373 €



■ **Vinata® seat - must be ordered separately, available only for Vinata® Comfort**



Vipanel
cladding panels

Inspiration
for individual
bathroom design

VIPANEL

Roth has been an expert in the bathroom industry for over 50 years and we are pleased to introduce our new VIPANEL wall panels, which easily adjust the shower area and bathroom in both new and refurbished areas.



Easy
installation



11 different
decors



Lightweight and durable
aluminium composite panels



VIPANEL

Make the old shower area a new quickly and easily!

- > for new construction and reconstruction
- > jointless cladding - easy maintenance
- > gives a new look to old tiles





■ Roth Vipanel - modern and innovative

Today's bathrooms are individually oriented towards their users. Whether it's the size of the room, its equipment or the overall look. With the new Roth Vipanel design boards, you can create your resting place easily and precisely by your ideas.

Large-format boards are lightweight and easy to stick to the wall. Whether on existing tiles for modernization and partial renovation, or directly on plaster (plasterboard) in new buildings.

There are no creative limits with Vipanel. So you can easily bring architectural and life trends into your bathroom.



VIPANEL

cladding panels in wood decor



- easy-care aluminum composite panels guarantee perfect tightness of the walls
- you can choose from three attractive wood decors

- Vipanel is very easy to clean thanks to its surface finish and in conjunction with jointless panel laying creates a perfectly clean environment for your shower space or the entire bathroom

■ Technical specifications Vipanel WOOD

Width [mm]	Height [mm]	Thickness [mm]	Area [m ²]	WOOD OAK E014238-00		WOOD MAPLE E013002-01		WOOD TEAK E016075-01	
				Order No.	Price (without VAT)	Order No.	Price (without VAT)	Order No.	Price (without VAT)
1 000	2 100	3	2,100	1420000000	230 €	1420000009	230 €	1420000005	230 €
1 500	2 550	3	3,825	1420000003	314 €	1420000011	314 €	1420000007	314 €

goods IN STOCK

delivery at the earliest possible date

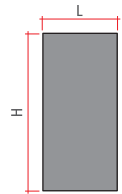


jointless
panel laying

• possibility of using the finishing bars

dimensions:

(L) 1 000 × (H) 2 100 mm
(L) 1 500 × (H) 2 550 mm



board thickness 3 mm



Wood - Oak

Wood - Maple

Wood - Teak



VIPANEL

cladding panels in stone decor



Stone - Grey



Stone - Beige



Stone - Black

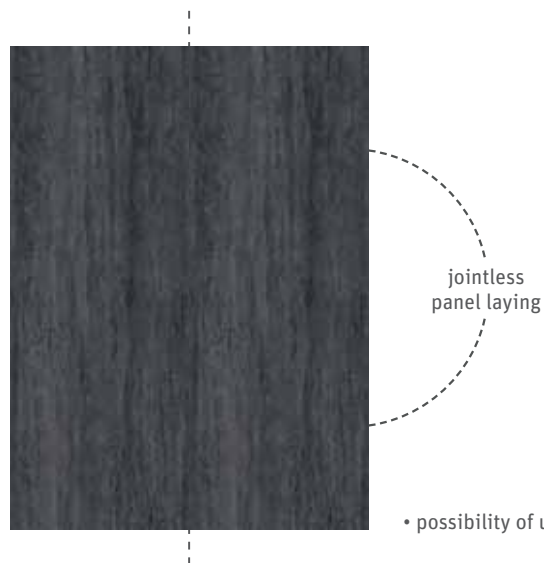
- with concrete decors you can easily replace large-format tiles
- we emphasize the design of patterns and surface textures that are indistinguishable from real materials thanks to special 3D technology

■ Technical specifications Vipanel STONE

Width [mm]	Height [mm]	Thickness [mm]	Area [m ²]	STONE BEIGE E017035-00		STONE GREY E017035-02		STONE BLACK E017088-05	
				Order No.	Price (without VAT)	Order No.	Price (without VAT)	Order No.	Price (without VAT)
1 000	2 100	3	2,100	1420000037	230 €	1420000033	230 €	1420000041	230 €
1 500	2 550	3	3,825	1420000039	314 €	1420000035	314 €	1420000043	314 €

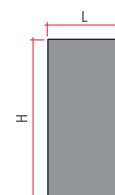
goods IN STOCK

delivery at the earliest possible date



• possibility of using the finishing bars

dimensions:
(L) 1 000 × (H) 2 100 mm
(L) 1 500 × (H) 2 550 mm



board thickness 3 mm



Stone - Beige

Stone - Grey

Stone - Black



VIPANEL

cladding panels in concrete decor



Concrete - Black



Concrete - Anthracite



Concrete - Grey

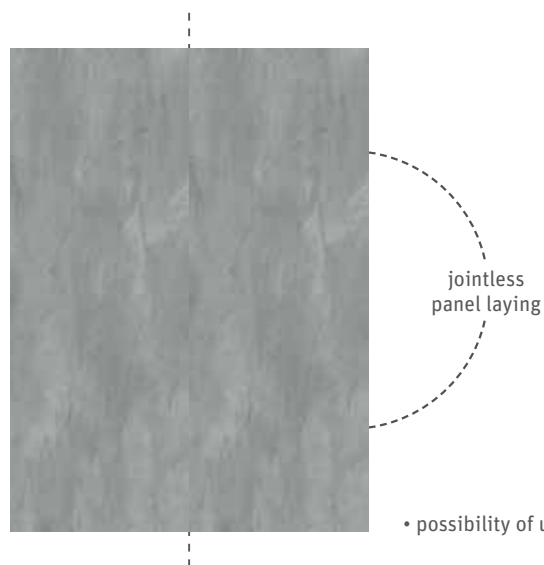
- the modern screed design can be easily transferred to your bathroom, with a choice of three shades
- Vipanel easily adapts to all bathroom configurations and offers a clean and jointless design thanks to installation with no profile

■ Technical specifications Vipanel CONCRETE

Width [mm]	Height [mm]	Thickness [mm]	Area [m ²]	CONCRETE BLACK E016076-02		CONCRETE ANTHRACITE E016077-01		CONCRETE GREY E014140-00	
				Order No.	Price (without VAT)	Order No.	Price (without VAT)	Order No.	Price (without VAT)
1 000	2 100	3	2,100	1420000029	230 €	1420000025	230 €	1420000021	230 €
1 500	2 550	3	3,825	1420000031	314 €	1420000027	314 €	1420000023	314 €

goods IN STOCK

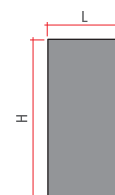
delivery at the earliest possible date



• possibility of using the finishing bars

dimensions:

(L) 1 000 × (H) 2 100 mm
(L) 1 500 × (H) 2 550 mm



board thickness 3 mm



Concrete - Black

Concrete - Anthracite

Concrete - Grey



VIPANEL

cladding panels in marble decor



Marble - Beige



Marble - White

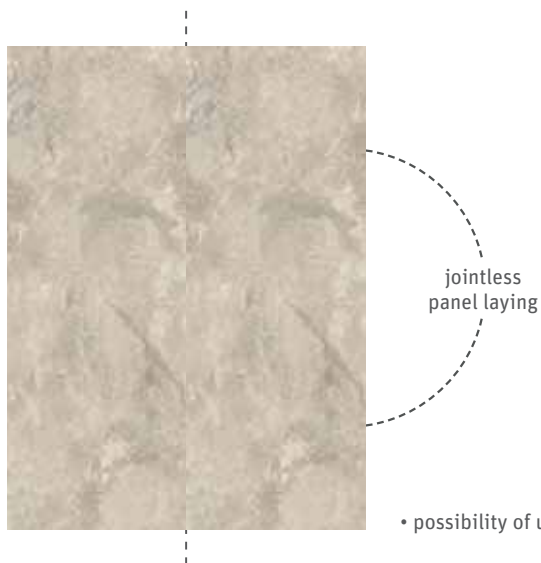
- construction boards have a thickness of three millimetres and are available in heights of 2100 and 2550 millimetres and widths of 1000 and 1500 millimetres
- the dimensions are easy to cut to any size, giving you a distinctive look of your bathroom
- by installation in a corner shower, niche, space above the bathtub, behind a shower or sink you will save your time and money

■ Technical specifications Vipanel MARBLE

Width [mm]	Height [mm]	Thickness [mm]	Area [m ²]	MARBLE BEIGE E017004-01		MARBLE WHITE E13073-00	
				Order No.	Price (without VAT)	Order No.	Price (without VAT)
1 000	2 100	3	2,100	1420000017	230 €	1420000013	230 €
1 500	2 550	3	3,825	1420000019	314 €	1420000015	314 €

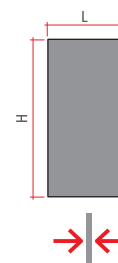
goods IN STOCK

delivery at the earliest possible date



• possibility of using the finishing bars

dimensions:
(L) 1 000 × (H) 2 100 mm
(L) 1 500 × (H) 2 550 mm



board thickness 3 mm

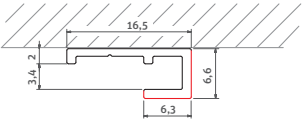
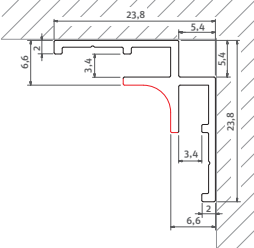
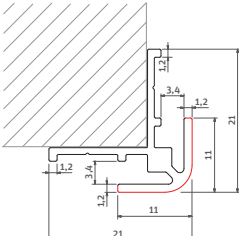
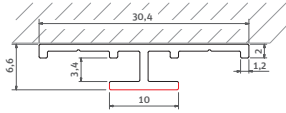


Marble - Beige

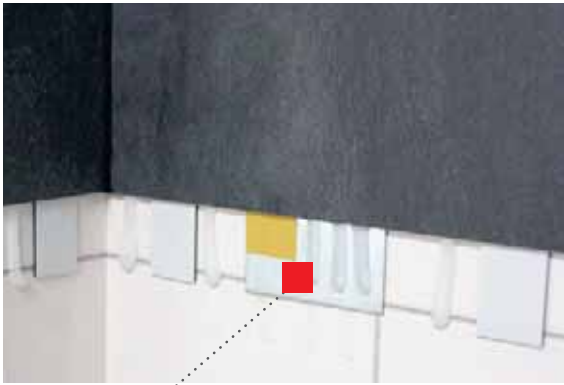
Marble - White



Vipanel

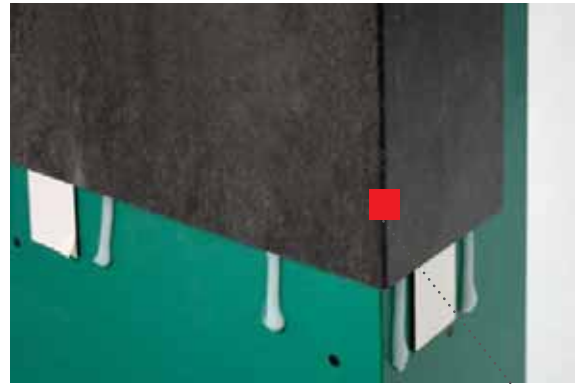
accessories

	Description	Dimensions	Colour	Accessories	
				Order No.	Price (without VAT)
1 	Finishing profile for 3 mm thick panels	height (length) 2 550 mm	Gloss "brillant"	PM FIN 2550 03 V	20 €
2 	Inner corner profile 90° angle for 3 mm thick panels	height (length) 2 550 mm	Gloss "brillant"	PM INT 2550 03 V	20 €
3 	Outer corner profile 90° angle for 3 mm thick panels	height (length) 2 550 mm	Gloss "brillant"	PM EXT 2550 03 V	20 €
4 	Connecting profile for 3 mm thick panels	height (length) 2 550 mm	Gloss "brillant"	PM LIA 2550 03 V	20 €
	Connecting steel plate a tool for ensuring a perfect jointless connection of two boards without the connection profile	height (length) 3 000 mm width 100 mm thickness 1 mm	natural	1420000050	44 €
	Magnetic clip a tool for ensuring a perfect jointless connection of two boards using a steel plate	—	—	1420000049	64 €



Connecting steel plate

a tool for ensuring a perfect jointless connection of two boards



Outer edge

created after milling the V-shaped groove on the back of the board

Inner corner profile

2

Connecting profile

4



1

Finishing profile

3

Outer corner profile

Technical data sheet Vipanel

Material

- Aluminum composite panel with two 0.2 mm thick cladding layers and LDPE polyethylene core
- Weight 3,80 kg / m² (3 mm)
- Temperature resistance from -50° C to +80° C
- Water absorption 0,01 % according to DIN 53495
- Fire classification class B2 according to DIN 4102-1
- High bending strength and dimensional stability

Working

Roth Vipanel can be machined using the usual tools for working with wood and metal (jigsaw, circular saw, cordless screwdriver with steel drill, top cutter, etc.)



WATERPROOF

DIN 53495



RESISTANCE

DIN 68861

Technical data / Mechanical properties

board thickness (total)	3 [mm]
thickness of cladding layer (aluminum)	0,2 - 0,3 [mm]
bending strength	865 [kNcm ² /m]
modulus of elasticity	70000 [N/mm ²]
linear expansion coefficient	2,4 [mm/m/100°C]
water absorption according to DIN 53495	0,01 [%]
weight	3,8 [kg/m ²]
tensile strength of the cover plate	RP 0,2 > 200 [N/mm ²]

Project Line project solutions

inspiration for unusual
shower area solutions

EI TWF

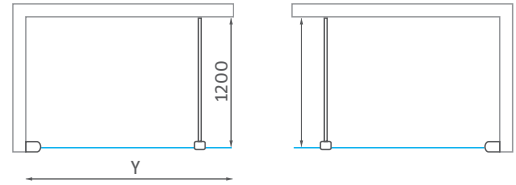
large frameless shower screen



6 mm ESG Tempered glass
Transparent



Profile colour
Brillant / Black elox



■ universal LEFT and RIGHT solution

EI TWF (large frameless shower screen)

type	ordering No. Brillant version	ordering No. Black elox version	installation width (y)	height (h)	profile	glass	delivery method	Price
EI TWF/800	EI TWF 08020 VPE	EI TWF 08020 NPE	770-790	2007*	brillant / black elox	transparent	S	184 €
EI TWF/900	EI TWF 09020 VPE	EI TWF 09020 NPE	870-890	2007*	brillant / black elox	transparent	S	204 €
EI TWF/1000	EI TWF 10020 VPE	EI TWF 10020 NPE	970-990	2007*	brillant / black elox	transparent	S	224 €
EI TWF/1200	EI TWF 12020 VPE	EI TWF 12020 NPE	1170-1190	2007*	brillant / black elox	transparent	S	245 €
EI TWF/1400	EI TWF 14020 VPE	EI TWF 14020 NPE	1370-1390	2007*	brillant / black elox	transparent	S	286 €

h* - height including supporting elements



■ EI TWF - Black elox



■ Support bar in Chrome / Brillant finish
(maximum length 1 200 mm)



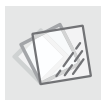
■ Flexible support bar allows the setting of different
angles and can solve the wall inaccuracies

EI TWA

folding part to product EI TWF in Brillant version



the short folding part serves as a screen against water splashes



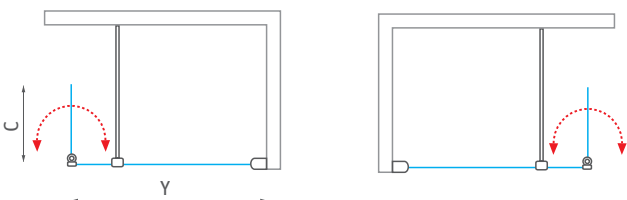
6 mm ESG Tempered glass
Transparent



Profile colour
Brillant



■ EI TWF + EI TWA - universal LEFT and RIGHT solution



EI TWA							
type	ordering No.	installation width (y)	height (h)	profile	glass	delivery method	Price
EI TWA/400	EI TWA 04020 VPE	390	2000	brillant	transparent	S	102 €
EI TWA/400	EI TWA 04020 NPE	390	2000	black elox	transparent	S	102 €

Project Line

project solutions

ARDIS

quadrant shower enclosure
with single opening door



6 mm ESG Tempered glass
Transparent + Printing



Profile colour
Brillant



JANDIS

quadrant shower enclosure
with single opening door

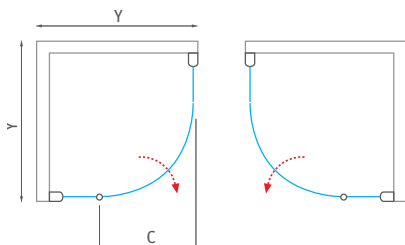
- R - standard radius R550
- Universal LEFT and RIGHT solution



6 mm ESG Tempered glass
Transparent



Profile colour
Black elox



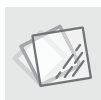
ARDIS / JANDIS

type	ordering No.	installation width (y)	height (h)	entrance width (c)	profile	glass	delivery method	Price
ARDIS 800	N0798	770-790	1950	640	brillant	printing	S	282 €
ARDIS 900	N0799	870-890	1950	640	brillant	printing	S	294 €
JANDIS 800	N0800	770-790	1950	640	black elox	transparent	S	266 €
JANDIS 900	N0801	870-890	1950	640	black elox	transparent	S	278 €

TALDIS / MUNDIS

lowered quadrant shower enclosure
with two sliding doors for combination
with SEMIDEEP NEO or VIKI LUX shower trays

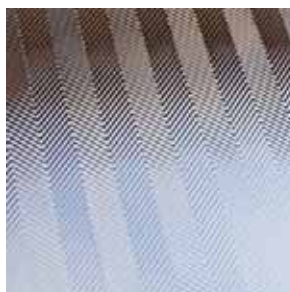
- R - standard radius R550
- Ball bearing rollers with bottom tilt function



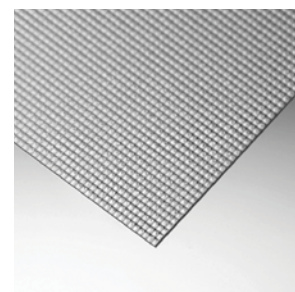
5 mm ESG Tempered glass
Matt glass / Tweed



Profile colour
Brillant



■ Tweed glass with embossed pattern



■ Matt glass with embossed pattern

TALDIS / MUNDIS

type	ordering No.	installation width (y)	height (h)	entrance width (c)	profile	glass	delivery method	Price
TALDIS 800	N0802	770-790	1650	400	brillant	matt glass	S	242 €
TALDIS 900	N0803	870-890	1650	524	brillant	matt glass	S	257 €
MUNDIS 800	N0804	770-790	1650	400	brillant	tweed	S	303 €
MUNDIS 900	N0805	870-890	1650	524	brillant	tweed	S	321 €



■ Design of the handle



Project Line

project solutions

ALBIS

quadrant shower enclosure
with two sliding doors

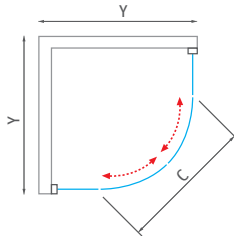
- R - standard radius R550
- Ball bearing rollers with bottom tilt function



5 mm ESG Tempered glass
Transparent / Matt glass / Tweed



Profile colour
Brillant



SUNDIS

square shower enclosure
with two sliding doors

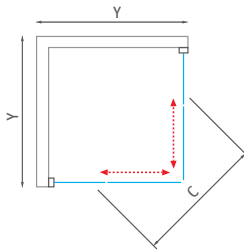
- Ball bearing rollers with bottom tilt function



5 mm ESG Tempered glass
Transparent / Matt glass / Tweed



Profile colour
Brillant

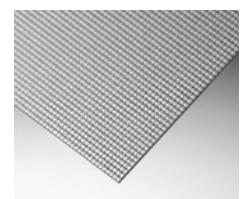


ALBIS / SUNDIS

type	ordering No.	installation width (y)	height (h)	entrance width (c)	profile	glass	delivery method	Price
ALBIS 800	N0776	770-790	1900	400	brillant	transparent	S	254 €
ALBIS 900	N0777	870-890	1900	524	brillant	transparent	S	271 €
ALBIS TWEED 800	N0790	770-790	1900	400	brillant	tweed	S	310 €
ALBIS TWEED 900	N0791	870-890	1900	524	brillant	tweed	S	326 €
ALBIS MATT 800	N0792	770-790	1900	400	brillant	matt glass	S	277 €
ALBIS MATT 900	N0793	870-890	1900	524	brillant	matt glass	S	294 €
SUNDIS 800	N0778	770-790	1900	423	brillant	transparent	S	253 €
SUNDIS 900	N0779	870-890	1900	494	brillant	transparent	S	268 €
SUNDIS TWEED 800	N0794	770-790	1900	423	brillant	tweed	S	308 €
SUNDIS TWEED 900	N0795	870-890	1900	494	brillant	tweed	S	324 €
SUNDIS MATT 800	N0796	770-790	1900	423	brillant	matt glass	S	275 €
SUNDIS MATT 900	N0797	870-890	1900	494	brillant	matt glass	S	292 €



■ Embossed Tweed glass



■ Embossed Matt glass

ALBIS BLACK

quadrant shower enclosure
with two sliding doors

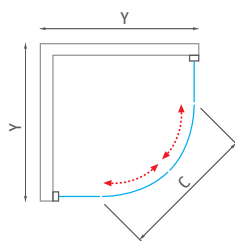
- R - standard radius R550
- Ball bearing rollers with bottom tilt function



5 mm ESG Tempered glass
Transparent



Profile colour
Black elox



SUNDIS BLACK

square shower enclosure
with two sliding doors

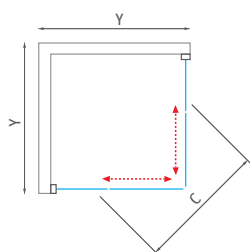
- Ball bearing rollers with bottom tilt function




5 mm ESG Tempered glass
Transparent



Profile colour
Black elox



ALBIS BLACK / SUNDIS BLACK								
type	ordering No.	installation width (y)	height (h)	entrance width (c)	profile	glass	delivery method	Price
ALBIS BLACK 800	N0786	770-790	1900	400	black elox	transparent	S	267 €
ALBIS BLACK 900	N0787	870-890	1900	524	black elox	transparent	S	284 €
SUNDIS BLACK 800	N0788	770-790	1900	423	black elox	transparent	S	266 €
SUNDIS BLACK 900	N0789	870-890	1900	494	black elox	transparent	S	282 €



Project Line
project solutions

OBR2

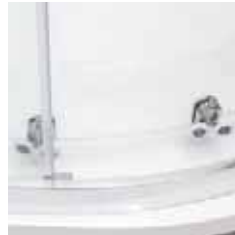
quadrant shower enclosure with two sliding doors



6 mm ESG Tempered glass
Transparent

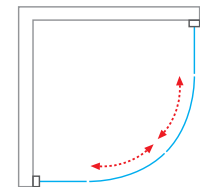


Profile colour
Brillant



OBR2								
type	ordering No.	installation width (y)	height (h)	entrance (c)	profile	glass	delivery method	Price
OBR2/800	4000701	775-790	1850	440	brillant	transparent	S	298 €
OBR2/900	4000702	875-890	1850	540	brillant	transparent	S	321 €

Ball bearing rollers with bottom tilt function / Standard radius: R 550 mm



OBS2

square shower enclosure with two sliding doors



6 mm ESG Tempered glass
Transparent

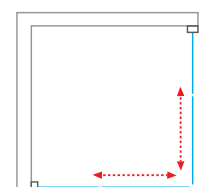


Profile colour
Brillant



OBS2								
type	ordering No.	installation width (y)	height (h)	entrance (c)	profile	glass	delivery method	Price
OBS2/800	4000703	775-790	1850	480	brillant	transparent	S	299 €
OBS2/900	4000704	875-890	1850	480	brillant	transparent	S	324 €

Ball bearing rollers with bottom tilt function



Project Line

project solutions

OBD2

sliding shower door to niche or for combination with a side panel OBB



6 mm ESG Tempered glass
Transparent



Profile colour
Brillant



OBD2								
type	ordering No.	installation width (y)	height (h)	entrance (c)	profile	glass	delivery method	Price
OBD2/1000	4000705	980-1010	1850	390	brillant	transparent	S	226 €
OBD2/1200	4000706	1180-1210	1850	490	brillant	transparent	S	253 €
OBD2/1400	4000707	1380-1410	1850	590	brillant	transparent	S	281 €

Ball bearing rollers with bottom tilt function / Universal LEFT and RIGHT solution



OBD01

single opening door to a niche or for combination with a side panel OBB



6 mm ESG Tempered glass
Transparent

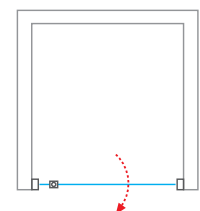


Profile colour
Brillant



OBD01								
type	ordering No.	installation width (y)	height (h)	entrance (c)	profile	glass	delivery method	Price
OBD01/800	4000708	780-810	1850	520	brillant	transparent	S	212 €
OBD01/900	4000709	880-910	1850	620	brillant	transparent	S	228 €
OBD01/1000	4000710	980-1010	1850	720	brillant	transparent	S	244 €

Universal LEFT and RIGHT solution



OBB

side panel for combination with OBD2 or OBD01 door



6 mm ESG Tempered glass
Transparent



Profile colour
Brillant

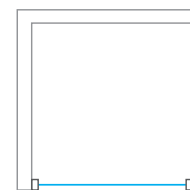
■ Installation width with OBD2 or OBD01

Combination	Installation width
OBD2/1000+OBB	985-1000
OBD2/1200+OBB	1185-1200
OBD2/1400+OBB	1385-1400
OBD01/800+OBB	785-800
OBD01/900+OBB	885-900
OBD01/1000+OBB	985-1000



OBB								
type	ordering No.	installation width (y)	height (h)	entrance (c)	profile	glass	delivery method	Price
OBB/800	4000711	785-800	1850	—	brillant	transparent	S	144 €
OBB/900	4000712	885-900	1850	—	brillant	transparent	S	156 €

Universal LEFT and RIGHT solution / OBB cannot be used as a self-standing side panel



Variants with black profile

OBZD2 / OBZB

sliding shower door to niche or for combination with a side panel OBZB



Project Line

project solutions

OBZD2

sliding shower door to niche or for combination with a side panel OBZB



8 mm ESG Tempered glass
Transparent



Profile colour
Brilliant / Black elox



OBZD2								
type	ordering No.	installation width (y)	height (h)	entrance (c)	profile	glass	delivery method	Price
OBZD2/1200	4000713	1180-1220	1950	490	brillant	transparent	S	339 €
OBZD2/1200	4000800	1180-1220	1950	490	black elox	transparent	S	383 €
OBZD2/1400	4000714	1380-1420	1950	590	brillant	transparent	S	371 €
OBZD2/1400	4000801	1380-1420	1950	590	black elox	transparent	S	420 €

Universal LEFT and RIGHT solution



OBZB

side panel for combination with OBZD2



8 mm ESG Tempered glass
Transparent



Profile colour
Brilliant / Black elox

■ Installation width with OBZD2

Combination	Installation width
OBZD2/1200+OBZB	1190-1210
OBZD2/1400+OBZB	1390-1410



■ OBZD2 + OBZB



OBZB								
type	ordering No.	installation width (y)	height (h)	entrance (c)	profile	glass	delivery method	Price
OBZB/800	4000715	780-800	1950	—	brillant	transparent	S	172 €
OBZB/800	4000802	780-800	1950	—	black elox	transparent	S	192 €
OBZB/900	4000716	880-900	1950	—	brillant	transparent	S	189 €
OBZB/900	4000803	880-900	1950	—	black elox	transparent	S	210 €

Universal LEFT and RIGHT solution / OBZB cannot be used as a self-standing side panel



■ OBZB

LD3

sliding shower door for niche installation

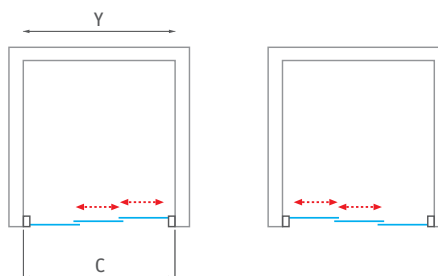


3 mm ESG Tempered glass
Grape
 3 mm polystyrol **Damp**



Profile colour
White

■ LD3 - universal LEFT and RIGHT solution



LD3 (sliding shower door)

type	ordering No.	installation width (y)	height (h)	entrance (c)	profile	glass	delivery method	Price
LD3/800	215-8000000-04-04	760-820	1800	400	white	damp	S	212 €
LD3/800	215-8000000-04-11	760-820	1800	400	white	grape	S	226 €
LD3/900	215-9000000-04-04	880-940	1800	480	white	damp	S	224 €
LD3/900	215-9000000-04-11	880-940	1800	480	white	grape	S	241 €
LD3/950	215-9500000-04-04	940-1000	1800	520	white	damp	S	233 €
LD3/950	215-9500000-04-11	940-1000	1800	520	white	grape	S	283 €



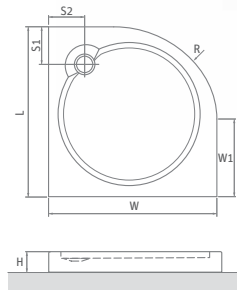
Project Line

project solutions

DREAM-P

quadrant self-supporting shower tray
made of coextruded shell with GREENSIR support

80×80 / 90×90



DREAM-P	L	W	H	S1	S2	W1	R	Ø
800×800	800	800	125	230	170	250	550	60
900×900	900	900	125	230	190	350	550	60



■ DREAM-P shower trays are delivered with a siphon drain

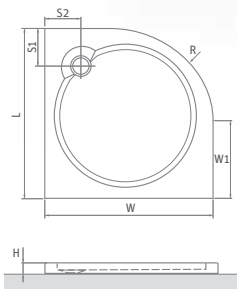
DREAM-P

type	ordering No.	dimension (mm)	delivery method	Price
DREAM-P 800	8000099	800×800×125, R550	S	122 €
DREAM-P 900	8000030	900×900×125, R550	S	143 €

DREAM FLAT

FLAT quadrant shower tray made of coextruded shell with GREENSIR support

80×80 / 90×90



DREAM FLAT	L	W	H	S1	S2	W1	R	Ø
800×800	800	800	60	230	170	250	550	60
900×900	900	900	60	230	190	350	550	60



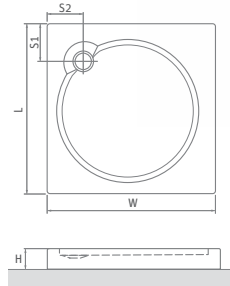
DREAM FLAT

type	ordering No.	dimension (mm)	delivery method	Price
DREAM FLAT 800	8000284	800×800×60, R550	S	112 €
DREAM FLAT 900	8000285	900×900×60, R550	S	122 €

ALOHA-P

square self-supporting shower tray
made of coextruded shell with GREENSIR support

80×80 / 90×90



■ ALOHA-P shower trays are delivered with a siphon drain

ALOHA-P	L	W	H	S1	S2	ϕ
800×800	800	800	125	200	195	60
900×900	900	900	125	185	180	60

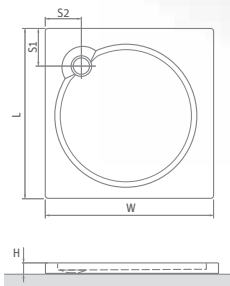
ALOHA-P

type	ordering No.	dimension (mm)	delivery method	Price
ALOHA-P 800	8000148	800×800×125	S	112 €
ALOHA-P 900	8000149	900×900×125	S	133 €

ALOHA FLAT

FLAT square shower tray made of coextruded shell with GREENSIR support

80×80 / 90×90



ALOHA FLAT	L	W	H	S1	S2	ϕ
800×800	800	800	60	200	195	60
900×900	900	900	60	185	180	60

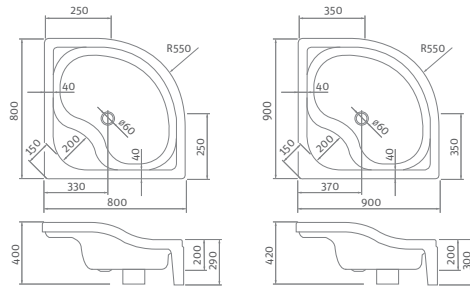
ALOHA FLAT

type	ordering No.	dimension (mm)	delivery method	Price
ALOHA FLAT 800	8000282	800×800×60	S	112 €
ALOHA FLAT 900	8000283	900×900×60	S	122 €

SEMIDEEP NEO

semideep quadrant self-supporting shower tray
reinforced with a GREENSIR technology

80×80 / 90×90



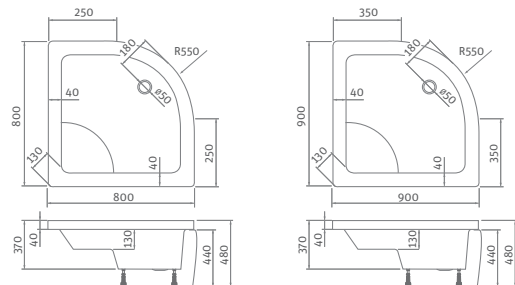
SEMIDEEP NEO					
type	ordering No.	dimension (mm)	description	delivery method	Price
SEMIDEEP NEO 800	8000197	800×800×290	self-supporting tray - monobloc	S	186 €
SEMIDEEP NEO 900	8000198	900×900×300	self-supporting tray - monobloc	S	204 €

- Delivered as MONOBLOC (with mounts to the wall)
- The package includes a DREAM-P siphon drain
- Height of tray: 290 (300) mm
- Depth of tray: 200 mm

VIKI LUX

deep quadrant shower tray
reinforced with a GREENSIR technology

80×80 / 90×90



VIKI LUX					
type	ordering No.	dimension (mm)	description	delivery method	Price
VIKI LUX 800	8000047	800×800×480	deep tray, adjustable legs,	S	306 €
VIKI LUX 900	8000046	900×900×480	removable front panel	S	326 €
TRAY SIPHON VIKI	8100009	-	siphon with a plastic plug	S	11 €
TRAY SIPHON VIKI LUX	8100033	-	siphon Click Clack - CHROME	S	40 €



CLASSIC PRO

rectangular acrylic bathtub

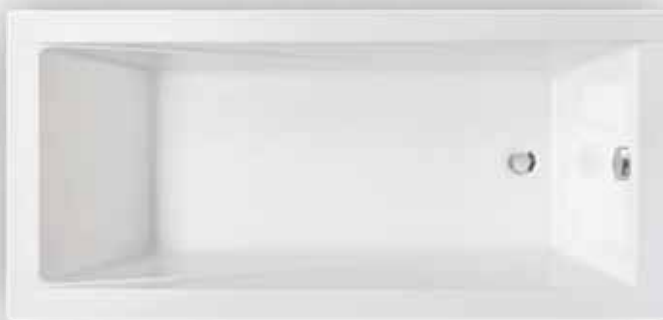
150×70 / 160×70 / 170×70



recommended accessories
legs EXCLUSIVE or VARIO
page 231



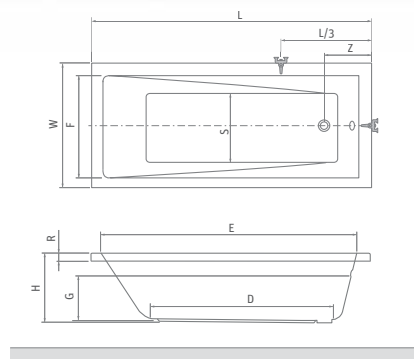
SCREEN, SCREEN PRO



CLASSIC PRO

type	ordering No.	dimension (mm)	volume (l)	delivery method	Price
CLASSIC PRO 150	9040000	1500×700	150	S	183 €
CLASSIC PRO 160	9050000	1600×700	160	S	192 €
CLASSIC PRO 170	9060000	1700×700	170	S	218 €

CLASSIC PRO	L	W	H	G	D	R	S	E	F	Z
1495×695	1495	695	390	295	1080	35	450	1350	555	235
1595×695	1595	695	395	300	1170	35	440	1435	545	230
1695×695	1695	695	390	295	1240	35	420	1540	540	250



SALVIA

rectangular acrylic bathtub

170×75



recommended accessories
legs EXCLUSIVE or VARIO
page 231



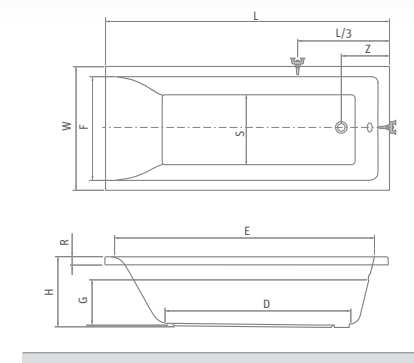
SCREEN, SCREEN PRO



SALVIA

type	ordering No.	dimension (mm)	volume (l)	delivery method	Price
SALVIA 170	5241000	1700×750	170	S	224 €

SALVIA	L	W	H	G	D	R	S	E	F	Z
1700×750	1700	750	405	315	1210	40	440	1565	615	280



Project Line

project solutions

TULLIP

asymmetric corner acrylic bathtub

150×100 / 160×100



recommended accessories
legs EXCLUSIVE or VARIO
page 231



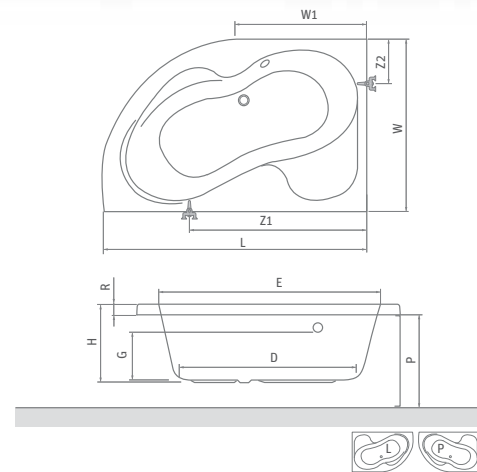
PXV1, SCREEN MINI



TULLIP

type	ordering No.	dimension (mm)	volume (l)	delivery method	Price
TULLIP 150 (L)	5157000	1500×1000	200	S	232 €
TULLIP 150 (P)	5158000	1500×1000	200	S	232 €
TULLIP 160 (L)	5159000	1600×1000	210	S	235 €
TULLIP 160 (P)	5161000	1600×1000	210	S	235 €
Front PANEL 150 (L)	5157002	height=570	-	S	214 €
Front PANEL 150 (P)	5157001	height=570	-	S	214 €
Front PANEL 160 (L)	5159002	height=570	-	S	221 €
Front PANEL 160 (P)	5159001	height=570	-	S	221 €

TULLIP	L	W	H	G	W1	D	R	P	E	Z1	Z2
1495×995	1495	995	460	330	700	1100	35	570	1390	1050	350
1595×995	1595	995	460	335	700	1200	35	570	1490	1120	350



SCREEN

bath screen with a both-way opening



6 mm ESG Tempered glass
Pattern



Profile colour
White



SCREEN PRO

bath screen with a both-way opening



4 mm ESG Tempered glass
Transparent

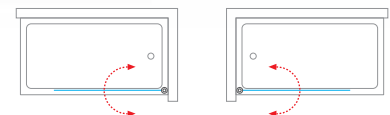


Profile colour
White



SCREEN / SCREEN PRO

type	ordering No.	installation width (y)	height (h)	profile	glass	delivery method	Price
SCREEN	4000222	750	1300	white	pattern	S	98 €
SCREEN PRO	4000688	810	1400	white	transparent	S	92 €



■ Universal LEFT and RIGHT solution

SIMPLE

basic quadrant model of the shower box



4 mm ESG Tempered glass
Transparent



Profile colour
White

- mechanical lever faucet
- spacing of water supply 150 mm
- sliding doors and shower complete
- self-supporting shower tray with siphon
- rear panels in Green Satinato colour

SIMPLE						
type	ordering No.	dimensions	profile	glass	delivery method	Price
SIMPLE 800	4000248	800×800×2050	white	transparent	S	432 €
SIMPLE 900	4000249	900×900×2050	white	transparent	S	457 €



SIMPLE SQUARE

basic square model of the shower box



4 mm ESG Tempered glass
Transparent



Profile colour
White

- mechanical lever faucet
- spacing of water supply 150 mm
- sliding doors and shower complete
- self-supporting shower tray with siphon
- rear panels in Green Satinato colour

SIMPLE SQUARE						
type	ordering No.	dimensions	profile	glass	delivery method	Price
SIMPLE SQUARE 800	4000692	800×800×2050	white	transparent	S	463 €
SIMPLE SQUARE 900	4000693	900×900×2050	white	transparent	S	504 €



! TECHNICAL SPECIFICATIONS:
 size for outlet connection: 40mm
 size for faucet connection: 1/2"
 water supply pressure: 1,8–3 bar

Project Line

project solutions

LANETA

basic quadrant model of the shower box with sliding doors



5 mm ESG Tempered glass
Transparent



Profile colour
Black

- mechanical lever faucet and shower set with adjustable hand shower holder
- top cover with overhead shower, shelf
- sliding doors with bottom tilt function
- shower tray (height 150 mm) with siphon (diameter 90 mm)
- rear panels in White colour

LANETA

type	ordering No.	dimensions	profile	glass	delivery method	Price
LANETA 900	4000875	900×900×2190	black	transparent	S	518 €



MARINE

basic square model of the shower box with sliding doors



5 mm ESG Tempered glass
Transparent



Profile colour
Black

- mechanical lever faucet and shower set with adjustable hand shower holder
- top cover with overhead shower, shelf
- sliding doors with bottom tilt function
- shower tray (height 150 mm) with siphon (diameter 90 mm)
- rear panels in White colour

MARINE

type	ordering No.	dimensions	profile	glass	delivery method	Price
MARINE 900	4000876	900×900×2190	black	transparent	S	524 €



TECHNICAL SPECIFICATIONS:
size for outlet connection: 40mm
size for faucet connection: 1/2"
water supply pressure: 1,8–3 bar

LUCIDUS ROUND

quadrant shower box with two sliding doors

LUCIDUS SQUARE

square shower box with two sliding doors



4 mm ESG Tempered glass
Transparent



Profile colour
Brillant

- massage shower panel with hand shower and shelf
- ESG glass top cover with overhead shower
- sliding doors with bottom tilt function
- **LOCK system** for easy and **silicone-free installation**
- shower tray (height 150 mm) with siphon (diameter 90 mm)
- rear panels in White colour



LUCIDUS ROUND / SQUARE

type	ordering No.	dimensions	profile	glass	delivery method	Price
LUCIDUS ROUND 900	4000897	900×900×2150	brillant	transparent	S	569 €
LUCIDUS SQUARE 900	4000898	900×900×2150	brillant	transparent	S	590 €



TECHNICAL SPECIFICATIONS:
size for outlet connection: 40mm
size for faucet connection: 1/2"
water supply pressure: 1,8–3 bar

NOVA

square shower box with two sliding doors



5 mm ESG Tempered glass
Matt glass



Profile colour
Brillant

- lever shower faucet with hand shower on adjustable holder
- sliding doors with bottom tilt function
- **LOCK system** for easy and **silicone-free installation**
- shower tray (height 150 mm) with siphon
- rear panels in White colour



NOVA

type	ordering No.	dimensions	profile	glass	delivery method	Price
NOVA 900	4000943	900×900×2050	brillant	matt glass	S	460 €

GENERAL INFORMATION

XXX-XXXXXXXX-XX-XX



ORDERING NUMBER

723-8000000-01-02

shower enclosure	TR2/800
finishing	Silver / Transparent

TERMS AND CONDITIONS

Prices are recommended, set by valid price list for a given period. Delivery times are agreed individually according to the particular business cases. For standard products, delivery times are listed for each type in the table (see explanatory notes).

Explanatory notes

Delivery method:	
S	items in STOCK - delivery in the earliest possible date
O	items to ORDER - delivery time should not exceed 14 working days
Z	CUSTOMIZED - delivery time should not exceed 30 working days

MAINTENANCE OF SHOWER ENCLOSURES



Shower enclosures and shower cabins in standard versions are used to prevent splashing water in bathroom spaces. In order to maintain the satisfactory and proper function of it, it is necessary to maintain the products regularly. The maintenance of shower

enclosures is very easy. Shower enclosures and cabins are possible to be maintained by recommended Roth Czech common cleaning detergents which do not include abrasive elements (as sand, grinded marmor etc). These hard elements cause unrecoverable damage to the glass and on the painted surfaces of metal parts. Avoid contact with concentrated acids, high concentration detergents, volatile substances and alcohol as well as detergents with a high rate of chloral, concentrated essences for the bath and different colour concentrates.

It is necessary for the moving parts of shower enclosures to be regularly greased by water adhesive greases (water vaseline or commonly used silicone creams). This is necessary to do in accordance with the frequency and conditions of usage of the shower enclosure. Minimally once or twice per month.

MAINTENANCE OF ACRYLIC PRODUCTS

Material from which the bathtubs and shower trays are produced is smooth and shiny in the entire structure and thanks to its properties there are very small deposits of microbes and dirt. Therefore we recommend just wiping the bath with a wet cloth using common household detergents. Avoid the use of abrasive elements. Avoid contact with concentrated acids, chloral and materials as alcohol, acetones etc. as well as with concentrates of perfume essences and colour concentrates. Bathtubs and shower trays should never be installed to fixed bricking, the product has to be removable (in upper direction) without any construction impacts!!!

CONSTRUCTION OF SHOWER ENCLOSURES

Shower enclosures and screens are designed for normal use. For usage by permanently or temporarily disabled people it is necessary to consult with a producer in advance.

TIGHTNESS OF SHOWER ENCLOSURES

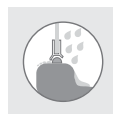
From the perspective of tightness is possible to split products in two categories:



FRAME SOLUTION

- **PROXIMA NEO, LEGA , PROJECT (except ARDIS, JANDIS, OBZD2, OBZB)**

Roth Czech guarantees maximum tightness during normal use of the shower and hydromassage equipment.



FRAMELESS SOLUTION

- **ALINA, PASTEL, NOVIRA, ELEGANT NEO, WALK IN, MELINA, CARIBA, AMBIENT, LIMAYA**

Roth Czech guarantees sufficient tightness during normal use of the shower and hydromassage equipment. But does not guarantee the water penetration, if the critical areas are exposed to a continuous direct stream of water.

Maximum weight resistance of bathtubs and shower trays is 0,1kg/1cm²

For ideal sealing we recommend the use of Roth Czech assembly set. In the case of manipulation during usage there could be some scratches on the product we recommend to fix them with a very mild water resistant sand paper (density 1000 and higher) and then to polish the area with metal or car polishing substances.

Caution: In case you decide to repair a bathtub (tray) by yourself, you do it on your own responsibility!

I) Guarantee period:

Guarantee period starts on the day of purchase by the buyer. This date is mentioned in the guarantee certificate as the date of sale or the date of installation made by an authorized person (if this installation has been ordered within 3 weeks from the date of purchase). With all products of Roth Czech s.r.o. is provided to a the consumer* the basic guarantee for 2 years from the day of purchase of the product. With compliance of the extra conditions listed below is provided an extended guarantee. Guarantee period consists of a statutory period (of 2 years) and, eventually, of the extended guarantee period.

* With selected products the guarantee to buyers is from the producer, who are not consumers too, reduced to 6 months and complaints are handled within 90 days from the day of applying for the claim. Statutory rights of final customer (consumer) are not affected by this, the guarantee to him is applicable by law.

II a) Basic guarantee - 2 years:

The claim to launch warranty fullfilment (repairing or replacing) of defective products on costs to the manufacturer lapses in the following cases:

- the product is not used in correspondence with its determination or manual instruction
- if a valid document of product purchase is not presented (so the customer has no proof of guarantee period beginning)
- when improper installation is detected
- in case a product was unauthorized or unprofessional manipulation made by the owner, or by other unqualified persons
- none or incorrect maintenance (see „maintenance instructions“)

II b) Extended guarantee:

Extended guarantee is provided by Roth Czech s.r.o. to shower enclosures of all product lines Roth Czech (except Project Line). The claim to launch warranty fullfilment (repairing or replacing) of defective products at the cost of a manufacturer, in the range of extended guarantee, lapses in the following cases:

- if it was not an original guarantee certificate completed by a retailer and together by a professional installation company.
- if assembly of the product was not performed professional installation company (with a business license)

II c) Conditions of extended guarantee:

In the range of extended guarantee, in excess of 24 months from date of purchase, the producer has exclusive rights to choose the way to deal with the claim by:

- repairing of the defect
- replacing of the defective parts
- financial compensation in an adequate range and importance of the defect in question, or by other ways in connection to the incurred defect and its relevancy.

Extended guarantee is not subject to obligation of the Civil code.

Extended guarantee is governed by the Complaints procedure of the company Roth Czech s.r.o..

Manufacturers decision on how to deal with the claim is mandatory for the customer.

Guarantee period for product groups is following:

Items of Roth Czech product lines:	
Shower enclosures, screens - ALINA, PASTEL, NOVIRA, ELEGANT NEO, WALK IN, MELINA, AMBIENT, CARIBA, PROXIMA NEO, LIMAYA, LEGA	2+3 years
acrylic and cast marble bathtubs	10 years
self-supporting acrylic shower trays	2 years
FLAT acrylic shower trays	10 years
cast marble shower trays	5 years
others (Accessories, ...)	2 years
Items of PROJECT LINE:	
complete assortment	2 years

The guarantee does not apply on:

- mechanical damage on the products, where this damage is caused by improper manipulation, caused by a retailer, installer or by user
- defects and damages caused by incorrect product installation (in contradiction to a mounting instruction, which is part of the product)
- early wear caused by incorrect product installation
- defects caused by incorrect product use (see „description and purpose of use“)
- none or incorrect maintenance (see „maintenance instructions“)
- damage caused by limescale deposits
- defects caused by unauthorized usage, improper connection, defects caused by power surges or coming from usage in extreme conditions (for example in a sauna room, swimming pool, ...)
- the water pressure for operation of the hydromassage (steam) cabins and panels can not exceed a nominal pressure of 3 bars, otherwise there is a danger of damage on water-installation materials used in the product

Caution:

Seats and handles for hydromassage boxes are not structurally designed for persons with reduced mobility within the meaning of the standards ES 93/42/EHS for medical aids. These devices serve users with full mobility, as the supporting tool.

Lifetime of consumables as the sealing components (PVC sealings), illumination, cartridges, thermostats, ball bearing rollers, shower hoses, or handheld shower can be shorter, than the guarantee period set by law.

All the components, which were mounted within installation, the customer must replace himself, e.g. shower hose, door rollers.

In case of missing purchase documents, all the service works are charged to the customer according to a valid pricelist of service works by Roth Czech.

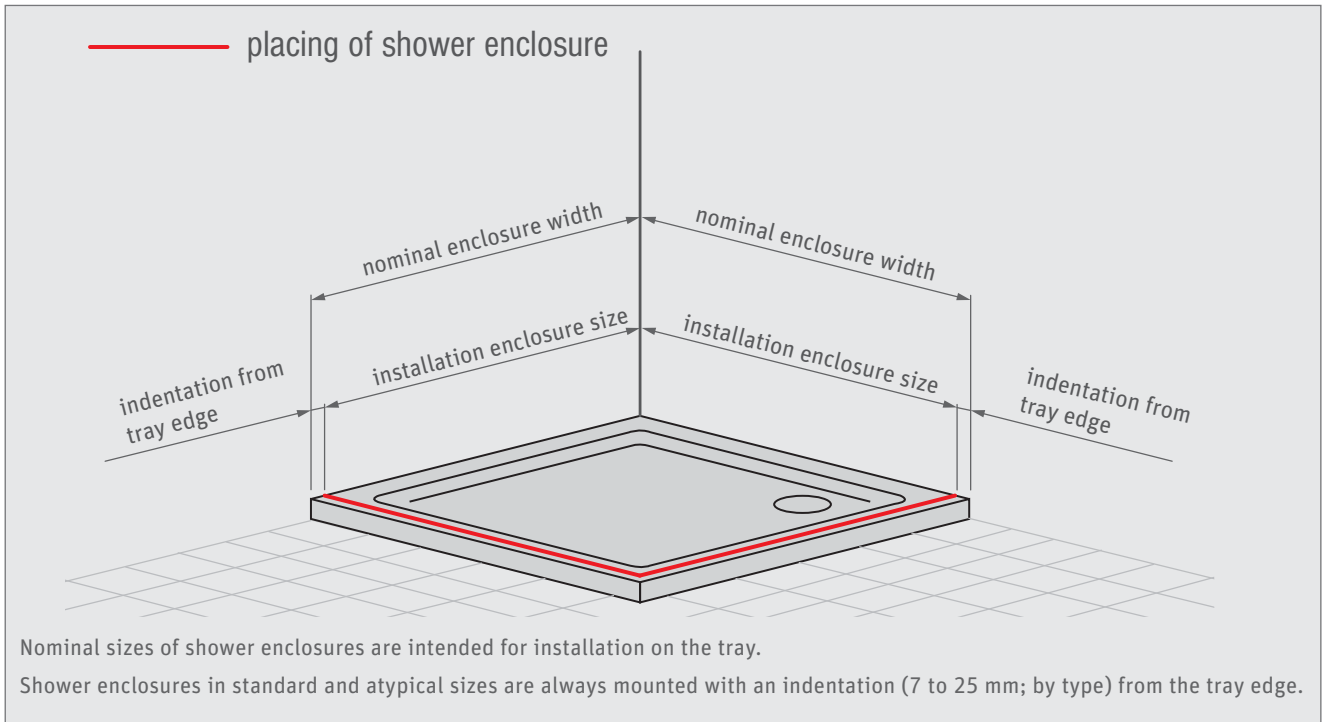
More informations on www.roth-czech.cz/en

TECHNICAL SPECIFICATIONS

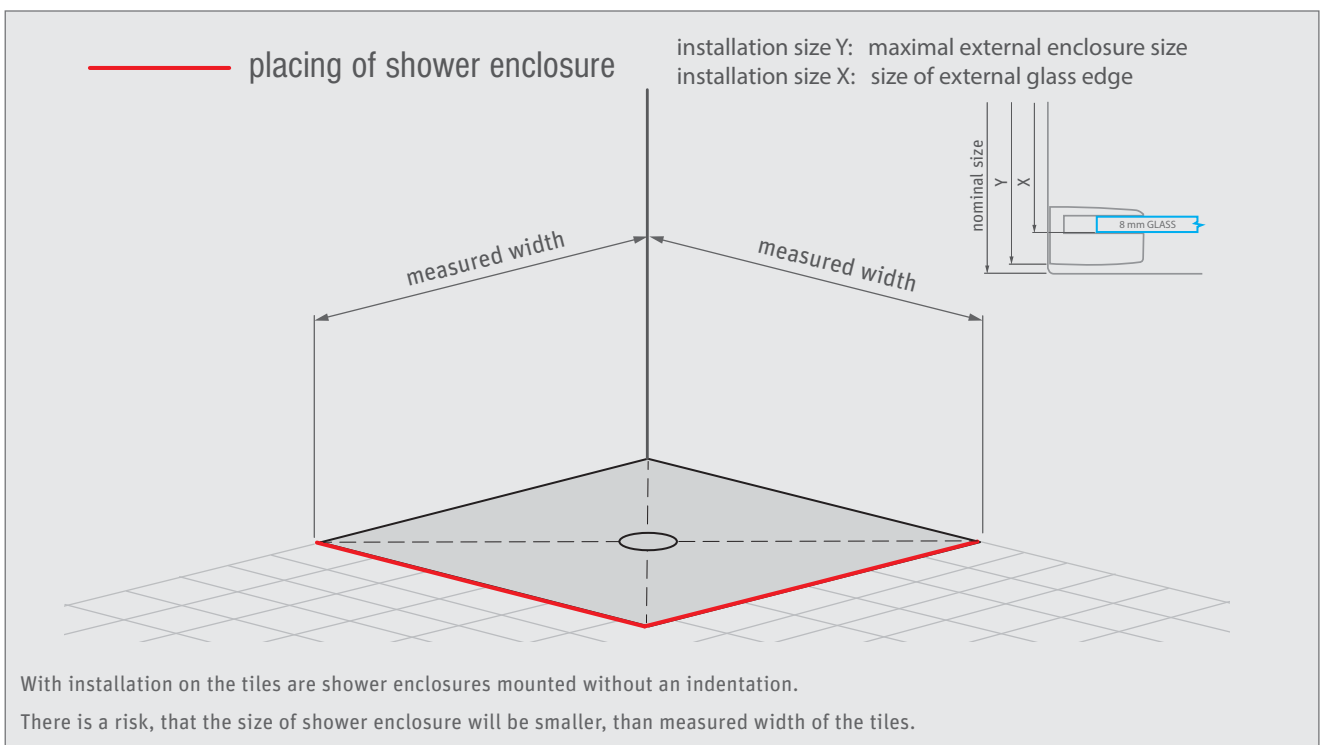
WAYS TO INSTALL SHOWER ENCLOSURES

Prior to installation of shower enclosure ON TILES it is necessary to check product dimensions in TECHNICAL SPECIFICATIONS section.

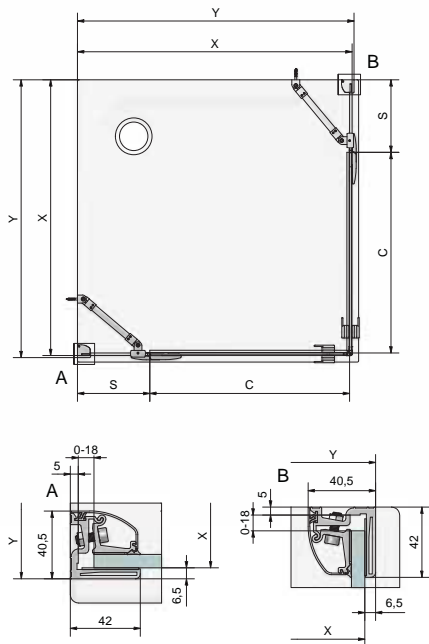
MOUNTING ON THE TRAY



MOUNTING ON THE TILES

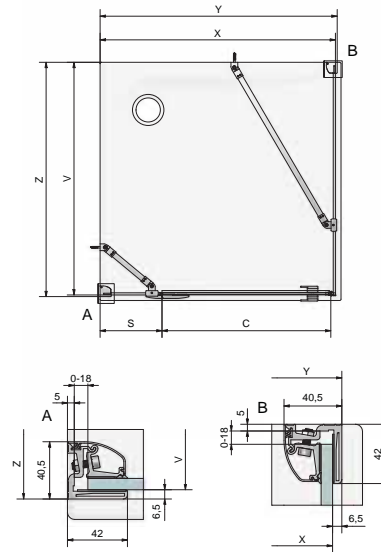


■ AP AFL + AP AFR



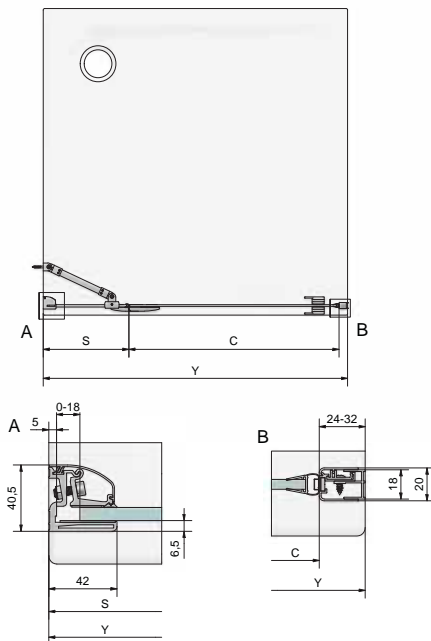
AP AFL / R	X (mm)	Y (mm)	C (mm)
800	770-788	773-791	563
900	870-878	873-891	613
1000	970-988	973-991	713
1100	1070-1088	1073-1091	763
1200	1170-1188	1173-1191	763

■ AP AFL/R + AP FXG



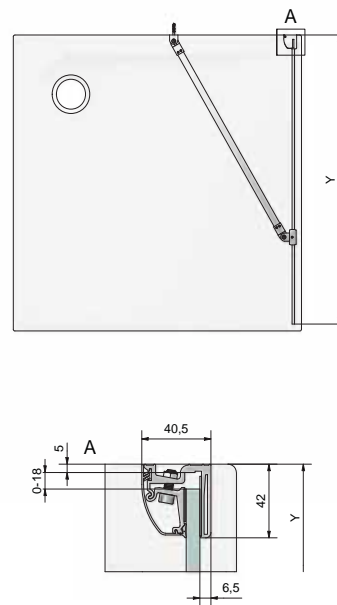
AP FXG	V (mm)	Z (mm)	AP AFL/R	X (mm)	Y (mm)	C (mm)
800	770-788	773-791	800	770-788	773-791	563
900	870-878	873-891	900	870-878	873-891	613
1000	970-988	973-991	1000	970-988	973-991	713
1100	1070-1088	1073-1091	1100	1070-1088	1073-1091	763
1200	1170-1188	1173-1191	1200	1170-1188	1173-1191	763
1400	1370-1388	1373-1391				
1500	1470-1488	1473-1491				
1600	1570-1588	1573-1591				
1800	1770-1788	1773-1791				

■ AP PFL / AP PFR



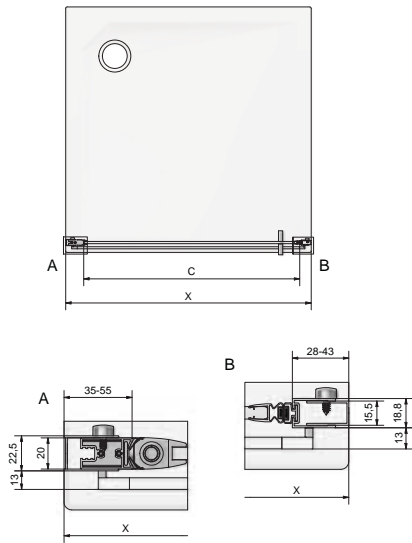
AP PFL / R	Y (mm)	S (mm)	C (mm)
800	787-813	241-259	521
900	887-913	241-259	621
1000	987-1013	241-259	721
1200	1187-1213	391-409	771

■ AP FXG



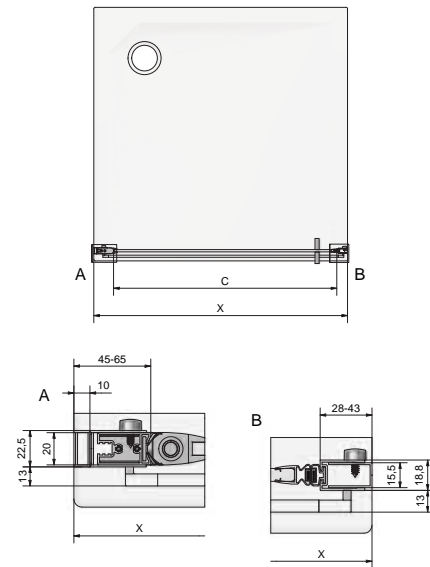
AP FXG	Y (mm)
800	773-791
900	873-891
1000	973-991
1100	1073-1091
1200	1173-1191
1400	1373-1391
1500	1473-1491
1600	1573-1591
1800	1773-1791

■ PL PIV



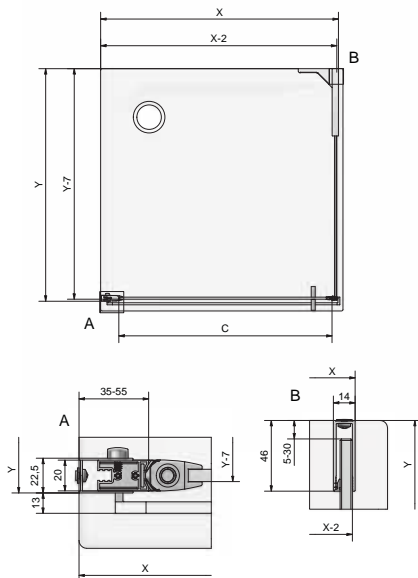
PL PIV	X (mm)	C (mm)
800	775-805	690
900	875-905	790
1000	975-1005	890

■ PL PIV + additional profile



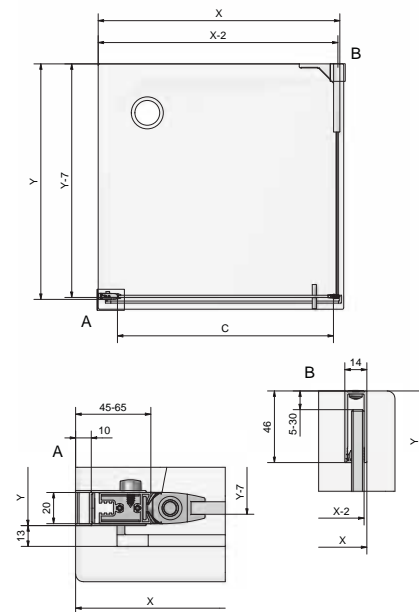
PL PIV + ad. profile	X (mm)	C (mm)
800	785-815	690
900	885-915	790
1000	985-1015	890

■ PL PIV + PL TWU



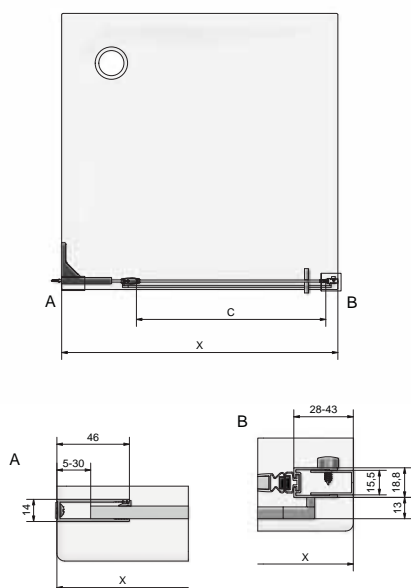
PL PIV	X (mm)	C (mm)	PL TWU	Y (mm)
800	757-772	690	800	760-785
900	857-872	790	900	860-885
1000	957-972	890	1000	960-985
			1200	1160-1185
			1400	1360-1385

■ PL PIV + additional profile + PL TWU



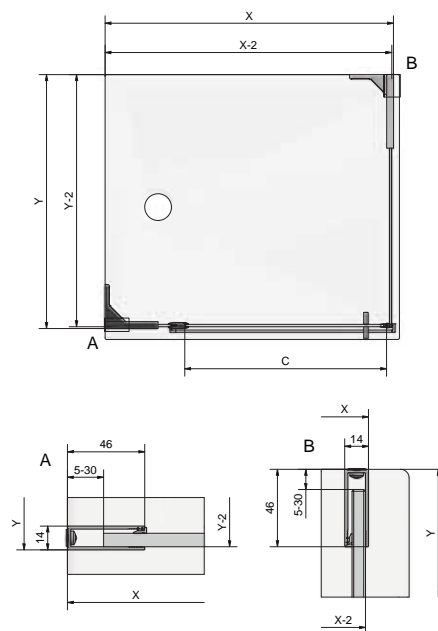
PL PIV + ad. profile	X (mm)	C (mm)	PL TWU	Y (mm)
800	767-782	690	800	760-785
900	867-882	790	900	860-885
1000	967-982	890	1000	960-985
			1200	1160-1185
			1400	1360-1385

■ PL PIF



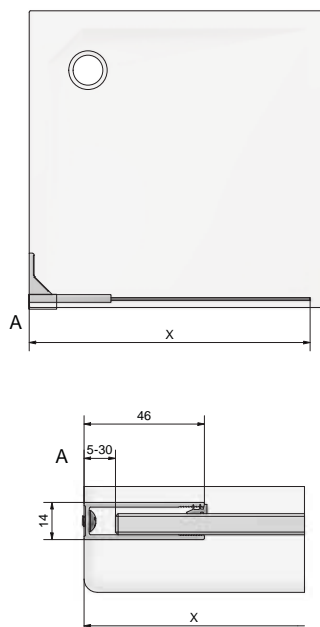
PL PIF	X (mm)	C (mm)
800	778-818	486
900	878-918	586
1000	978-1018	686
1200	1178-1218	686
1400	1378-1418	686

■ PL PIF + PL TWU



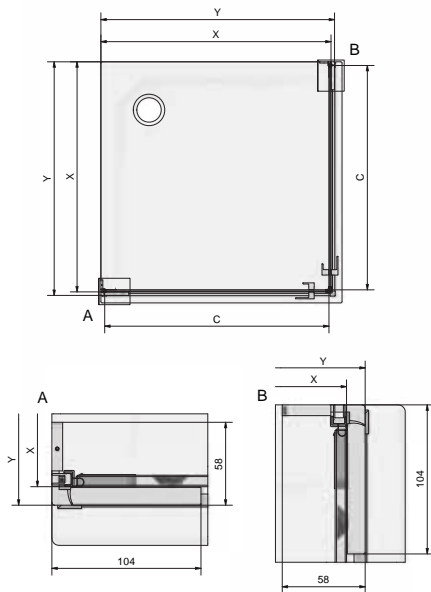
PL PIF	X (mm)	C (mm)	PL TWU	Y (mm)
800	760-785	486	800	755-780
900	860-885	586	900	855-880
1000	960-985	686	1000	955-980
1200	1160-1185	686	1200	1155-1180
1400	1360-1385	686	1400	1355-1380

■ PL TWU



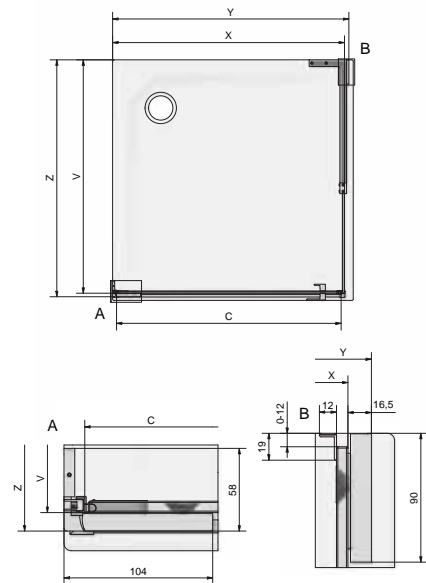
PL TWU	Y (mm)
800	753-778
900	853-878
1000	953-978
1200	1153-1178
1400	1353-1378

■ NV PIGL + NV PIGR



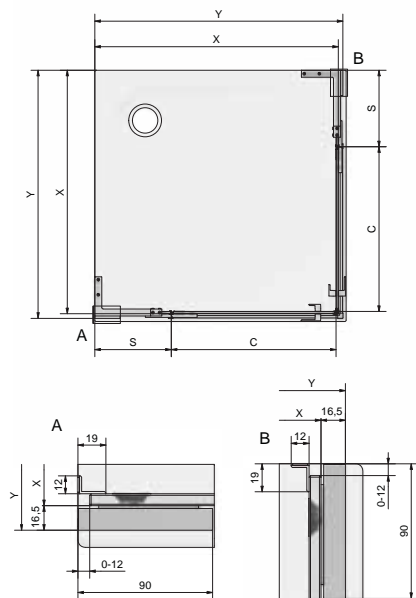
NV PIGL/R	X (mm)	Y (mm)	C (mm)
800	759	772	700
900	859	872	800
1000	959	972	900

■ NV PIGL/R + NV FXGL/R



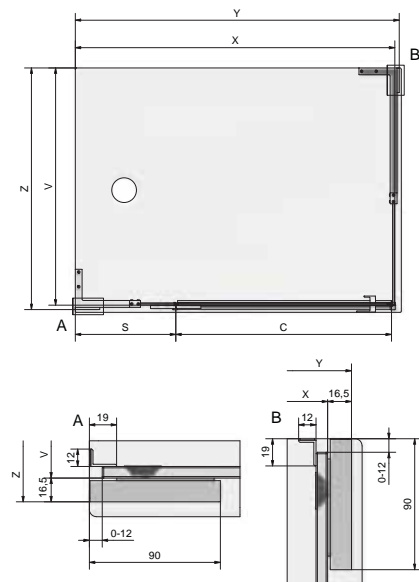
NV PIGL/R	X (mm)	Y (mm)	NV FXGL/R	V (mm)	Z (mm)
800	768	784	800	764-776	777-789
900	868	884	900	864-876	877-889
1000	968	984	1000	964-976	977-989
			1200	1164-1176	1177-1189

■ NV EPFL + NV EPFR



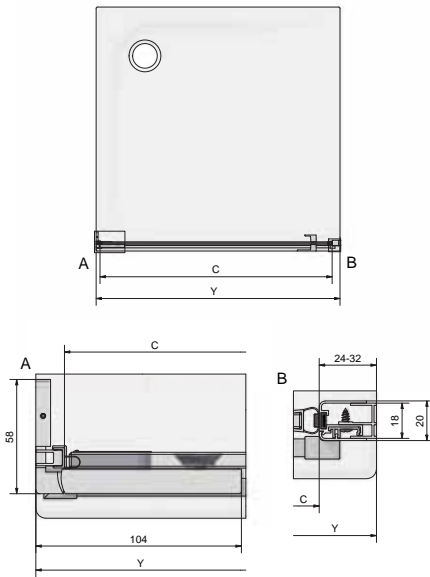
NV EPFL/R	X (mm)	Y (mm)	C (mm)	S (mm)
800	759-771	776-788	455	260-272
900	859-871	876-888	555	260-272
1000	959-971	976-988	555	360-372
1200	1159-1171	1176-1188	755	360-372

■ NV EPFL/R + NV FXGL/R



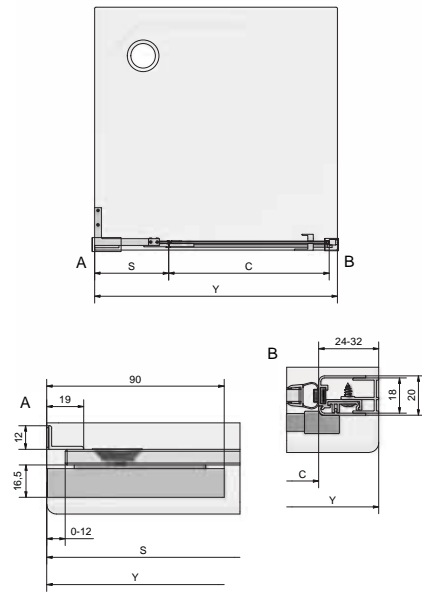
NV EPFL/R	X (mm)	Y (mm)	NV FXGL/R	V (mm)	Z (mm)
800	768-780	784-796	800	764-776	781-793
900	868-880	884-896	900	864-876	881-893
1000	968-980	984-996	1000	964-976	981-993
1200	1168-1180	1184-1196	1200	1164-1176	1181-1193

■ NV PIVL/R



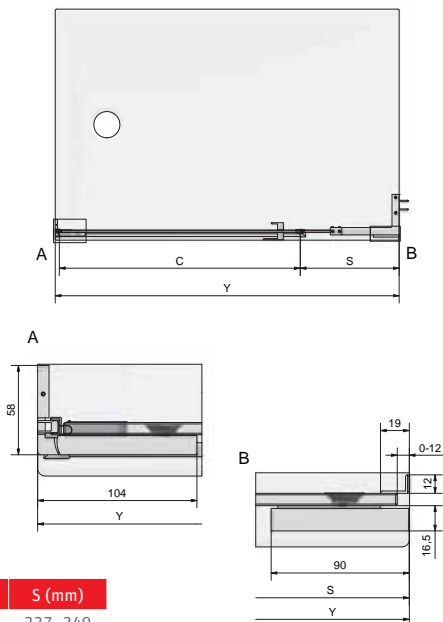
NV PIVL/R	Y (mm)	C (mm)
800	795-803	720
900	895-903	820
1000	995-1003	920

■ NV PIFL/R



NV PIFL/R	Y (mm)	C (mm)	S (mm)
800	784-804	462	265-277
900	884-904	562	265-277
1000	984-1004	562	365-377
1200	1184-1204	762	365-377

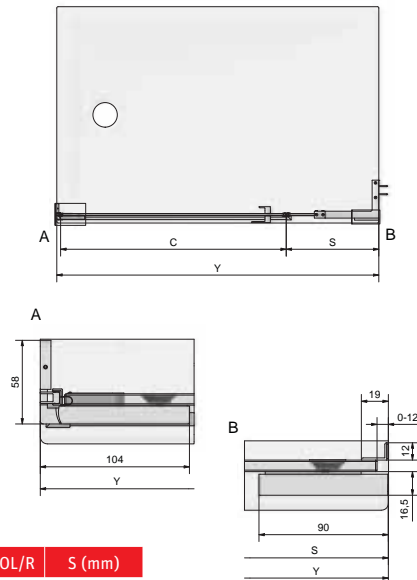
■ NV PIGL/R + NV FXOL/R



NV FXOL/R	S (mm)
350	337-349
450	437-449
550	537-549

Y	NV PIG/800	NV PIG/900	NV PIG/1000	NV PIGL/R	C (mm)
NV FXO/350	1092-1104	1192-1204	1292-1304	800	700
NV FXO/450	1192-1204	1292-1304	1392-1404	900	800
NV FXO/550	1292-1304	1392-1404	1492-1504	1000	900

■ NV EPFL/R + NV FXOL/R

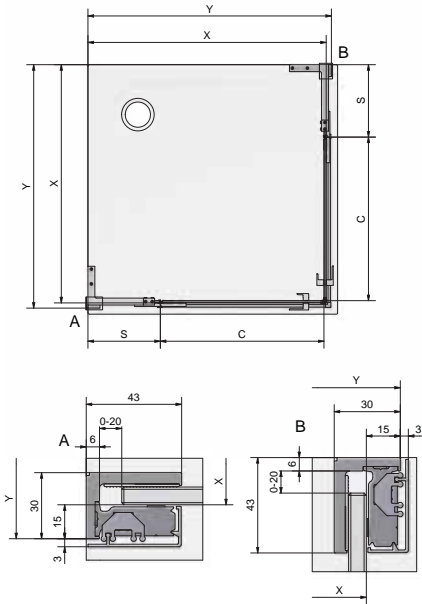


NV FXOL/R	S (mm)
350	337-349
450	437-449
550	537-549

NV EPFL/R	C (mm)
800	455
900	555
1000	555
1200	755

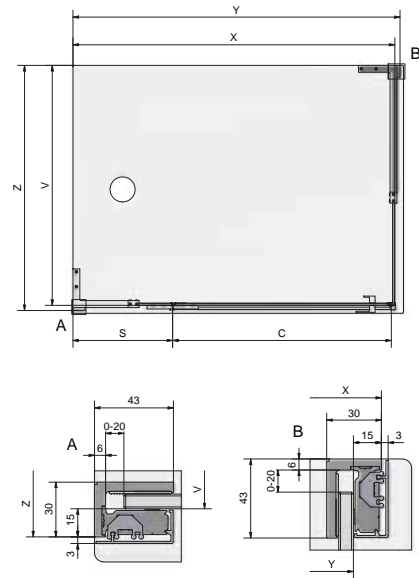
Y	NV EPF/800	NV EPF/900	NV EPF/1000	NV EPF/1200
NV FXO/350	1092-1116	1192-1216	1292-1316	1492-1516
NV FXO/450	1192-1216	1292-1316	1392-1416	1592-1616
NV FXO/550	1292-1316	1392-1416	1492-1516	1692-1716

■ NP EPFL + NP EPFR



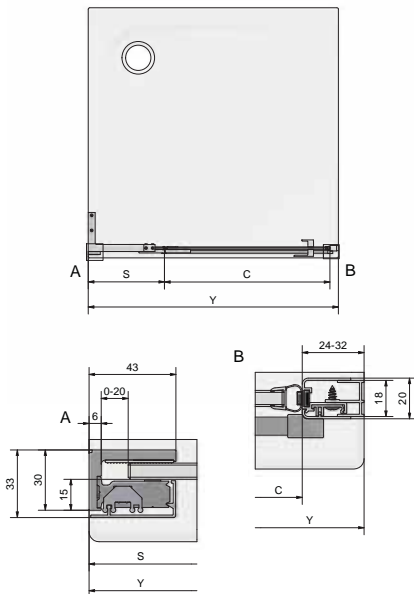
NP EPFL/R	X (mm)	Y (mm)	C (mm)	S (mm)
800	750-770	765-785	455	260-280
900	850-870	865-885	555	260-280
1000	950-970	965-985	555	360-380
1200	1150-1170	1165-1185	755	360-380

■ NP EPFL/R + NP FXG



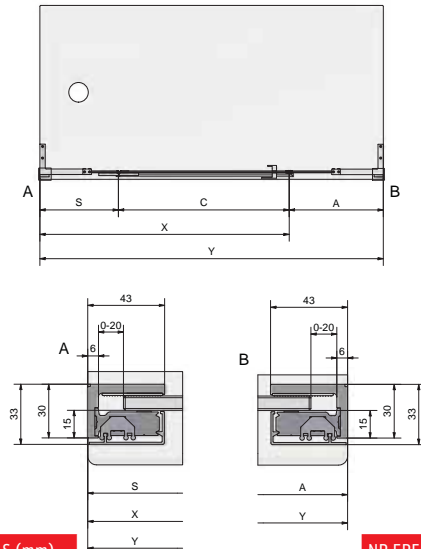
NP EPFL/R	X (mm)	Y (mm)	NP FXG	V (mm)	Z (mm)
800	759-779	774-794	800	759-779	775-795
900	859-879	874-894	900	859-879	875-895
1000	959-979	974-994	1000	959-979	975-995
1200	1159-1179	1174-1194	1200	1159-1179	1175-1195

■ NP PIFL/R



NP PIFL/R	Y (mm)	C (mm)	S (mm)
800	780-808	462	270-290
900	880-908	562	270-290
1000	980-1008	562	370-390
1200	1180-1208	762	370-390

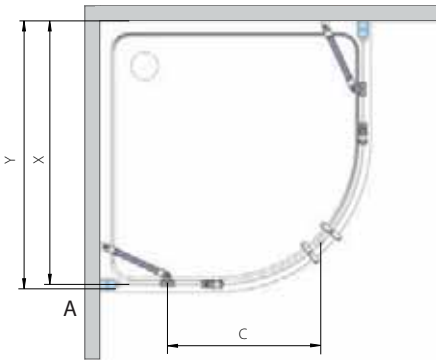
■ NP EPFL/R + NP NP FXO



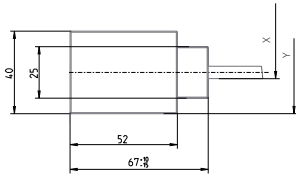
NP FXOL/R	S (mm)	NP EPFL/R	C (mm)
350	324-344	800	455
450	424-444	900	555
550	524-544	1000	555
		1200	755

Y	NP EPF/800	NP EPF/900	NP EPF/1000	NP EPF/1200
NV FXO/350	1070-1110	1170-1210	1270-1310	1470-1510
NV FXO/450	1170-1210	1270-1310	1370-1410	1570-1610
NV FXO/550	1270-1310	1370-1410	1470-1510	1670-1710

MI D55

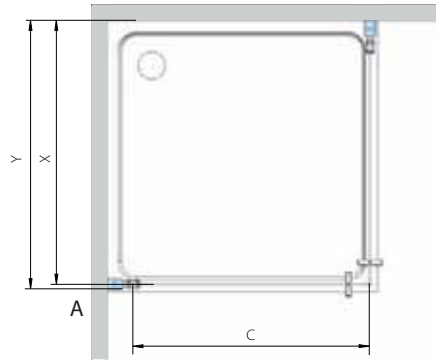


A

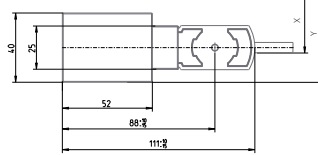


Variant	Y (mm)	X (mm)	C (mm)
800	780-805	763-813	389
900	880-905	863-913	389
1000	980-1005	963-1013	389

MI PIG + MI PIG



A



Settings on delivery

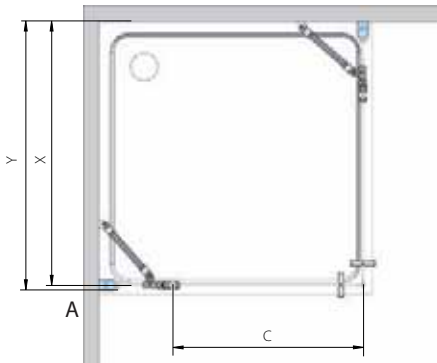
Modification +25 mm



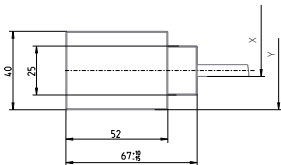
Variant	Y (mm)	X (mm)	C (mm)
800	780-830	763-813	664/689
900	880-930	863-913	764/789
1000	980-1030	963-1013	864/889

Dimensions including modification +25 mm

MI EPF + MI EPF



A



Settings on delivery

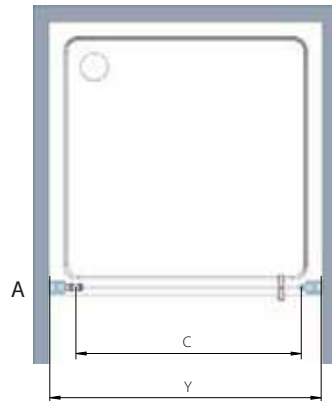
Modification +25 mm



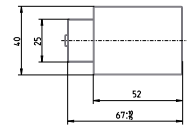
Variant	Y (mm)	X (mm)	C (mm)
800	780-830	763-813	503/528
900	880-930	863-913	603/628
1000	980-1030	963-1013	703/728
1100	1080-1130	1063-1113	753/778
1200	1180-1230	1163-1213	803/828

Dimensions including modification +25 mm

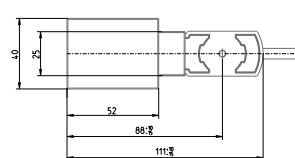
MI PIV



B



A



Settings on delivery

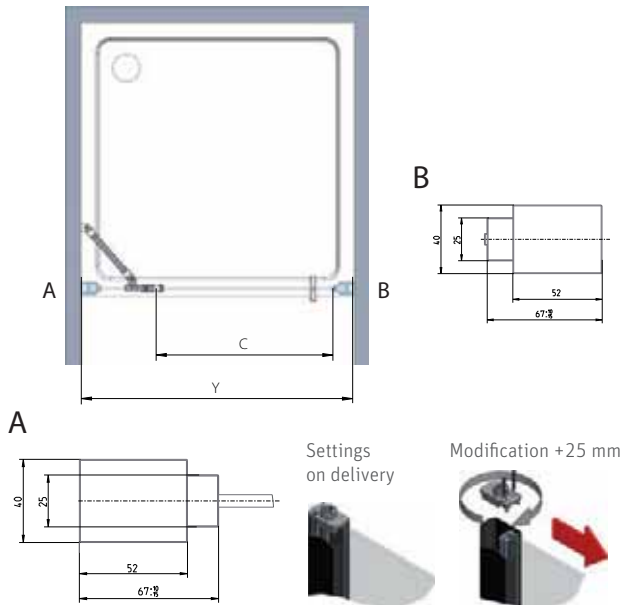
Modification +25 mm



Variant	Y (mm)	C (mm)
800	770-845	620/645
900	870-945	720/745
1000	970-1045	820/845

Dimensions including modification +25 mm

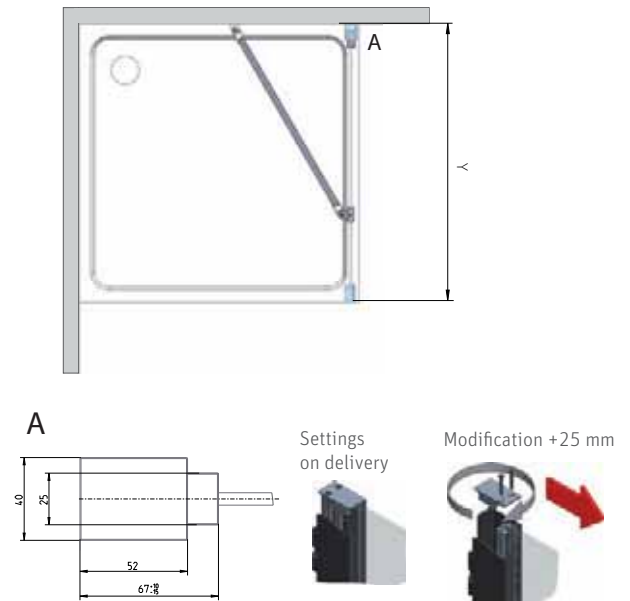
MI PIF



Variant	Y (mm)	C (mm)
800	770-845	459/484
900	870-945	559/584
1000	970-1045	659/684
1100	1070-1145	709/734
1200	1170-1245	759/784

Dimensions including modification +25 mm

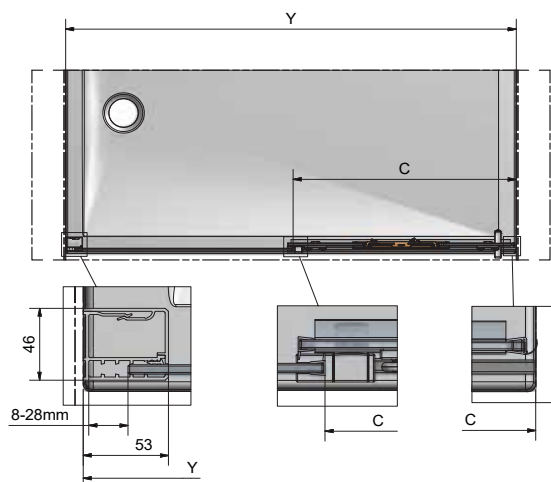
MI FXP



Variant	Y (mm)
800	780-830
900	880-930
1000	980-1030

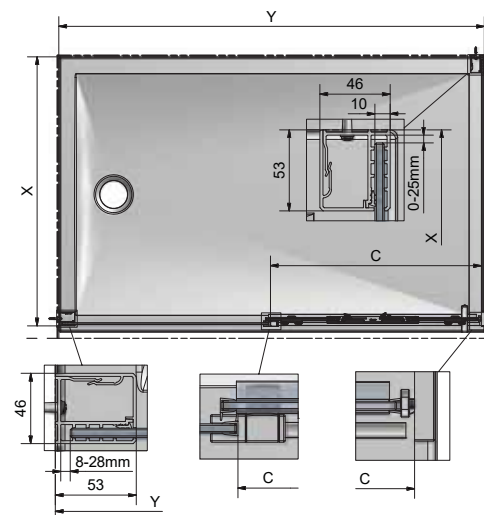
Dimensions including modification +25 mm

MI D2L(R)



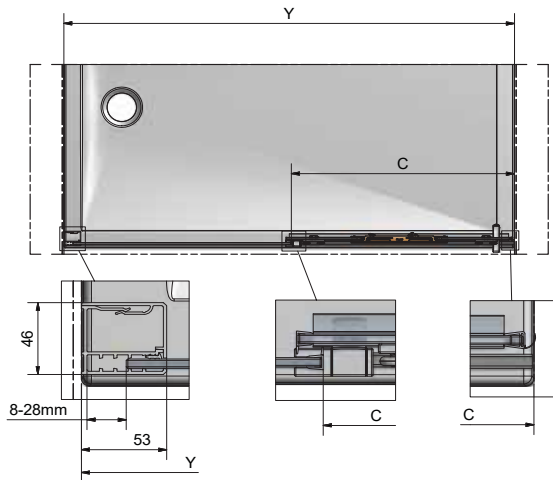
Variant	C (mm)	Y (mm)
1000	400	970-1010
1100	450	1070-1110
1200	500	1170-1210
1300	550	1270-1310
1400	600	1370-1410
1500	650	1470-1510
1600	700	1570-1610
1700	750	1670-1710
1800	800	1770-1810

MI D2L(R) + MI FX2



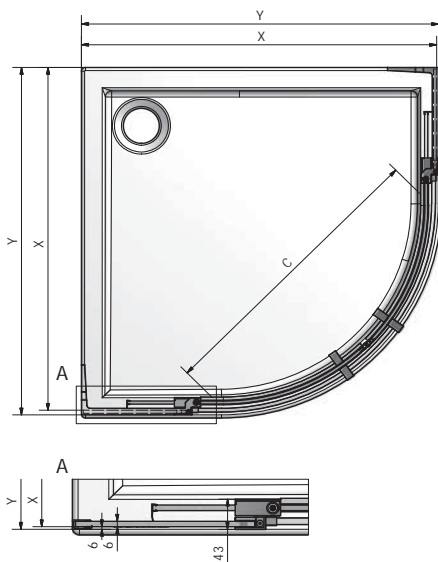
MI D2L(R)	C (mm)	Y (mm)	MI FX2	X (mm)
1000	400	980-1020	750	725-750
1100	450	1080-1120	800	775-800
1200	500	1180-1220	900	875-900
1300	550	1280-1320	1000	975-1000
1400	600	1380-1420	1100	1075-1100
1500	650	1480-1520	1200	1175-1200
1600	700	1580-1620		
1700	750	1680-1720		
1800	800	1780-1820		

MI DWL / MI DWR



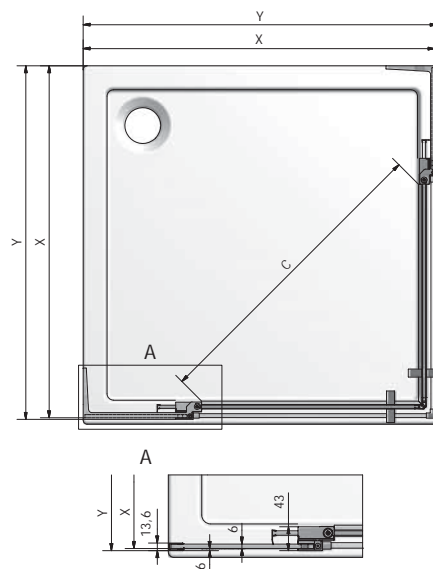
Variant	C (mm)	Y (mm)
1000	400	985-1010
1100	450	1085-1110
1200	500	1185-1210
1300	550	1285-1310
1400	600	1385-1410
1500	650	1485-1510
1600	700	1585-1610
1700	750	1685-1710
1800	800	1785-1810

GR2N



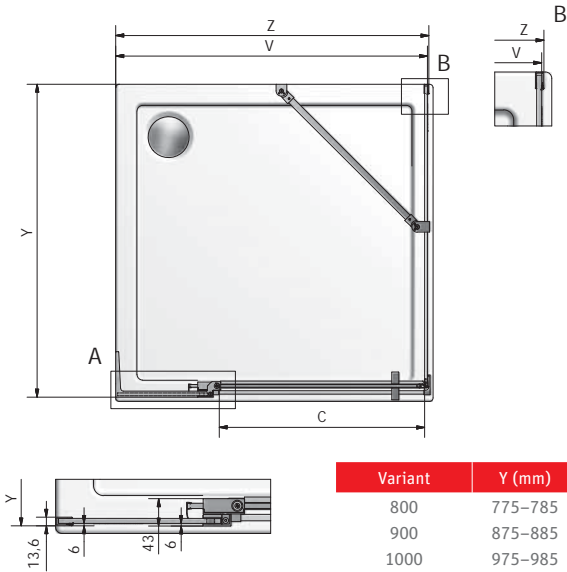
Variant	X (mm)	Y (mm)	C (mm)
900-1000	885-985	879-979	710-900
1000-1100	985-1085	979-1079	860-1050

GDO1N + GDO1N



Variant	X (mm)	Y (mm)	C (mm)
700-800	679-779	685-785	510-650
800-900	779-879	785-885	650-790
900-1000	879-979	885-985	790-930
1000-1100	979-1079	985-1085	930-1070
1100-1200	1079-1179	1085-1185	1070-1210

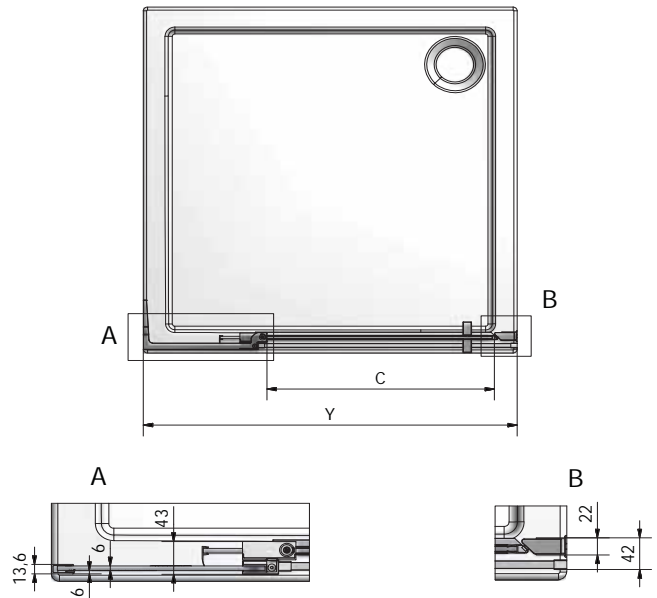
■ GDO1N + GBN



Variant	Y (mm)
800	775-785
900	875-885
1000	975-985

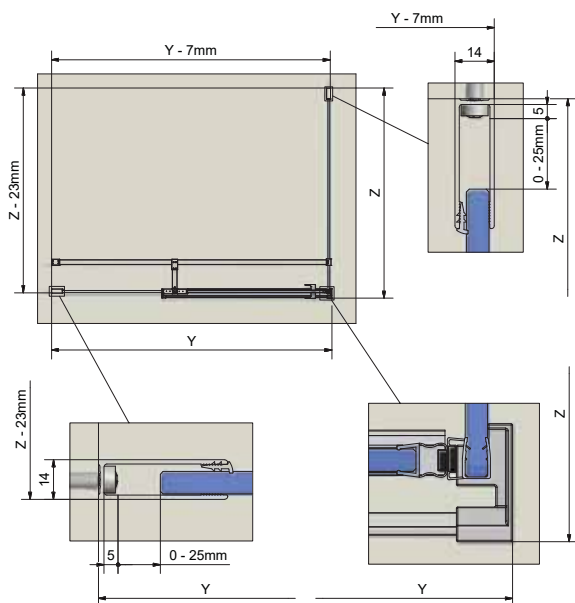
Variant	V (mm)	Z (mm)	C (mm)
700-800	685-785	691-791	380-480
800-900	785-885	791-891	480-580
900-1000	885-985	891-991	580-680
1000-1100	985-1085	991-1091	680-780
1100-1200	1085-1185	1091-1191	780-880

■ GDO1N + GZN



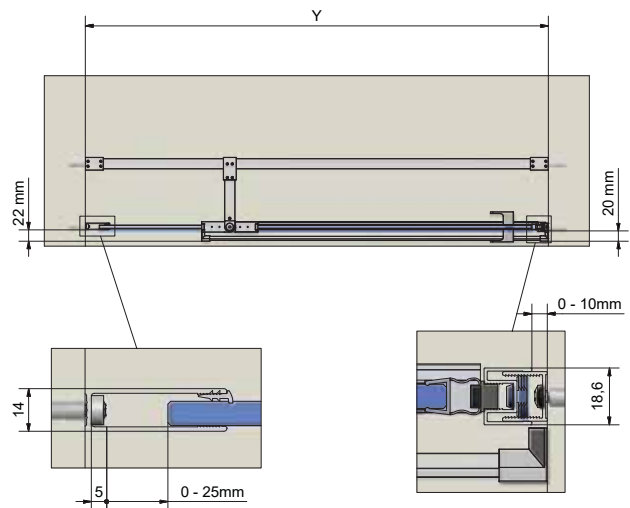
Variant	Y (mm)	C (mm)
700-800	685-785	340-460
800-900	785-885	440-560
900-1000	885-985	540-660
1000-1100	985-1085	640-760
1100-1200	1085-1185	740-860

■ BI PF2 + BI FXP



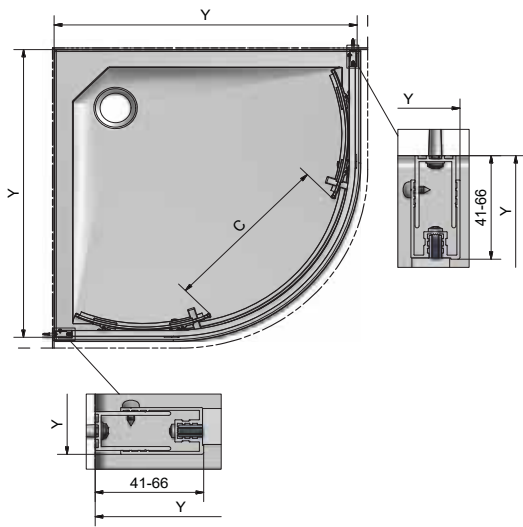
Varianta	Y (mm)	Z (mm)
800	782-807	768-793
900	882-907	868-893
1000	982-1007	968-993
1200	1182-1207	-

■ BI PF2 + BI SET



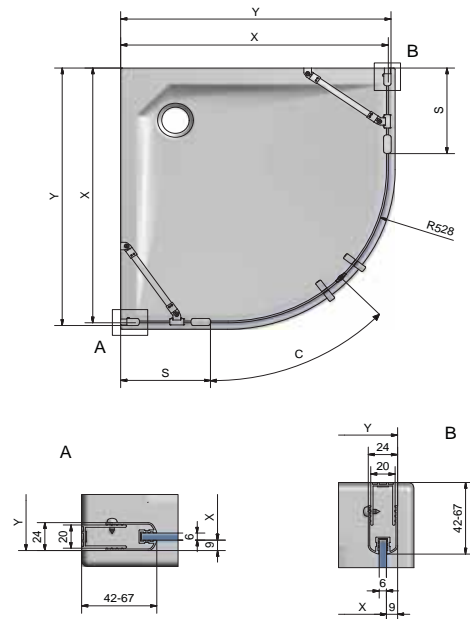
Varianta	Y (mm)
800	775-810
900	875-910
1000	975-1010
1200	1175-1210

■ CI R55



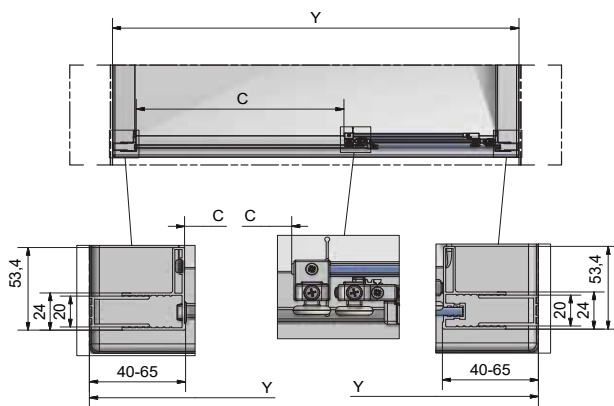
Variant	Y (mm)	C (mm)
800	777-802	400
900	877-902	500
1000	977-1002	500

■ CI P55



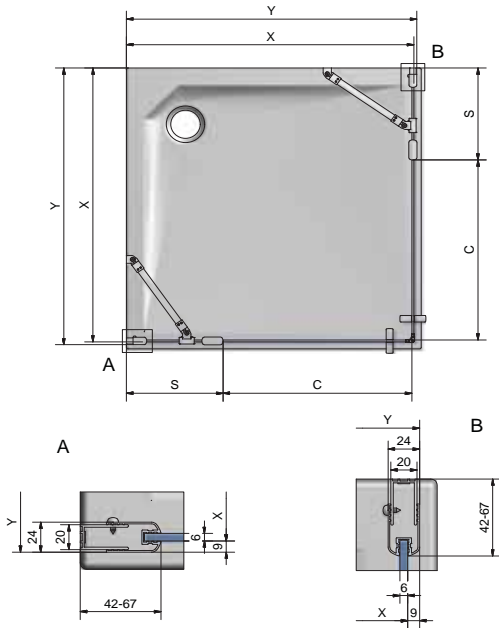
Variant	X (mm)	Y (mm)
900	858-883	867-892
1000	958-983	967-992

■ CI D3L / CI D3R



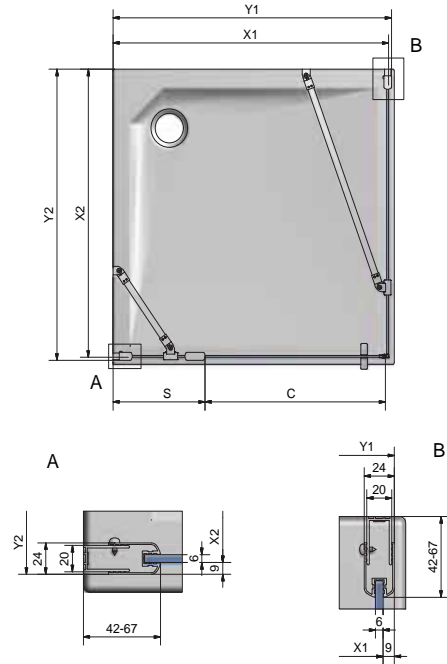
Variant	Y (mm)	C (mm)
800	760-810	375
900	860-910	442
1000	960-1010	509
1100	1060-1110	576
1200	1160-1210	643
1400	1360-1410	843

■ CI EPF + CI EPF



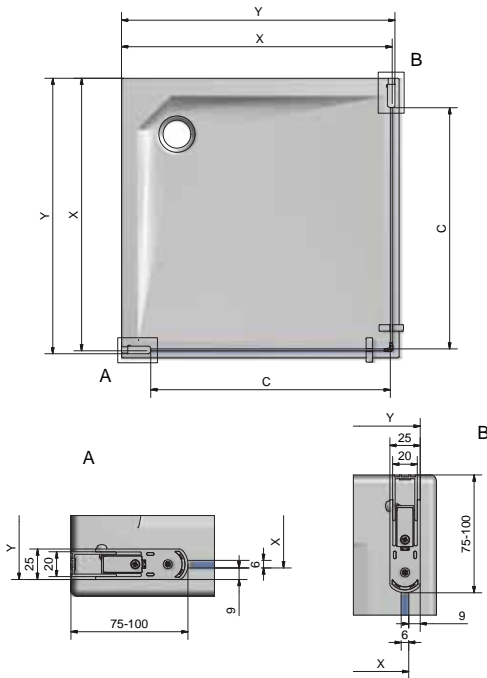
Variant	X (mm)	Y (mm)
800	758-783	767-792
900	858-883	867-892
1000	958-983	967-992
1100	1058-1083	1067-1092
1200	1158-1183	1167-1192

■ CI EPF + CI FXG



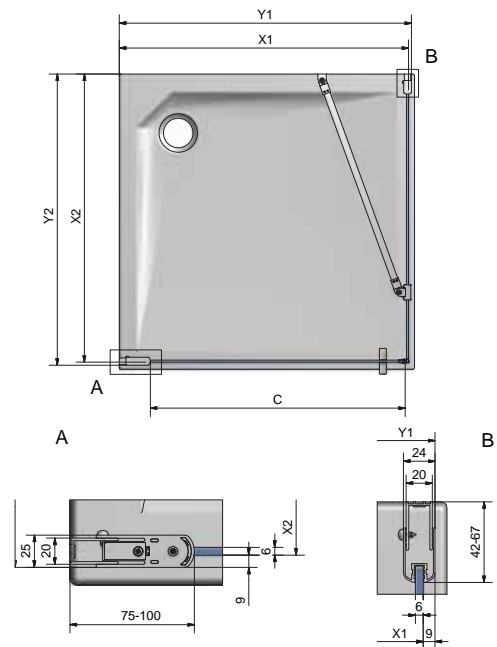
Variant	X1 (mm)	Y1 (mm)	X2 (mm)	Y2 (mm)
800	762-787	771-796	759-784	768-793
900	862-887	871-896	859-884	868-893
1000	962-987	971-996	959-984	968-993
1100	1062-1087	1071-1096	-	-
1200	1162-1187	1171-1196	-	-

■ CI PIG + CI PIG



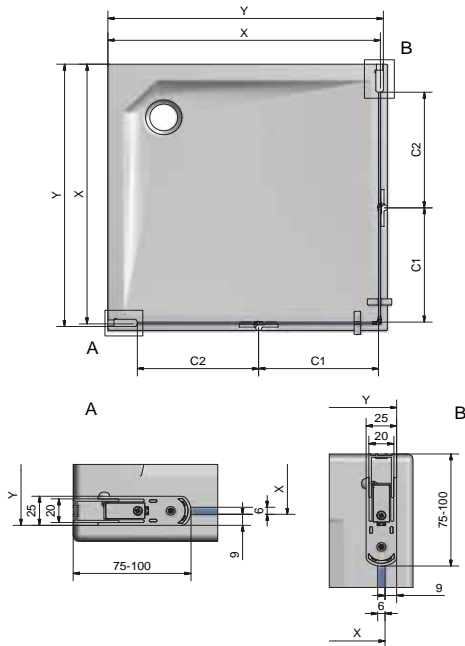
Variant	X (mm)	Y (mm)
800	758-783	767-792
900	858-883	867-892
1000	958-983	967-992

■ CI PIG + CI FXG



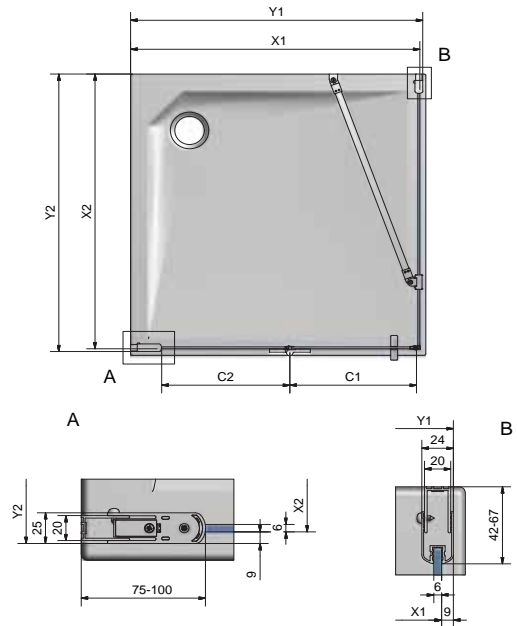
Variant	X1 (mm)	Y1 (mm)	X2 (mm)	Y2 (mm)
800	762-787	771-796	759-784	768-793
900	862-887	871-896	859-884	868-893
1000	962-987	971-996	959-984	968-993

■ CI 2CL + CI 2CR



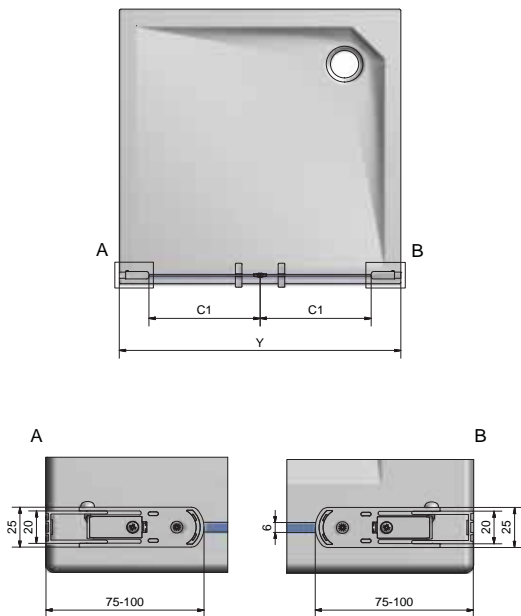
Variant	X (mm)	Y (mm)
800	758-783	767-792
900	858-883	867-892
1000	958-983	967-992

■ CI 2CL / CI 2CR + CI FXG



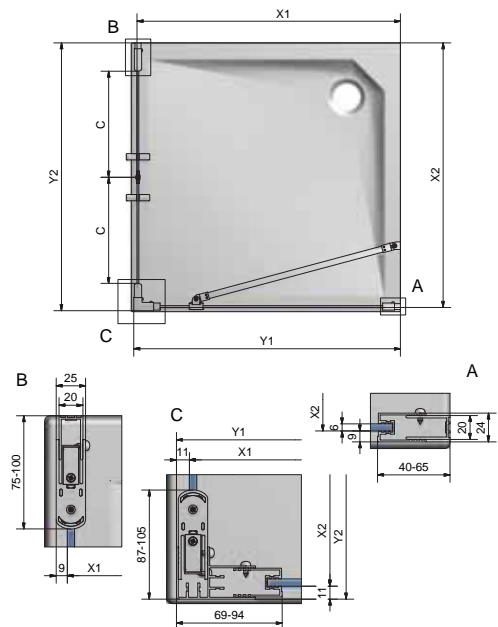
Variant	X1 (mm)	Y1 (mm)	X2 (mm)	Y2 (mm)
800	762-787	771-796	759-784	768-793
900	862-887	871-896	859-884	868-893
1000	962-987	971-996	959-984	968-993

■ CI 2BT



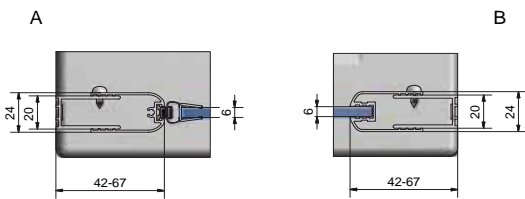
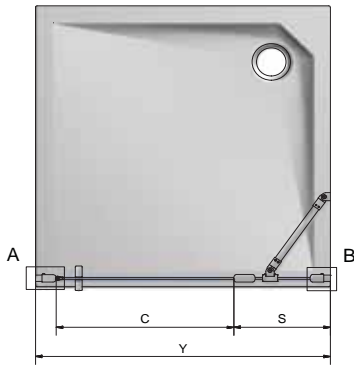
Variant	Y (mm)
800	760-810
900	860-910
1000	960-1010
1100	1060-1110
1200	1160-1210

■ CI 2BT + CI FXP



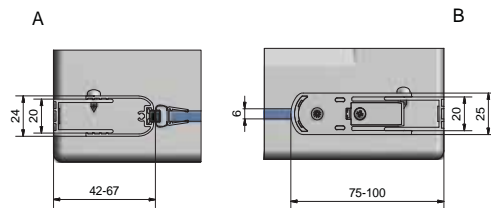
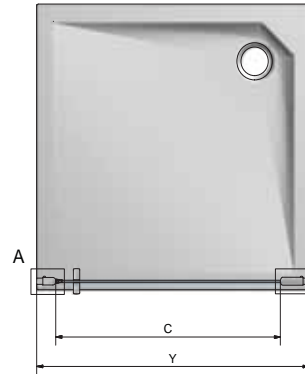
Variant	X1 (mm)	Y1 (mm)	X2 (mm)	Y2 (mm)
700	641-691	652-702	-	-
750	691-741	702-752	-	-
800	741-791	752-802	759-804	770-815
900	841-891	852-902	859-904	870-915
1000	941-991	952-1002	959-1004	970-1015
1100	-	-	1059-1104	1070-1115
1200	-	-	1159-1204	1170-1215

■ CI PIF



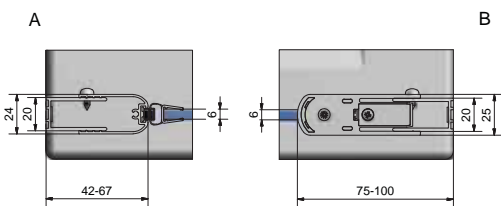
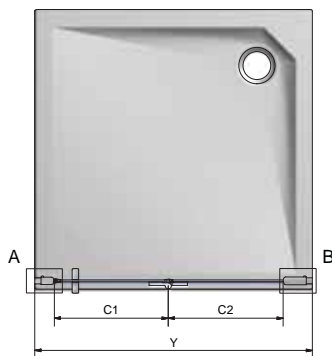
Variant	Y (mm)
800	760-810
900	860-910
1000	960-1010
1100	1060-1110
1200	1160-1210

■ CI PIV



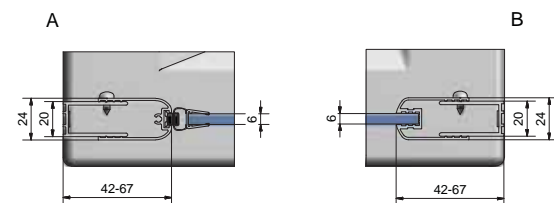
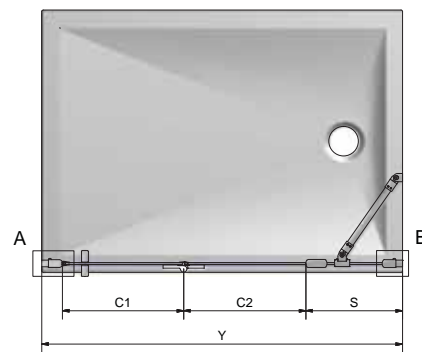
Variant	Y (mm)
800	760-810
900	860-910
1000	960-1010

■ CI PIR / CI PIR



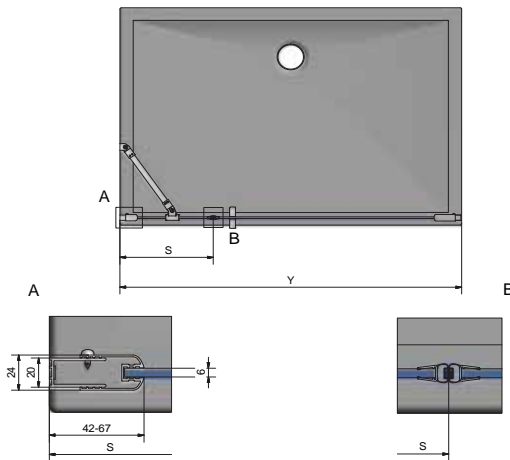
Variant	Y (mm)
800	760-810
900	860-910
1000	960-1010
1200	1160-1210

■ CI RFR / CI RFL



Variant	Y (mm)
1100	1060-1110
1200	1160-1210
1400	1360-1410
1600	1560-1610

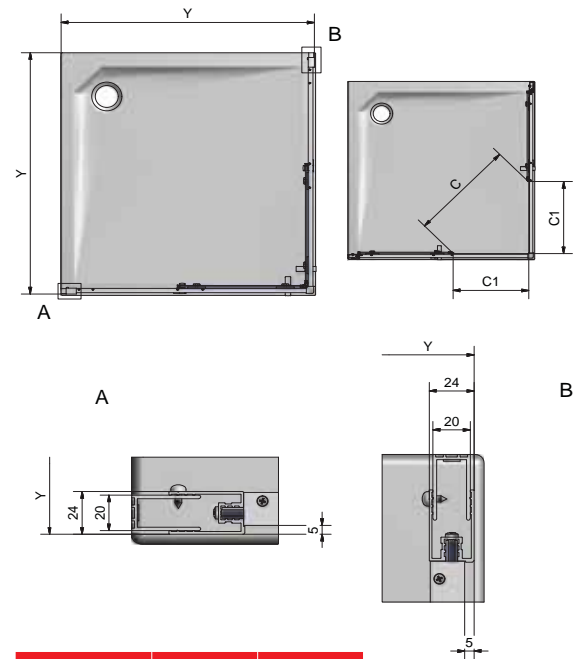
■ CI FX0 + CI PIG



CI FX0	S (mm)
230	209-234
330	309-334
430	409-434
530	509-534
630	609-634

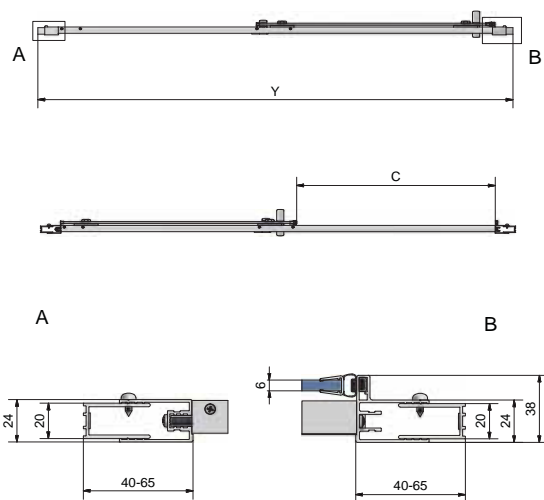
Y	CI PIG/800	CI PIG/900	CI PIG/1000
CI FX0/230	960-1010	1060-1110	1160-1210
CI FX0/330	1060-1110	1160-1210	1260-1310
CI FX0/430	1160-1210	1260-1310	1360-1410
CI FX0/530	1260-1310	1360-1410	1460-1510
CI FX0/630	1360-1410	1460-1510	1560-1610

■ CI C2L + CI C2R



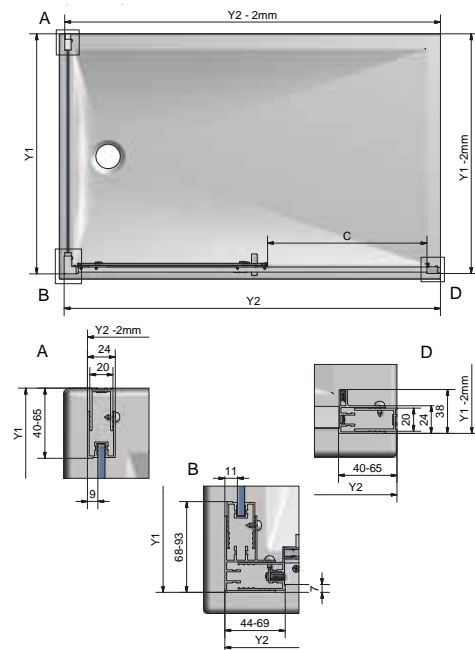
Variant	Y (mm)	C1 (mm)
800	775-800	305
900	875-900	355
1000	975-1000	405
1100	1075-1100	455
1200	1175-1200	505

■ CI D2L / CI D2R



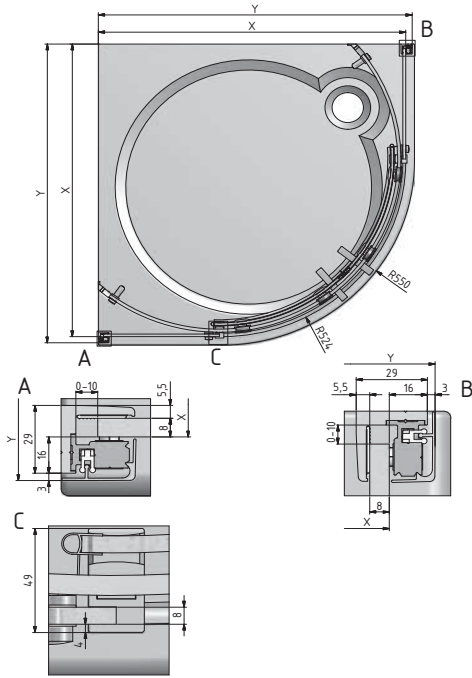
Variant	Y (mm)	C (mm)
1200	1160-1210	485
1300	1260-1310	535
1400	1360-1410	585
1500	1460-1510	635
1600	1560-1610	685

■ CI D2L + CI FXP



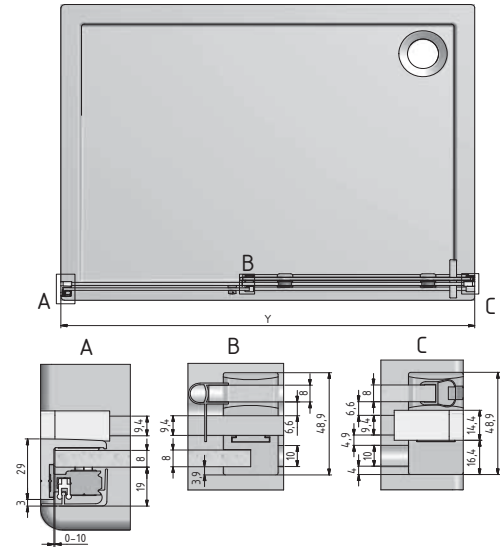
CI FXP	Y1 (mm)	CI D2L/R	Y2 (mm)
700	652-702	1200	1163-1213
750	702-752	1300	1263-1313
800	752-802	1400	1363-1413
900	852-902	1500	1463-1513
1000	952-1002	1600	1563-1613

AMR2N



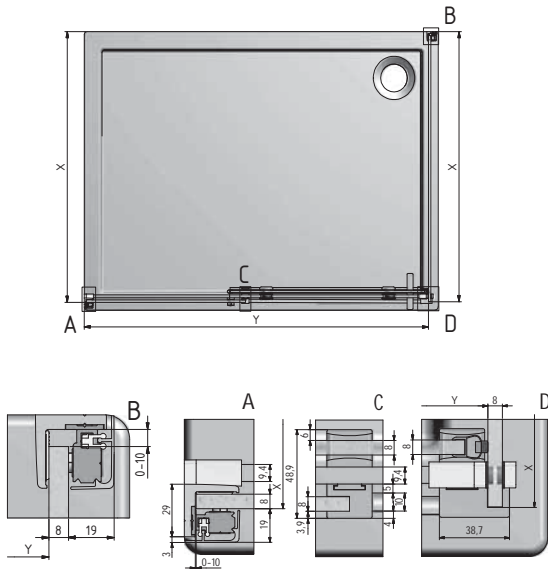
Variant	X (mm)	Y (mm)
900	866-876	885-895
1000	966-976	985-995

AMD2



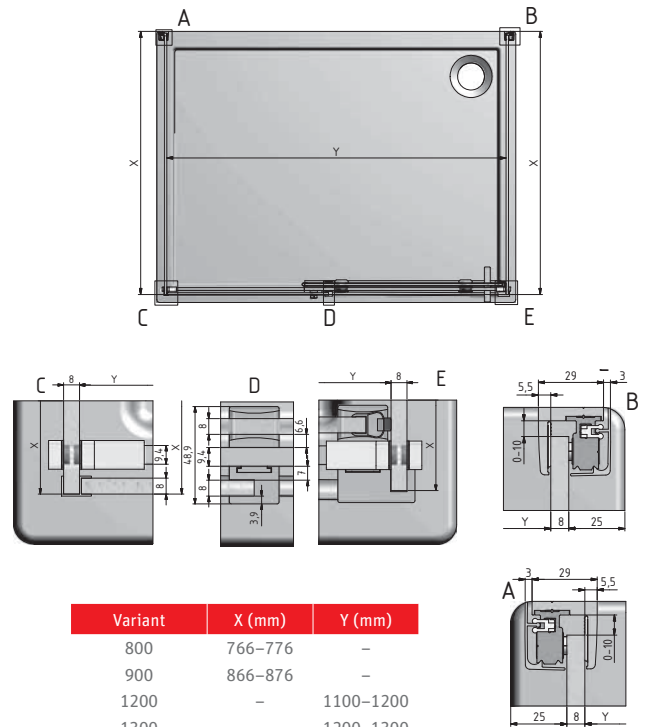
Variant	Y (mm)
1200	1100-1200
1300	1200-1300
1400	1300-1400
1500	1400-1500
1600	1500-1600
1700	1600-1700
1800	1700-1800

AMD2 + AMB



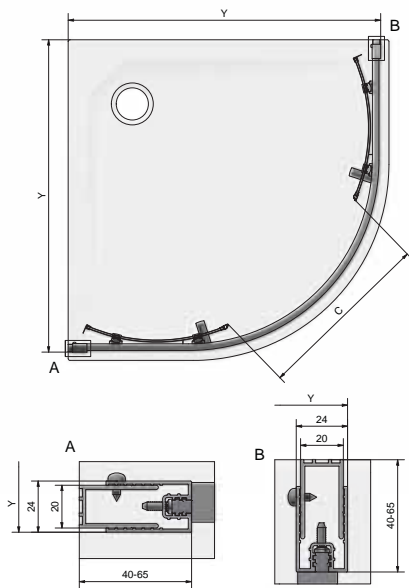
Variant	X (mm)	Y (mm)
800	766-776	-
900	866-876	-
1200	-	1100-1200
1300	-	1200-1300
1400	-	1300-1400
1500	-	1400-1500

AMB + AMD2 + AMB



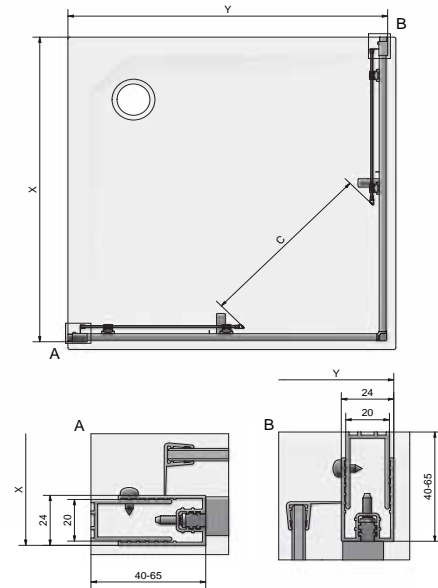
Variant	X (mm)	Y (mm)
800	766-776	-
900	866-876	-
1200	-	1100-1200
1300	-	1200-1300
1400	-	1300-1400
1500	-	1400-1500

■ PX R55



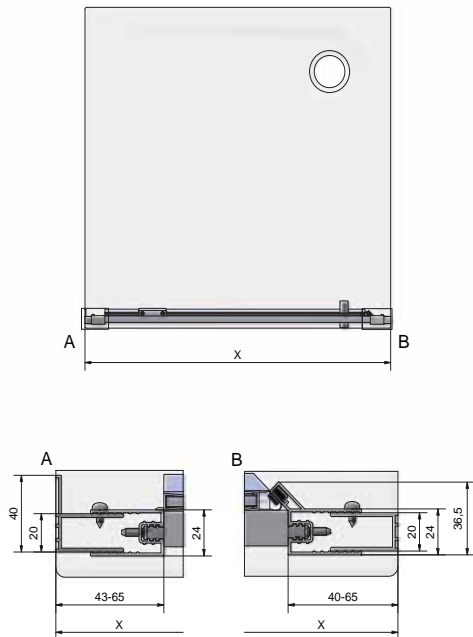
Variant	Y (mm)	C (mm)
800	765-790	380
900	865-790	500
1000	965-990	500

■ PX C2L + PX C2P



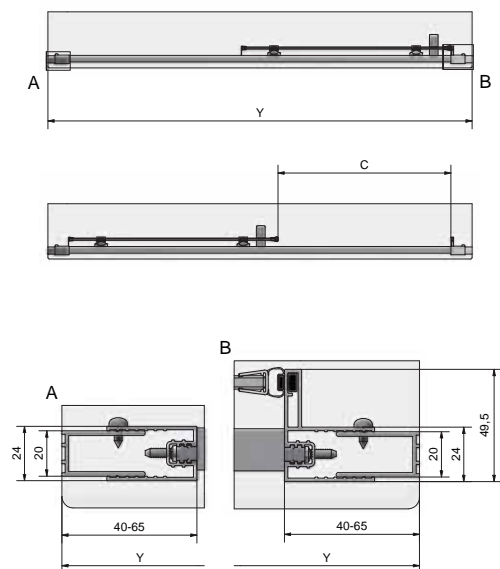
Variant	X (mm)	Y (mm)	C (mm)
800×800	765-790	765-790	430
900×900	865-790	865-790	500
1000×1000	965-990	965-990	570
1100×1100	1065-1090	1065-1090	640
1200×1200	1165-1190	1165-1190	710

■ PX PIV



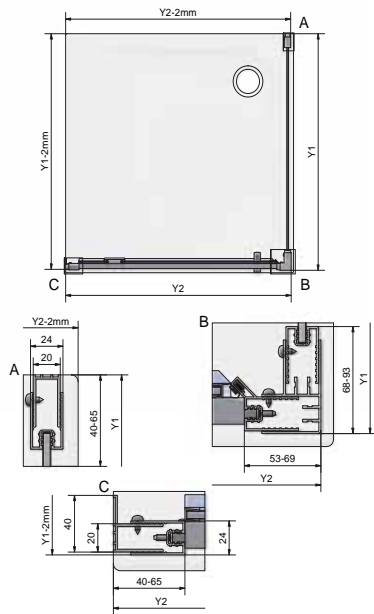
Variant	X (mm)
800	764-811
900	864-911
1000	964-1011
1100	1064-1111

■ PX D2N



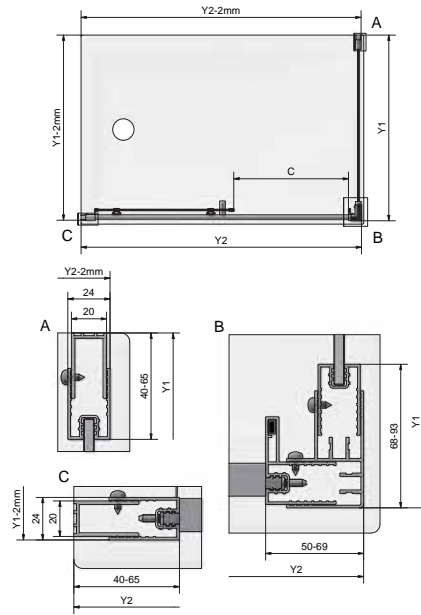
Variant	Y (mm)	Y (mm)
1200	1160-1210	490
1300	1260-1310	540
1400	1360-1410	590
1500	1460-1510	640
1600	1560-1610	690

■ PX PIV + PX FXP



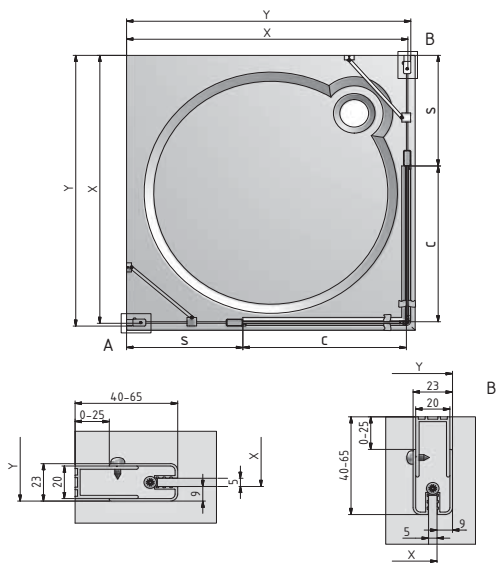
PX PIV	Y2 (mm)	PX FXP	Y1 (mm)
800	777-816	700	653-700
900	877-916	800	753-800
1000	977-1016	900	853-900
1100	1077-1116	1000	953-1000

■ PX D2N + PX FXP



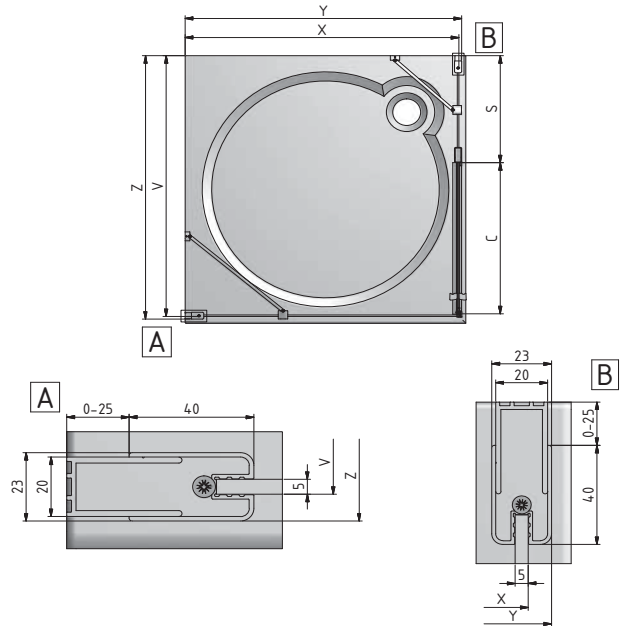
PX D2N	Y2 (mm)	C (mm)	PX FXP	Y1 (mm)
1200	1172-1214	490	700	653-700
1300	1272-1314	540	800	753-800
1400	1372-1414	590	900	853-900
1500	1472-1514	640	1000	953-1000
1600	1572-1614	690		

■ LYE4 + LYE4



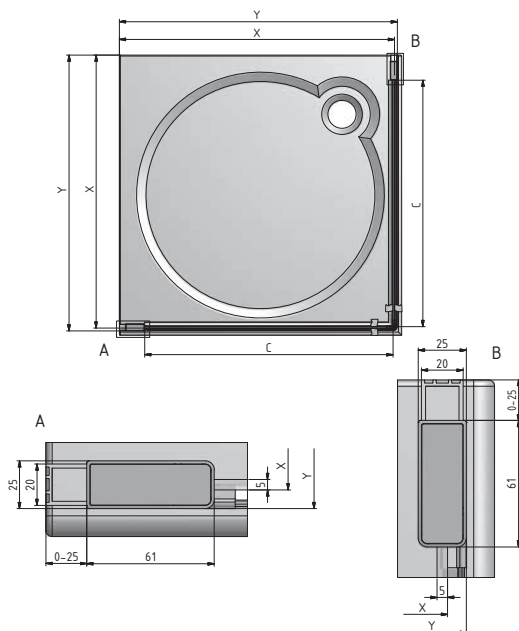
Variant	X (mm)	Y (mm)	S (mm)	C (mm)
800	758-783	767-792	243-268	510
900	858-883	867-892	343-368	510
1000	958-983	967-992	443-468	510
1100	1058-1083	1067-1092	443-468	610
1200	1158-1183	1167-1192	443-468	710

■ LYE4 + LYSW1S



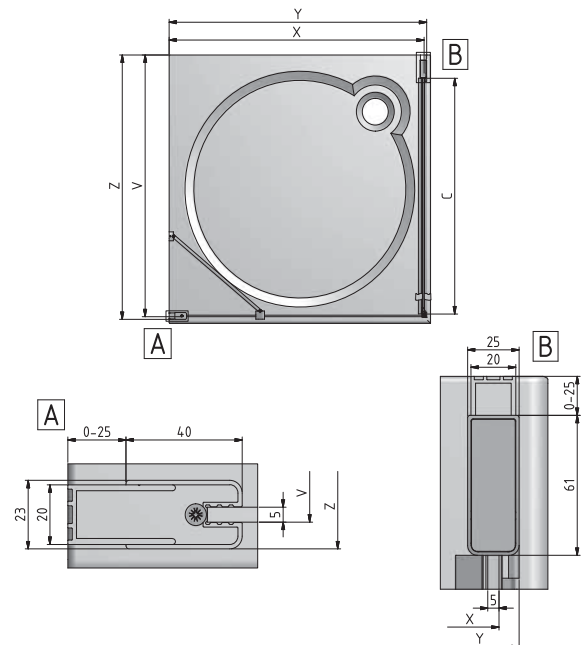
Variant	X (mm)	Y (mm)	V (mm)	Z (mm)	S (mm)	C (mm)
800	758-783	767-792	761-786	770-795	243-268	510
900	858-883	867-892	861-886	870-895	343-368	510
1000	958-983	967-992	961-986	970-995	443-468	510
1100	-	-	1061-1086	1070-1095	443-468	610
1200	-	-	1161-1186	1170-1195	443-468	710

■ LYE2 + LYE2



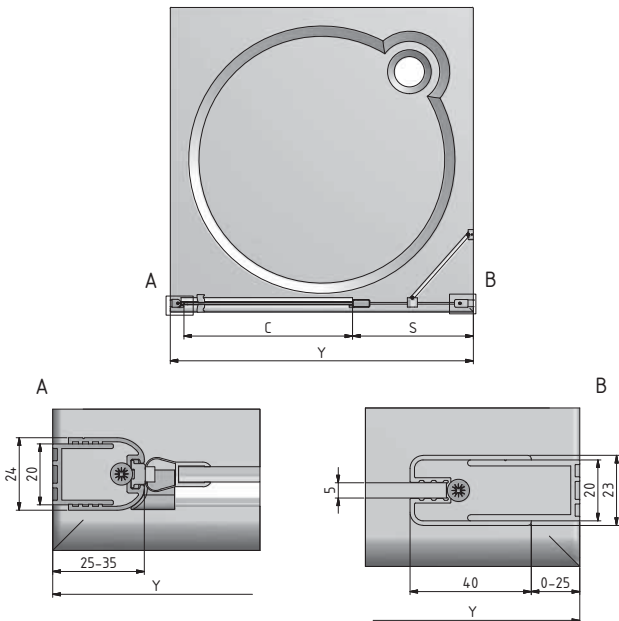
Variant	X (mm)	Y (mm)	C (mm)
800	758-783	767-792	690
900	858-883	867-892	790
1000	958-983	967-992	890

■ LYE2 + LYSW1S



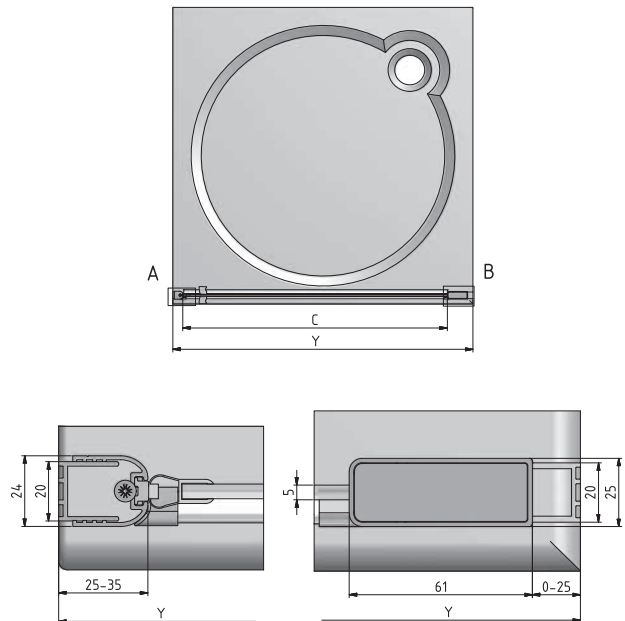
Variant	X (mm)	Y (mm)	V (mm)	Z (mm)	C (mm)
800	758-783	767-792	761-786	770-795	690
900	858-883	867-892	861-886	870-895	790
1000	958-983	967-992	961-986	970-995	890

■ LYE4 + LZ



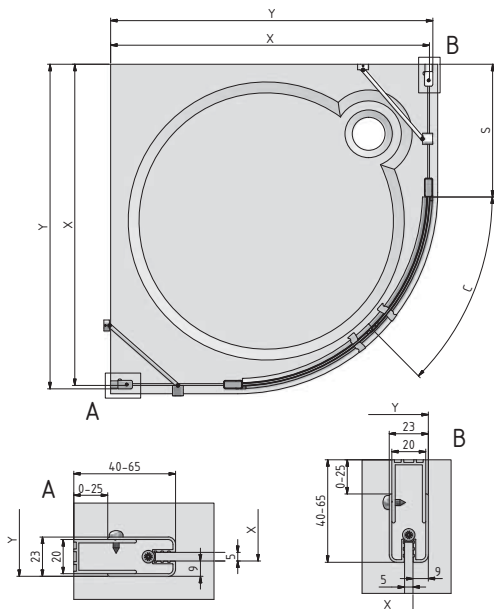
Variant	Y (mm)	C (mm)	S (mm)
800	780-815	510	243-268
900	880-915	510	343-368
1000	980-1015	510	443-468
1100	1080-1115	610	443-468
1200	1180-1215	710	443-468

■ LYE2 + LZ



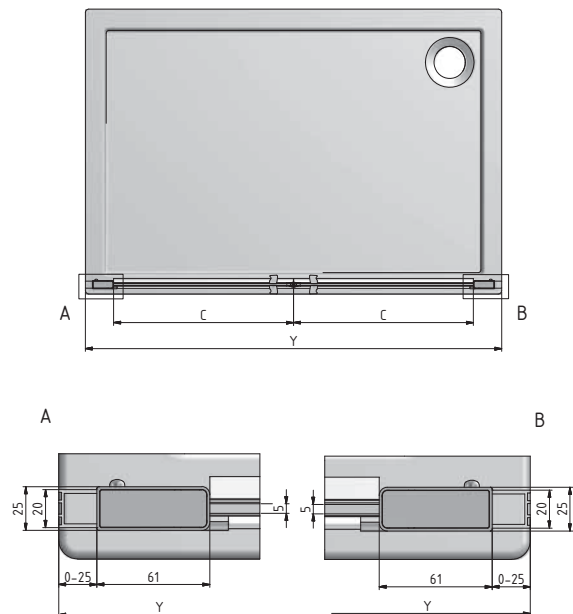
Variant	Y (mm)	C (mm)
800	780-815	690
900	880-915	790
1000	980-1015	890

■ LYR4



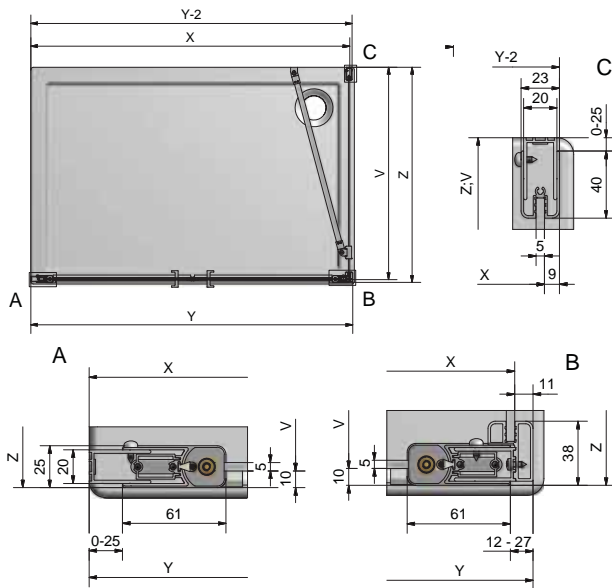
Variant	X (mm)	Y (mm)	S (mm)	C (mm)
800	758-783	767-792	243-268	395
900	858-883	867-892	343-368	395
1000	958-983	967-992	443-468	395

■ LYP2



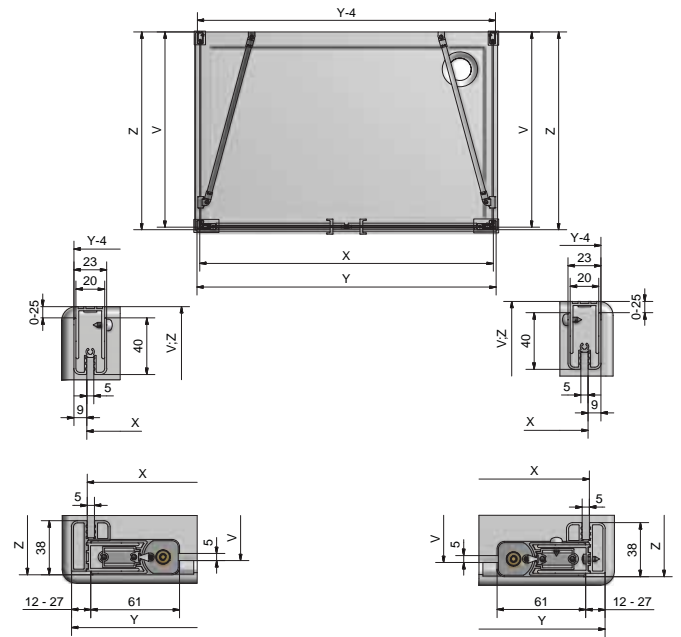
Variant	Y (mm)	C (mm)
800	760-810	320
900	860-910	370
1000	960-1010	420
1100	1060-1110	470
1200	1160-1210	520

■ LYP2 + LYSW1AP2



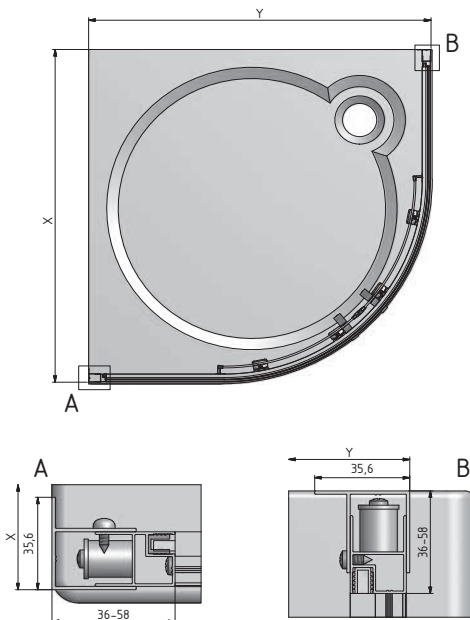
Variant	X (mm)	Y (mm)	V (mm)	Z (mm)
750	-	-	725-750	735-760
800	749-789	760-800	775-800	785-810
900	849-889	860-900	875-900	885-910
1000	949-989	960-1000	975-1000	985-1010
1100	1049-1089	1060-1100	-	-
1200	1149-1189	1160-1200	-	-

■ LYSW1AP2 + LYP2 + LYSW1AP2



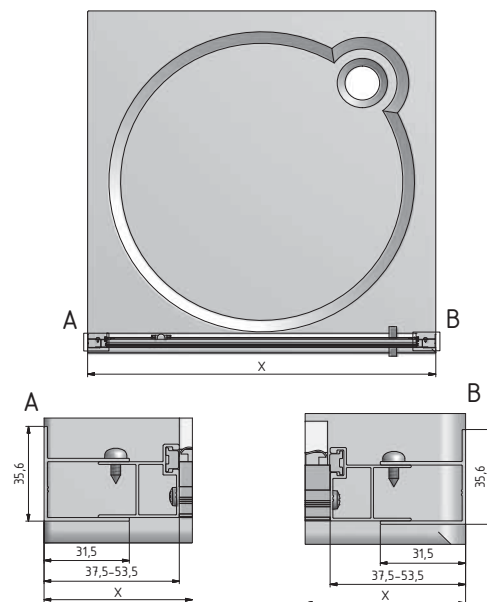
Variant	X (mm)	Y (mm)	V (mm)	Z (mm)
750	-	-	725-750	735-760
800	762-792	784-814	775-800	785-810
900	862-892	884-914	875-900	885-910
1000	962-992	984-1014	975-1000	985-1010
1100	1062-1092	1084-1114	-	-
1200	1162-1192	1184-1214	-	-

■ LLR2



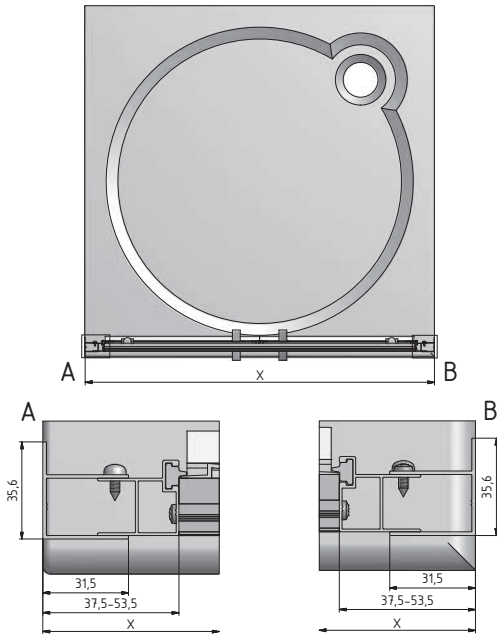
Variant	X (mm)	Y (mm)
800	776-798	776-798
900	876-898	876-898

■ LLD01



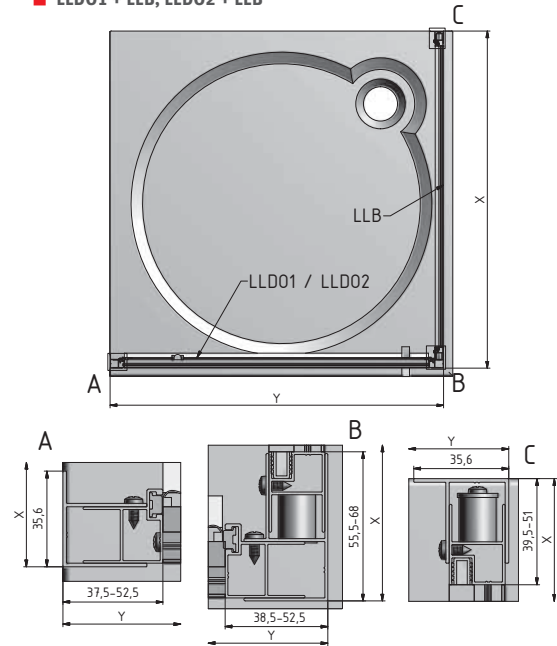
Variant	X (mm)
700	675-707
800	775-807
900	875-907
1000	975-1007

■ LLD02



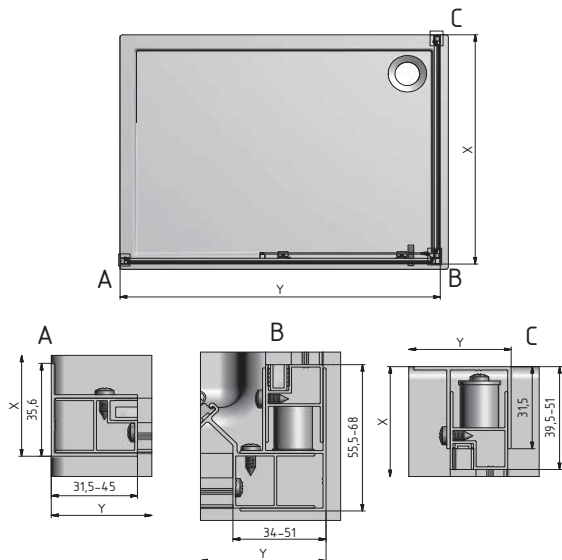
Variant	X (mm)
700	672-704
800	772-804
900	872-904
1000	972-1004

■ LLD01 + LLB, LLD02 + LLB



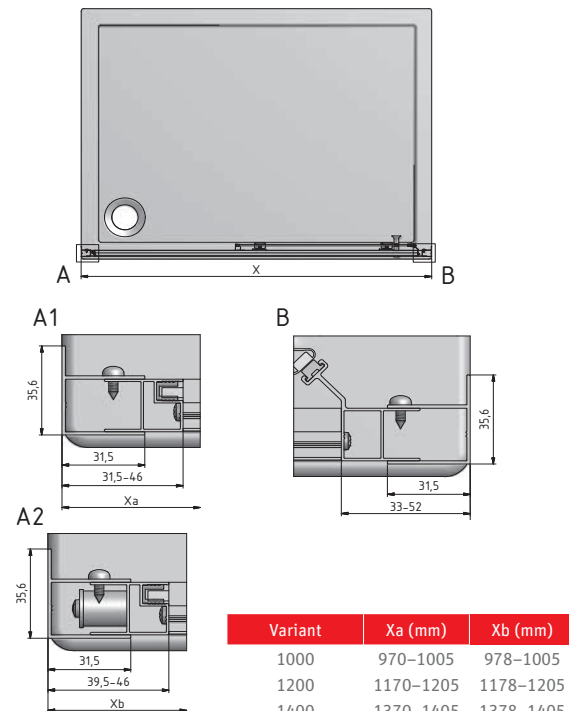
Variant	X (mm)	Y (mm)
700	679-705	675-705
750	729-755	-
800	779-805	775-805
900	879-905	875-905
1000	979-1005	975-1005

■ LLD2 + LLB



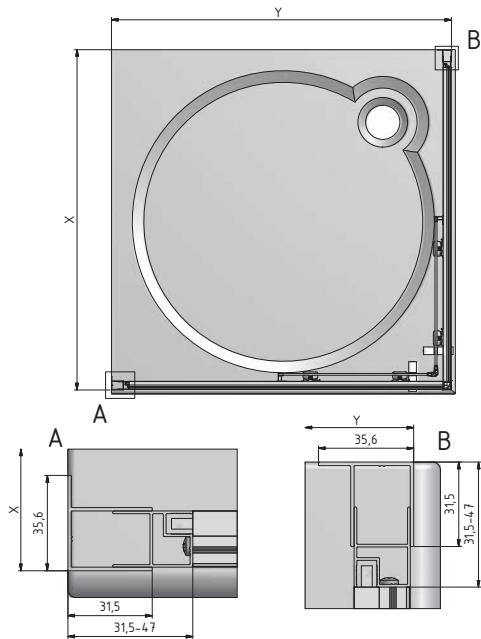
Variant	X (mm)	Y (mm)
700	679-705	-
750	729-765	-
800	779-805	-
900	879-905	-
1000	979-1005	970-1005
1200	-	1170-1205
1400	-	1370-1405
1600	-	1570-1605

■ LLD2



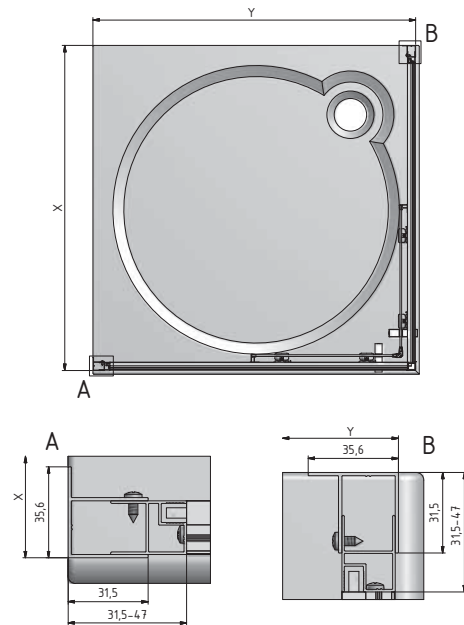
Variant	Xa (mm)	Xb (mm)
1000	970-1005	978-1005
1200	1170-1205	1178-1205
1400	1370-1405	1378-1405
1600	1570-1605	1578-1605
1700	1670-1705	1678-1705
1800	1770-1805	1778-1805

■ LLS2 - preassembled



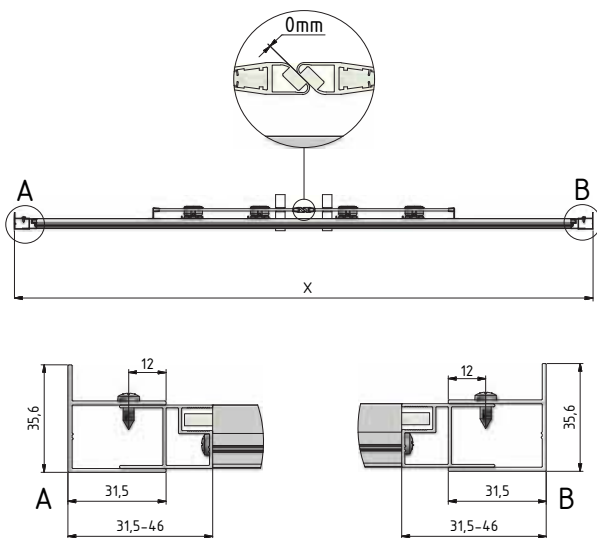
Variant	X (mm)	Y (mm)
800x800	775-790	775-790
900x900	875-890	875-890

■ LLS2 - standard



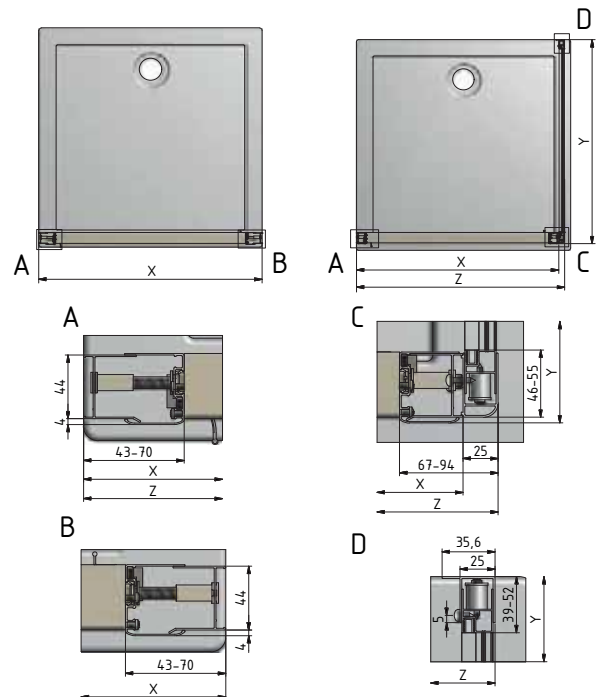
Variant	X (mm)	Y (mm)
1000x800 (800x1000)	975-990 (775-790)	775-790 (975-990)
1200x800 (800x1200)	1175-1190 (775-790)	775-790 (1175-1190)
1200x900 (900x1200)	1175-1190 (875-890)	875-890 (1175-1190)

■ LLD4



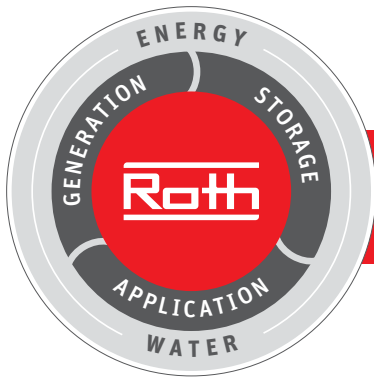
Variant	X (mm)
1100	1080-1110
1200	1180-1210
1300	1280-1310
1400	1380-1410
1500	1480-1510
1600	1580-1610

■ PD3N + LLBD



PD3N	X (mm)	Z (mm)
800	750-805	775-830
900	850-905	875-930
1000	950-1005	975-1030

LLBD	Y (mm)
700	675-695
750	725-745
800	775-795
900	875-895
1000	975-995



Roth Energy and Sanitary Systems

Generation

- Solar systems <
- Heat pump systems <

Storage

- Storage systems for
- Domestic & heating water <
- Combustibles and biofuels <
- Rainwater and waste water <

Application

- > Radiant heating and cooling systems
- > Pipe installation systems
- > Shower systems

Roth

Roth Czech s.r.o.

Třebořov 160
569 33 Czech Republic
tel.: +420 461 353 611
e-mail: objednavky@roth-czech.cz
www.roth-czech.cz/en