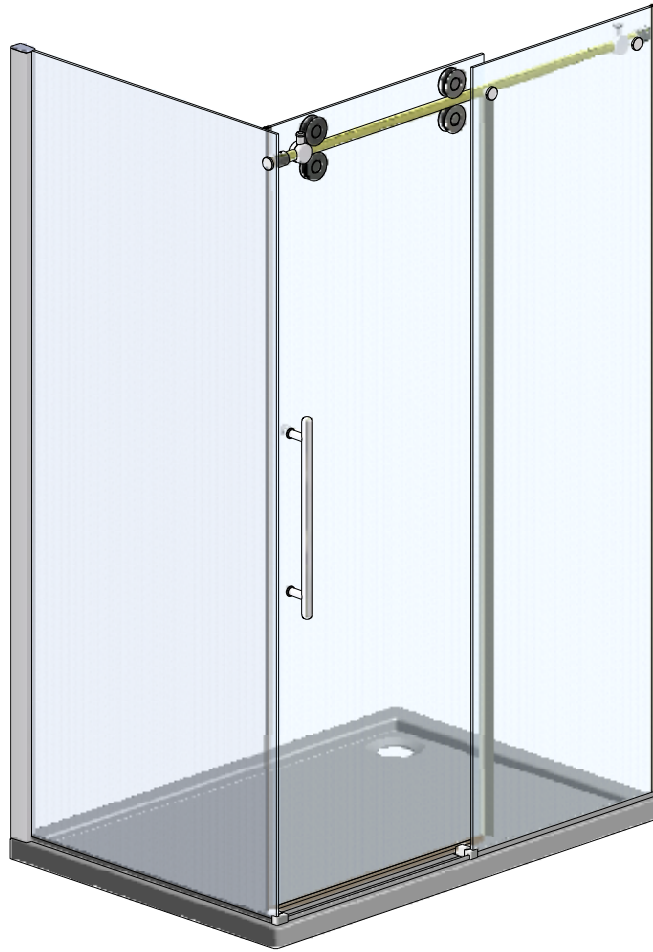
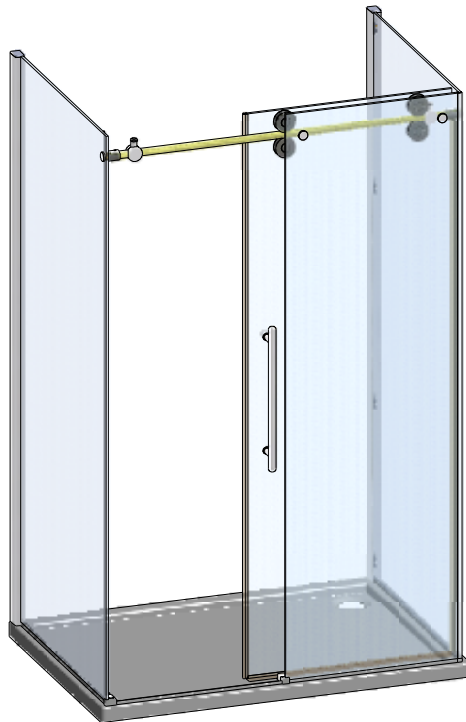
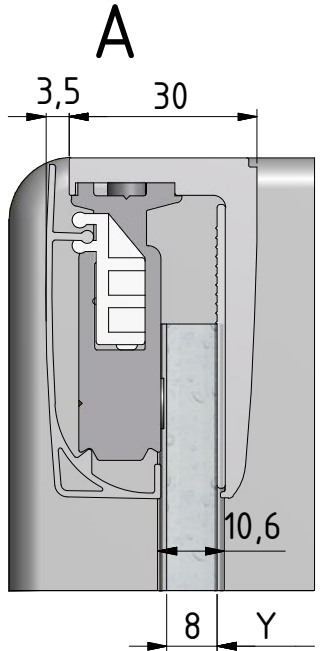
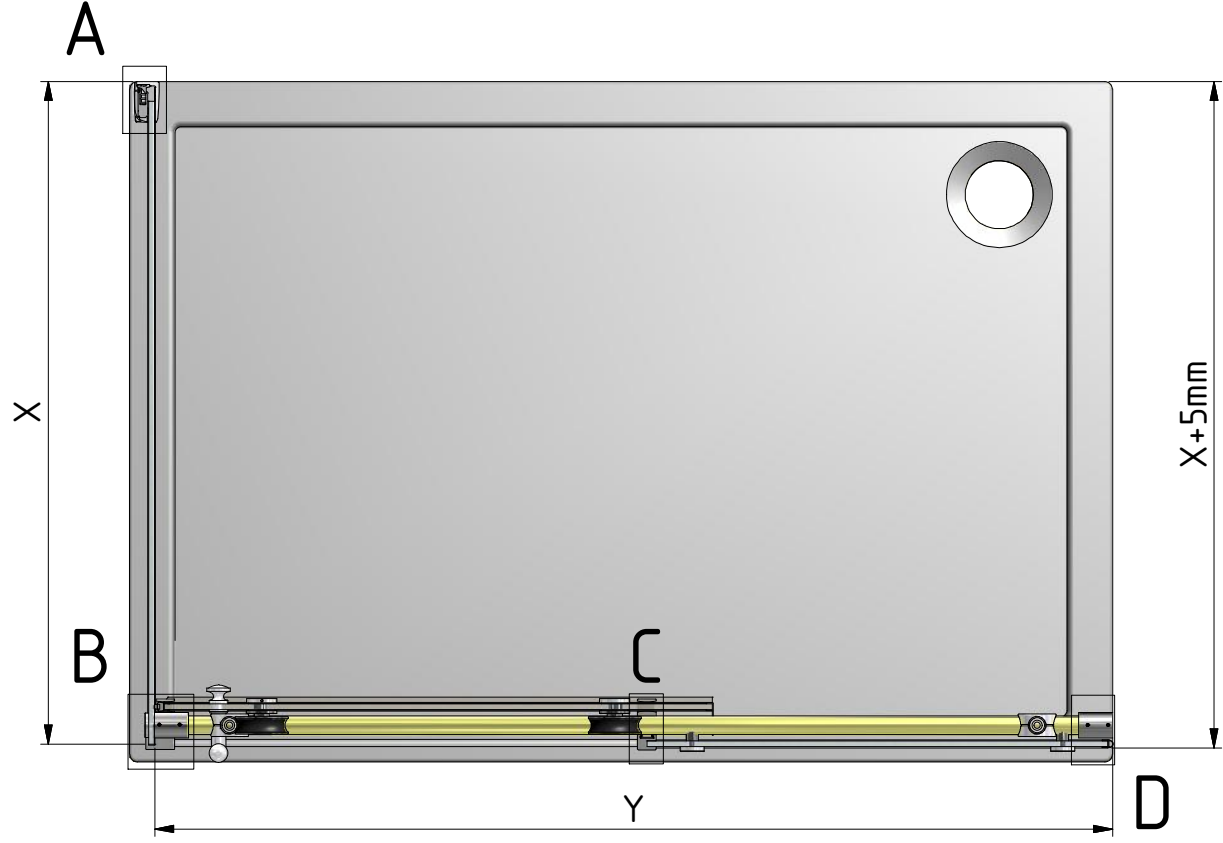


KIB + KID2

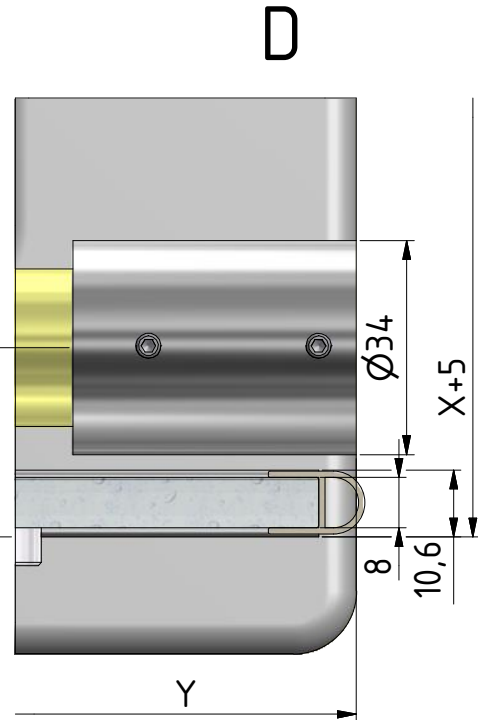
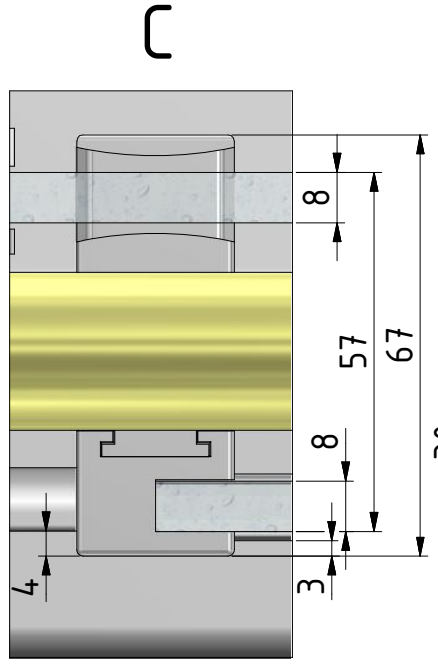
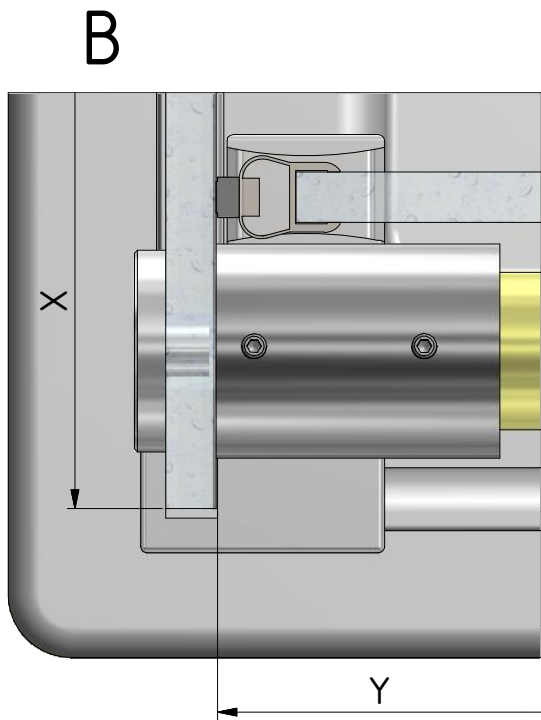


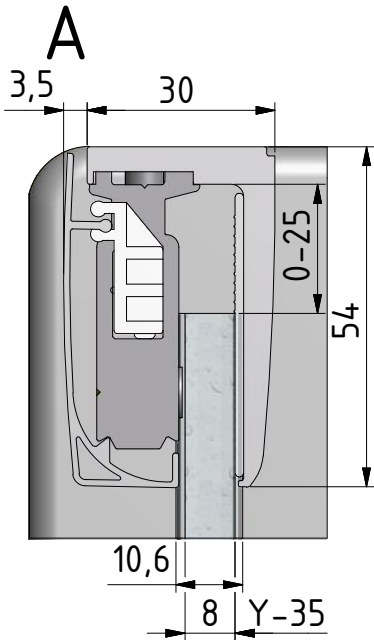
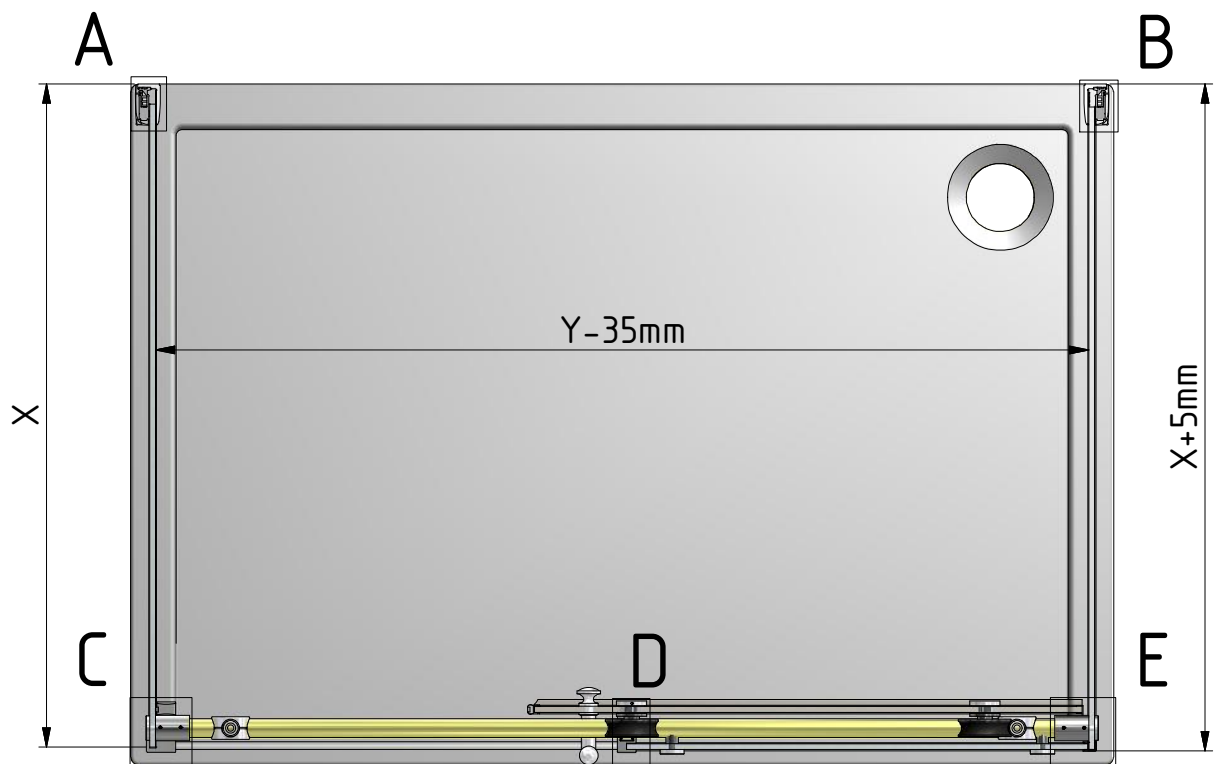
KIB + KID2 + KIB



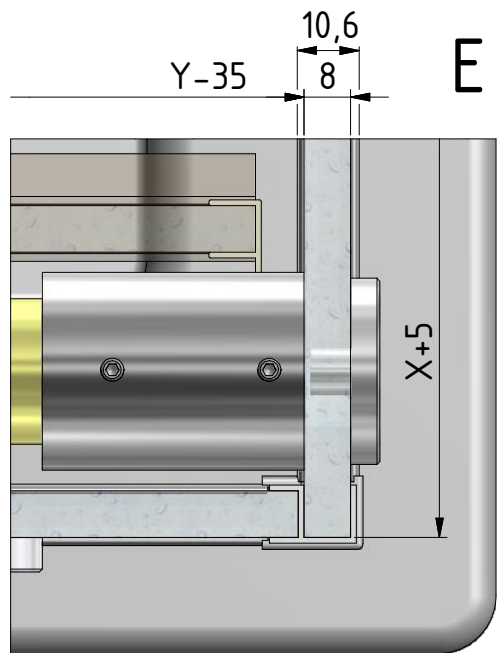
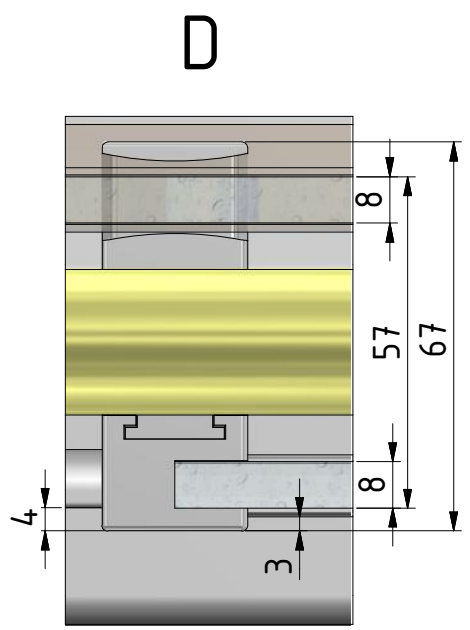
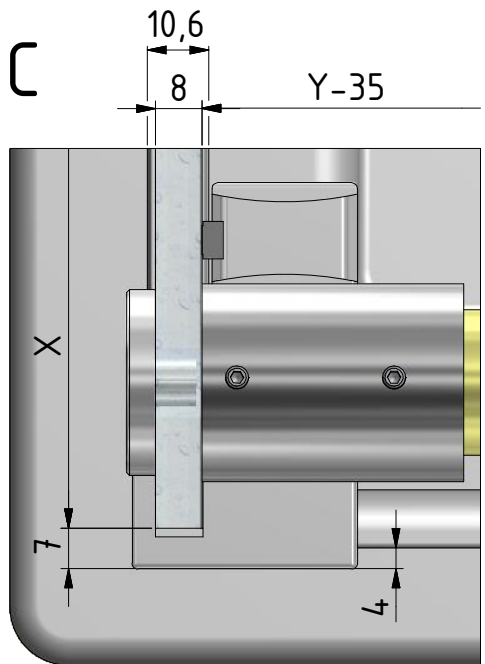
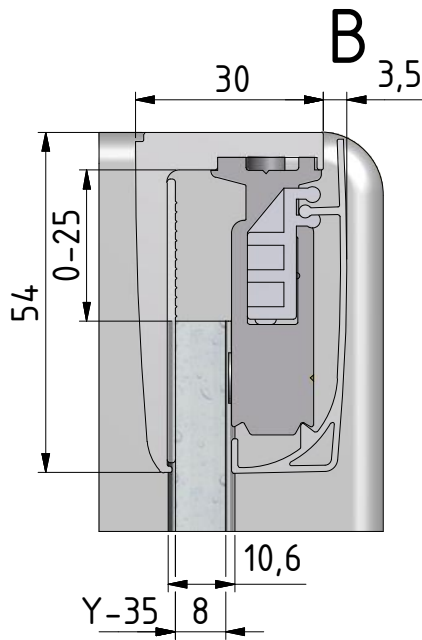


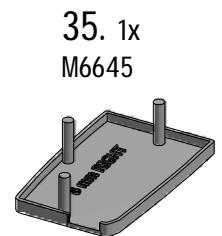
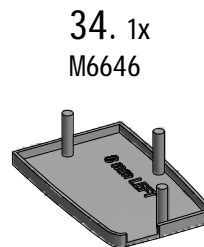
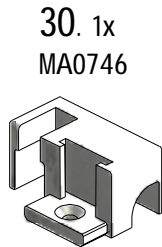
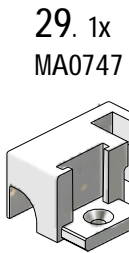
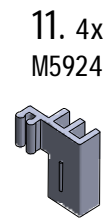
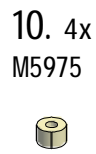
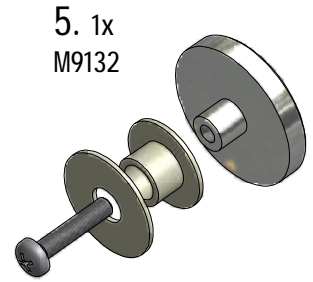
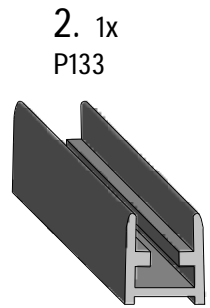
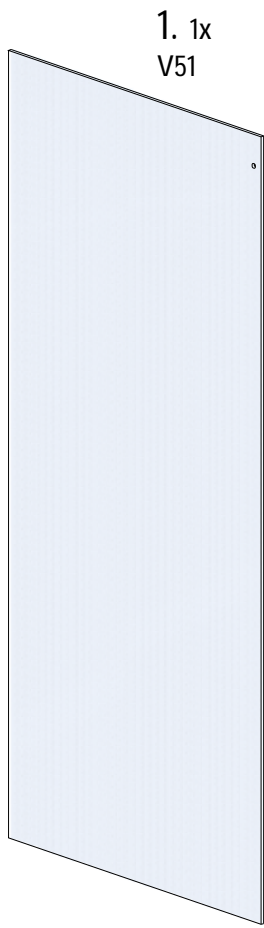
	Y mm	X mm
900	-	855-880
1000	-	955-980
1300	1150-1310	-
1500	1300-1510	-
1800	1500-1810	-
2000	1800-2010	-



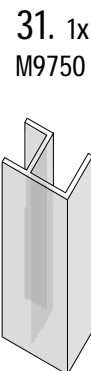
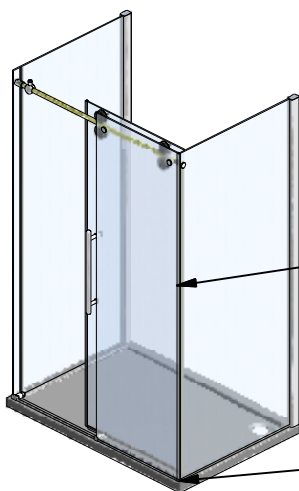


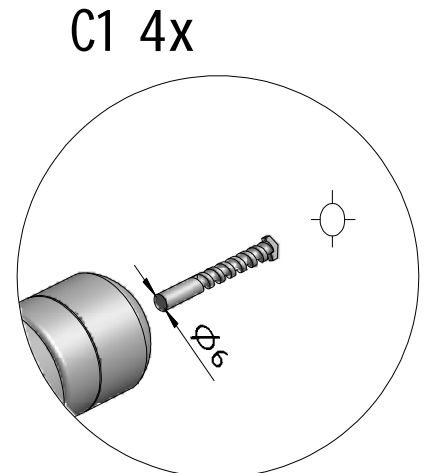
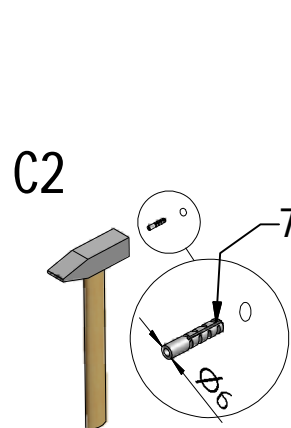
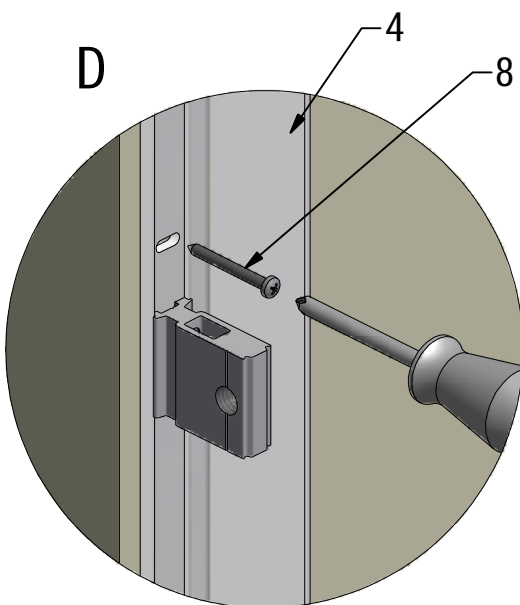
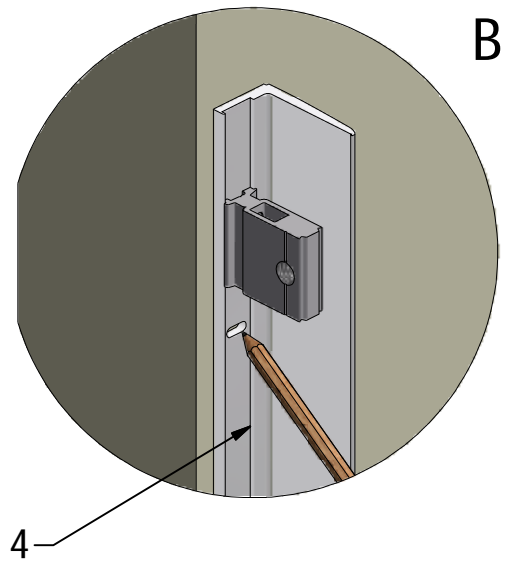
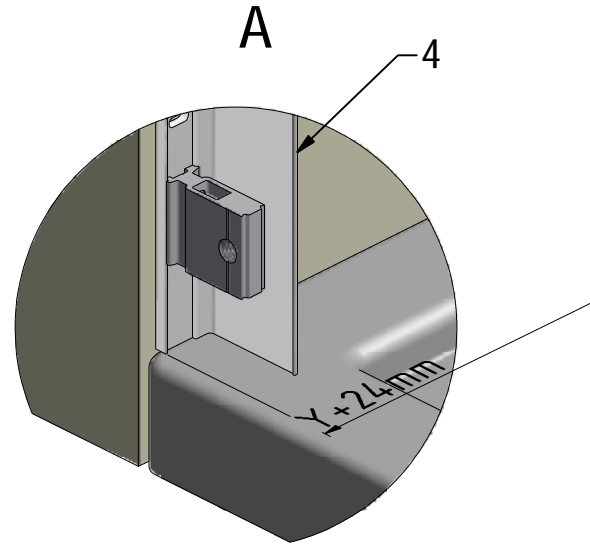
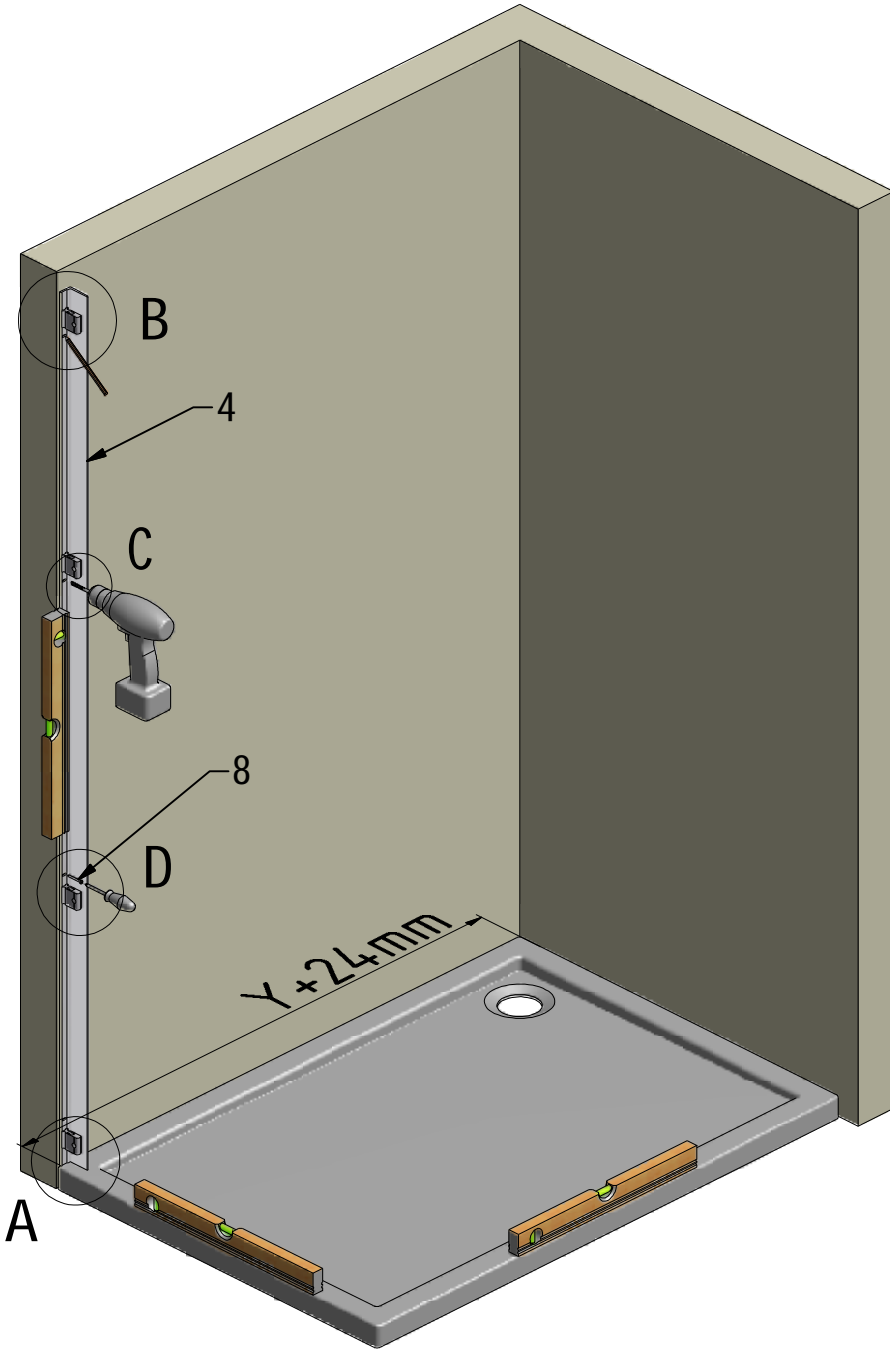
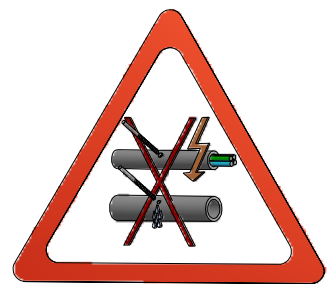
	Y mm	X mm
900	-	855-880
1000	-	955-980
1300	1150-1310	-
1500	1300-1510	-
1800	1500-1810	-
2000	1800-2010	-

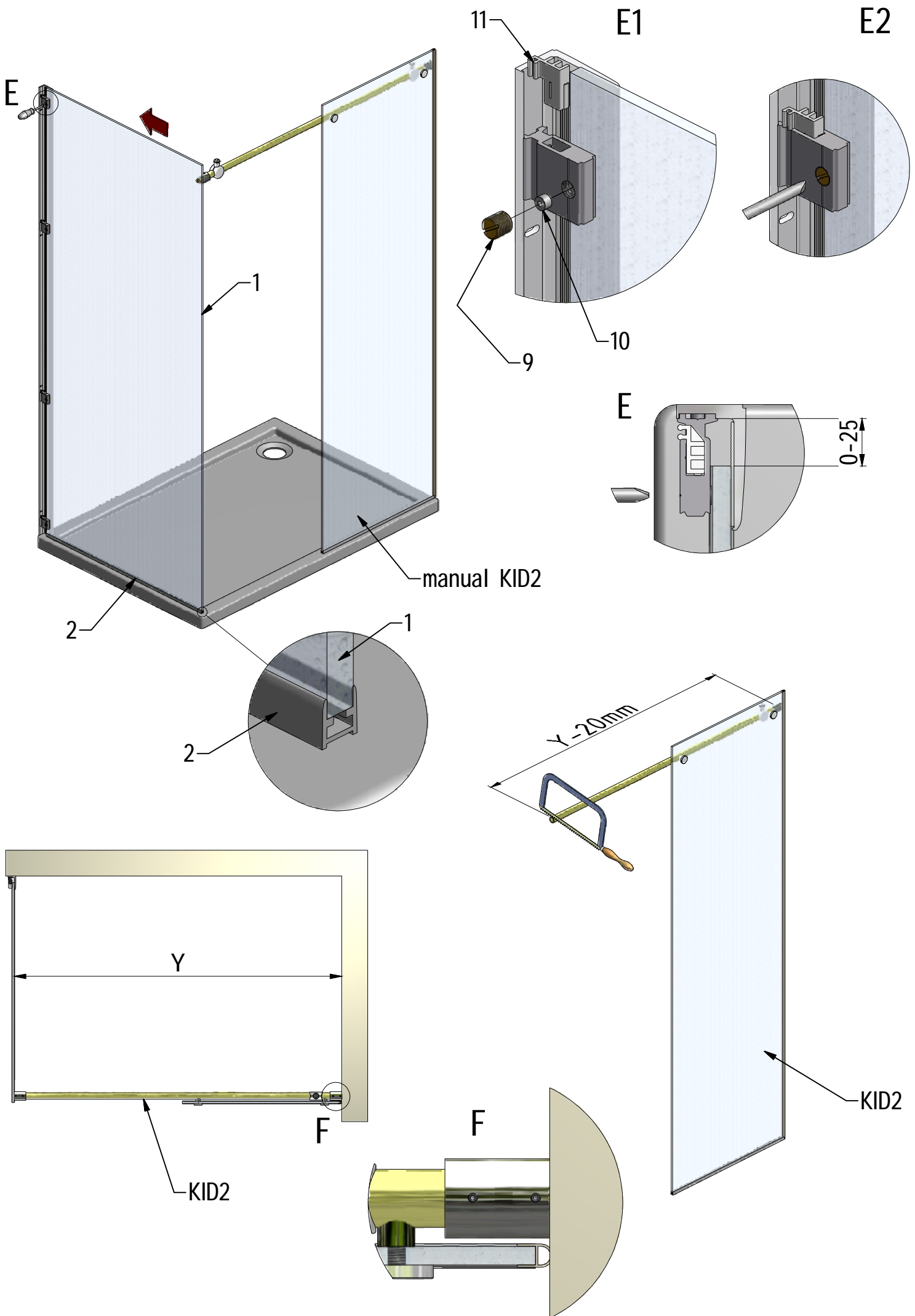


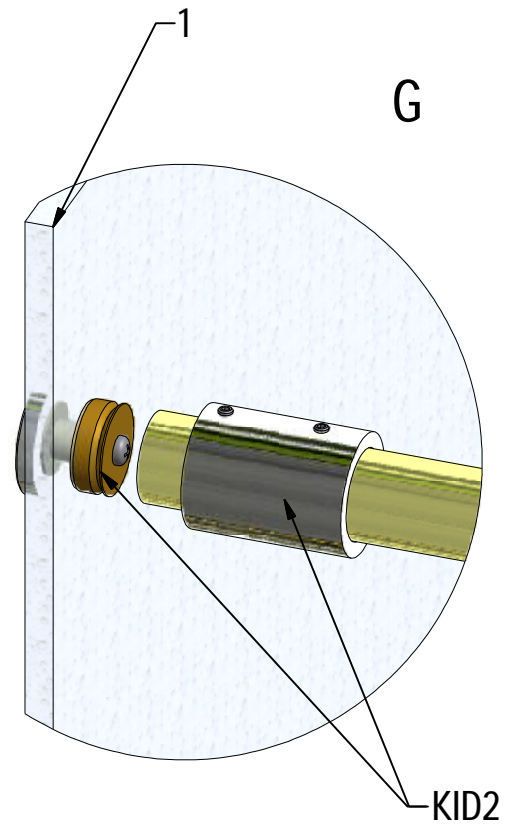
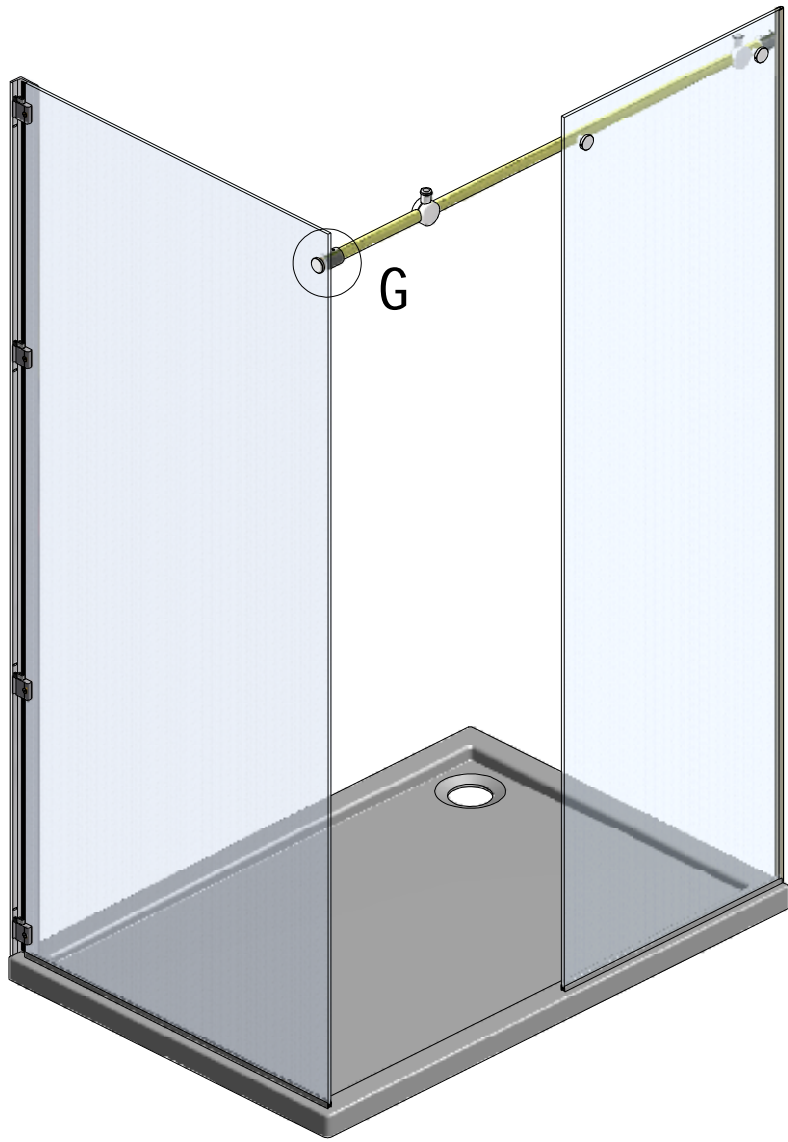


KIB + KID2 + KIB

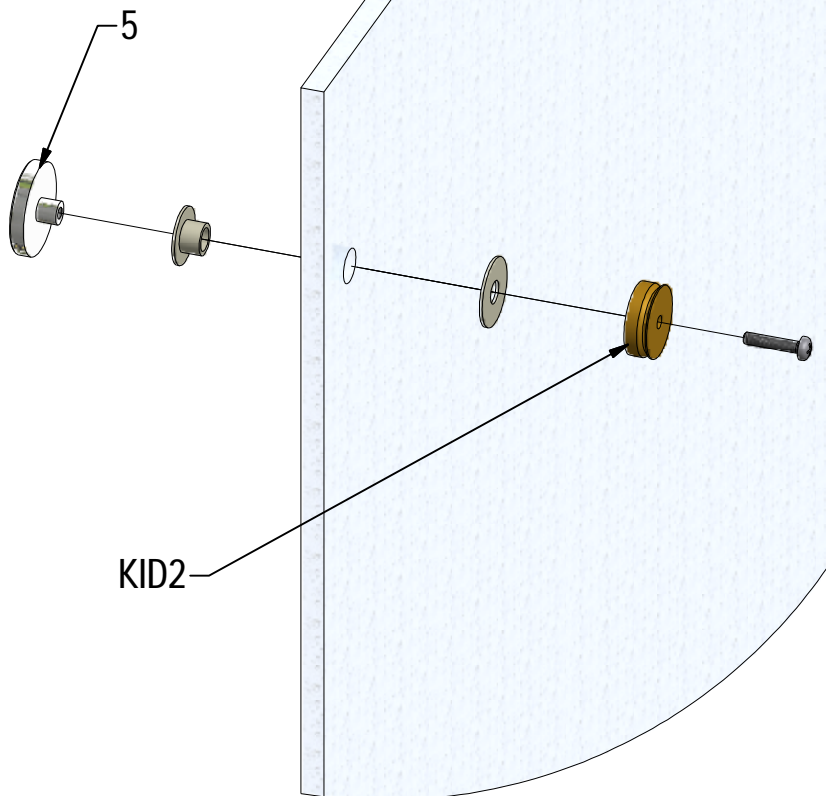




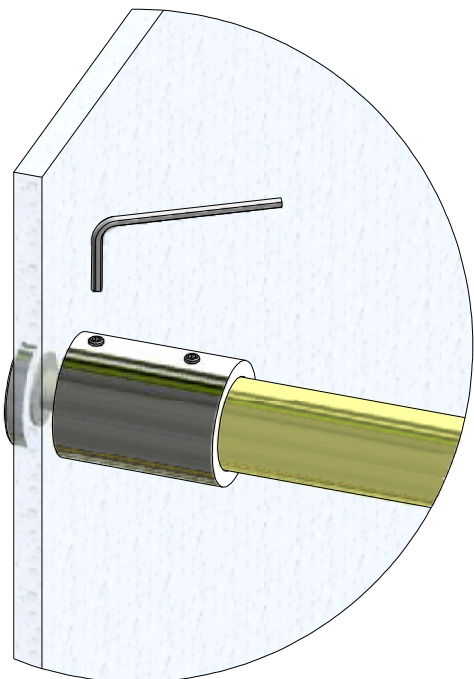


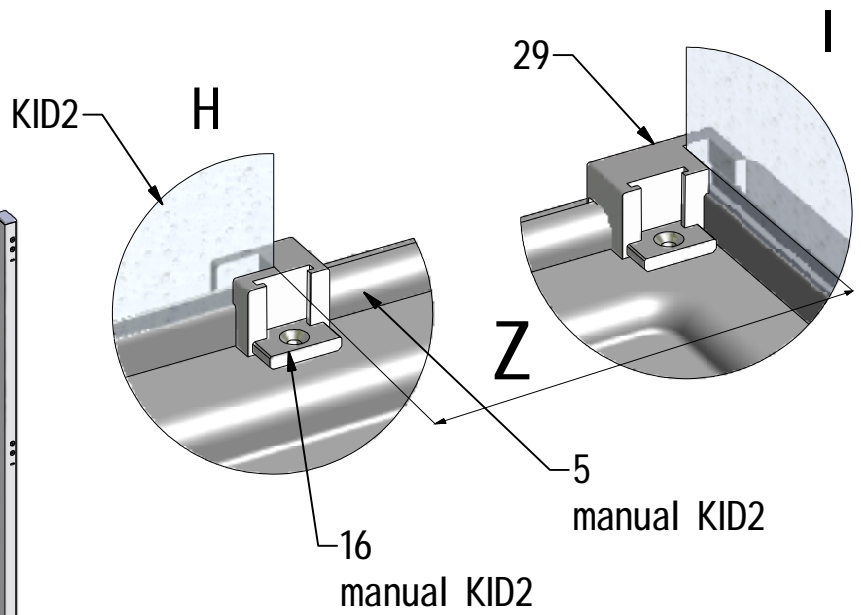
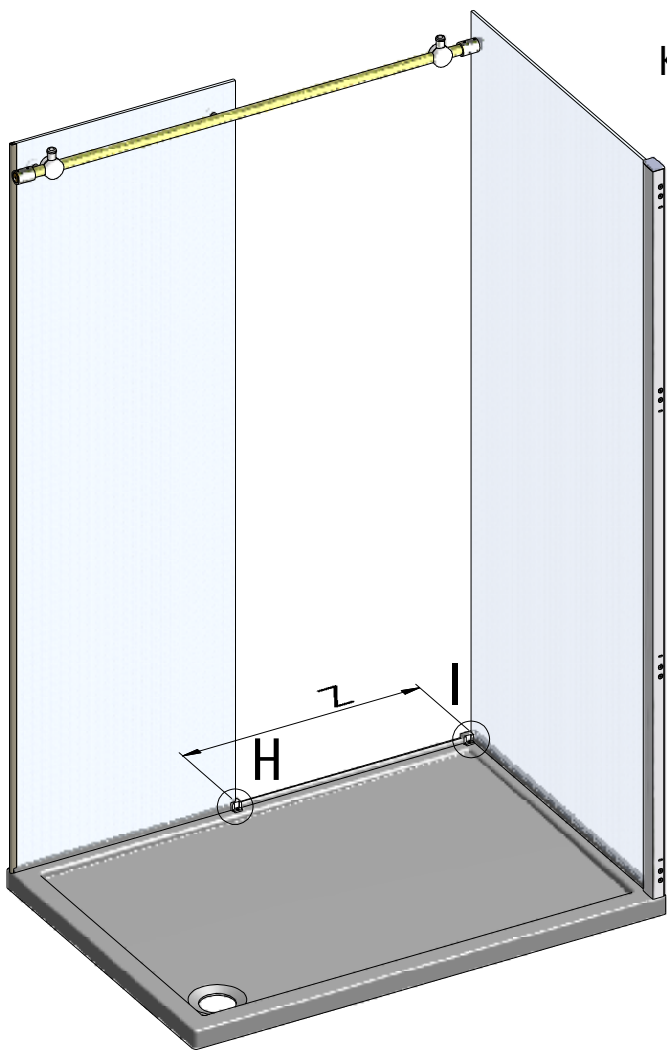


G1

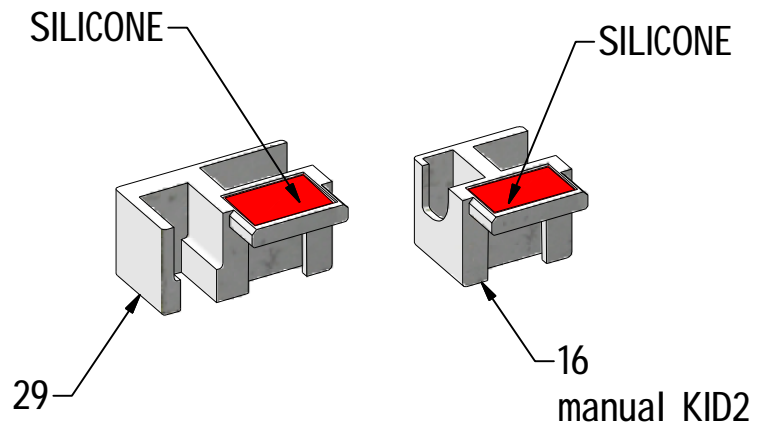


G2

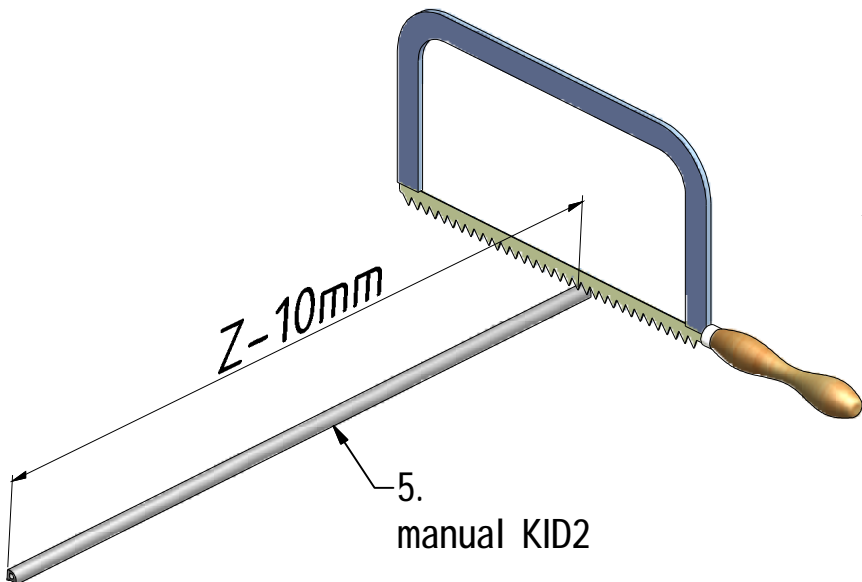
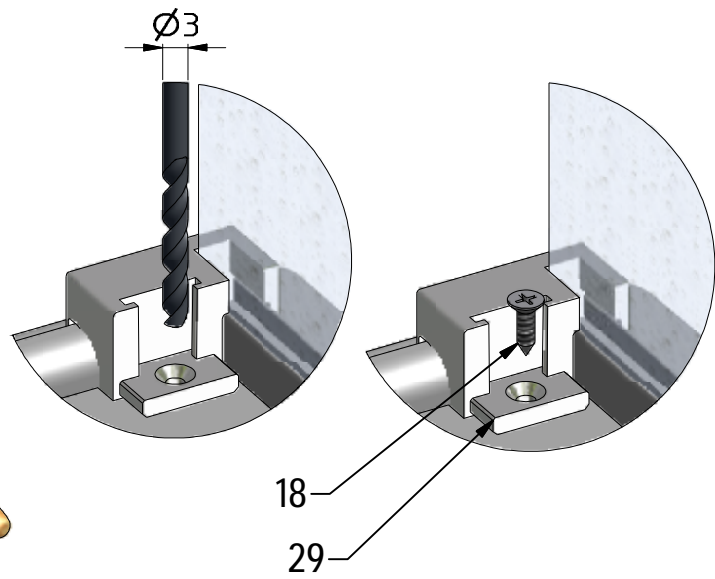


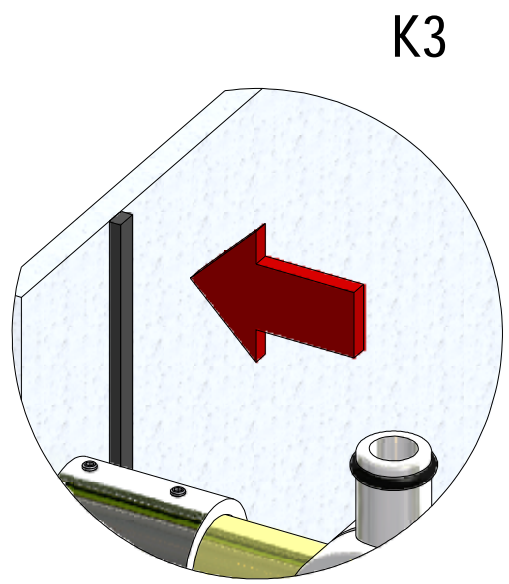
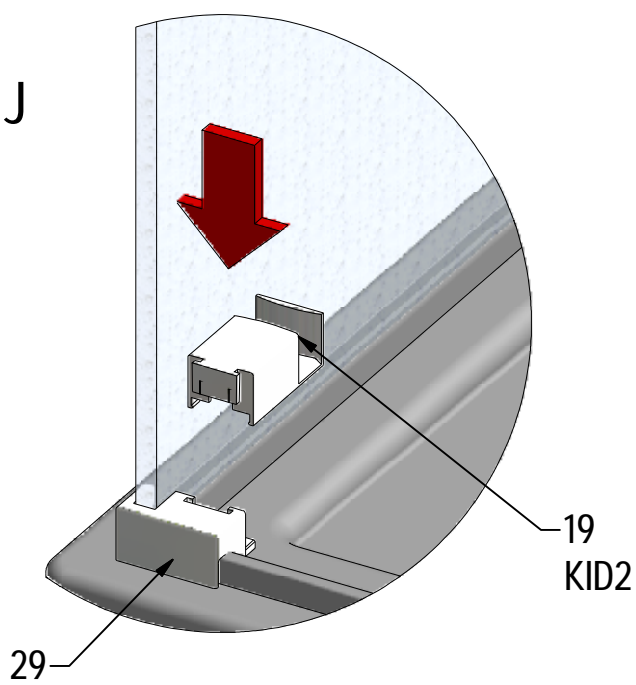
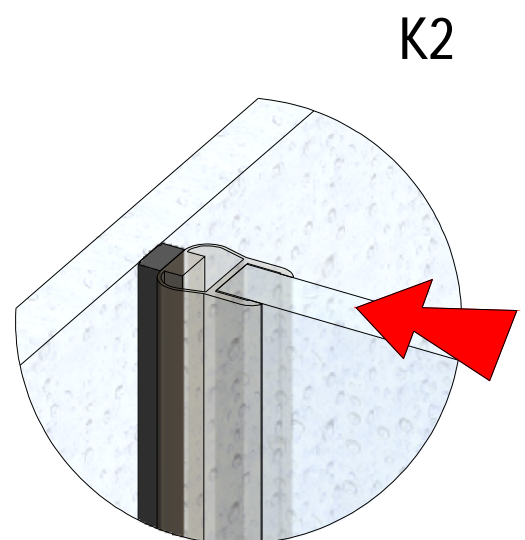
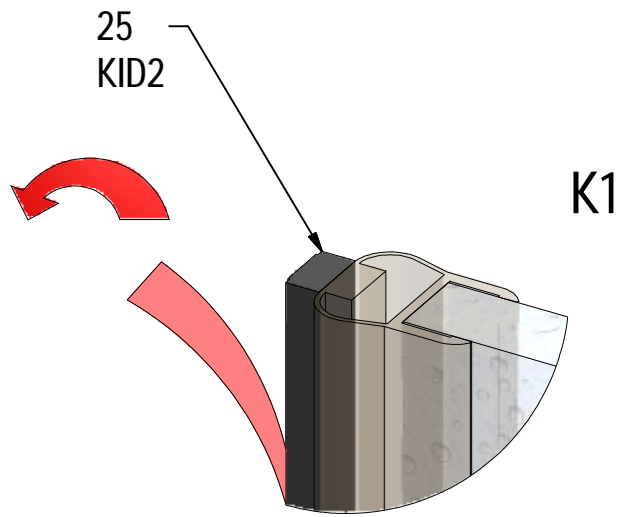
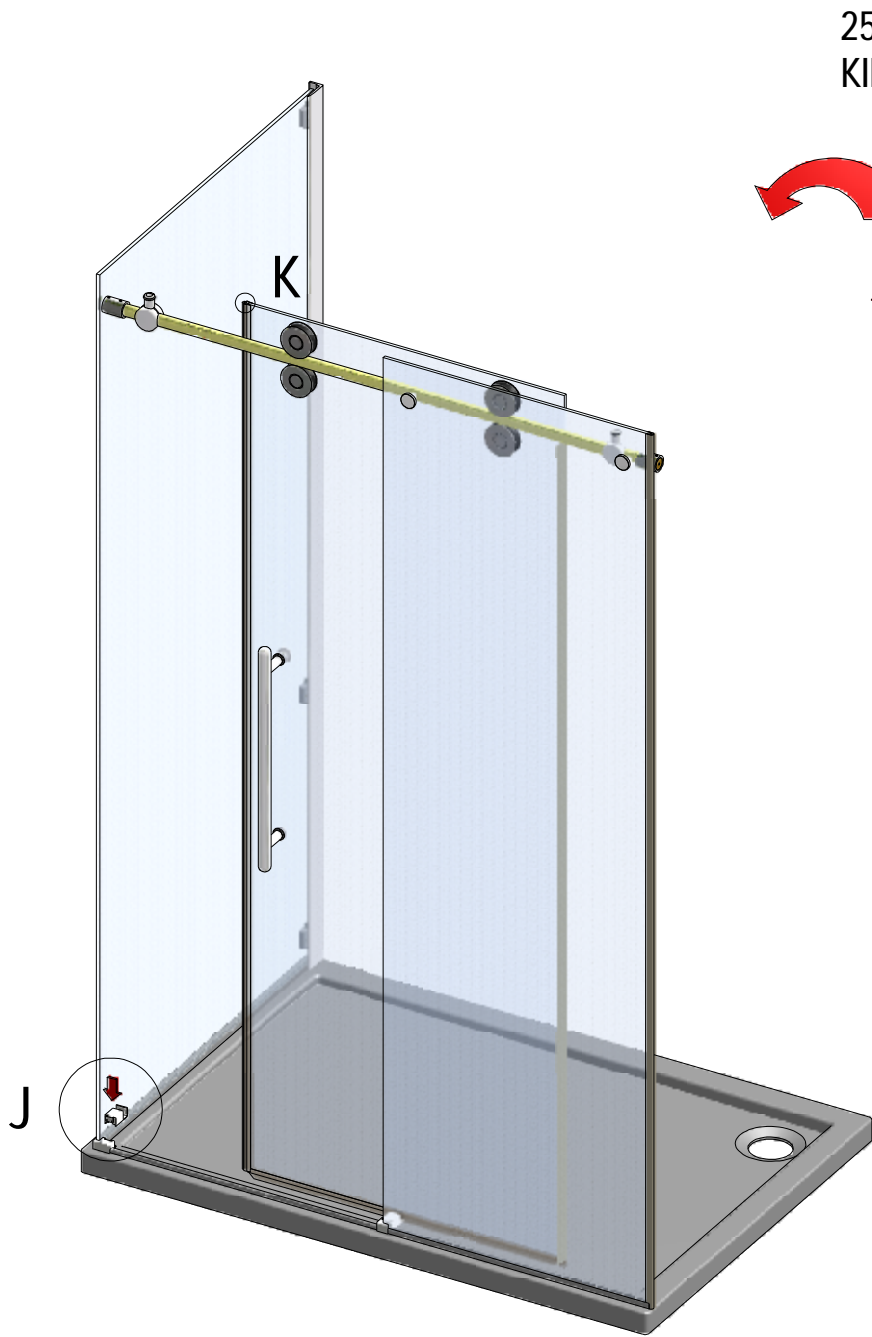


VARIANT A



VARIANT B







SILICON

L

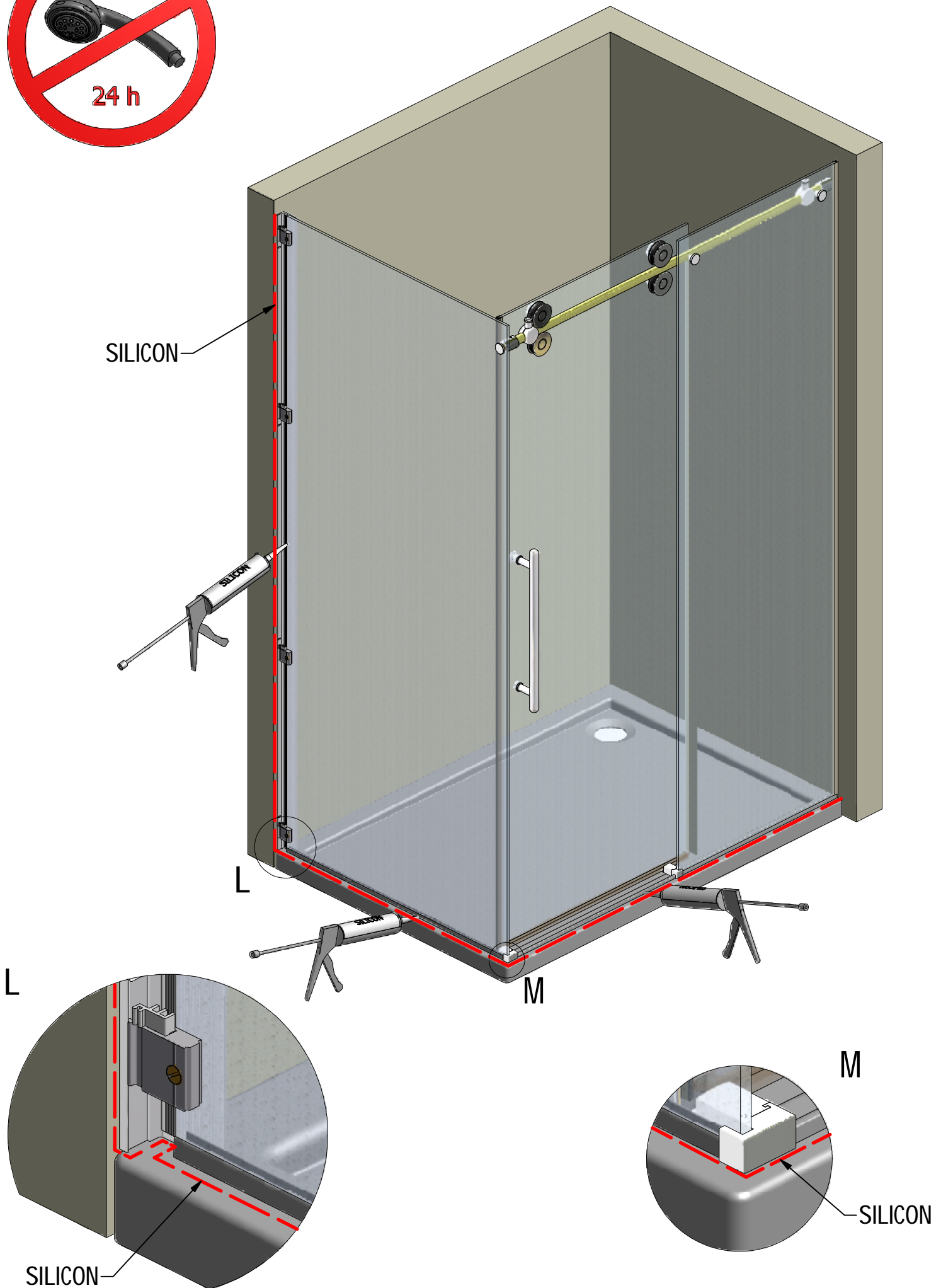
M

L

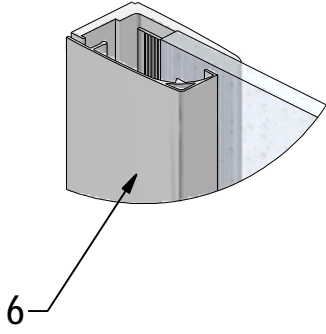
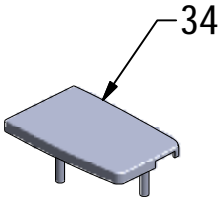
M

SILICON

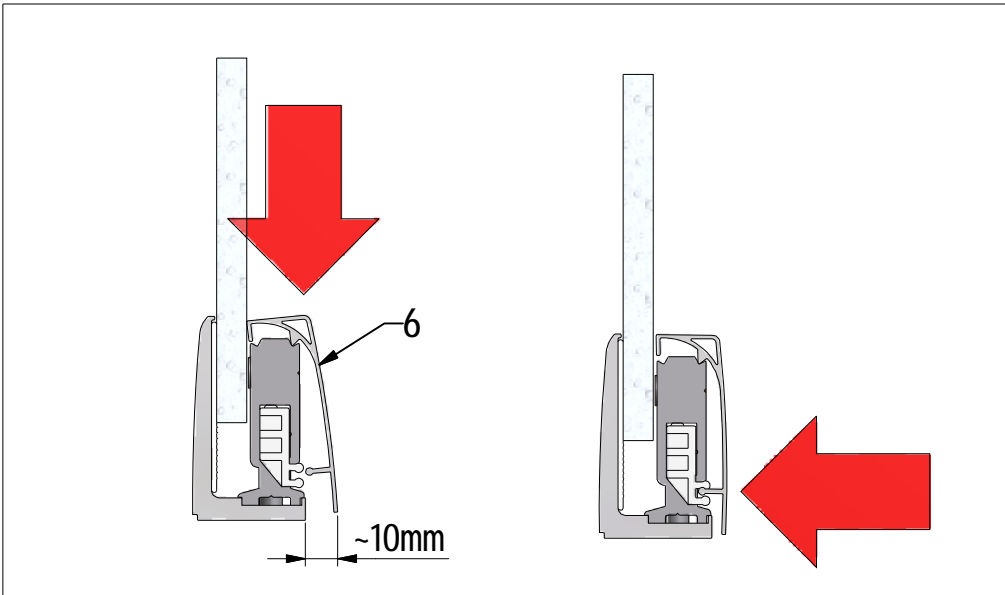
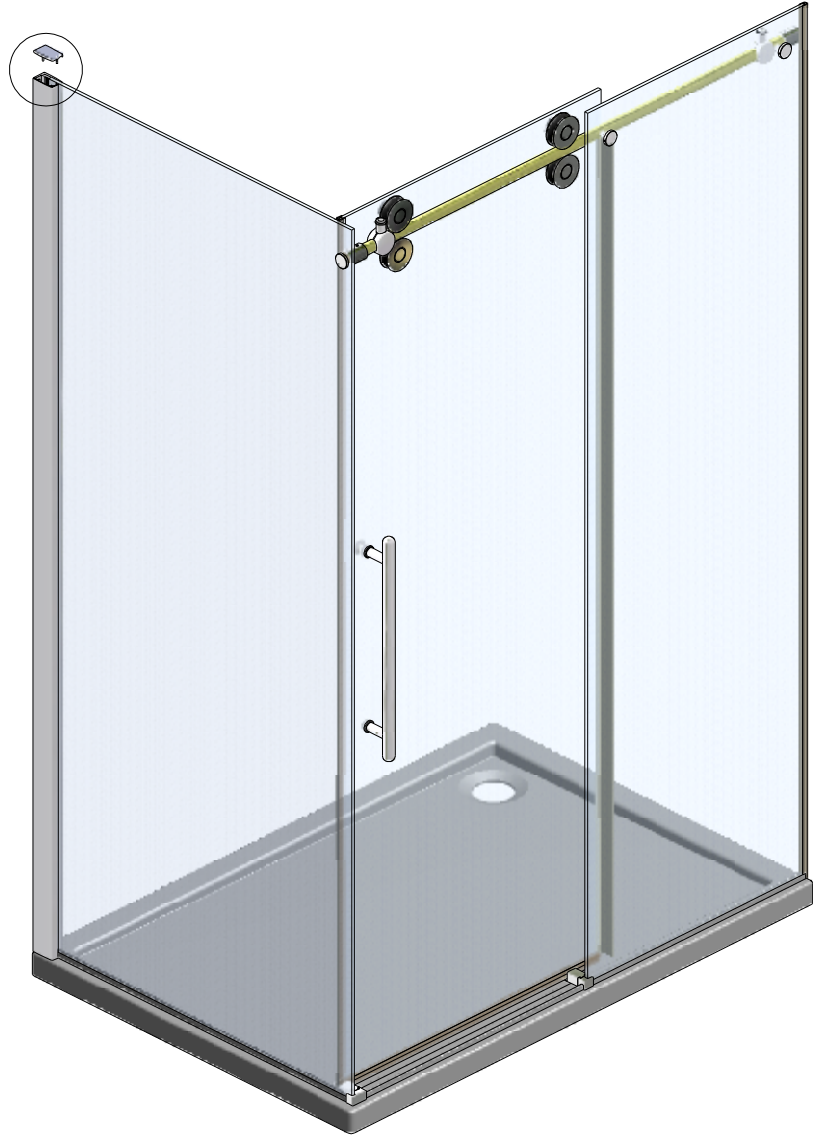
SILICON



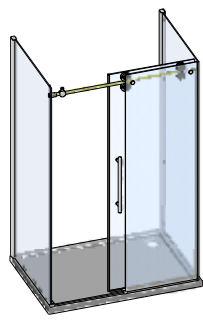
N



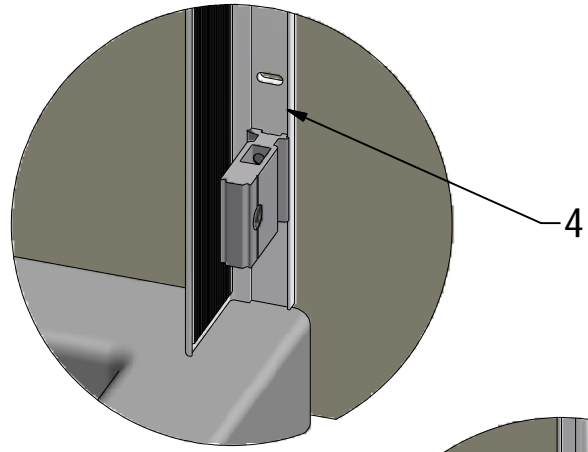
N



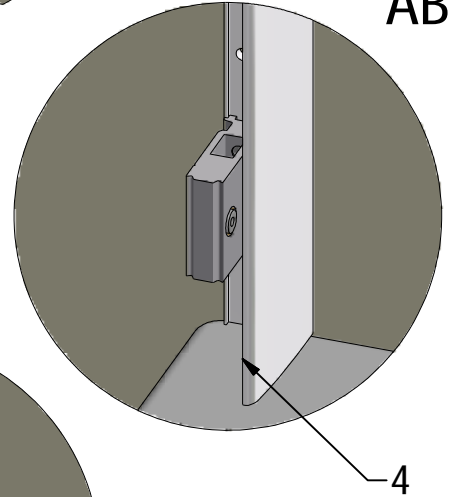
KIB + KID2 + KIB



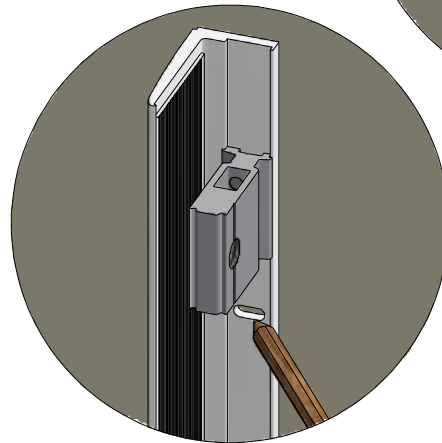
AA



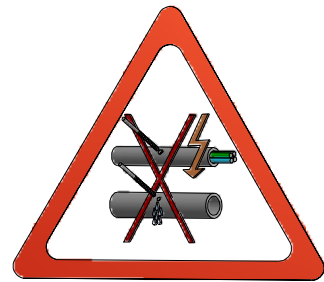
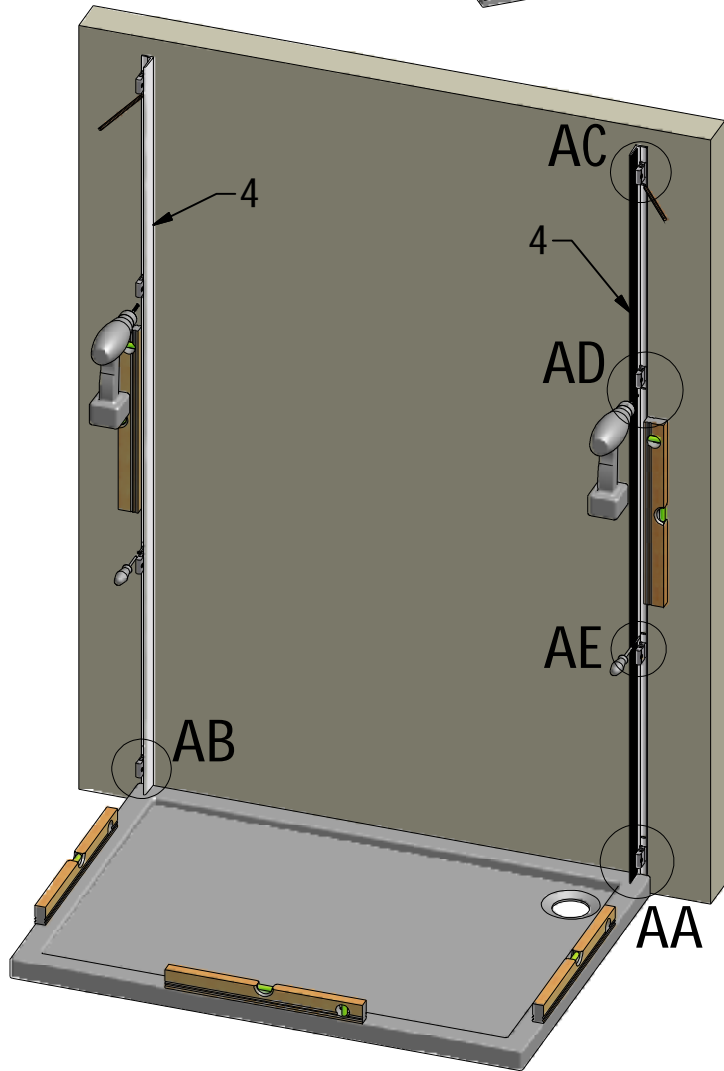
AB



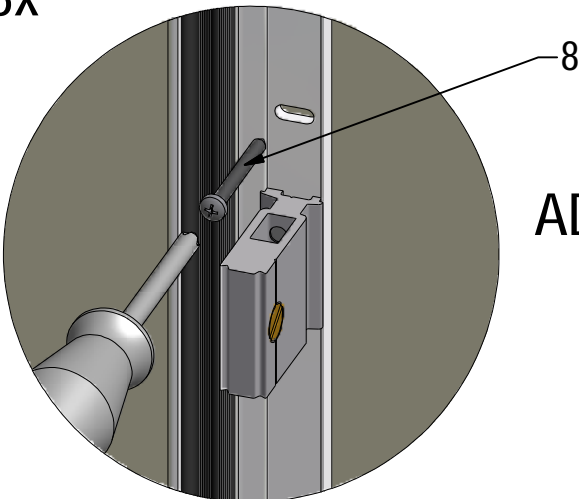
AC 8x



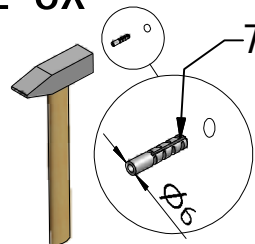
4



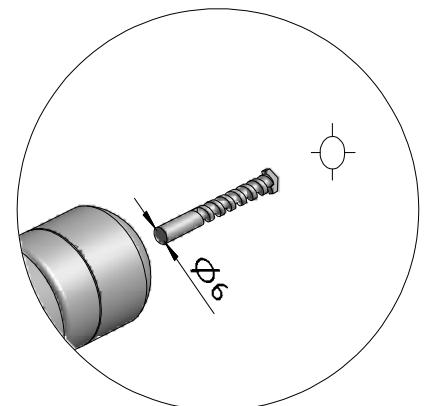
AE 8x

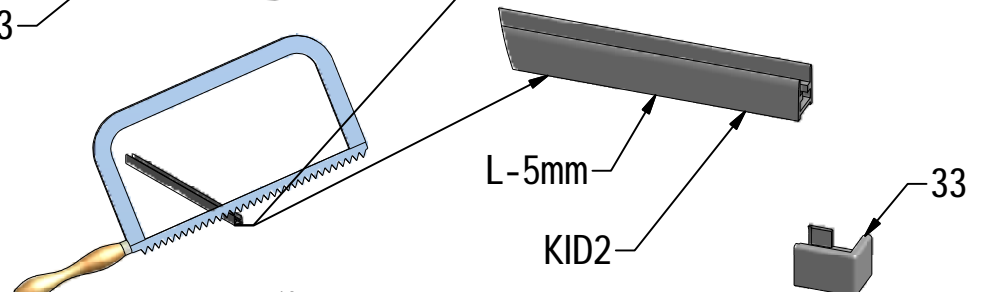
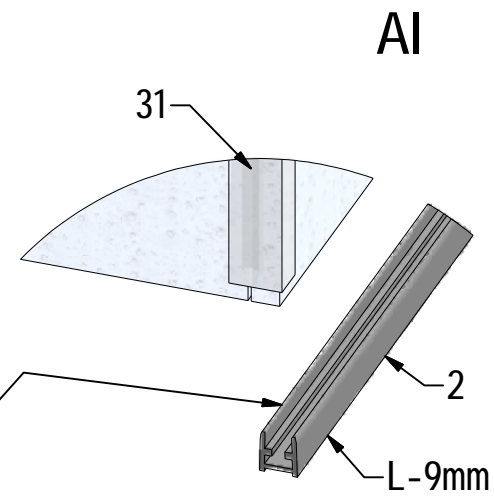
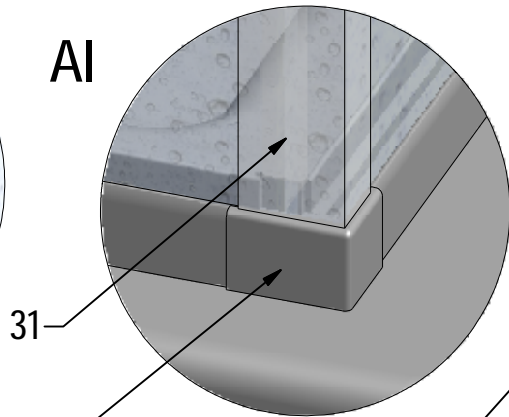
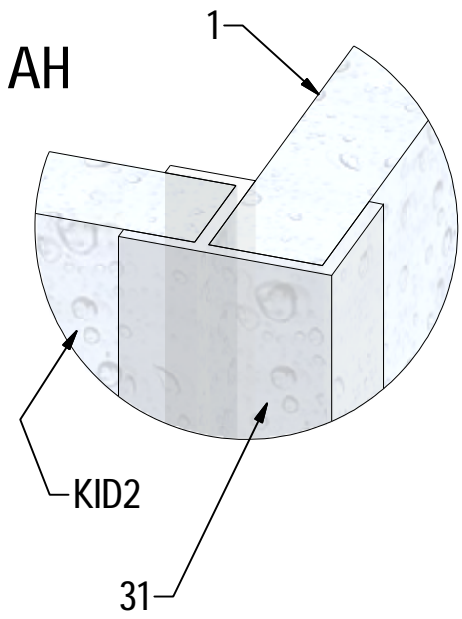
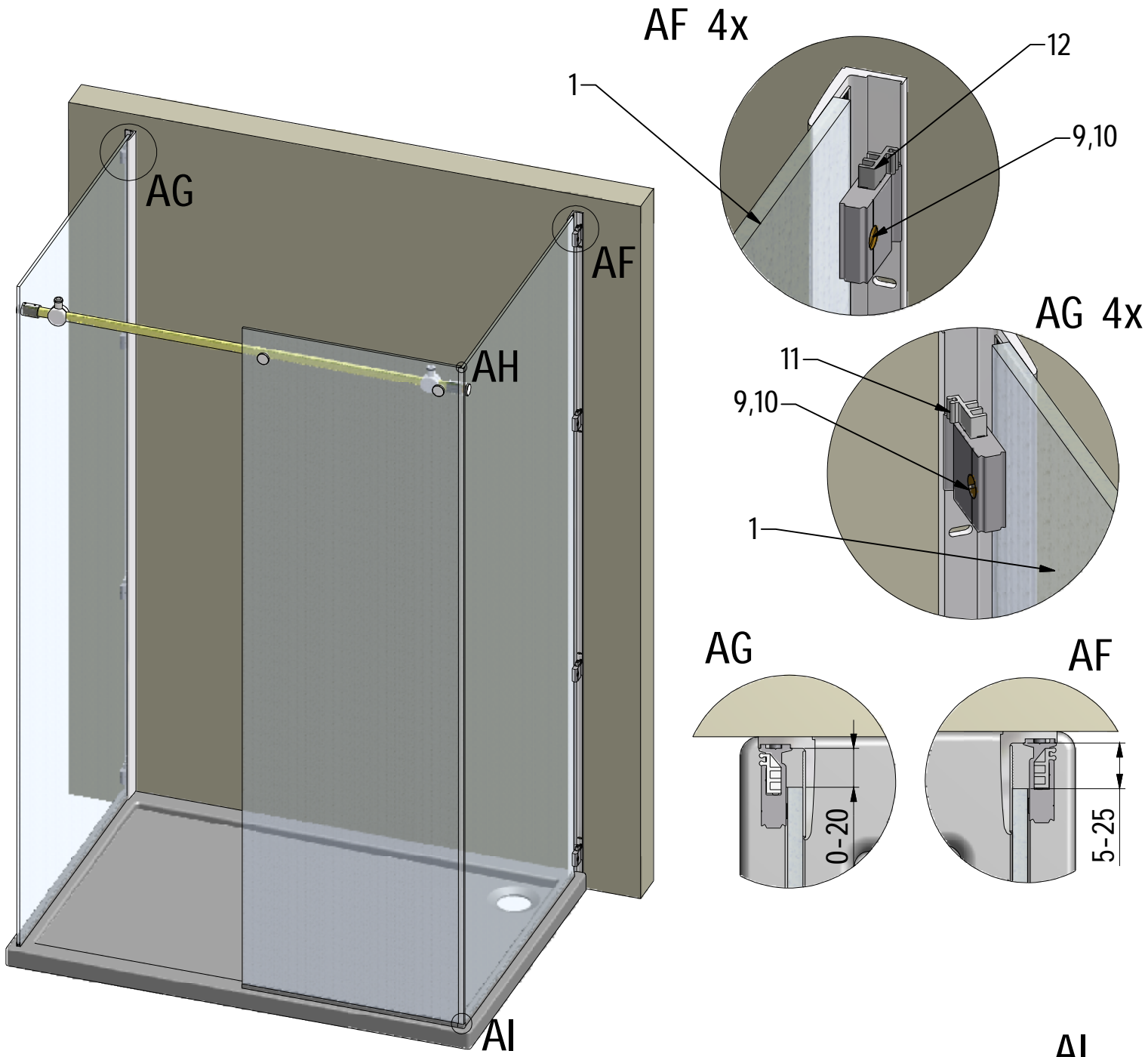


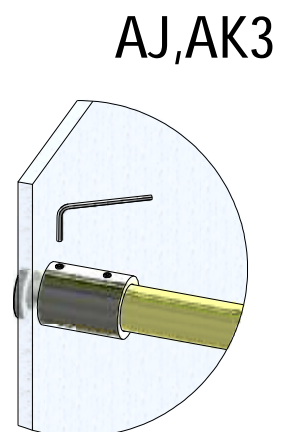
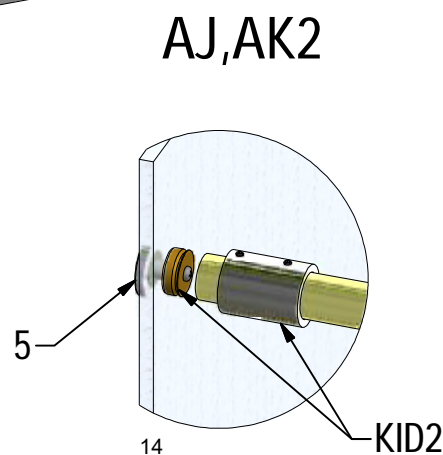
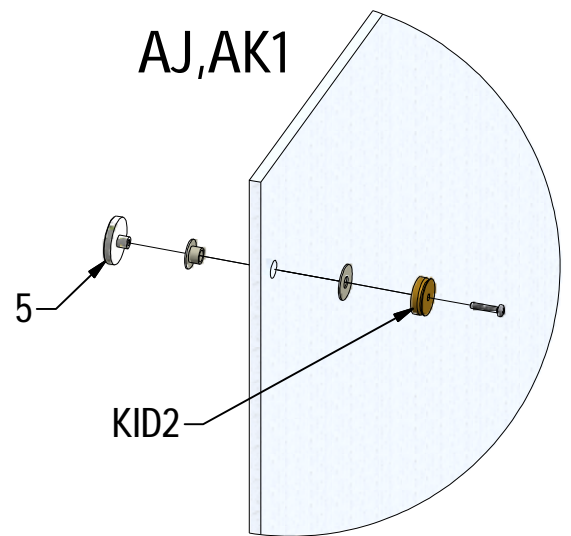
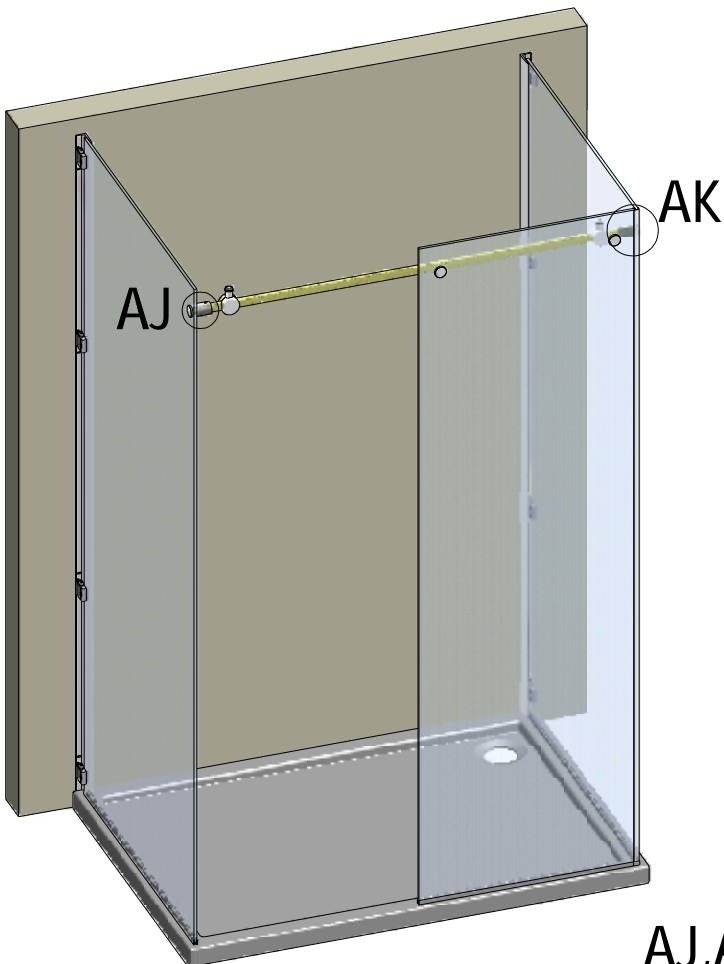
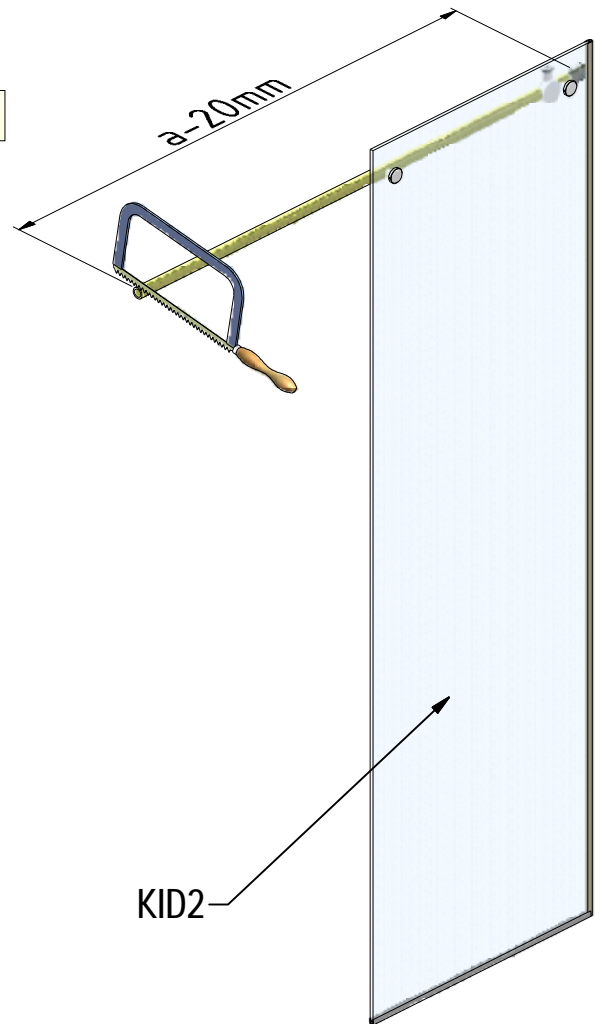
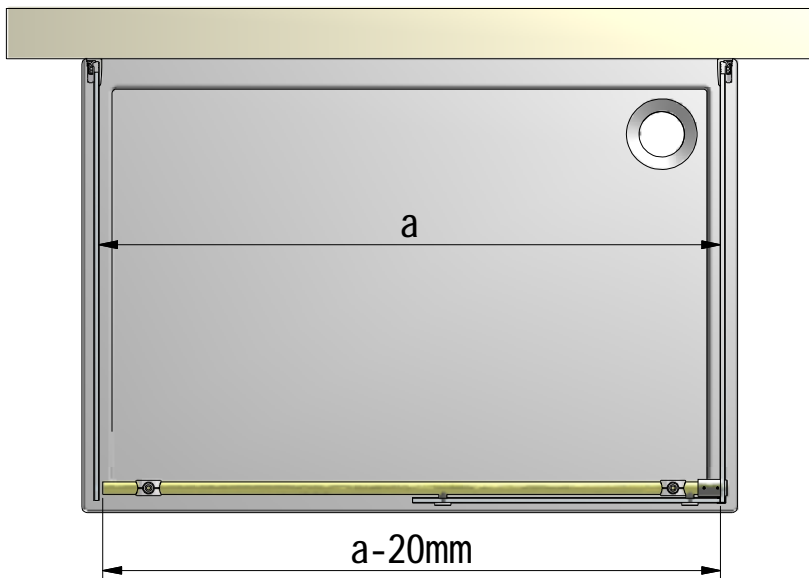
AD2 8x

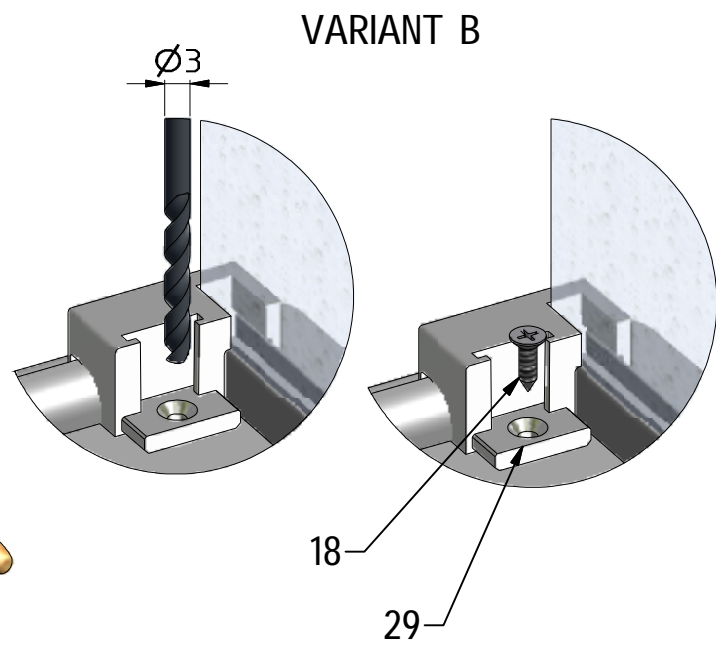
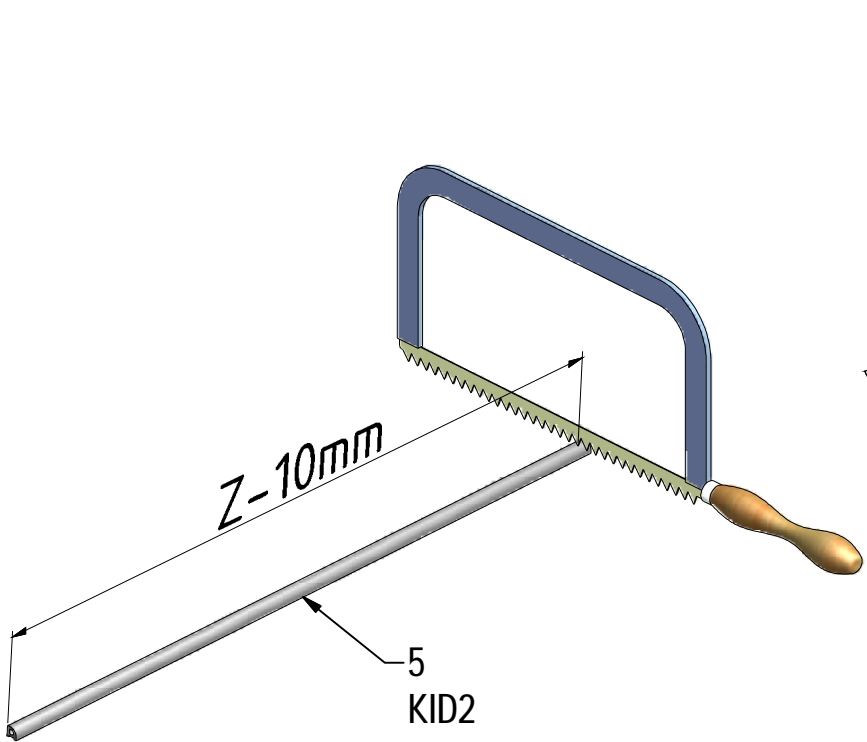
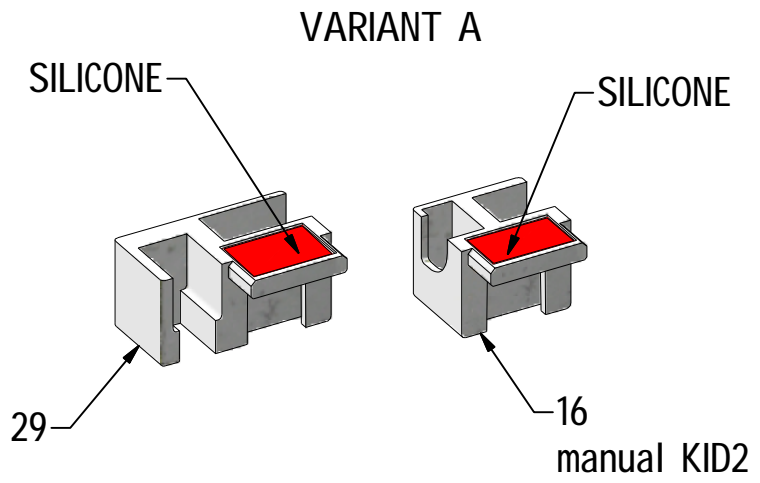
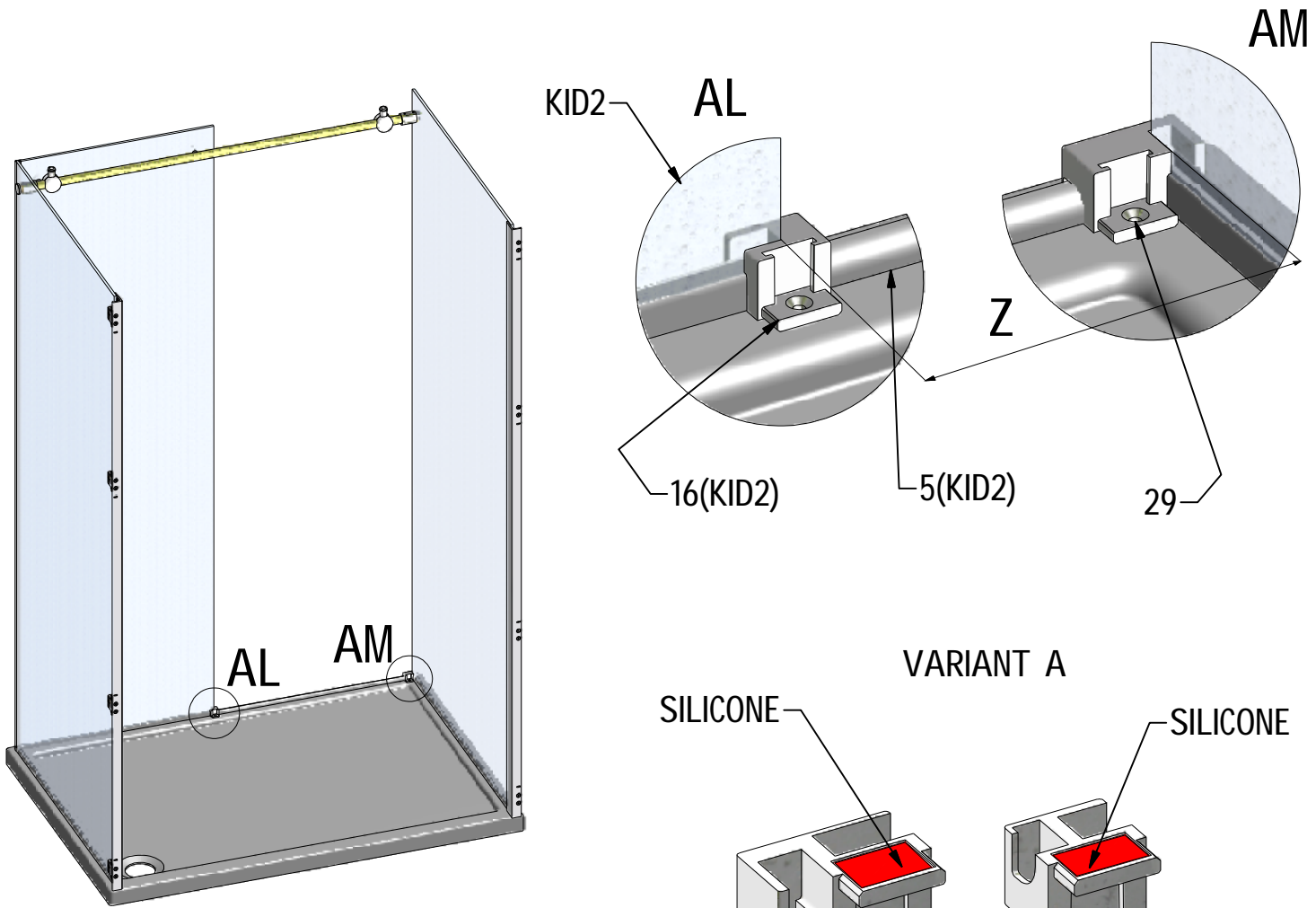


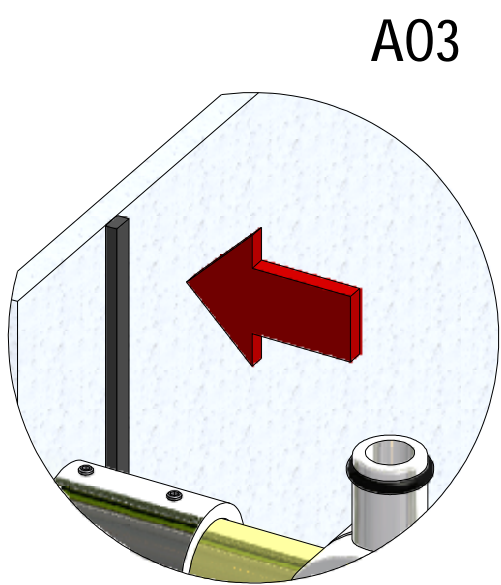
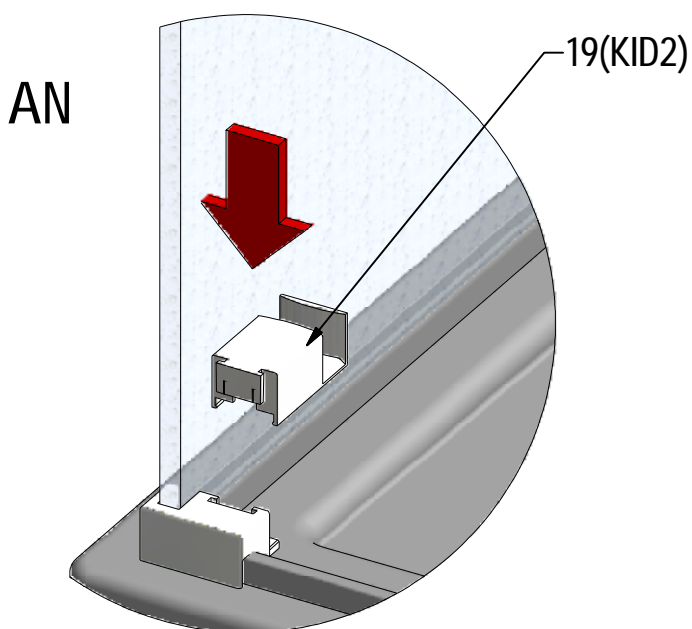
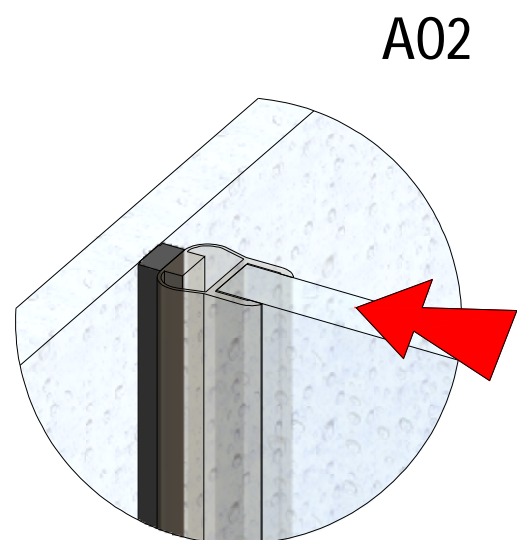
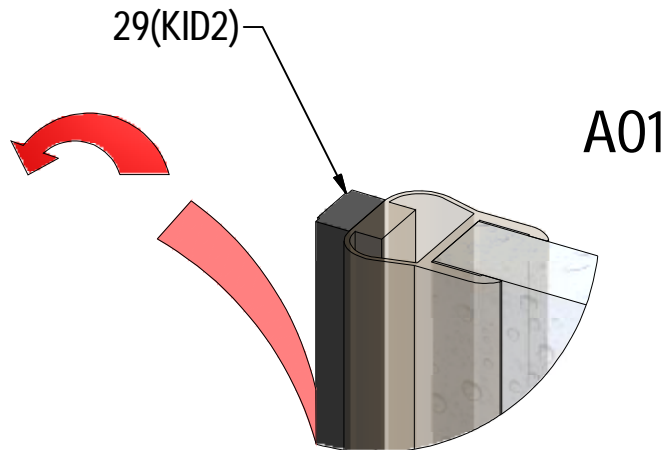
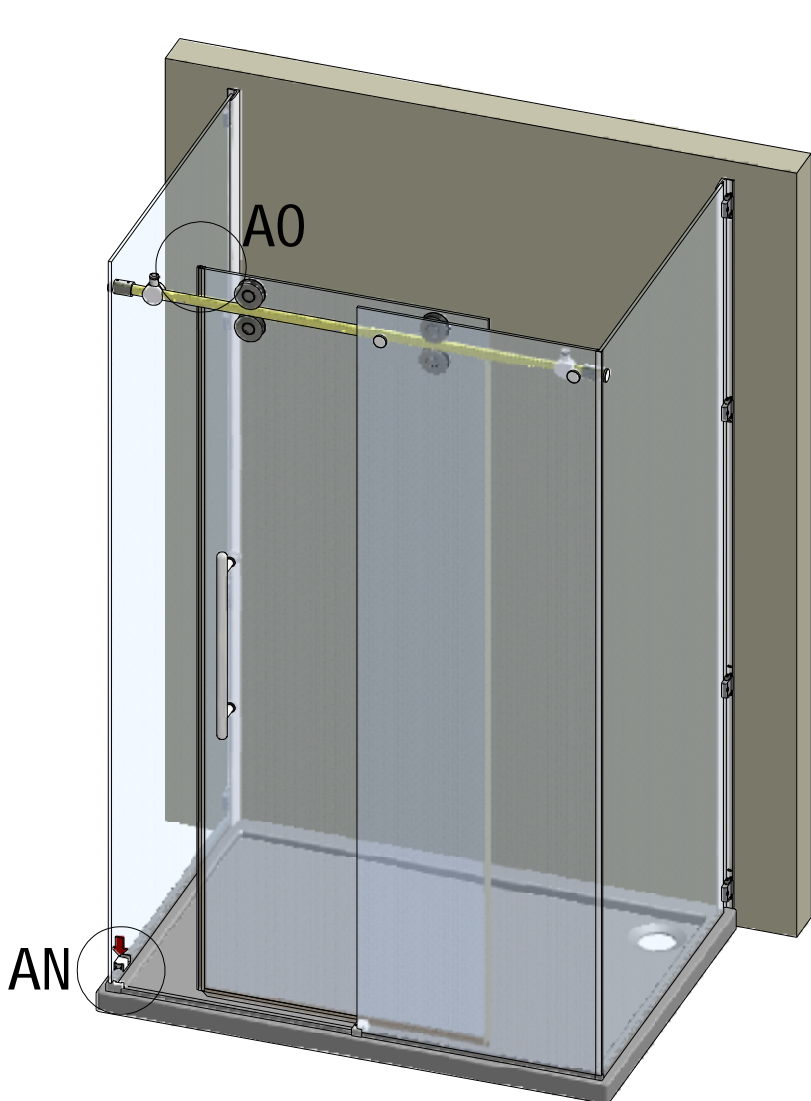
AD1 8x

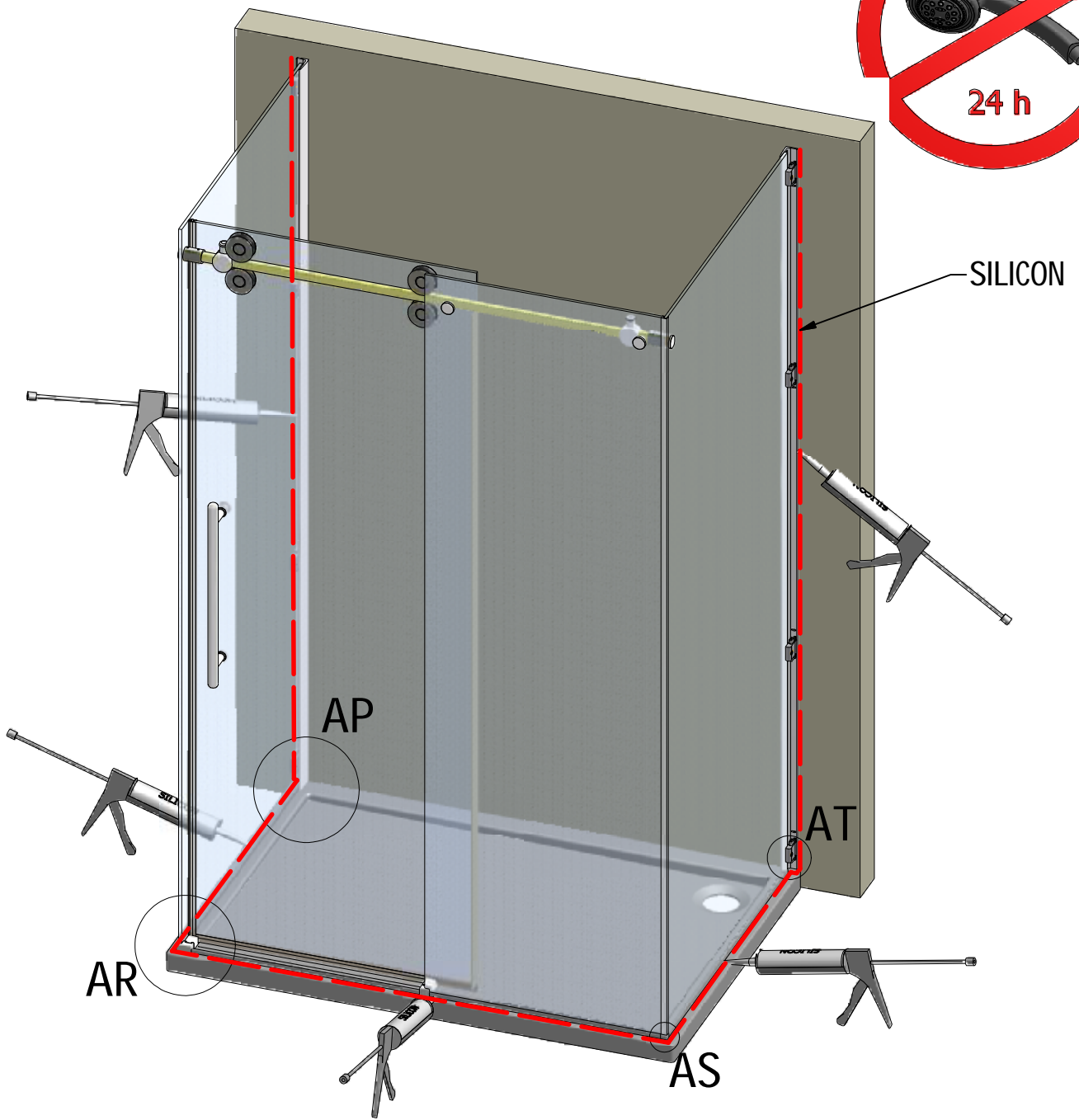




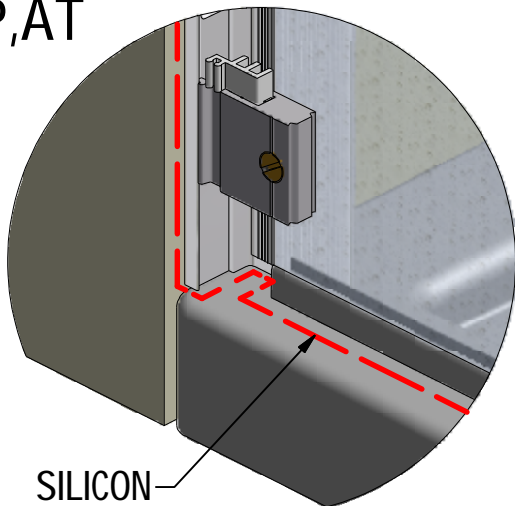




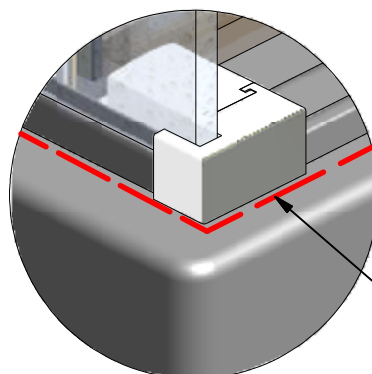




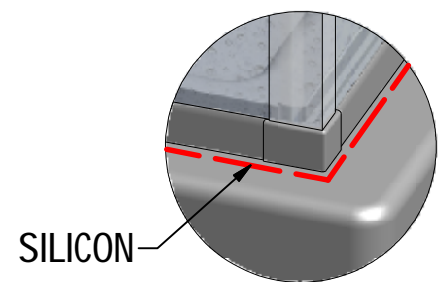
AP,AT

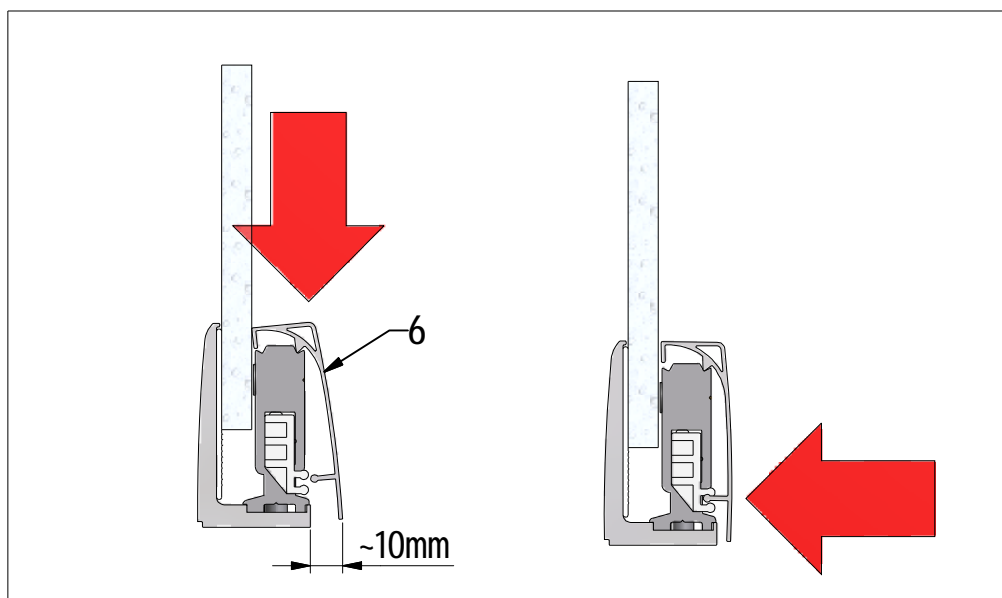
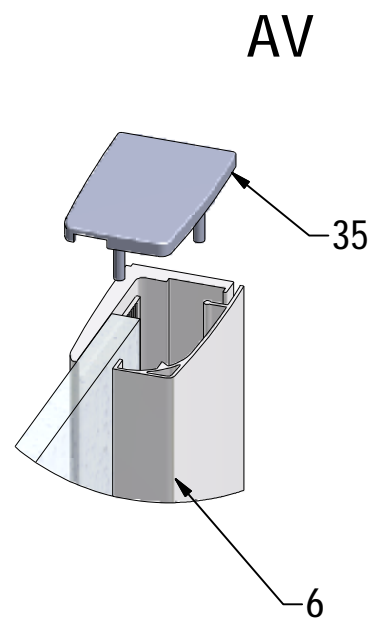
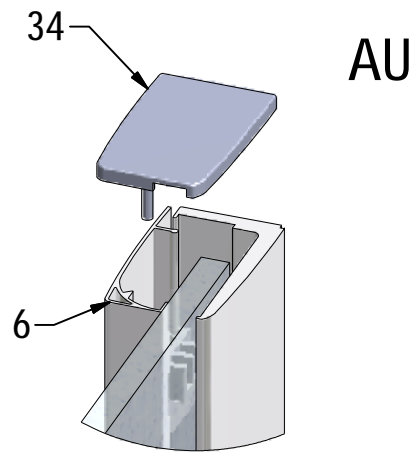
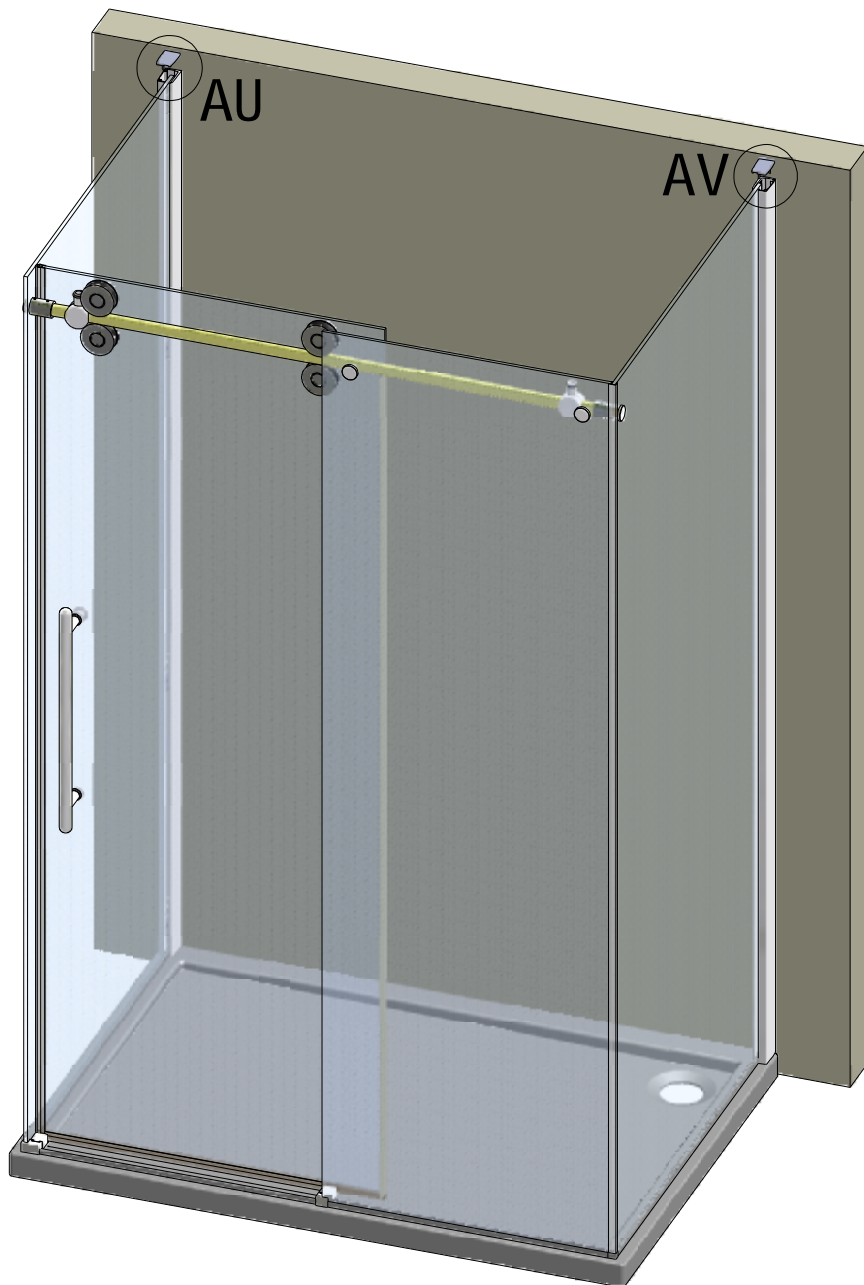


AR

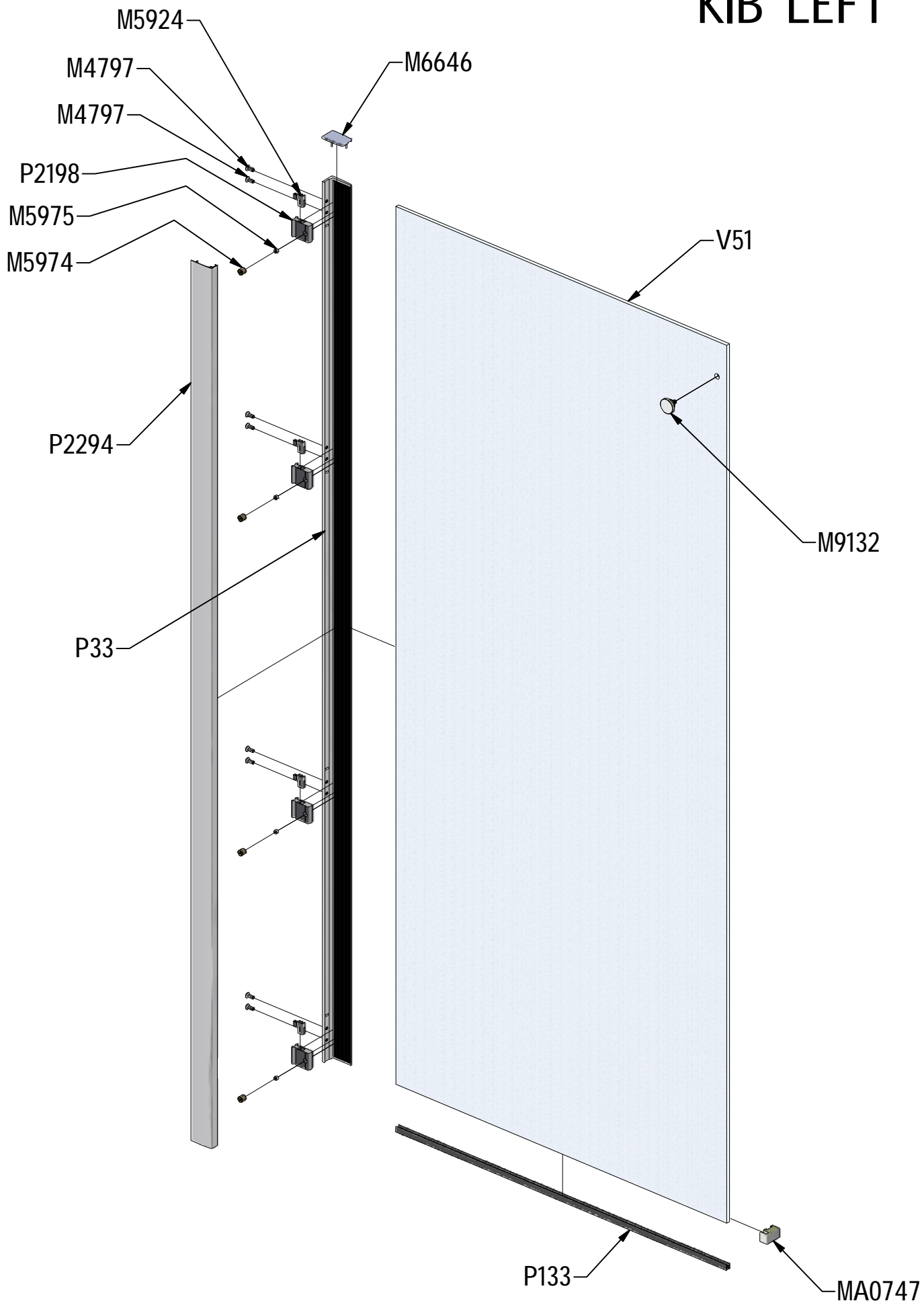


AS

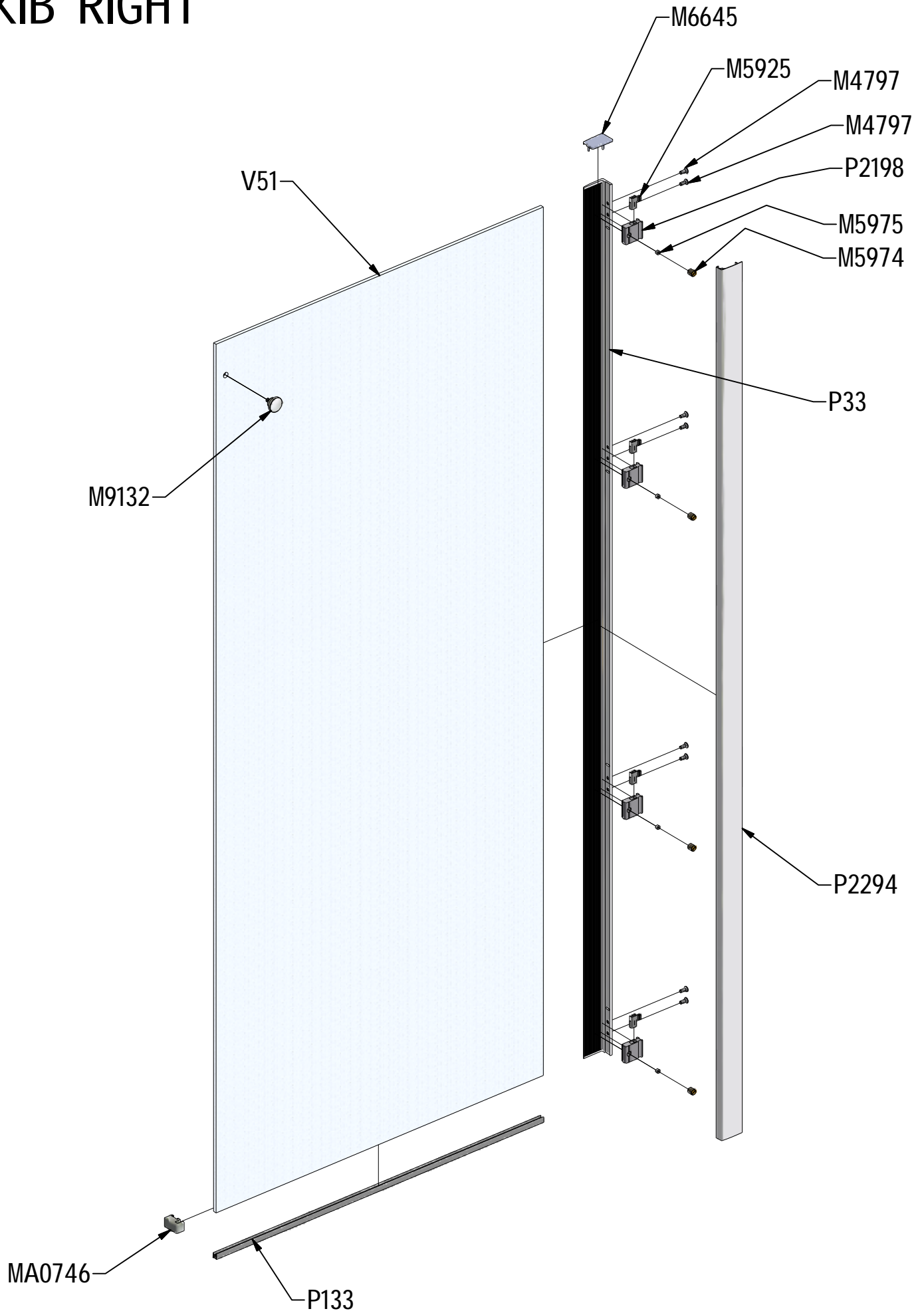




KIB LEFT



KIB RIGHT



P33			ND01-0973-00
P133	900		P2733
	1000		P2735
V51	900	clear glass	ND03-0401-00-02
	1000	clear glass	ND03-0402-00-02