

Sanitary Systems

Shower enclosures | Bathtubs | Shower trays



**Catalogue
2021**



Shower for life



About us

The precise processing of our products has been celebrating success since 1991 (under the name Roltechnik) not only in the Czech Republic, but also in the most demanding markets, such as Germany, Austria, Switzerland and others.

In 2016, Roltechnik became a member of the Roth Industries group. Roth Industries is a family-owned company based in Germany with a 70-year history and more than 1,300 employees worldwide. Roth is a multinational manufacturer of energy and sanitary systems with a worldwide presence.

You can find more information at www.roth-industries.de

Above all, this connection taught us higher precision, tightening even the smallest details to perfection and the art of succeeding on the world market. From 1 January 2020 Roltechnik took over the new name **Roth Czech**. By the renaming of Roltechnik name and brand was completed the integration process into the Roth group. Our products are enjoyed by satisfied customers in 25 countries around the world. And more are coming. We care about every detail. We also meet any requirement for an atypical solution. We will always try to accommodate you. We innovate product design in cooperation with the best designers and our technologies certify the most demanding German authorities.





Shower enclosures

■ Hitech Neo Line

HI PI2	12
HI FXP.....	14
HI SET.....	15
HI 2B2	16

■ Kinedoor Line

KID2.....	20
KID2+KIB	22

■ Elegant Line

GR2	50
GDOL1+GDOP1	52
GDOL1+GBP	54
GDNL1	55
GDN2	56

■ Ambient Line

AMR2N	86
AMD2.....	88
AMD2 + AMB.....	89

■ Limaya Line

LYR4	116
LYP2	118
LYP2 + LYSW1AP2.....	119
LYE4 + LYE4	120
LYE4 + LYSW1S	122
LYE4 + LZ	123
LYE2 + LYE2	124
LYE2 + LYSW1S	126
LYE2 + LZ	127

■ Walk In Line

CI TWF	26
PHILLY LOFT SKY	28
PHILLY LOFT HORIZON.....	30
WALK G	31
WALK H	32
ECWALK.....	34

■ Tower Line

TR1	60
TR2	62
TR2 LIGHT.....	63
TDO1 + TDO1.....	64
TDO1 + TB.....	66
TCO1 + TB	67
TCO1 + TCO1	68
TBD	70

■ Exclusive Line

ECR2N	94
ECS2L + ECS2P.....	96
ECDO1N.....	98
ECD2L.....	100
ECDO1N + ECDBN.....	102
ECD2L + ECDBN	103

■ Lega Line

LLR2	130
LLS2.....	132
LLD01	134
LLD02.....	135
LLD01 + LLB	136
LLD02 + LLB	137
LLD2	138
LLD4	139
PD3N	140
PD3N + LLBD.....	142

■ Elegant Neo Line

GR2N	38
GDO1N + GDO1N	40
GDO1N + GBN	42
GDO1N + GZN	43
BI PF2 + BI FXP	44
BI PF2 + BI SET	46

TZOL1 + TZOP1.....	72
TZNL1	74
TDN1.....	75
TCN1.....	76
TCN2.....	78
TCB	79
TDN2.....	80
TCW1	82
TBS	83

■ Proxima Line

PXR2N	106
PXS2L + PXS2P.....	108
PXDO1N.....	110
PXBN.....	111
PXD2N	112

■ Atypical customized solution144

■ Additional profiles146

■ RothETC.....	148
SHELF UNI.....	149
Cleaning blade	149

■ Profiles and glass.....150

Shower trays

■ Cast marble

PRESTOL.....	152
MARMO NEO.....	154
DREAM-M.....	156
TAHITI-M.....	156
ALOHA-M.....	157
MACAO-M.....	157
RECTAN-M.....	158

■ Acrylic

FLAT ROUND.....	160
HAWAII.....	160
HAWAII-P.....	161
FLAT KVADRO.....	161
COLA.....	162
COLA-P.....	162
FLAT KVADRO.....	163
INTEGRO.....	164
FLAT STONE.....	165

■ Accessories

Shower tray legs.....	164
Shower tray siphons.....	192
Mounting kit for trays.....	193
Cleaners.....	193

Bathtubs

■ Cast marble

ALEGRIA SILK.....	167
-------------------	-----

STONE AMORE.....	167
------------------	-----

■ Acrylic

KUBIC NEO.....	168
KUBIC NEO SLIM.....	169
MALIBU NEO.....	170
KUBIC NEO 120 / 130.....	171
KUBIC 190.....	171
SAVONA NEO.....	172

NOVELTY

VANESSA NEO.....	173
ACTIVA.....	174
MINI.....	175
EVA SIDE.....	175
ISABELLA NEO.....	176
HARMONIA.....	176

ACTIVA NEO.....	177
KUBIC ASYMMETRIC.....	178
AMORE.....	178
FLORA NEO.....	179
SABRINA NEO.....	179

■ Bath screens

BV2.....	181
TZVL2.....	182
TV2.....	183
TV1.....	184
SWING.....	185
SCREEN MINI.....	186

PXV1.....	187
PXV2P.....	188
PXVB.....	189
LLV2.....	190
LLVB.....	191

■ Accessories

Bathtub legs.....	193
Bath siphons.....	193
Cleaners.....	193

■ Vinata®..... 194 |

■ Vipanel..... 206 |

Project Line

■ Shower enclosures

EI TWF.....	220
EI TWA, EI TWP.....	221
HOUSTON NEO.....	222
PORTLAND NEO.....	222
ORLANDO NEO.....	223
AUSTIN.....	224
DENVER.....	224
LD3.....	225
LSB.....	225
OBR2.....	226
OBS2.....	226
OBD2.....	227
OBD01.....	227
OBB.....	228
OBZD2.....	229
OBZB.....	229

NOVELTY

NOVELTY

FLOWER NEO.....	230
MADISON NEO.....	230
APOLLO SET.....	231
TULA SET.....	231
APOLLO CHROME SET.....	231

■ Shower trays

DREAM-P.....	232
DREAM FLAT.....	232
ALOHA-P.....	233
ALOHA FLAT.....	233
SEMIDEEP NEO.....	234
VIKI LUX.....	234

■ Shower boxes

SIMPLE.....	237
SIMPLE SQUARE.....	237

■ Bathtubs and bath screens

CLASSIC PRO.....	235
TULLIP.....	235
SCREEN.....	236
SCREEN PRO.....	236

■ Shower sets

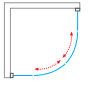
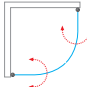
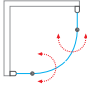
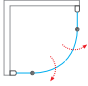
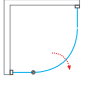
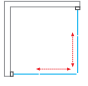

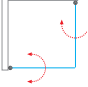
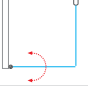
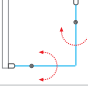
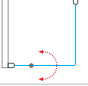
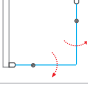
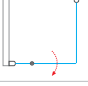


FLORIDA.....	238
FLORIDA COMBI.....	238
SELMA.....	238
SELMA COMBI.....	238

Info

■ General informations.....	239
■ Guarantee conditions.....	240
■ Technical specifications.....	241

Shower enclosures

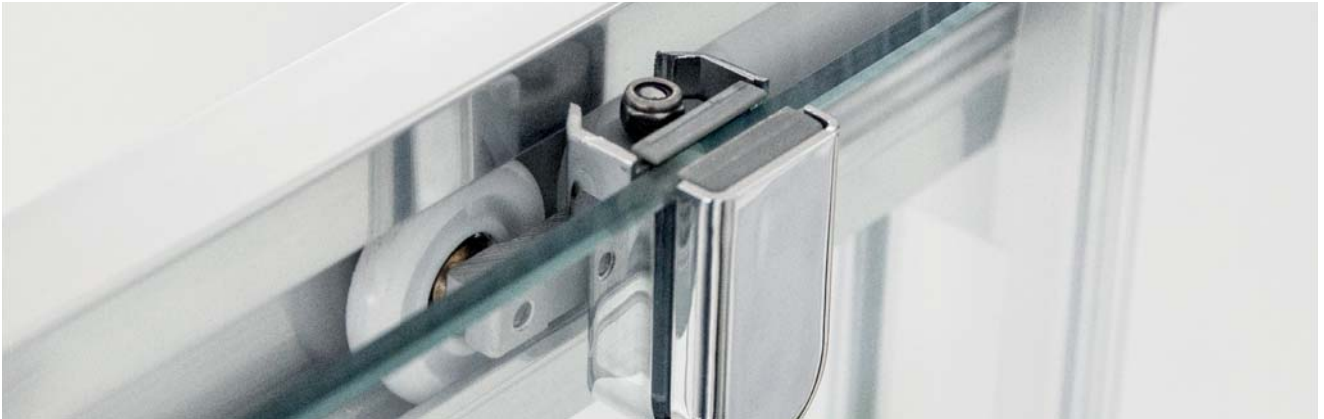
summary

TYPE / OPENING	Hitech Neo	Kinedoor	Walk In	Elegant Neo	Elegant	Tower	Ambient	Exclusive	Proxima	Limaya	Lega	Project	
QUADRANT													
								86	94	106		130	222, 226 230
						60							
						62				116			
				38	50								
													224
SQUARE AND RECTANGULAR													
									96	108		132	223, 226
		22						89	103	111		137	229
	12					68					124		
	14								102		126	136	
						64					120		
				44		66					122		
				40	52								
				42	54					111			
											119	137	
												137	

TYPE / OPENING	Hitech Neo	Kinedoor	Walk In	Elegant Neo	Elegant	Tower	Ambient	Exclusive	Proxima	Limaya	Lega	Project
SQUARE AND RECTANGULAR												
											142	225
						72						
NICHE DOORS												
	15					76		98		127	134	
									110			227
				46		75				123		
				43	55							
	17					78				118	135	
					56							
						80						
						74						
						71						
						70						
		20					88	100	112		138	227, 229
											139	
											140	225
WALK IN TYPE												
			26 - 35			82						220

Roth Czech

about us

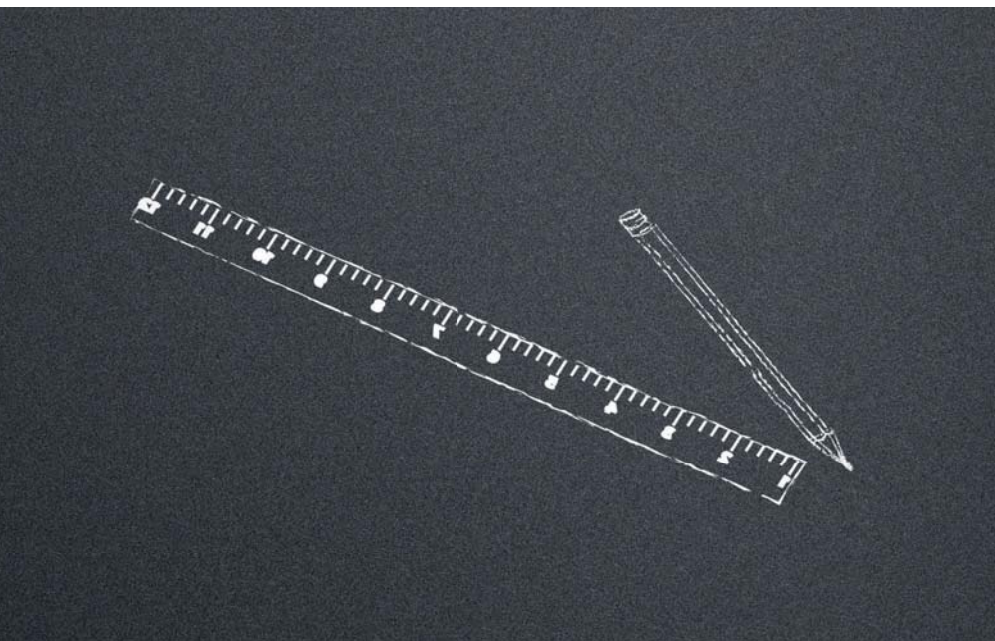


Roth Czech

The Roltechnik company, which has been producing sanitary products since 1991, has merged into a strong brand with the German manufacturer Roth, which, among other things, developed the world's first shower box in 1967. It has thus become a member of this family business, which brings customers a guarantee of long-term reliability and stability in the partnership,

as well as an emphasis on quality and innovation in the future. The result of this connection is the production of practical and attractive innovations for the bathroom, the house and the use of rainwater. Roth's first product saw the light of day in 1947. Since then, the company has come a very long way. Today, it is one of the world leaders in the segments

of energy conservation, surface heating, cooling and composite technologies. Roth also regularly sets new standards in modern construction technology. In-house research and development brings products that are carefully tailored to customer requirements. In practice, they are appreciated by many customers not only from between professionals.





■ **Roth service - qualified, comprehensive and fast**

Our Roth service experts are available to answer any questions you may have about Roth sanitary products after you purchase them! Our nationwide sales force will quickly advise you on business and technical issues - right at your doorstep.

Roth's quality service offering includes a guarantee of availability spare parts, short response times and fast delivery times.



The world of the Roth brand composes technologies for solutions full of energy

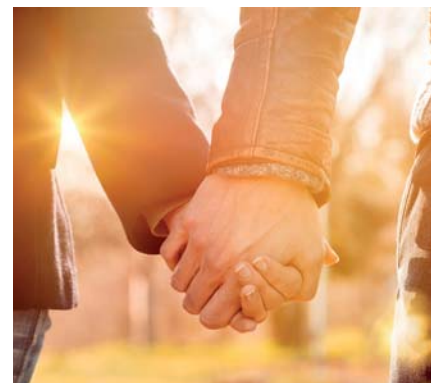
■ **Development for the future**

Roth's extensive team works on research and development as well as design to bring innovative solutions to innovation. This helps society survive the crisis and seize the chances for growth. It also builds a leading position in the market.



■ **The world of the Roth brand composes technologies for solutions full of energy**

This inspiring vision is the cornerstone of responsible business, which Roth cares about. The internationally active Roth company with more than 1,300 employees is a manufacturer of leading branded products that are used in the field of construction and industrial engineering.



Hitech Neo Line
power of ideas

Hitech Neo Line

A series characterized by modern design and technical improvements. This is the absolute top among shower enclosures.

The new Roth models we bring to your bathroom are not just fashion trends. It is about precision and functionality in combination with a modern concept.

■ door hinges are recessed to the glass level from the inside for greater convenience when cleaning

■ easy entry through the opening doors in both directions, in and out

■ solid handle that highlights the unique design of this series





Hitech Neo Line
power of ideas

one door can solve
a lot of situations

HI PI2

single shower door

8 mm ESG Tempered glass
Transparent



Profile colour
Brilliant



■ HI PI2 + HI PI2

universal left and right solution

- one type of door for all combinations
 - corner entrance with double opening doors
 - single opening door with side wall
 - single opening door for installation in a niche



■ Robust chromed hinges underline the unique design of the series

■ Door hinges are recessed to the glass level for greater convenience when cleaning

HI PI2 (single shower door)

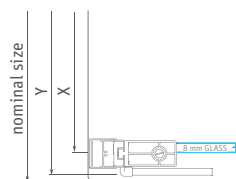
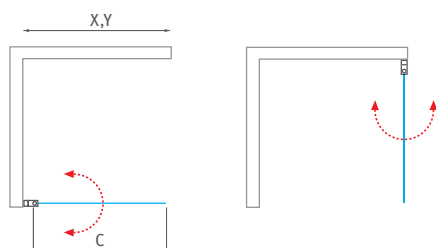
type	ordering No.	installation width (y)	height (h)	door width (c)	profile	glass	delivery method
HI PI2/800	HI PI2 08020 VPE	782-798	2006*	663	brillant	transparent	0
HI PI2/900	HI PI2 09020 VPE	882-898	2006*	763	brillant	transparent	0
HI PI2/1000	HI PI2 10020 VPE	982-998	2006*	863	brillant	transparent	0

h* - height including supporting elements

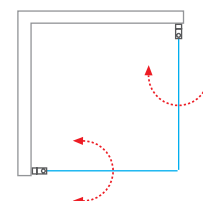
HI PI2 (atypical customized solution)

type	width (y)	height (h)	profile	glass	delivery method
HI PI2	up to 1000 mm	up to 2000 mm	brillant	transparent	Z

■ HI PI2 - universal LEFT and RIGHT solution



■ HI PI2 + HI PI2 - square or rectangular shower enclosure with a double opening doors



Nominal sizes of shower enclosures are designed for INSTALLATION ON THE TRAY and they are always assembled with indentation from the edge of the tray. With INSTALLATION ON THE TILES there is a risk, that the size of shower enclosure will be smaller than measured width of the tiles. It is necessary to follow the size charts on "TECHNICAL SPECIFICATION" pages at the end of our catalogue (p. 241-260).

Hitech Neo Line

power of ideas

one door can solve
a lot of situations



HI PI2 + HI FXP

square or rectangular shower enclosure
with a single opening door and a side panel

- up to 9 combinations of size variants
- square or rectangular solution
- the solid handle fits perfectly in the hand and underlines the design of this product line



8 mm ESG Tempered glass
Transparent



Profile colour
Brillant



HI FXP (side panel to a door HI PI2)

type	ordering No.	installation width (y)	height (h)	door width (c)	profile	glass	delivery method
HI FXP/800	HI FXP 08020 VPE	777-793	1981*	-	brillant	transparent	0
HI FXP/900	HI FXP 09020 VPE	877-893	1981*	-	brillant	transparent	0
HI FXP/1000	HI FXP 10020 VPE	977-993	1981*	-	brillant	transparent	0

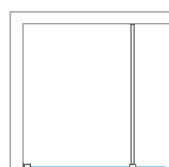
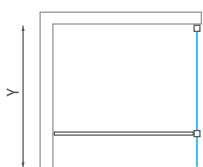
h* - height including supporting elements / side panel HI FXP including the support bar - max. length 1 200 mm

HI FXP (atypical customized solution)

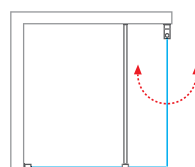
type	width (y)	height (h)	profile	glass	delivery method
HI FXP	up to 1000 mm	up to 2000 mm	brillant	transparent	Z



■ HI FXP- universal LEFT and RIGHT solution



■ HI PI2 + HI FXP



- Door hinges are recessed to the glass level for greater convenience when cleaning



Nominal sizes of shower enclosures are designed for **INSTALLATION ON THE TRAY** and they are always assembled with indentation from the edge of the tray. With **INSTALLATION ON THE TILES** there is a risk, that the size of shower enclosure will be smaller than measured width of the tiles. It is necessary to follow the size charts on "TECHNICAL SPECIFICATION" pages at the end of our catalogue (p. 241-260).

universal left and right solution



HI PI2 + HI SET

single opening shower door with a set of profiles HI SET for installation to a niche

- square or rectangular shower enclosure with a double opening door
- standard height of 2 000 mm
- universal installation and convenient maintenance thanks to special glass treatment



8 mm ESG Tempered glass
Transparent



Profile colour
Brillant

HI SET (set of profiles)							
type	ordering No.	installation width (y)	height (h)	door width (c)	profile	glass	delivery method
HI SET	HI SET 2000 VE	31,5-47,5	1981*	-	brillant	-	0

h* - height including supporting elements

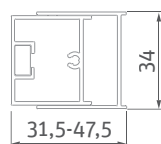
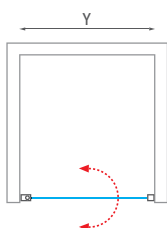


HI SET (atypical customized solution)					
type	width (y)	height (h)	profile	glass	delivery method
HI SET	-	up to 2000 mm	brillant	-	Z



Nominal sizes of shower enclosures are designed for **INSTALLATION ON THE TRAY** and they are always assembled with indentation from the edge of the tray. With **INSTALLATION ON THE TILES** there is a risk, that the size of shower enclosure will be smaller than measured width of the tiles. It is necessary to follow the size charts on "TECHNICAL SPECIFICATION" pages at the end of our catalogue (p. 241-260).

- **HI PI2 + HI SET** - single shower door to a niche
- **HI SET** - set of profiles



installation to a niche	installation width (Y)
HI PI2/800 + HI SET	783-815
HI PI2/900 + HI SET	883-915
HI PI2/1000 + HI SET	983-1015

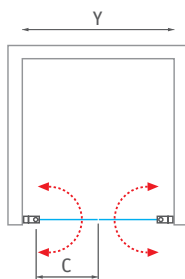
Hitech Neo Line

power of ideas

HI 2B2

double opening shower door
for installation to a niche

- opening in both directions - in / out
- door hinges are recessed to the glass level for greater convenience when cleaning
- standard door dimensions from 800 to 1 200 mm



8 mm ESG Tempered glass
Transparent



Profile colour
Brillant



- Robust chromed hinges underline the unique design of the series



- Door hinges are recessed to the glass level for greater convenience when cleaning

HI 2B2 (double shower door to a niche)

type	ordering No.	installation width (y)	height (h)	door width (c)	profile	glass	delivery method
HI 2B2/800	HI 2B2 08020 VPE	783-815	2006*	320	brillant	transparent	0
HI 2B2/900	HI 2B2 09020 VPE	883-915	2006*	370	brillant	transparent	0
HI 2B2/1000	HI 2B2 10020 VPE	983-1015	2006*	420	brillant	transparent	0
HI 2B2/1200	HI 2B2 12020 VPE	1183-1215	2006*	520	brillant	transparent	0

h* - height including supporting elements

HI 2B2 (atypical customized solution)

type	width (y)	height (h)	profile	glass	delivery method
HI 2B2	up to 1500 mm	up to 2000 mm	brillant	transparent	Z

Nominal sizes of shower enclosures are designed for **INSTALLATION ON THE TRAY** and they are always assembled with indentation from the edge of the tray. With **INSTALLATION ON THE TILES** there is a risk, that the size of shower enclosure will be smaller than measured width of the tiles. It is necessary to follow the size charts on "TECHNICAL SPECIFICATION" pages at the end of our catalogue (p. 241-260)..





Under the guidance of our designers, we have created completely new **Hitech Neo Line** models for your bathroom. **Hitech** design is not just about the look of products. It is about precision, functionality and a modern concept.



■ HI 2B2



Kinedoor Line
ease of movement

Kinedoor Line

It is characterized by robust rollers and magnificent space. It combines perfect design with everyday practicality.

All shower enclosure lines have their own technical limits – this was true uptill now. Thanks to dimensioning of an innovative solution for the largest and the most comfortable spaces, we can fearlessly say – this, what is not possible anywhere else, here will be possible for sure.

■ universal sliding door to a niche or in combination with a side panel

■ standard door dimensions from 1 300 to 2 000 mm

■ closing with magnetic sealing ensures improved tightness



CORNER



NICHE



„U“ SHAPE

Kinedoor Line

ease of movement

universal left
and right solution

KID2

2-sectional sliding door for a niche
or for combination with side panel KIB

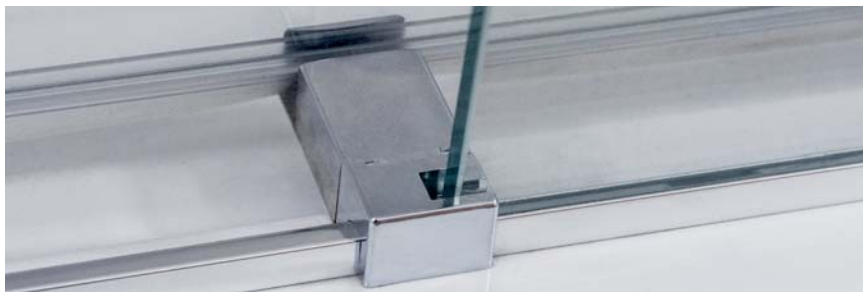
- standard door dimensions from 1 300 to 2000 mm
- universally installable sliding door for niche with smooth movement thanks to robust rollers



8 mm ESG Tempered glass
Transparent 02



Profile colour
Brillant 00



- New bottom components for improve water-tightness



- Solid steel multifunctional handle

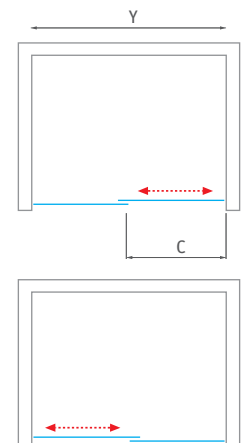
KID2 (2-sectional sliding door)

type	ordering No.	installation width (y)	height (h)	door width (c)	profile	glass	delivery method
KID2/1300	970-1300000-00-02	1150–1310	2000	410–560	brillant	transparent	S
KID2/1500	970-1500000-00-02	1300–1510	2000	460–660	brillant	transparent	S
KID2/1800	970-1800000-00-02	1500–1810	2000	510–810	brillant	transparent	S
KID2/2000	970-2000000-00-02	1800–2010	2000	710–910	brillant	transparent	O

universal LEFT and RIGHT solution

KID2 (atypical customized solution)

type	width (y)	height (h)	profile	glass	delivery method
KID2	up to 2800 mm	up to 2400 mm	brillant	transparent	Z



Nominal sizes of shower enclosures are designed for INSTALLATION ON THE TRAY and they are always assembled with indentation from the edge of the tray. With INSTALLATION ON THE TILES there is a risk, that the size of shower enclosure will be smaller than measured width of the tiles. It is necessary to follow the size charts on "TECHNICAL SPECIFICATION" pages at the end of our catalogue (p. 241–260).

For Kinedoor Line products, we recommend installation by the Roth Czech s.r.o. service department, or an authorized service company.



Are you looking for a truly spacy solution to your shower enclosure or do you need to divide a space in your bathroom?
Then you have come to the right decision....**Kinedoor Line**



KID2

Kinedoor Line

ease of movement

universal left
and right solution

KIB

side panel for combination
with sliding door KID2

8 mm ESG Tempered glass
Transparent 02

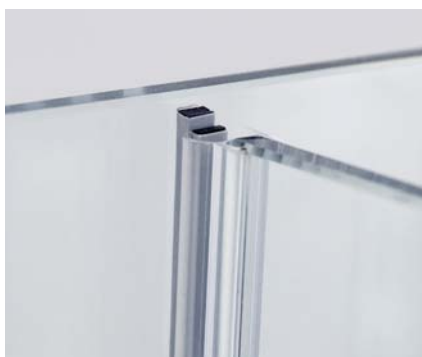


Profile colour
Brillant 00



easy maintenance thanks to the minimum of profiles

- universal left or right installation
- standard height 2 000 mm
- the use of 8 mm safety glass ensures excellent stability



■ Magnetic seal for perfect water-tightness



■ For the U-shape combination, two side walls can be attached on both sides of the door - **KIB + KID2 + KIB**

KIB (side panel for combination with sliding door KID2)

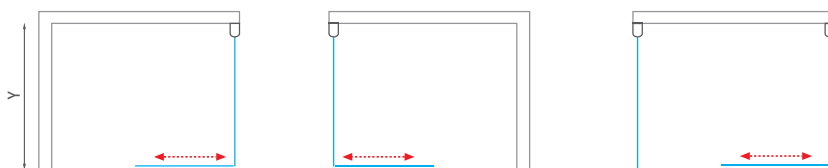
type	ordering No.	installation width (y)	height (h)	door width (c)	profile	glass	delivery method
KIB/900	971-9000000-00-02	860-885	2000	—	brillant	transparent	S
KIB/1000	971-1000000-00-02	960-985	2000	—	brillant	transparent	O

universal LEFT and RIGHT solution

KIB (atypical customized solution)

type	width (y)	height (h)	profile	glass	delivery method
KIB	up to 1200 mm	up to 2400 mm	brillant	transparent	Z

■ Profile anchoring on the side wall




Nominal sizes of shower enclosures are designed for **INSTALLATION ON THE TRAY** and they are always assembled with indentation from the edge of the tray. With **INSTALLATION ON THE TILES** there is a risk, that the size of shower enclosure will be smaller than measured width of the tiles. It is necessary to follow the size charts on "TECHNICAL SPECIFICATION" pages at the end of our catalogue (p. 241-260).

For Kinedoor Line products, we recommend installation by the Roth Czech s.r.o. service department, or an authorized service company.

Walk in Line
free space



A close-up photograph of a person's arm and hand, wet with water droplets, is positioned on the left side of the page. The background is a soft-focus shower curtain with water running down it.

Enjoy the comfort
of free space

Walk in Line

Free space enhanced by the use of large glass panels of 8mm safety glass treated with RothETC surface finishing. Make a choice from a broad range of existing shapes and sizes or simply ask for your individual shower solution.

■ protective aluminium profile at the bottom glass edge

■ angle pieces are embedded from the inside

■ the possibility to order any glass with „mirror effect“ option

Calida Walk In extra safe

special safety element
- protective foil on glass

CI TWF

large shower area solution

- all types with extra protective foil
- available in modern colour Black elox
- modern RothETC glass treatment for easy maintenance

6 mm ESG Tempered glass
with safety foil
Transparent / Printing



Profile colour
Brilliant / Black elox



modern look of glass with printing



■ **CI TWF VPF**
- Brillant / Transparent safety foil



■ **CI TWF NPF**
- Black elox / Transparent safety foil

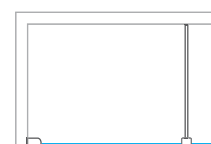
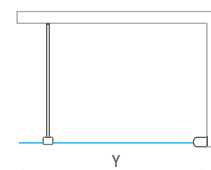


■ **CI TWF VIF**
- Brillant / Printed safety foil

CI TWF (large frameless shower screen)

type	ordering No.	installation width (y)	height (h)	profile	glass	delivery method
CI TWF/800	CI TWF 08020 VPF	773-800	2020*	brillant	transparent	0
CI TWF/800	CI TWF 08020 NPF			black elox	transparent	0
CI TWF/800	CI TWF 08020 VIF			brillant	printing	0
CI TWF/800	CI TWF 08020 NIF			black elox	printing	0
CI TWF/900	CI TWF 09020 VPF	873-900	2020*	brillant	transparent	0
CI TWF/900	CI TWF 09020 NPF			black elox	transparent	0
CI TWF/900	CI TWF 09020 VIF			brillant	printing	0
CI TWF/900	CI TWF 09020 NIF			black elox	printing	0
CI TWF/1000	CI TWF 10020 VPF	973-1000	2020*	brillant	transparent	0
CI TWF/1000	CI TWF 10020 NPF			black elox	transparent	0
CI TWF/1000	CI TWF 10020 VIF			brillant	printing	0
CI TWF/1000	CI TWF 10020 NIF			black elox	printing	0
CI TWF/1100	CI TWF 11020 VPF	1073-1100	2020*	brillant	transparent	0
CI TWF/1100	CI TWF 11020 NPF			black elox	transparent	0
CI TWF/1100	CI TWF 11020 VIF			brillant	printing	0
CI TWF/1100	CI TWF 11020 NIF			black elox	printing	0
CI TWF/1200	CI TWF 12020 VPF	1173-1200	2020*	brillant	transparent	0
CI TWF/1200	CI TWF 12020 NPF			black elox	transparent	0
CI TWF/1200	CI TWF 12020 VIF			brillant	printing	0
CI TWF/1200	CI TWF 12020 NIF			black elox	printing	0
CI TWF/1400	CI TWF 14020 VPF	1373-1400	2020*	brillant	transparent	0
CI TWF/1400	CI TWF 14020 NPF			black elox	transparent	0
CI TWF/1400	CI TWF 14020 VIF			brillant	printing	0
CI TWF/1400	CI TWF 14020 NIF			black elox	printing	0

■ **CI TWF** - universal LEFT and RIGHT solution



h* - height including supporting elements



■ Vertical aluminium wall profiles



■ Support bar of the screen (max. 1 200 mm)

Philly Loft

industrial design

PHILLY LOFT SKY

large space shower screen

- modern industrial design with profiles in Black elox colour
- RothETC glass treatment for easy maintenance
- easy installation and reliable functionality



6 mm ESG Tempered glass
Transparent



Profile colour
Black elox



- Vertical aluminum profiles on the outside of the glass

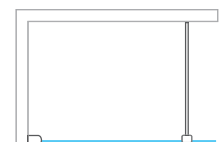
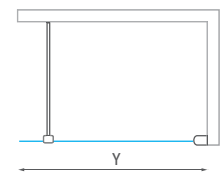
PHILLY LOFT SKY (large shower area solution)

type	number and dimensions of segments	configuration
800/2	2 × 400	
900/3	3 × 300	
1200/3	3 × 400	
1200/4	4 × 300	
1500/5	5 × 300	
1600/4	4 × 400	



- Support bar (max. 1 200 mm) in Black elox finishing

- universal LEFT and RIGHT solution



PHILLY LOFT SKY (large shower area solution)

type	ordering No.	installation width (y)	height (h)	profile	glass	delivery method
PHILLY LOFT SKY 800/2	PLS 08020 NP2	780–790	2003*	black elox	transparent	0
PHILLY LOFT SKY 900/3	PLS 09020 NP3	880–890	2003*	black elox	transparent	0
PHILLY LOFT SKY 1200/3	PLS 12020 NP3	1180–1190	2003*	black elox	transparent	0
PHILLY LOFT SKY 1200/4	PLS 12020 NP4	1180–1190	2003*	black elox	transparent	0
PHILLY LOFT SKY 1500/5	PLS 15020 NP5	1480–1490	2003*	black elox	transparent	0
PHILLY LOFT SKY 1600/4	PLS 16020 NP4	1580–1590	2003*	black elox	transparent	0

h* - height including supporting elements



Philly Loft Sky and Philly Loft Horizon offer a distinctive industrial-style design. The Philly Loft Sky design features vertical black aluminum profiles. This series includes variants from two to five segments with a width of 300 or 400 millimeters. The Horizon version is a variant with horizontal black profiles on the outside of the glass.



Philly Loft

industrial design

convenient entrance
without door



PHILLY LOFT HORIZON

large space shower screen

- modern industrial design with profiles in Black elox colour
- RothETC glass treatment for easy maintenance
- easy installation and reliable functionality



6 mm ESG Tempered glass
Transparent



Barva profilu
Black elox

PHILLY LOFT HORIZON (large shower area solution)

type	ordering No.	installation width (y)	height (h)	profile	glass	delivery method
PHILLY LOFT HORIZON 800	PLH 08020 NPE	780-790	2003*	black elox	transparent	0
PHILLY LOFT HORIZON 900	PLH 09020 NPE	880-890	2003*	black elox	transparent	0
PHILLY LOFT HORIZON 1000	PLH 10020 NPE	980-990	2003*	black elox	transparent	0
PHILLY LOFT HORIZON 1200	PLH 12020 NPE	1180-1190	2003*	black elox	transparent	0
PHILLY LOFT HORIZON 1400	PLH 14020 NPE	1380-1390	2003*	black elox	transparent	0

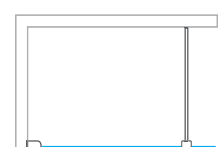
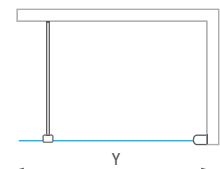
h* - height including supporting elements



- universal LEFT and RIGHT solution



- Horizontal aluminum profiles on the outside of the glass and support bar (max. 1200 mm) in Black elox finishing



Nominal sizes of shower enclosures are designed for INSTALLATION ON THE TRAY and they are always assembled with indentation from the edge of the tray. With INSTALLATION ON THE TILES there is a risk, that the size of shower enclosure will be smaller than measured width of the tiles. It is necessary to follow the size charts on "TECHNICAL SPECIFICATION" pages at the end of our catalogue (p. 241-260).

spacious shower
completely without barriers



WALK G

large frameless shower screen
for corner installation

- RothETC glass treatment for easy maintenance
- „mirror effect“ option for any glass - see page 90 - 91



8 mm ESG Tempered glass
Transparent 02



Profile colour
Brillant 00

WALK G (frameless shower screen)

type	ordering No.	installation width (y)	height (h)	profile	glass	delivery method
WALK G/900	940-9000000-00-02	876-886	2026*	brillant	transparent	S
WALK G/1000	940-1000000-00-02	976-986	2026*	brillant	transparent	S
WALK G/1200	940-1200000-00-02	1176-1186	2026*	brillant	transparent	S
WALK G/1400	940-1400000-00-02	1376-1386	2026*	brillant	transparent	S
WALK G/1500	940-1500000-00-02	1476-1486	2026*	brillant	transparent	0

h* - height including supporting elements

WALK G (atypical customized solution)

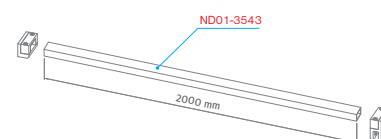
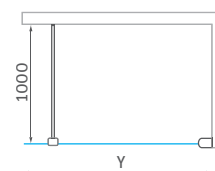
type	width (y)	height (h)	profile	glass	delivery method
WALK G	up to 1500 mm	up to 2000 mm	brillant	transparent	Z

Support bar - if you need a longer bar than the standard 100 cm, you can order this longer version (200 cm) and shorten it to the required length during assembly

type	ordering No.	profile	delivery method
SUPPORT BAR - length 2000 mm	ND01-3543	brillant	S



■ WALK G



Nominal sizes of shower enclosures are designed for INSTALLATION ON THE TRAY and they are always assembled with indentation from the edge of the tray. With INSTALLATION ON THE TILES there is a risk, that the size of shower enclosure will be smaller than measured width of the tiles. It is necessary to follow the size charts on "TECHNICAL SPECIFICATION" pages at the end of our catalogue (p. 241-260).

Walk In Line

free space



WALK H

large frameless shower screen
for installation along the wall

- RothETC glass treatment for easy maintenance
- „mirror effect“ option for any glass - see page 90 - 91



8 mm ESG Tempered glass
Transparent O2



Profile colour
Brillant OO

WALK H (frameless shower screen)

type	ordering No.	installation width (y)	height (h)	profile	glass	delivery method
WALK H/1000	941-1000000-00-02	970	2026*	brillant	transparent	0
WALK H/1200	941-1200000-00-02	1170	2026*	brillant	transparent	0
WALK H/1400	941-1400000-00-02	1370	2026*	brillant	transparent	0
WALK H/1500	941-1500000-00-02	1470	2026*	brillant	transparent	0

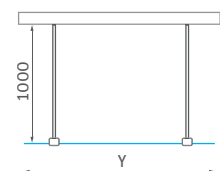
h* - height including supporting elements



■ WALK H

WALK H (atypical customized solution)

type	width (y)	height (h)	profile	glass	delivery method
WALK H	up to 1500 mm	up to 2000 mm	brillant	transparent	Z
WALK H	up to 1500 mm	from 2001 up to 2400 mm	brillant	transparent	Z



Nominal sizes of shower enclosures are designed for INSTALLATION ON THE TRAY and they are always assembled with indentation from the edge of the tray. With INSTALLATION ON THE TILES there is a risk, that the size of shower enclosure will be smaller than measured width of the tiles. It is necessary to follow the size charts on "TECHNICAL SPECIFICATION" pages at the end of our catalogue (p. 241-260).

standard support bar length
maximum 1 200 mm



■ WALK A

WALK IN

we offer large frameless shower screens
in many custom combinations

- choose from the drawings
a combination according to your needs
- Roth Czech - precise custom production
- RothETC glass treatment
for easy maintenance

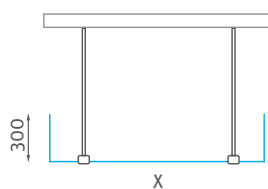


8 mm ESG Tempered glass
Transparent 02



Profile colour
Brillant 00

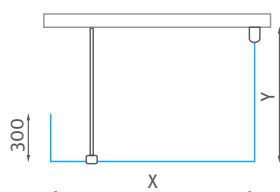
■ WALK A



WALK A, B, C, F (atypical customized solution)

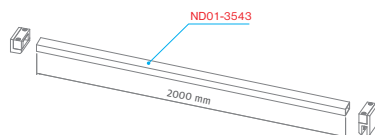
type	width (x/y)	height (h)	profile	glass	delivery method
WALK A	up to 1500 mm	up to 2000 mm	brillant	transparent	Z
WALK B	up to 1500 mm	up to 2000 mm	brillant	transparent	Z
WALK C	up to 1500 mm	up to 2000 mm	brillant	transparent	Z
WALK F	up to 1500 mm	up to 2000 mm	brillant	transparent	Z

■ WALK B

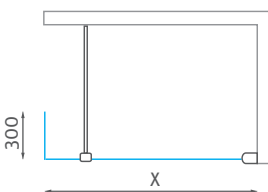


Support bar - if you need a longer bar than the standard 100 cm, you can order this longer version (2000 cm) and shorten it to the required length during assembly

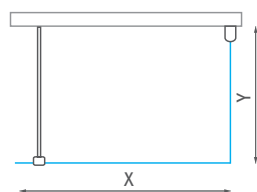
type	ordering No.	profile	delivery method
SUPPORT BAR - length 2000 mm	ND01-3543	brillant	S



■ WALK C



■ WALK F



■ The hinge screws are embedded in the glass level

Walk In Line
free space

convenient entrance
without door

ECWALK

large frameless shower screen

■ modern industrial design
in two profile colours

■ standard height 2050 mm

6 mm ESG Tempered glass
Transparent 02



Profile colour
Brilliant 00 / Black elox 05



■ ECWALK Black elox

standard support bar length
maximum 1 200 mm



■ Bracket in Black elox finish (bar length to 1 200 mm)



■ Bracket in Brillant finish (bar length to 1 200 mm)

ECWALK (frameless shower screen)

type	ordering No.	installation width (y)	height (h)	profile	glass	delivery method
ECWALK/900	585-9000000-05-02	888-912	2075*	black elox	transparent	0
ECWALK/1000	585-1000000-05-02	988-1012	2075*	black elox	transparent	0
ECWALK/1200	585-1200000-05-02	1188-1212	2075*	black elox	transparent	0
ECWALK/1400	585-1400000-05-02	1388-1412	2075*	black elox	transparent	0
ECWALK/900	585-9000000-00-02	888-912	2075*	brillant	transparent	0
ECWALK/1000	585-1000000-00-02	988-1012	2075*	brillant	transparent	0
ECWALK/1200	585-1200000-00-02	1188-1212	2075*	brillant	transparent	0
ECWALK/1400	585-1400000-00-02	1388-1412	2075*	brillant	transparent	0

h* - height including supporting elements

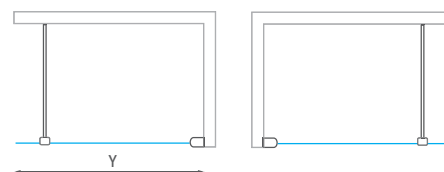


■ Protective aluminum profile on the bottom of the glass

ECWALK (atypical customized solution)

type	width (y)	height (h)	profile	glass	delivery method
ECWALK	up to 1500 mm	up to 2050 mm	black elox	transparent	Z

■ ECWALK - universal LEFT and RIGHT solution



Nominal sizes of shower enclosures are designed for INSTALLATION ON THE TRAY and they are always assembled with indentation from the edge of the tray. With INSTALLATION ON THE TILES there is a risk, that the size of shower enclosure will be smaller than measured width of the tiles. It is necessary to follow the size charts on "TECHNICAL SPECIFICATION" pages at the end of our catalogue (p. 241-260).

Elegant Neo Line
lightness and elegance

Elegant Neo Line

Lightness, purity and elegance - the main attributes underlining the airy design of glass

Do you want have pure lines, quality materials in your bathroom, and do not want to be limited by a small range of installation dimensions?
The ELEGANT NEO series will fulfill these requirements without any compromise. Timeless design of hinges and handles made of high quality steel underlined by the integrated minimalist braces to ensure perfect stability.

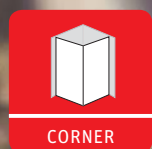
■ unrivaled range of installation dimensions

■ one type of door for all combinations

■ integrated door bracing profiles



QUADRANT



CORNER



NICHE

Elegant Neo Line

lightness and elegance

unrivalled range
of installation dimensions

GR2N

quadrant shower enclosure
with a double-door opening

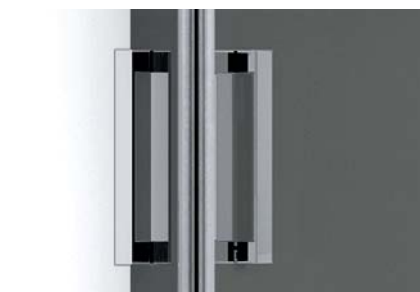
- high quality stainless steel hinges
- integrated door bracing profiles
- standard height 2 000 mm



6 mm ESG Tempered glass
Transparent O2



Profile colour
Brilliant OO



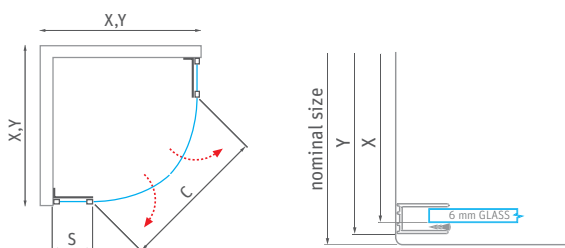
■ Chrome-plated fittings allows easy glass movement and setting installation dimensions up to 100 mm

■ Elegant design of the metal handle

GR2N (quadrant shower enclosure with a double-door opening)

type	ordering No.	installation width (y)	height (h)	door width (c)	side part width (s)	profile	glass	delivery method
GR2N / 900-1000	187-1000000-00-02	885-985	2015*	710-900	290	brillant	transparent	S
GR2N / 1000-1100	187-1100000-00-02	985-1085	2015*	860-1050	290	brillant	transparent	S

R - standard radius R550, h* - height including supporting elements



Nominal sizes of shower enclosures are designed for INSTALLATION ON THE TRAY and they are always assembled with indentation from the edge of the tray. With INSTALLATION ON THE TILES there is a risk, that the size of shower enclosure will be smaller than measured width of the tiles. It is necessary to follow the size charts on "TECHNICAL SPECIFICATION" pages at the end of our catalogue (p. 241-260).



Products from **ELEGANT NEO** series allows you to use standard - produced dimensions with high flexibility of nominal dimensions from 700 to 1 200 mm.



■ GR2N

Elegant Neo Line
lightness and elegance

one door will
solve a lot of situations

GDO1N

single shower door with fixed element

6 mm ESG Tempered glass
Transparent 02



Profile colour
Brillant 00



■ **GDO1N + GDO1N**

universal left and right solution

- one type of door for all combinations
 - corner entry with a double door opening
 - single door opening with a side panel
 - single shower door for a niche



■ Integrated bracing profile together with hinges in chrome finish ensures perfect door stability

■ Fittings allows easy glass movement and setting installation dimensions up to 100 mm

GDO1N (hinged shower door)

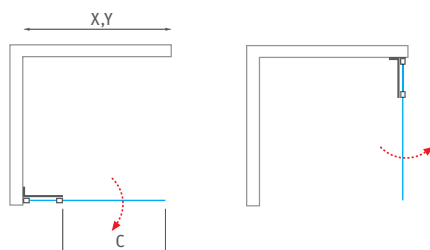
type	ordering No.	installation width (y)	height (h)	door width (c)	side part width (s)	profile	glass	delivery method
GDO1N/800	188-800000-00-02	685-785	2015*	380-480	290	brillant	transparent	S
GDO1N/900	188-900000-00-02	785-885	2015*	480-580	290	brillant	transparent	S
GDO1N/1000	188-100000-00-02	885-985	2015*	580-680	290	brillant	transparent	S
GDO1N/1100	188-110000-00-02	985-1085	2015*	680-780	290	brillant	transparent	S
GDO1N/1200	188-120000-00-02	1085-1185	2015*	780-880	290	brillant	transparent	S

h* - height including supporting elements

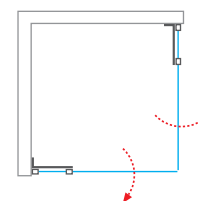
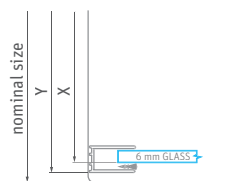
GDO1N (atypical customized solution)

type	width (y)	height (h)	profile	glass	delivery method
GDO1N	up to 1200 mm	up to 2000 mm	brillant	transparent	Z

■ GDO1N - universal LEFT and RIGHT solution



■ GDO1N + GDO1N - square or rectangular shower with a double door opening



Nominal sizes of shower enclosures are designed for INSTALLATION ON THE TRAY and they are always assembled with indentation from the edge of the tray. With INSTALLATION ON THE TILES there is a risk, that the size of shower enclosure will be smaller than measured width of the tiles. It is necessary to follow the size charts on "TECHNICAL SPECIFICATION" pages at the end of our catalogue (p. 241-260).

Elegant Neo Line

lightness and elegance

one door will solve
a lot of situations



GDO1N + GBN

square or rectangular shower enclosure
with a single opening door and a side panel

- up to 15 combinations of size variants
- great variability of door installation settings
- stabilizing components made of quality stainless steel underline the clean design of the series



6 mm ESG Tempered glass
Transparent 02



Profile colour
Brillant 00



GBN (side panel to GDO1N)

type	ordering No.	installation width (y)	height (h)	door width (c)	profile	glass	delivery method
GBN/800	189-8000000-00-02	775-785	2005*	-	brillant	transparent	S
GBN/900	189-9000000-00-02	875-885	2005*	-	brillant	transparent	S
GBN/1000	189-1000000-00-02	975-985	2005*	-	brillant	transparent	S

h* - height including supporting elements

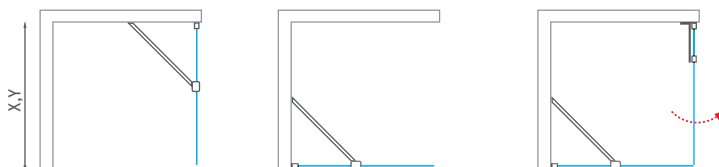
GBN (atypical customized solution)

type	width (y)	height (h)	profile	glass	delivery method
GBN	up to 1000 mm	up to 2000 mm	brillant	transparent	Z



■ **GBN** - universal LEFT and RIGHT solution

■ **GDO1N + GBN**



- Flexible side wall support bar allows you to set different angles and also solves any wall irregularities



Nominal sizes of shower enclosures are designed for **INSTALLATION ON THE TRAY** and they are always assembled with indentation from the edge of the tray. With **INSTALLATION ON THE TILES** there is a risk, that the size of shower enclosure will be smaller than measured width of the tiles. It is necessary to follow the size charts on "TECHNICAL SPECIFICATION" pages at the end of our catalogue (p. 241-260).

universal left and right solution



GDO1N + GZ

single opening shower door with a set of profiles GZ for installation to a niche

- great variability of door installation settings
- quality processing of functional elements
- universally oriented installation and convenient maintenance thanks to the glass treatment



6 mm ESG Tempered glass
Transparent O2



Profile colour
Brilliant OO

GZ (set of profiles)							
type	ordering No.	installation width (y)	height (h)	door width (c)	profile	glass	delivery method
GZ	N-191-0000000-00	26	1994	-	brilliant	-	S



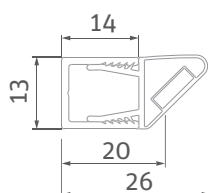
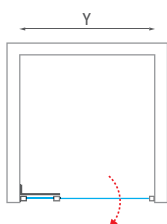
GZ (atypical customized solution)					
type	width (y)	height (h)	profile	glass	delivery method
GZ	-	up to 2000 mm	brilliant	-	Z



Nominal sizes of shower enclosures are designed for **INSTALLATION ON THE TRAY** and they are always assembled with indentation from the edge of the tray. With **INSTALLATION ON THE TILES** there is a risk, that the size of shower enclosure will be smaller than measured width of the tiles. It is necessary to follow the size charts on "TECHNICAL SPECIFICATION" pages at the end of our catalogue (p. 241–260).

■ **GDO1N + GZ** - single shower door for a niche

■ **GZ** - set of profiles



niche solution	installation width (Y)
GDO1N/800 + GZ	685–785
GDO1N/900 + GZ	785–885
GDO1N/1000 + GZ	885–985
GDO1N/1100 + GZ	985–1085
GDO1N/1200 + GZ	1085–1185

Elegant Neo Line
lightness and elegance

easy movement of the door
with opening in both directions

BI PF2 + BI FXP

square or rectangular shower enclosure
with a single opening door and a side panel BI FXP

8 mm ESG Tempered glass
Transparent



Profile colour
Brillant / Black elox



■ BI PF2 + BI FXP

universal left and right solution

- standard door sizes from 800 to 1 200 mm
- more than 12 combinations of size variants
- available in modern colour Black elox
- quality lifting mechanism for comfortable opening in and out



■ Chrome fittings allow easy movement of the door



■ Rectangular combination of **BI PF2 + BI FXP** in modern Black elox finish

BI PF2 (single shower door)

type	ordering No.	installation width (y)	height (h)	door width (c)	side part width (s)	profile	glass	delivery method
BI PF2/800	BI PF2 08020 VPE	782–807	2019*	487	272–297	brillant	transparent	0
BI PF2/800	BI PF2 08020 NPE					black elox	transparent	0
BI PF2/900	BI PF2 09020 VPE	882–907	2019*	587	272–297	brillant	transparent	0
BI PF2/900	BI PF2 09020 NPE					black elox	transparent	0
BI PF2/1000	BI PF2 10020 VPE	982–1007	2019*	587	372–397	brillant	transparent	0
BI PF2/1000	BI PF2 10020 NPE					black elox	transparent	0
BI PF2/1200	BI PF2 12020 VPE	1182–1207	2019*	637	522–547	brillant	transparent	0
BI PF2/1200	BI PF2 12020 NPE					black elox	transparent	0

BI FXP (side panel to door BI PF2)

BI FXP/800	BI FXP 08020 VPE	772–797	2020*	—	—	brillant	transparent	0
BI FXP/800	BI FXP 08020 NPE					black elox	transparent	0
BI FXP/900	BI FXP 09020 VPE	872–897	2020*	—	—	brillant	transparent	0
BI FXP/900	BI FXP 09020 NPE					black elox	transparent	0
BI FXP/1000	BI FXP 10020 VPE	972–997	2020*	—	—	brillant	transparent	0
BI FXP/1000	BI FXP 10020 NPE					black elox	transparent	0

h* - height including supporting elements



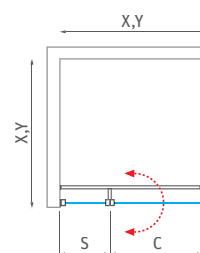
BI PF2 / BI FXP (atypical customized solution)

type	width (y)	height (h)	profile	glass	delivery method
BI PF2	up to 1200 mm	up to 2000 mm	brillant	transparent	Z
BI PF2	up to 1200 mm	up to 2000 mm	black elox	transparent	Z
BI FXP	up to 1000 mm	up to 2000 mm	brillant	transparent	Z
BI FXP	up to 1000 mm	up to 2000 mm	black elox	transparent	Z

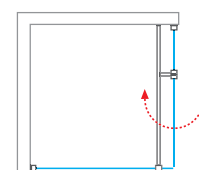


Nominal sizes of shower enclosures are designed for **INSTALLATION ON THE TRAY** and they are always assembled with indentation from the edge of the tray. With **INSTALLATION ON THE TILES** there is a risk, that the size of shower enclosure will be smaller than measured width of the tiles. It is necessary to follow the size charts on "TECHNICAL SPECIFICATION" pages at the end of our catalogue (p. 241–260).

■ BI PF2 + BI FXP



■ BI FXP + BI PF2



Elegant Neo Line

lightness and elegance

easy movement of the door
with opening in both directions

BI PF2 + BI SET

single opening shower door with a set of profiles BI SET
for installation to a niche

- convenient opening in and out
- standard height 2 000 mm
- universal installation and convenient maintenance thanks to special glass treatment RothETC



8 mm ESG Tempered glass
Transparent



Profile colour
Brillant / Black elox



■ Chrome fittings allow easy movement of the door in both directions



■ Elegant design of chrome handle

BI PF2 (single shower door)

type	ordering No.	installation width (y)	height (h)	door width (c)	side part width (s)	profile	glass	delivery method
BI PF2/800	BI PF2 08020 VPE	782–807	2019*	487	240	brillant	transparent	0
BI PF2/800	BI PF2 08020 NPE					black elox	transparent	0
BI PF2/900	BI PF2 09020 VPE	882–907	2019*	587	240	brillant	transparent	0
BI PF2/900	BI PF2 09020 NPE					black elox	transparent	0
BI PF2/1000	BI PF2 10020 VPE	982–1007	2019*	587	340	brillant	transparent	0
BI PF2/1000	BI PF2 10020 NPE					black elox	transparent	0
BI PF2/1200	BI PF2 12020 VPE	1182–1207	2019*	637	490	brillant	transparent	0
BI PF2/1200	BI PF2 12020 NPE					black elox	transparent	0

BI SET (set of profiles)

BI SET	BI SET 2000 VE	15–25	2002	–	–	brillant	transparent	0
BI SET	BI SET 2000 NE					black elox	transparent	0

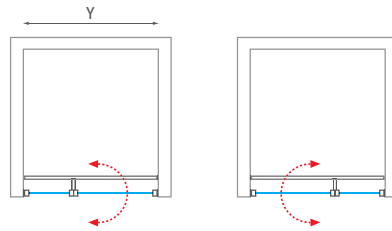
h* - height including supporting elements

BI SET (atypical customized solution)

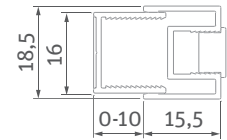
type	width (y)	height (h)	profile	glass	delivery method
BI SET	–	up to 2000 mm	brillant	transparent	Z
BI SET	–	up to 2000 mm	black elox	transparent	Z

installation to a niche	installation width (Y)
BI PF2/800 + BI SET	775-810
BI PF2/900 + BI SET	875-910
BI PF2/1000 + BI SET	975-1010
BI PF2/1200 + BI SET	1175-1210

■ **BI PF2 + BI SET**
single shower door to a niche



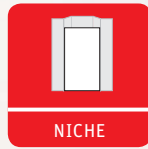
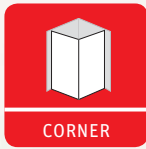
■ **BI SET** - set of profiles



■ **BI PF2 + BI SET**

Elegant Line
chrome classic





It gives you the opportunity to find
an inspiration for weekdays

Elegant Line

New standard variations of doors up to 1 500 mm
will let you use the space in your bathroom
to the maximum and it makes this line
the true leader in its category.

■ hinges with reliable lifting
mechanism

■ EASY INSTALL=easy installation
of fixed glass in 3 steps

■ chrome-plated brass details

Elegant Line

chrome classic

EASY INSTALL wall profile
for easy installation

GR2

quadrant shower enclosure
with a double-door opening

- elegant solutions with a combination of 8 mm and 6 mm safety glass on chrome-plated brass hinges
- standard radius R550



6+8 mm ESG Tempered glass
Transparent O2
6 mm door glass + 8 mm fixed panel



Profile colour
Brillant OO



■ Design-matched handles with chrome finish



■ Flexible support bar for better stability

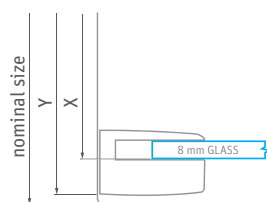
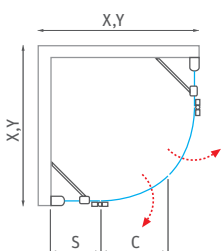


■ Hinges in chrome finish

GR2 (quadrant shower enclosure with a double-door opening)

type	ordering No.	installation width (y)	height (h)	door width (c)	side part width (s)	profile	glass	delivery method
GR2/800	131-8000000-00-02	775-795	2017*	455	175-200	brillant	transparent	0
GR2/900	131-9000000-00-02	875-895	2017*	500	225-250	brillant	transparent	S
GR2/1000	131-1000000-00-02	975-995	2017*	500	325-350	brillant	transparent	0

R - standard radius R550, h* - height including supporting elements



Nominal sizes of shower enclosures are designed for **INSTALLATION ON THE TRAY** and they are always assembled with indentation from the edge of the tray. With **INSTALLATION ON THE TILES** there is a risk, that the size of shower enclosure will be smaller than measured width of the tiles. It is necessary to follow the size charts on "TECHNICAL SPECIFICATION" pages at the end of our catalogue (p. 241-260).



The proven **Elegant Line** series offers very durable products with reliable quality. However, thanks to the frameless design, it acts lightly, despite the use of 8 and 6 mm safety glass.



■ GR2

Elegant Line
chrome classic

EASY INSTALL wall profile
for easy installation

GDOL1 + GDOP1

square or rectangular shower enclosure
with a double-door opening

6+8 mm ESG Tempered glass
Transparent O2
6 mm door glass + 8 mm fixed panel



Profile colour
Brillant 00

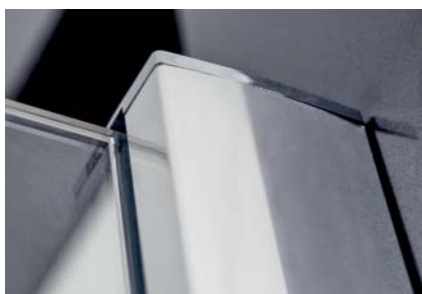


■ GDOL1 + GDOP1

standard door variants up to 1 500 mm for great use of your bathroom space

■ EASY INSTALL – easy installation of fixed glass in 3 steps

- fix the profile to the wall
- insert the safety glass and fix it easily with adjustable screws
- click in a covering profile



■ EASY INSTALL profiles and adjustable support bar for perfect stability

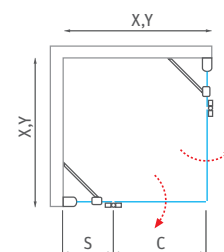
■ Lifting mechanism of hinges, threshold components and seals for perfect functionality

GDOL1 / GDOP1 (hinged shower door)

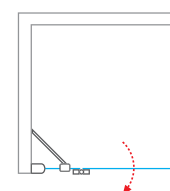
type	ordering No.	installation width (y)	height (h)	door width (c)	side part width (s)	profile	glass	delivery method
GDOL1/800	132-800000L-00-02	775–800	2017*	525	225–250	brillant	transparent	0
GDOL1/900	132-900000L-00-02	875–900	2017*	625	225–250	brillant	transparent	S
GDOL1/1000	132-100000L-00-02	975–1000	2017*	625	325–350	brillant	transparent	0
GDOL1/1100	132-110000L-00-02	1075–1100	2017*	725	325–350	brillant	transparent	0
GDOL1/1200	132-120000L-00-02	1175–1200	2017*	725	425–450	brillant	transparent	0
GDOL1/1300	132-130000L-00-02	1275–1300	2017*	825	425–450	brillant	transparent	0
GDOL1/1400	132-140000L-00-02	1375–1400	2017*	825	525–550	brillant	transparent	0
GDOL1/1500	132-150000L-00-02	1475–1500	2017*	925	525–550	brillant	transparent	0
GDOP1/800	132-800000P-00-02	775–800	2017*	525	225–250	brillant	transparent	0
GDOP1/900	132-900000P-00-02	875–900	2017*	625	225–250	brillant	transparent	S
GDOP1/1000	132-100000P-00-02	975–1000	2017*	625	325–350	brillant	transparent	0
GDOP1/1100	132-110000P-00-02	1075–1100	2017*	725	325–350	brillant	transparent	0
GDOP1/1200	132-120000P-00-02	1175–1200	2017*	725	425–450	brillant	transparent	0
GDOP1/1300	132-130000P-00-02	1275–1300	2017*	825	425–450	brillant	transparent	0
GDOP1/1400	132-140000P-00-02	1375–1400	2017*	825	525–550	brillant	transparent	0
GDOP1/1500	132-150000P-00-02	1475–1500	2017*	925	525–550	brillant	transparent	0

h* - height including supporting elements

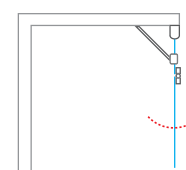
■ GDOL1 + GDOP1



■ GDOL1



■ GDOP1



GDOL1 / GDOP1 (atypical customized solution)

type	width (y)	height (h)	profile	glass	delivery method
GDOL1 / GDOP1	up to 1500 mm	up to 2000 mm	brillant	transparent	Z
GDOL1 / GDOP1	up to 1500 mm	up to 2000 mm	brillant	chinchilla	Z
GDOL1 / GDOP1	up to 1500 mm	up to 2000 mm	brillant	rauch	Z
GDOL1 / GDOP1	up to 1500 mm	up to 2000 mm	brillant	satinato	Z



Nominal sizes of shower enclosures are designed for INSTALLATION ON THE TRAY and they are always assembled with indentation from the edge of the tray. With INSTALLATION ON THE TILES there is a risk, that the size of shower enclosure will be smaller than measured width of the tiles. It is necessary to follow the size charts on "TECHNICAL SPECIFICATION" pages at the end of our catalogue (p. 241–260).

Elegant Line chrome classic

EASY INSTALL wall profile
for easy installation



■ GDOL1 + GBP

GDOL1 + GBP GDOP1 + GBL

square or rectangular shower enclosure
with a single opening door and a side panel

- up to 48 final shower enclosure variants
- hinges with lifting mechanism
- RothETC glass surface treatment for easy maintenance



6+8 mm ESG Tempered glass
Transparent O2
6 mm door glass + 8 mm fixed panel



Profile colour
Brillant OO



GBL / GBP (side walls to GDOP1 and GDOL1)

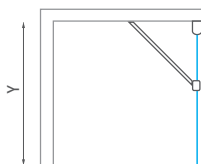
type	ordering No.	installation width (y)	height (h)	door width (c)	profile	glass	delivery method
GBL/800	133-800000L-00-02	775-800	2017*	—	brillant	transparent	0
GBL/900	133-900000L-00-02	875-900	2017*	—	brillant	transparent	S
GBL/1000	133-100000L-00-02	975-1000	2017*	—	brillant	transparent	0
GBP/800	133-800000P-00-02	775-800	2017*	—	brillant	transparent	0
GBP/900	133-900000P-00-02	875-900	2017*	—	brillant	transparent	S
GBP/1000	133-100000P-00-02	975-1000	2017*	—	brillant	transparent	0

h* - height including supporting elements

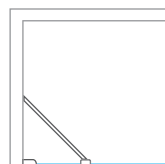
GBL / GBP (atypical customized solution)

type	width (y)	height (h)	profile	glass	delivery method
GBL / GBP	up to 1500 mm	up to 2000 mm	brillant	transparent	Z
GBL / GBP	up to 1500 mm	up to 2000 mm	brillant	chinchilla	Z
GBL / GBP	up to 1500 mm	up to 2000 mm	brillant	rauch	Z
GBL / GBP	up to 1500 mm	up to 2000 mm	brillant	satinato	Z

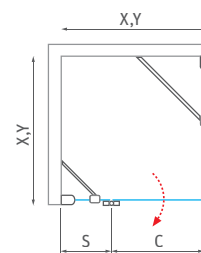
■ GBP



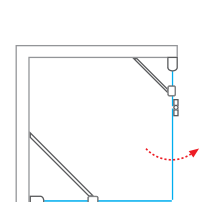
■ GBL



■ GDOL1 + GBP



■ GBL + GDOP1



Nominal sizes of shower enclosures are designed for INSTALLATION ON THE TRAY and they are always assembled with indentation from the edge of the tray. With INSTALLATION ON THE TILES there is a risk, that the size of shower enclosure will be smaller than measured width of the tiles. It is necessary to follow the size charts on "TECHNICAL SPECIFICATION" pages at the end of our catalogue (p. 241-260).

standard door variants up to 1 500 mm
for great use of your bathroom space



■ GDNL1

GDNL1 / GDNP1

single shower door with fixed element
for installation to a niche

- large offer of standard door sizes
- RothETC glass surface treatment for easy maintenance
- easy assembly due to EASY INSTALL profile



6+8 mm ESG Tempered glass
Transparent O2
6 mm door glass + 8 mm fixed panel



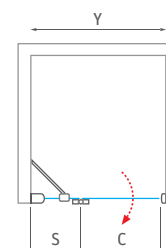
Profile colour
Brillant OO

GDNL1 / GDNP1 (hinged shower door for a niche)

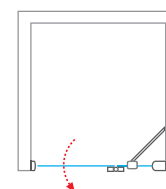
type	ordering No.	installation width (y)	height (h)	door width (c)	side part width (s)	profile	glass	delivery method
GDNL1/800	134-80000L-00-02	780-820	2017*	510	225-250	brillant	transparent	0
GDNL1/900	134-90000L-00-02	880-920	2017*	610	225-250	brillant	transparent	0
GDNL1/1000	134-10000L-00-02	980-1020	2017*	610	325-350	brillant	transparent	0
GDNL1/1100	134-11000L-00-02	1080-1120	2017*	710	325-350	brillant	transparent	0
GDNL1/1200	134-12000L-00-02	1180-1220	2017*	710	425-450	brillant	transparent	0
GDNL1/1300	134-13000L-00-02	1280-1320	2017*	810	425-450	brillant	transparent	0
GDNL1/1400	134-14000L-00-02	1380-1420	2017*	810	525-550	brillant	transparent	0
GDNL1/1500	134-15000L-00-02	1480-1520	2017*	910	525-550	brillant	transparent	0
GDNP1/800	134-80000P-00-02	780-820	2017*	510	225-250	brillant	transparent	0
GDNP1/900	134-90000P-00-02	880-920	2017*	610	225-250	brillant	transparent	0
GDNP1/1000	134-10000P-00-02	980-1020	2017*	610	325-350	brillant	transparent	0
GDNP1/1100	134-11000P-00-02	1080-1120	2017*	710	325-350	brillant	transparent	0
GDNP1/1200	134-12000P-00-02	1180-1220	2017*	710	425-450	brillant	transparent	0
GDNP1/1300	134-13000P-00-02	1280-1320	2017*	810	425-450	brillant	transparent	0
GDNP1/1400	134-14000P-00-02	1380-1420	2017*	810	525-550	brillant	transparent	0
GDNP1/1500	134-15000P-00-02	1480-1520	2017*	910	525-550	brillant	transparent	0

h* - height including supporting elements

■ GDNL1



■ GDNP1



GDNL1 / GDNP1 (atypical customized solution)

type	width (y)	height (h)	profile	glass	delivery method
GDNL1 / GDNP1	up to 1500 mm	up to 2000 mm	brillant	transparent	Z
GDNL1 / GDNP1	up to 1500 mm	up to 2000 mm	brillant	chinchilla	Z
GDNL1 / GDNP1	up to 1500 mm	up to 2000 mm	brillant	rauch	Z
GDNL1 / GDNP1	up to 1500 mm	up to 2000 mm	brillant	satinato	Z



Nominal sizes of shower enclosures are designed for **INSTALLATION ON THE TRAY** and they are always assembled with indentation from the edge of the tray. With **INSTALLATION ON THE TILES** there is a risk, that the size of shower enclosure will be smaller than measured width of the tiles. It is necessary to follow the size charts on "TECHNICAL SPECIFICATION" pages at the end of our catalogue (p. 241-260).

Elegant Line
chrome classic

EASY INSTALL wall profile
for easy installation

GDN2

double shower door for installation to a niche

6+8 mm ESG Tempered glass
Transparent O2

6 mm door glass + 8 mm fixed panel

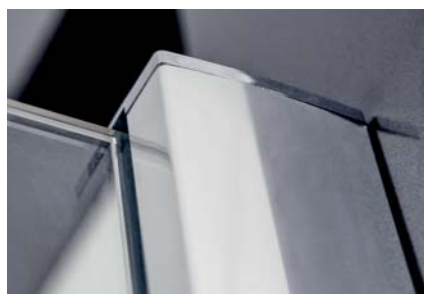


Profile colour
Brillant OO



standard door variants up to 1 500 mm for great use of your bathroom space

- hinges with lifting mechanism
- RothETC glass surface treatment for easy maintenance



- EASY INSTALL profiles and adjustable support bar for perfect stability

- Lifting mechanism of hinges, threshold components and seals for perfect functionality

GDN2 (double shower door for a niche)

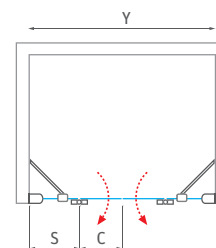
type	ordering No.	installation width (y)	height (h)	door width (c)	side part width (s)	profile	glass	delivery method
GDN2/1100	138-1100000-00-02	1060-1110	2017*	355	175-200	brillant	transparent	0
GDN2/1200	138-1200000-00-02	1160-1210	2017*	405	175-200	brillant	transparent	0
GDN2/1300	138-1300000-00-02	1260-1310	2017*	405	225-250	brillant	transparent	0
GDN2/1400	138-1400000-00-02	1360-1410	2017*	505	175-200	brillant	transparent	0
GDN2/1500	138-1500000-00-02	1460-1510	2017*	505	225-250	brillant	transparent	0

h* - height including supporting elements

GDN2 (atypical customized solution)

type	width (y)	height (h)	profile	glass	delivery method
GDN2	up to 1500 mm	up to 2000 mm	brillant	transparent	Z
GDN2	up to 1500 mm	up to 2000 mm	brillant	chinchilla	Z
GDN2	up to 1500 mm	up to 2000 mm	brillant	rauch	Z
GDN2	up to 1500 mm	up to 2000 mm	brillant	satinato	Z
GDN2	from 1501 up to 2000 mm	up to 2000 mm	brillant	transparent	Z
GDN2	from 1501 up to 2000 mm	up to 2000 mm	brillant	chinchilla	Z
GDN2	from 1501 up to 2000 mm	up to 2000 mm	brillant	rauch	Z
GDN2	from 1501 up to 2000 mm	up to 2000 mm	brillant	satinato	Z

■ GDN2



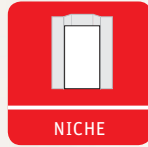
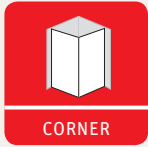
Nominal sizes of shower enclosures are designed for INSTALLATION ON THE TRAY and they are always assembled with indentation from the edge of the tray. With INSTALLATION ON THE TILES there is a risk, that the size of shower enclosure will be smaller than measured width of the tiles. It is necessary to follow the size charts on "TECHNICAL SPECIFICATION" pages at the end of our catalogue (p. 241-260).

Tower Line
you can rely on

Tower Line

Right in this series you will find a solution for every situation in the place of your daily relaxation

Opening through a special lifting mechanism both ways - inside and outside - in combination with high quality profiles in 2 variations of surface finishing, will find supporters everywhere, where it is necessary to solve the space variably and to use every free space.



- easy entrance through a completely openable door, both inside and outside
- universal left and right solution
- superior lifting mechanism is a basic condition for easy door opening, sufficient tightness and long lasting durability of the enclosure

Tower Line

you can rely on

proven lifting system
of the door opening

TR1

quadrant shower enclosure
with a double-door opening

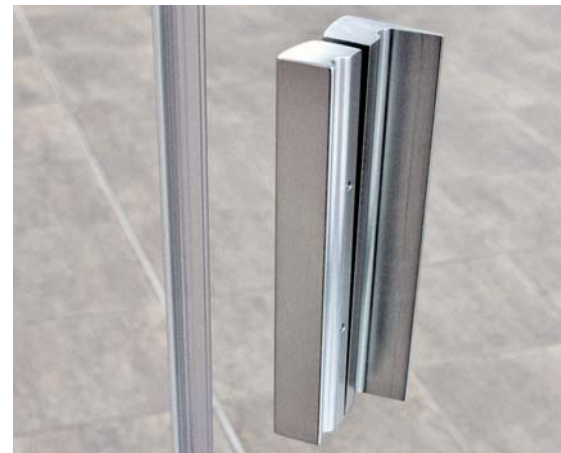
- easy entry through fully openable door, with opening in and out
- standard height 2000 mm
- high quality sealing elements and easy maintenance



6 mm ESG Tempered glass
Transparent 02



Profile colour
Brilliant 00 / Silver (Elox) 01



■ The magnetic seal for secure closing



■ Threshold strip and bottom door seal

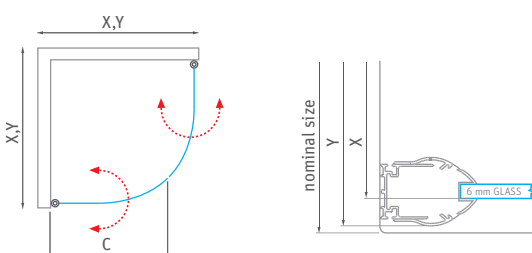


■ Ergonomic handle made of solid aluminum

TR1 (quadrant shower enclosure with a double-door opening)

type	ordering No.	installation width (y)	height (h)	door width (c)	side part width (s)	profile	glass	delivery method
TR1/900	722-9000000-00-02	870-890	2012*	660	—	brillant	transparent	S
TR1/900	722-9000000-01-02	870-890	2012*	660	—	silver	transparent	S
TR1/1000	722-1000000-00-02	970-990	2012*	760	—	brillant	transparent	O
TR1/1000	722-1000000-01-02	970-990	2012*	760	—	silver	transparent	O

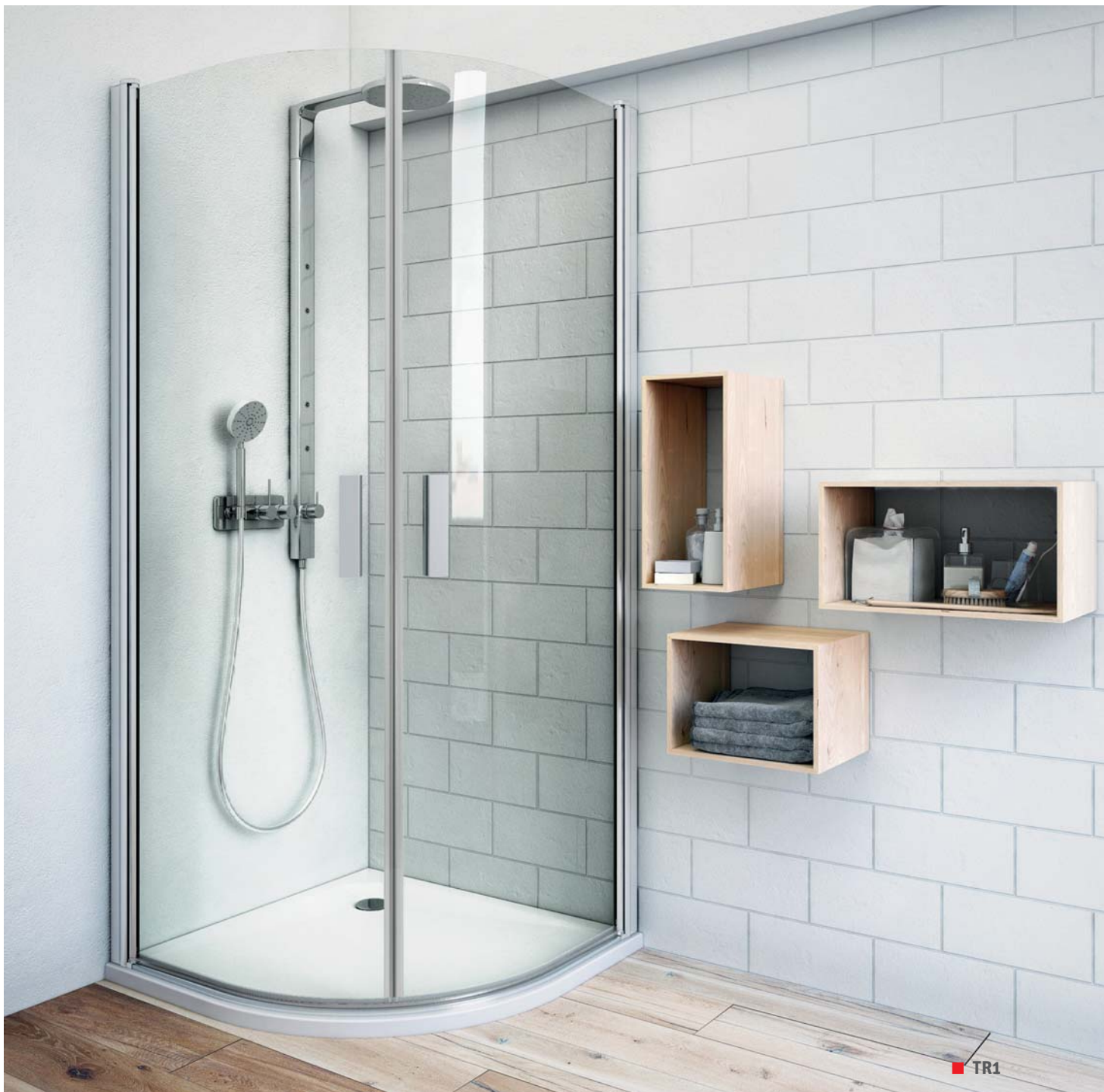
R - standard radius R550, h* - height including supporting elements



Nominal sizes of shower enclosures are designed for INSTALLATION ON THE TRAY and they are always assembled with indentation from the edge of the tray. With INSTALLATION ON THE TILES there is a risk, that the size of shower enclosure will be smaller than measured width of the tiles. It is necessary to follow the size charts on "TECHNICAL SPECIFICATION" pages at the end of our catalogue (p. 241-260).



Opening through a special lifting mechanism both ways - inside and outside - in combination with high quality profiles in 2 types of surface finishing - this is the **Tower Line** series.



Tower Line
you can rely on

proven lifting system
of the door opening

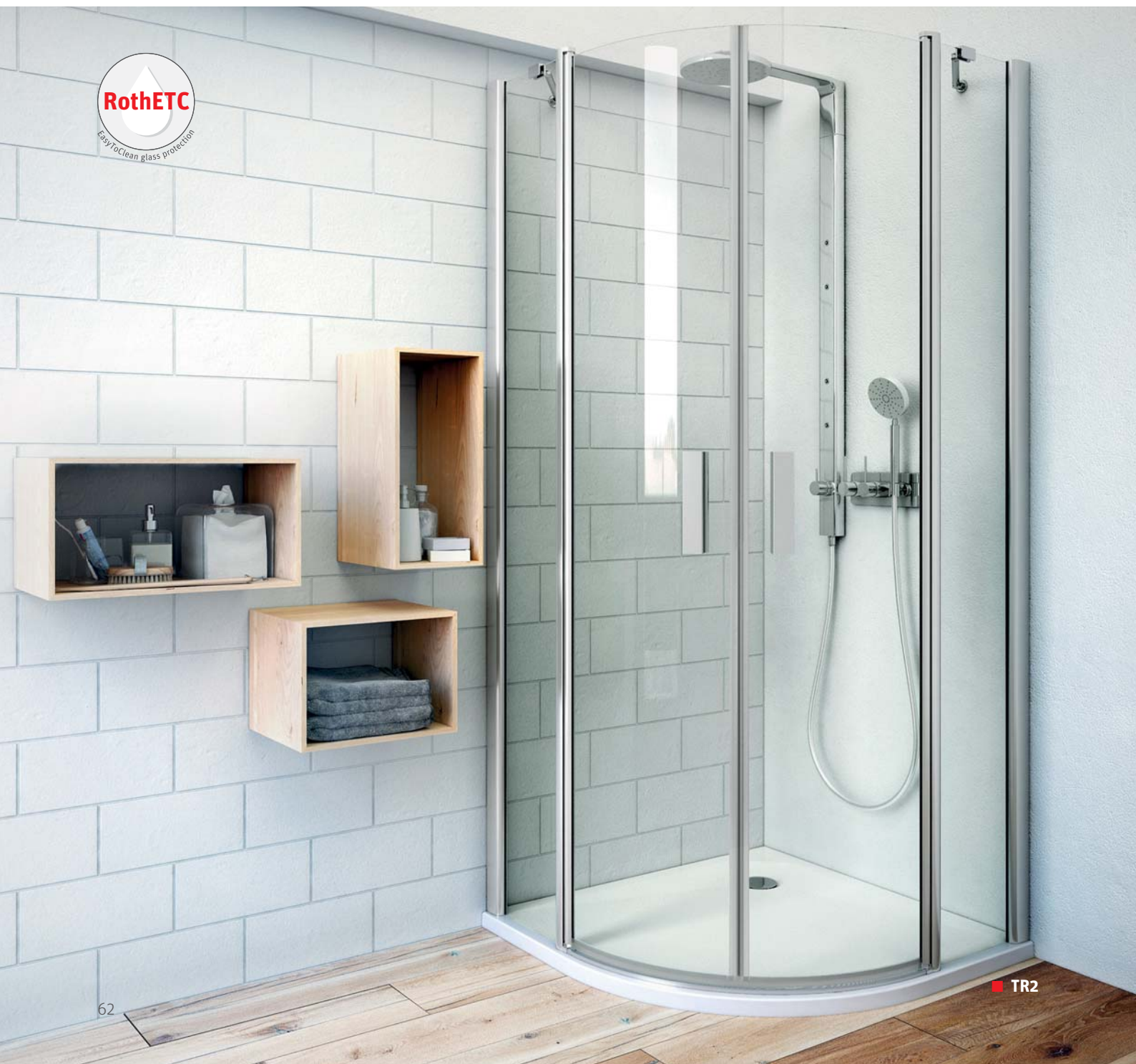
TR2 a TR2 Light

quadrant shower enclosure
with a double-door opening with fixed elements

6 mm ESG Tempered glass
Transparent 02



Profile colour
Brillant 00 / Silver (Elox) 01

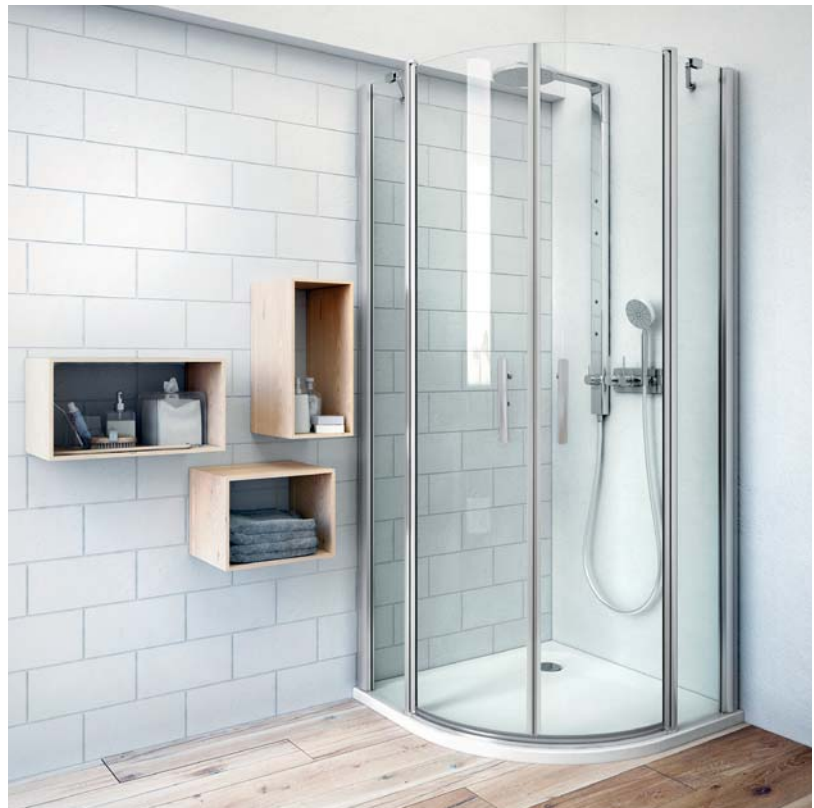


easy maintenance thanks to the minimum of profiles

- easy entry through fully openable door, with opening in and out
- standard height 2 000 mm
- high quality sealing elements and easy maintenance



■ Support bar of fixed part and lifting profile



■ The light version uses a different set of profiles and door handles - **TR2 Light**

TR2 (quadrant shower enclosure with a double-door opening)								
type	ordering No.	installation width (y)	height (h)	door width (c)	side part width (s)	profile	glass	delivery method
TR2/800	723-8000000-00-02	770-790	2019*	420	195-220	brillant	transparent	0
TR2/800	723-8000000-01-02	770-790	2019*	420	195-220	silver	transparent	0
TR2/900	723-9000000-00-02	870-890	2019*	420	295-320	brillant	transparent	S
TR2/900	723-9000000-01-02	870-890	2019*	420	295-320	silver	transparent	S
TR2/1000	723-1000000-00-02	970-990	2019*	420	395-420	brillant	transparent	0
TR2/1000	723-1000000-01-02	970-990	2019*	420	395-420	silver	transparent	0

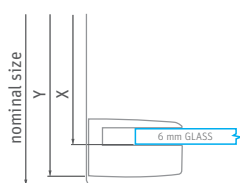
R - standard radius R550, h* - height including supporting elements



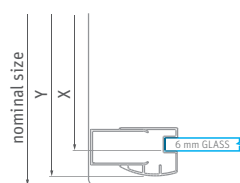
TR2 Light (quadrant shower enclosure with a double-door opening)								
type	ordering No.	installation width (y)	height (h)	door width (c)	side part width (s)	profile	glass	delivery method
TR2 LIGHT 900	738-9000000-00-02	870-890	2017*	420	300-320	brillant	transparent	S

R - standard radius R550, h* - height including supporting elements

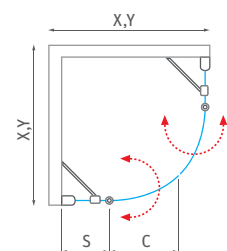
■ TR2



■ TR2 Light



■ TR2 i TR2 Light



Nominal sizes of shower enclosures are designed for INSTALLATION ON THE TRAY and they are always assembled with indentation from the edge of the tray. With INSTALLATION ON THE TILES there is a risk, that the size of shower enclosure will be smaller than measured width of the tiles. It is necessary to follow the size charts on "TECHNICAL SPECIFICATION" pages at the end of our catalogue (p. 241-260).

Tower Line

you can rely on

proven lifting system
of the door opening

TDO1 + TDO1

square or rectangular shower enclosure
with a double-door opening with fixed part

6 mm ESG Tempered glass
Transparent O2



Profile colour
Brillant OO / Silver (Elox) O1



■ Adjustable brace for safe door stability



■ Aluminum handle in a modern design



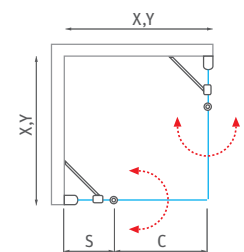
■ Lifting profile with threshold strip and bottom seal

TDO1 (hinged shower door)

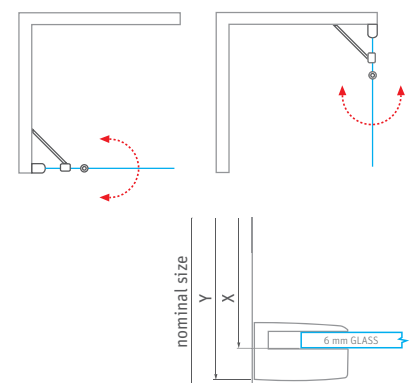
type	ordering No.	installation width (y)	height (h)	door width (c)	side part width (s)	profile	glass	delivery method
TDO1/800	724-8000000-00-02	775-790	2019*	450	295-320	brillant	transparent	S
TDO1/800	724-8000000-01-02	775-790	2019*	450	295-320	silver	transparent	O
TDO1/900	724-9000000-00-02	875-890	2019*	550	295-320	brillant	transparent	S
TDO1/900	724-9000000-01-02	875-890	2019*	550	295-320	silver	transparent	S
TDO1/1000	724-1000000-00-02	975-990	2019*	650	295-320	brillant	transparent	S
TDO1/1000	724-1000000-01-02	975-990	2019*	650	295-320	silver	transparent	S
TDO1/1100	724-1100000-00-02	1075-1090	2019*	650	395-420	brillant	transparent	O
TDO1/1100	724-1100000-01-02	1075-1090	2019*	650	395-420	silver	transparent	O
TDO1/1200	724-1200000-00-02	1175-1190	2019*	750	395-420	brillant	transparent	S
TDO1/1200	724-1200000-01-02	1175-1190	2019*	750	395-420	silver	transparent	O

h* - height including supporting elements

■ TDO1 + TDO1



■ TDO1 - universal LEFT and RIGHT solution



TDO1 (atypical customized solution)

type	width (y)	height (h)	profile	glass	delivery method
TDO1	up to 1200 mm	up to 2000 mm	silver / brillant	transparent	Z
TDO1	up to 1200 mm	up to 2000 mm	silver / brillant	intimglass*	Z
TDO1	up to 1200 mm	up to 2000 mm	silver / brillant	chinchilla*	Z
TDO1	up to 1200 mm	up to 2000 mm	silver / brillant	rauch	Z
TDO1	up to 1200 mm	up to 2000 mm	silver / brillant	satinato*	Z

* in the INTIMGLASS, CHINCHILLA, and SATINATO versions it is necessary to distinguish between LEFT and RIGHT solutions



Nominal sizes of shower enclosures are designed for INSTALLATION ON THE TRAY and they are always assembled with indentation from the edge of the tray. With INSTALLATION ON THE TILES there is a risk, that the size of shower enclosure will be smaller than measured width of the tiles. It is necessary to follow the size charts on "TECHNICAL SPECIFICATION" pages at the end of our catalogue (p. 241-260).

easy maintenance thanks to the minimum of profiles

- quality lifting mechanism for convenient opening inside and outside
- standard height 2 000 mm
- perfect tightness and long service life



■ TD01 + TD01

Tower Line

you can rely on

proven lifting system
of the door opening



TB

side wall for combination with single opening door TDO1 or TC01

- square or rectangular solution
- huge amount of combinations by size, profile, glass and door types
- quality support bar and sealing components for long service life



6 mm ESG Tempered glass
Transparent 02 / Intimglass 20



Profile colour
Brillant 00 / Silver (Elox) 01



TB (side panel to TDO1 or TC01)

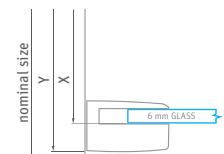
type	ordering No.	installation width (y)	height (h)	door width (c)	profile	glass	delivery method
TB/700	725-7000000-00-02	675-690	2008*	—	brillant	transparent	0
TB/700	725-7000000-01-02	675-690	2008*	—	silver	transparent	0
TB/750	725-7500000-00-02	725-740	2008*	—	brillant	transparent	0
TB/750	725-7500000-01-02	725-740	2008*	—	silver	transparent	0
TB/800	725-8000000-00-02	775-790	2008*	—	brillant	transparent	S
TB/800	725-8000000-01-02	775-790	2008*	—	silver	transparent	S
TB/900	725-9000000-00-02	875-890	2008*	—	brillant	transparent	S
TB/900	725-9000000-01-02	875-890	2008*	—	silver	transparent	S
TB/1000	725-1000000-00-02	975-990	2008*	—	brillant	transparent	S
TB/1000	725-1000000-01-02	975-990	2008*	—	silver	transparent	S

h* - height including supporting elements

TB (atypical customized solution)

type	width (y)	height (h)	profile	glass	delivery method
TB	up to 1200 mm	up to 2000 mm	silver / brillant	transparent	Z
TB	up to 1200 mm	up to 2000 mm	silver / brillant	intimglass*	Z
TB	up to 1200 mm	up to 2000 mm	silver / brillant	chinchilla*	Z
TB	up to 1200 mm	up to 2000 mm	silver / brillant	rauch	Z
TB	up to 1200 mm	up to 2000 mm	silver / brillant	satinato*	Z

* in the INTIMGLASS, CHINCHILLA, and SATINATO versions it is necessary to distinguish between LEFT and RIGHT solutions



Nominal sizes of shower enclosures are designed for **INSTALLATION ON THE TRAY** and they are always assembled with indentation from the edge of the tray. With **INSTALLATION ON THE TILES** there is a risk, that the size of shower enclosure will be smaller than measured width of the tiles. It is necessary to follow the size charts on "TECHNICAL SPECIFICATION" pages at the end of our catalogue (p. 241-260).

easy maintenance thanks
to the minimum of profiles



TBL / TBP

side wall for combination with single opening
door TDO1 or TCO1 in INTIMGLASS version

- in the INTIMGLASS version it is necessary to distinguish between LEFT and RIGHT solution

- Corner profile with magnetic closing seal

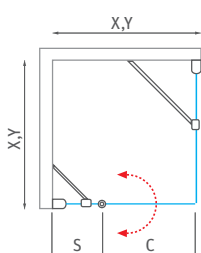


TBL / TBP (side panel to TDO1 or TCO1 in Intimglass version)

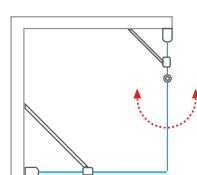
type	ordering No.	installation width (y)	height (h)	door width (c)	profile	glass	delivery method
TBL/800	725-800000L-00-20	775-790	2008*	—	brillant	intimglass	0
TBL/800	725-800000L-01-20	775-790	2008*	—	silver	intimglass	0
TBL/900	725-900000L-00-20	875-890	2008*	—	brillant	intimglass	0
TBL/900	725-900000L-01-20	875-890	2008*	—	silver	intimglass	0
TBL/1000	725-100000L-00-20	975-990	2008*	—	brillant	intimglass	0
TBL/1000	725-100000L-01-20	975-990	2008*	—	silver	intimglass	0
TBP/800	725-800000P-00-20	775-790	2008*	—	brillant	intimglass	0
TBP/800	725-800000P-01-20	775-790	2008*	—	silver	intimglass	0
TBP/900	725-900000P-00-20	875-890	2008*	—	brillant	intimglass	0
TBP/900	725-900000P-01-20	875-890	2008*	—	silver	intimglass	0
TBP/1000	725-100000P-00-20	975-990	2008*	—	brillant	intimglass	0
TBP/1000	725-100000P-01-20	975-990	2008*	—	silver	intimglass	0

h* - height including supporting elements / * in the INTIMGLASS version it is necessary to distinguish between LEFT and RIGHT solution

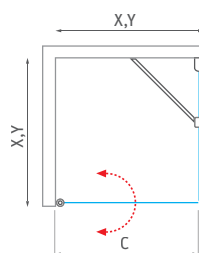
■ TDO1 + TB



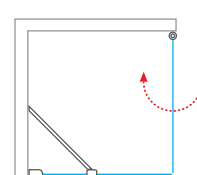
■ TB + TDO1



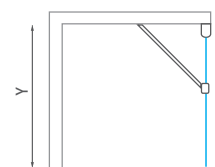
■ TCO1 + TB



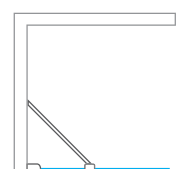
■ TB + TCO1



■ TBP



■ TBL



Tower Line

you can rely on

proven lifting system
of the door opening



TCO1 + TCO1

square or rectangular shower enclosure
with a double-door opening

- choose from a large number of door variants or combine a door with a TB wall
- standard height 2 000 mm
- quality lifting mechanism for convenient opening inside and outside



6 mm ESG Tempered glass
Transparent 02 / Intimglass 20



Profile colour
Brillant 00 / Silver (Elox) 01

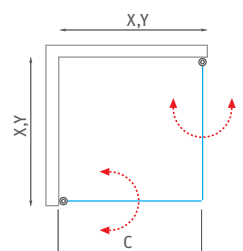


TCO1 (hinged shower door)

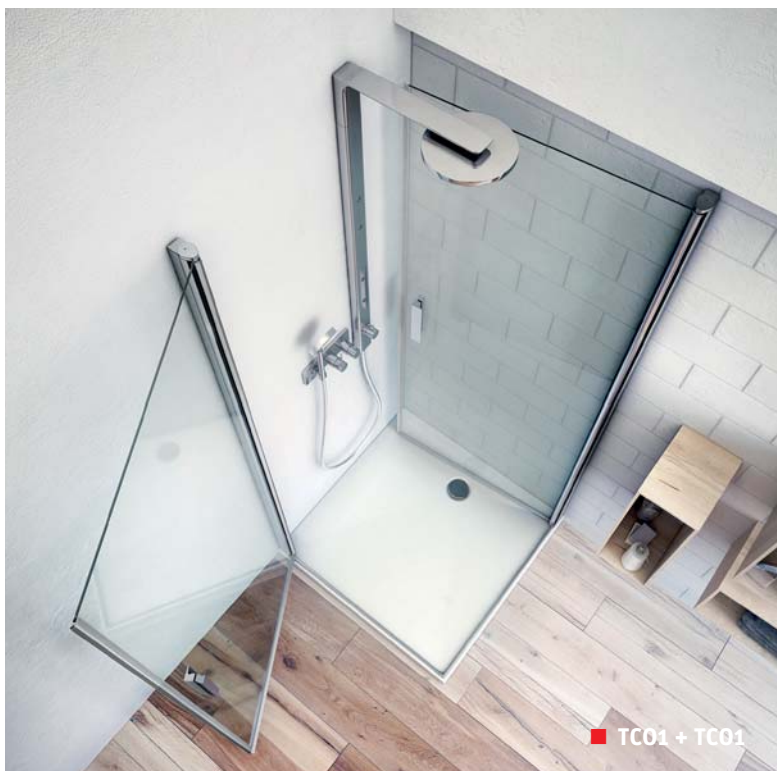
type	ordering No.	installation width (y)	height (h)	door width (c)	profile	glass	delivery method
TCO1/800	727-8000000-00-02	775-795	2012*	710	brillant	transparent	S
TCO1/800	727-8000000-00-20	775-795	2012*	710	brillant	intimglass	0
TCO1/800	727-8000000-01-02	775-795	2012*	710	silver	transparent	0
TCO1/800	727-8000000-01-20	775-795	2012*	710	silver	intimglass	0
TCO1/900	727-9000000-00-02	875-895	2012*	810	brillant	transparent	S
TCO1/900	727-9000000-00-20	875-895	2012*	810	brillant	intimglass	0
TCO1/900	727-9000000-01-02	875-895	2012*	810	silver	transparent	S
TCO1/900	727-9000000-01-20	875-895	2012*	810	silver	intimglass	0
TCO1/1000	727-1000000-00-02	975-995	2012*	910	brillant	transparent	S
TCO1/1000	727-1000000-00-20	975-995	2012*	910	brillant	intimglass	0
TCO1/1000	727-1000000-01-02	975-995	2012*	910	silver	transparent	S
TCO1/1000	727-1000000-01-20	975-995	2012*	910	silver	intimglass	0
TCO1/1100	727-1100000-00-02	1075-1095	2012*	1010	brillant	transparent	0
TCO1/1100	727-1100000-00-20	1075-1095	2012*	1010	brillant	intimglass	0
TCO1/1100	727-1100000-01-02	1075-1095	2012*	1010	silver	transparent	0
TCO1/1100	727-1100000-01-20	1075-1095	2012*	1010	silver	intimglass	0
TCO1/1200	727-1200000-00-02	1175-1195	2012*	1110	brillant	transparent	0
TCO1/1200	727-1200000-00-20	1175-1195	2012*	1110	brillant	intimglass	0
TCO1/1200	727-1200000-01-02	1175-1195	2012*	1110	silver	transparent	0
TCO1/1200	727-1200000-01-20	1175-1195	2012*	1110	silver	intimglass	0

h* - height including supporting elements

TCO1 + TCO1



easy maintenance thanks
to the minimum of profiles



■ Lifting profile with high quality lifting mechanism



■ Handle made with precision and attention to detail

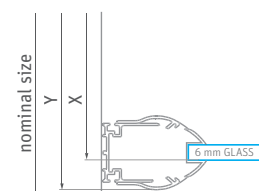
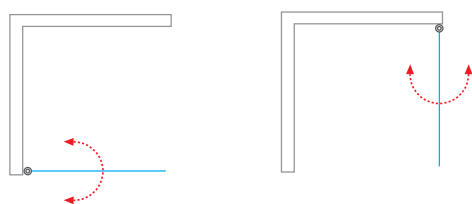
TC01 (atypical customized solution)

type	width (y)	height (h)	profile	glass	delivery method
TC01	up to 1200 mm	up to 2000 mm	silver / brillant	transparent	Z
TC01	up to 1200 mm	up to 2000 mm	silver / brillant	intimglass	Z
TC01	up to 1200 mm	up to 2000 mm	silver / brillant	chinchilla	Z
TC01	up to 1200 mm	up to 2000 mm	silver / brillant	rauch	Z
TC01	up to 1200 mm	up to 2000 mm	silver / brillant	satinato	Z



■ Lifting profile with threshold strip and bottom seal

■ **TC01** - universal LEFT and RIGHT solution



Nominal sizes of shower enclosures are designed for **INSTALLATION ON THE TRAY** and they are always assembled with indentation from the edge of the tray. With **INSTALLATION ON THE TILES** there is a risk, that the size of shower enclosure will be smaller than measured width of the tiles. It is necessary to follow the size charts on "TECHNICAL SPECIFICATION" pages at the end of our catalogue (p. 241–260).

Tower Line

you can rely on

easy maintenance thanks
to the minimum of profiles



TBD

universal in-line side wall for TDO1 or TCO1 door
for niche installation

- variable solution for easy creation of niche shower door
- create a width of shower door from 955 mm up to 1 905 mm



6 mm ESG Tempered glass
Transparent 02



Profile colour
Brillant 00 / Silver (Elox) 01

TBD (universal in-line side wall for TDO1 or TCO1)

type	ordering No.	installation width (y)	height (h)	profile	glass	delivery method
TBD/240	744-0180000-00-02	212–237	2008*	brillant	transparent	0
TBD/440	744-0380000-00-02	412–437	2008*	brillant	transparent	0
TBD/640	744-0580000-00-02	612–637	2008*	brillant	transparent	0
TBD/740	744-0680000-00-02	712–737	2008*	brillant	transparent	0

h* - height including supporting elements



■ The flexible support bar ensures safe stability

TBD (atypical customized solution)

type	width (y)	height (h)	profile	glass	delivery method
TBD	up to 1000 mm	up to 2000 mm	brillant	transparent	Z
TBD	up to 1000 mm	up to 2000 mm	brillant	intimglass*	Z
TBD	up to 1000 mm	up to 2000 mm	brillant	chinchilla	Z
TBD	up to 1000 mm	up to 2000 mm	brillant	rauch	Z
TBD	up to 1000 mm	up to 2000 mm	brillant	satinato	Z

* in the INTIMGLASS version it is necessary to distinguish between LEFT and RIGHT solutions



Nominal sizes of shower enclosures are designed for INSTALLATION ON THE TRAY and they are always assembled with indentation from the edge of the tray. With INSTALLATION ON THE TILES there is a risk, that the size of shower enclosure will be smaller than measured width of the tiles. It is necessary to follow the size charts on "TECHNICAL SPECIFICATION" pages at the end of our catalogue (p. 241–260).



Choose the dimension you need! By using this universal in-line side wall you can create truly perfect door for niche from the standard doors TDO1 or TCO1.

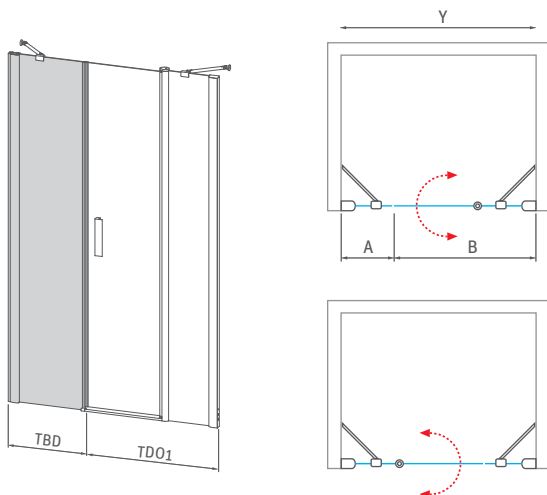
■ High quality lifting mechanism for easy opening



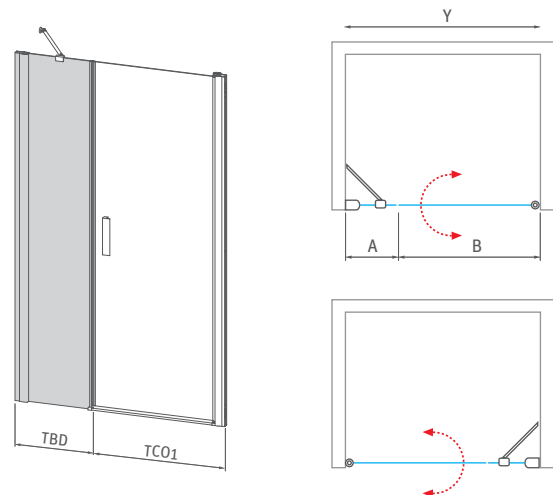
Y (min-max)		TDO1/800	TDO1/900	TDO1/1000	TDO1/1100	TDO1/1200
		B	B	B	B	B
		743-768	843-868	943-968	1043-1068	1143-1168
TBD/240	A	212-237	955-1005	1055-1105	1155-1205	1255-1305
TBD/440	A	412-437	1155-1205	1255-1305	1355-1405	1455-1505
TBD/640	A	612-637	1355-1405	1455-1505	1555-1605	1655-1705
TBD/740	A	712-737	1455-1505	1555-1605	1655-1705	1755-1805

Y (min-max)		TCO1/800	TCO1/900	TCO1/1000	TCO1/1100	TCO1/1200
		B	B	B	B	B
		756-771	856-871	956-971	1056-1071	1156-1171
TBD/240	A	212-237	968-1008	1068-1108	1168-1208	1268-1308
TBD/440	A	412-437	1168-1208	1268-1308	1368-1408	1468-1508
TBD/640	A	612-637	1368-1408	1468-1508	1568-1608	1668-1708
TBD/740	A	712-737	1468-1508	1568-1608	1668-1708	1768-1808

■ TBD - universal LEFT and RIGHT solution



■ TBD - universal LEFT and RIGHT solution



Tower Line
you can rely on

proven lifting system
of the door opening

TZOL1 + TZOP1

square or rectangular shower enclosure
with folding shower door and pivot system

6 mm ESG Tempered glass
Transparent 02



Profile colour
Brillant 00



■ TZOL1 + TZOP1

easy maintenance thanks to the minimum of profiles

- easy entry through fully openable door, with opening inside and outside
- possibility to fold the door completely to the wall
- quality sealing components and easy maintenance



■ Embedded door hinges on the inside for easy cleaning



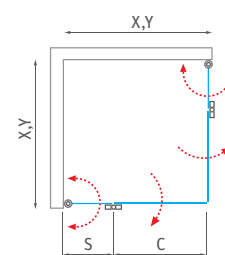
■ The square combination **TZOL1 + TZOP1** is nice, but you can assemble any combination of sizes

TZOP1 / TZOL1 (folding shower door with pivot system)

type	ordering No.	installation width (y)	height (h)	door width (c)	side part width (s)	profile	glass	delivery method
TZOP1/800	737-800000P-00-02	775-795	2012*	470	292-312	brillant	transparent	0
TZOP1/900	737-900000P-00-02	875-895	2012*	470	392-412	brillant	transparent	0
TZOP1/1000	737-100000P-00-02	975-995	2012*	570	392-412	brillant	transparent	0
TZOP1/1100	737-110000P-00-02	1075-1095	2012*	570	492-512	brillant	transparent	0
TZOP1/1200	737-120000P-00-02	1175-1195	2012*	670	492-512	brillant	transparent	0
TZOL1/800	737-800000L-00-02	775-795	2012*	470	292-312	brillant	transparent	0
TZOL1/900	737-900000L-00-02	875-895	2012*	470	392-412	brillant	transparent	0
TZOL1/1000	737-100000L-00-02	975-995	2012*	570	392-412	brillant	transparent	0
TZOL1/1100	737-110000L-00-02	1075-1095	2012*	570	492-512	brillant	transparent	0
TZOL1/1200	737-120000L-00-02	1175-1195	2012*	670	492-512	brillant	transparent	0

h* - height including supporting elements

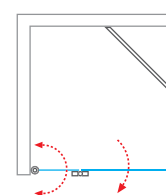
■ TZOP1 + TZOL1



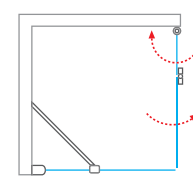
TZOP1 / TZOL1 (atypical customized solution)

type	width (y)	height (h)	profile	glass	delivery method
TZOP1 / TZOL1	up to 1200 mm	up to 2000 mm	brillant	transparent	Z
TZOP1 / TZOL1	up to 1200 mm	up to 2000 mm	brillant	intimglass	Z
TZOP1 / TZOL1	up to 1200 mm	up to 2000 mm	brillant	rauch	Z
TZOP1 / TZOL1	up to 1200 mm	up to 2000 mm	brillant	satinato	Z

■ TZOL1 + TB



■ TB + TZOP1



Nominal sizes of shower enclosures are designed for **INSTALLATION ON THE TRAY** and they are always assembled with indentation from the edge of the tray. With **INSTALLATION ON THE TILES** there is a risk, that the size of shower enclosure will be smaller than measured width of the tiles. It is necessary to follow the size charts on "TECHNICAL SPECIFICATION" pages at the end of our catalogue (p. 241-260).

Tower Line

you can rely on

easy maintenance thanks
to the minimum of profiles



■ TZNL1

TZNL1 / TZNP1

shower door for niche installation
with folding parts and pivot system

- possibility to fold the door completely to the wall
- quality sealing components and easy maintenance
- RothETC glass surface treatment for easy maintenance



6 mm ESG Tempered glass
Transparent O2



Profile colour
Brillant OO



TZNL1 / TZNP1 (folding shower door for a niche)

type	ordering No.	installation width (y)	height (h)	door width (c)	fixed part width (s)	profile	glass	delivery method
TZNL1/800	739-800000L-00-02	775-810	2012*	470	267-292	brillant	transparent	0
TZNL1/900	739-900000L-00-02	875-910	2012*	470	367-392	brillant	transparent	0
TZNL1/1000	739-100000L-00-02	975-1010	2012*	570	367-392	brillant	transparent	0
TZNL1/1100	739-110000L-00-02	1075-1110	2012*	570	467-492	brillant	transparent	0
TZNL1/1200	739-120000L-00-02	1175-1210	2012*	670	467-492	brillant	transparent	0
TZNP1/800	739-800000P-00-02	775-810	2012*	470	267-292	brillant	transparent	0
TZNP1/900	739-900000P-00-02	875-910	2012*	470	367-392	brillant	transparent	0
TZNP1/1000	739-100000P-00-02	975-1010	2012*	570	367-392	brillant	transparent	0
TZNP1/1100	739-110000P-00-02	1075-1110	2012*	570	467-492	brillant	transparent	0
TZNP1/1200	739-120000P-00-02	1175-1210	2012*	670	467-492	brillant	transparent	0

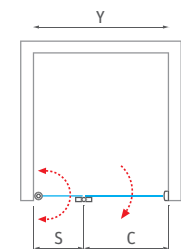
h* - height including supporting elements

TZNL1 / TZNP1 (atypical customized solution)

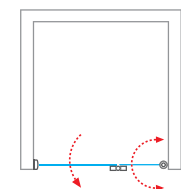
type	width (y)	height (h)	profile	glass	delivery method
TZNL1 / TZNP1	up to 1200 mm	up to 2000 mm	brillant	transparent	Z
TZNL1 / TZNP1	up to 1200 mm	up to 2000 mm	brillant	chinchilla	Z
TZNL1 / TZNP1	up to 1200 mm	up to 2000 mm	brillant	rauch	Z
TZNL1 / TZNP1	up to 1200 mm	up to 2000 mm	brillant	satinato	Z

! Nominal sizes of shower enclosures are designed for **INSTALLATION ON THE TRAY** and they are always assembled with indentation from the edge of the tray. With **INSTALLATION ON THE TILES** there is a risk, that the size of shower enclosure will be smaller than measured width of the tiles. It is necessary to follow the size charts on "TECHNICAL SPECIFICATION" pages at the end of our catalogue (p. 241-260).

■ TZNL1



■ TZNP1



proven lifting system of the door opening



TDN1

single opening shower door with fixed element
for niche installation

- easy entry thanks to both-way opening inside and outside
- RothETC glass surface treatment for easy maintenance
- easy installation and reliable functionality



6 mm ESG Tempered glass
Transparent O2



Profile colour
Brillant OO / Silver (Elox) O1

TDN1 (single shower door for a niche)

type	ordering No.	installation width (y)	height (h)	door width (c)	side part width (s)	profile	glass	delivery method
TDN1/800	726-8000000-00-02	775-810	2019*	425	295-320	brillant	transparent	0
TDN1/800	726-8000000-01-02	775-810	2019*	425	295-320	silver	transparent	0
TDN1/900	726-9000000-00-02	875-910	2019*	525	295-320	brillant	transparent	S
TDN1/900	726-9000000-01-02	875-910	2019*	525	295-320	silver	transparent	S
TDN1/1000	726-1000000-00-02	975-1010	2019*	625	295-320	brillant	transparent	S
TDN1/1000	726-1000000-01-02	975-1010	2019*	625	295-320	silver	transparent	S
TDN1/1100	726-1100000-00-02	1075-1110	2019*	625	395-420	brillant	transparent	0
TDN1/1100	726-1100000-01-02	1075-1110	2019*	625	395-420	silver	transparent	0
TDN1/1200	726-1200000-00-02	1175-1210	2019*	725	395-420	brillant	transparent	0
TDN1/1200	726-1200000-01-02	1175-1210	2019*	725	395-420	silver	transparent	0

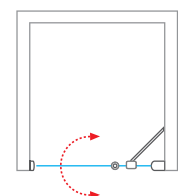
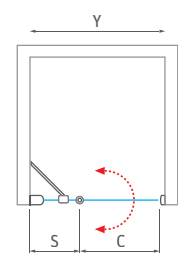
h* - height including supporting elements

TDN1 (atypical customized solution)

type	width (y)	height (h)	profile	glass	delivery method
TDN1	up to 1200 mm	up to 2000 mm	silver / brillant	transparent	Z
TDN1	up to 1200 mm	up to 2000 mm	silver / brillant	intimglass*	Z
TDN1	up to 1200 mm	up to 2000 mm	silver / brillant	chinchilla*	Z
TDN1	up to 1200 mm	up to 2000 mm	silver / brillant	rauch	Z
TDN1	up to 1200 mm	up to 2000 mm	silver / brillant	satinato*	Z

* in the INTIMGLASS, CHINCHILLA, and SATINATO versions it is necessary to distinguish between LEFT and RIGHT solutions

■ TDN1 - universal LEFT and RIGHT solution



Nominal sizes of shower enclosures are designed for INSTALLATION ON THE TRAY and they are always assembled with indentation from the edge of the tray. With INSTALLATION ON THE TILES there is a risk, that the size of shower enclosure will be smaller than measured width of the tiles. It is necessary to follow the size charts on "TECHNICAL SPECIFICATION" pages at the end of our catalogue (p. 241-260).

Tower Line

you can rely on

proven lifting system
of the door opening

TCN1

single opening shower door for niche installation
or for combination with side panel TCB

6 mm ESG Tempered glass
Transparent 02 / Intinglass 20



Profile colour
Brillant 00 / Silver (Elox) 01



easy maintenance thanks to the minimum of profiles

- standard height 2000 mm and large selection of offered variants
- quality lifting mechanism for convenient opening inside and outside
- RothETC glass surface treatment for easy maintenance



■ The upper part of the TCN1 lifting and wall profile assembly

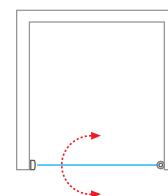
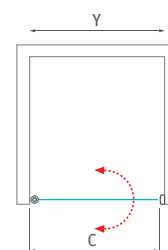


TCN1 (single shower door for a niche)

type	ordering No.	installation width (y)	height (h)	door width (c)	profile	glass	delivery method
TCN1/800	728-8000000-00-02	775-810	2012*	680	brillant	transparent	S
TCN1/800	728-8000000-00-20	775-810	2012*	680	brillant	intimglass	O
TCN1/800	728-8000000-01-02	775-810	2012*	680	silver	transparent	O
TCN1/800	728-8000000-01-20	775-810	2012*	680	silver	intimglass	O
TCN1/900	728-9000000-00-02	875-910	2012*	780	brillant	transparent	S
TCN1/900	728-9000000-00-20	875-910	2012*	780	brillant	intimglass	O
TCN1/900	728-9000000-01-02	875-910	2012*	780	silver	transparent	S
TCN1/900	728-9000000-01-20	875-910	2012*	780	silver	intimglass	O
TCN1/1000	728-1000000-00-02	975-1010	2012*	880	brillant	transparent	S
TCN1/1000	728-1000000-00-20	975-1010	2012*	880	brillant	intimglass	O
TCN1/1000	728-1000000-01-02	975-1010	2012*	880	silver	transparent	S
TCN1/1000	728-1000000-01-20	975-1010	2012*	880	silver	intimglass	O
TCN1/1100	728-1100000-00-02	1075-1110	2012*	980	brillant	transparent	O
TCN1/1100	728-1100000-00-20	1075-1110	2012*	980	brillant	intimglass	O
TCN1/1100	728-1100000-01-02	1075-1110	2012*	980	silver	transparent	O
TCN1/1100	728-1100000-01-20	1075-1110	2012*	980	silver	intimglass	O
TCN1/1200	728-1200000-00-02	1175-1210	2012*	1080	brillant	transparent	O
TCN1/1200	728-1200000-00-20	1175-1210	2012*	1080	brillant	intimglass	O
TCN1/1200	728-1200000-01-02	1175-1210	2012*	1080	silver	transparent	O
TCN1/1200	728-1200000-01-20	1175-1210	2012*	1080	silver	intimglass	O

h* - height including supporting elements

■ TCN1 - universal LEFT and RIGHT solution



TCN1 (atypical customized solution)

type	width (y)	height (h)	profile	glass	delivery method
TCN1	up to 1200 mm	up to 2000 mm	silver / brillant	transparent	Z
TCN1	up to 1200 mm	up to 2000 mm	silver / brillant	intimglass	Z
TCN1	up to 1200 mm	up to 2000 mm	silver / brillant	chinchilla	Z
TCN1	up to 1200 mm	up to 2000 mm	silver / brillant	rauch	Z
TCN1	up to 1200 mm	up to 2000 mm	silver / brillant	satinato	Z



Nominal sizes of shower enclosures are designed for INSTALLATION ON THE TRAY and they are always assembled with indentation from the edge of the tray. With INSTALLATION ON THE TILES there is a risk, that the size of shower enclosure will be smaller than measured width of the tiles. It is necessary to follow the size charts on "TECHNICAL SPECIFICATION" pages at the end of our catalogue (p. 241-260).

Tower Line

you can rely on

proven lifting system
of the door opening



TCN2

double opening shower door for niche installation
or for combination with side panel TCB

- generous entrance with double-sided opening inside and outside
- quality sealing components and easy maintenance
- RothETC glass surface treatment for easy maintenance



6 mm ESG Tempered glass
Transparent 02 / Intimglass 20



Profile colour
Brillant 00 / Silver (Elox) 01

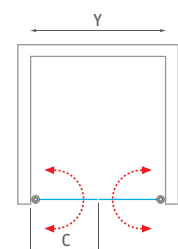


TCN2 (double pivot door for a niche)

type	ordering No.	installation width (y)	height (h)	door width (c)	profile	glass	delivery method
TCN2/800	731-8000000-00-02	785-820	2012*	320	brillant	transparent	S
TCN2/800	731-8000000-00-20	785-820	2012*	320	brillant	intimglass	0
TCN2/800	731-8000000-01-02	785-820	2012*	320	silver	transparent	0
TCN2/800	731-8000000-01-20	785-820	2012*	320	silver	intimglass	0
TCN2/900	731-9000000-00-02	885-920	2012*	370	brillant	transparent	S
TCN2/900	731-9000000-00-20	885-920	2012*	370	brillant	intimglass	0
TCN2/900	731-9000000-01-02	885-920	2012*	370	silver	transparent	S
TCN2/900	731-9000000-01-20	885-920	2012*	370	silver	intimglass	0
TCN2/1000	731-1000000-00-02	985-1020	2012*	420	brillant	transparent	S
TCN2/1000	731-1000000-00-20	985-1020	2012*	420	brillant	intimglass	0
TCN2/1000	731-1000000-01-02	985-1020	2012*	420	silver	transparent	S
TCN2/1000	731-1000000-01-20	985-1020	2012*	420	silver	intimglass	0
TCN2/1100	731-1100000-00-02	1085-1120	2012*	470	brillant	transparent	0
TCN2/1100	731-1100000-00-20	1085-1120	2012*	470	brillant	intimglass	0
TCN2/1100	731-1100000-01-02	1085-1120	2012*	470	silver	transparent	0
TCN2/1100	731-1100000-01-20	1085-1120	2012*	470	silver	intimglass	0
TCN2/1200	731-1200000-00-02	1185-1220	2012*	520	brillant	transparent	S
TCN2/1200	731-1200000-00-20	1185-1220	2012*	520	brillant	intimglass	0
TCN2/1200	731-1200000-01-02	1185-1220	2012*	520	silver	transparent	0
TCN2/1200	731-1200000-01-20	1185-1220	2012*	520	silver	intimglass	0

h* - height including supporting elements

■ TCN2



Nominal sizes of shower enclosures are designed for INSTALLATION ON THE TRAY and they are always assembled with indentation from the edge of the tray. With INSTALLATION ON THE TILES there is a risk, that the size of shower enclosure will be smaller than measured width of the tiles. It is necessary to follow the size charts on "TECHNICAL SPECIFICATION" pages at the end of our catalogue (p. 241-260).

easy maintenance thanks
to the minimum of profiles



TCB

side panel for combination with opening doors
TCN1 or TCN2

- RothETC glass surface treatment for easy maintenance
- universal left and right solution



6 mm ESG Tempered glass
Transparent O2



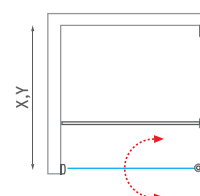
Profile colour
Brillant 00 / Silver (Elox) 01

TCB (side panel to TCN2 / TCN1)

type	ordering No.	installation width (y)	height (h)	door width (c)	profile	glass	delivery method
TCB/800	741-8000000-00-02	775-800	2025*	—	brillant	transparent	0
TCB/800	741-8000000-01-02	775-800	2025*	—	silver	transparent	0
TCB/900	741-9000000-00-02	875-900	2025*	—	brillant	transparent	S
TCB/900	741-9000000-01-02	875-900	2025*	—	silver	transparent	0
TCB/1000	741-1000000-00-02	975-1000	2025*	—	brillant	transparent	0
TCB/1000	741-1000000-01-02	975-1000	2025*	—	silver	transparent	0

h* - height including supporting elements

TCN1 + TCB

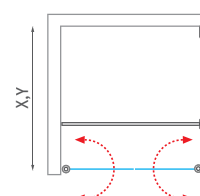


TCB (atypical customized solution)

type	width (y)	height (h)	profile	glass	delivery method
TCB	up to 1200 mm	up to 2000 mm	silver / brillant	transparent	Z
TCB	up to 1200 mm	up to 2000 mm	silver / brillant	intimglass*	Z
TCB	up to 1200 mm	up to 2000 mm	silver / brillant	chinchilla*	Z
TCB	up to 1200 mm	up to 2000 mm	silver / brillant	rauch	Z
TCB	up to 1200 mm	up to 2000 mm	silver / brillant	satinato*	Z

* in the INTIMGLASS, CHINCHILLA, and SATINATO versions it is necessary to distinguish between LEFT and RIGHT solutions

TCN2 + TCB



TCN2 (atypical customized solution)

type	width (y)	height (h)	profile	glass	delivery method
TCN2	up to 1800 mm	up to 2000 mm	silver / brillant	transparent	Z
TCN2	up to 1800 mm	up to 2000 mm	silver / brillant	intimglass	Z
TCN2	up to 1800 mm	up to 2000 mm	silver / brillant	chinchilla	Z
TCN2	up to 1800 mm	up to 2000 mm	silver / brillant	rauch	Z
TCN2	up to 1800 mm	up to 2000 mm	silver / brillant	satinato	Z



Nominal sizes of shower enclosures are designed for INSTALLATION ON THE TRAY and they are always assembled with indentation from the edge of the tray. With INSTALLATION ON THE TILES there is a risk, that the size of shower enclosure will be smaller than measured width of the tiles. It is necessary to follow the size charts on "TECHNICAL SPECIFICATION" pages at the end of our catalogue (p. 241-260).

Tower Line
you can rely on

proven lifting system
of the door opening

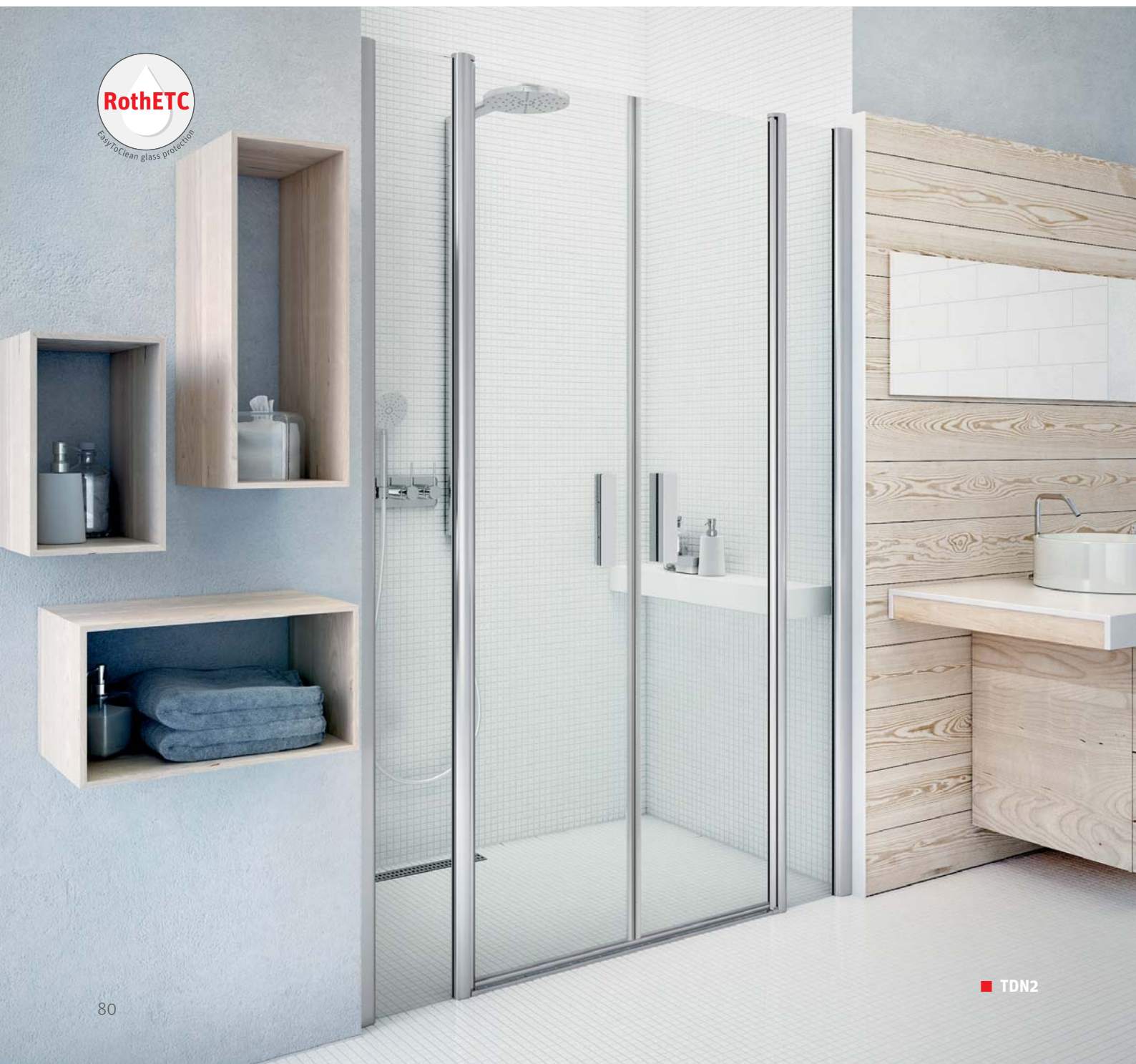
TDN2

double shower door with fixed part for niche installation

6 mm ESG Tempered glass
Transparent 02



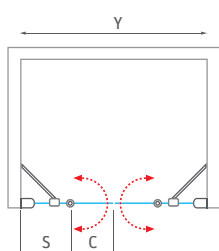
Profile colour
Brillant 00 / Silver (Elox) 01



easy maintenance thanks to the minimum of profiles

- RothETC glass surface treatment for easy maintenance
- quality lifting mechanism for convenient opening inside and outside

■ TDN2



■ Door profile with quality lifting mechanism

TDN2 (double pivot door for a niche)

type	ordering No.	installation width (y)	height (h)	door width (c)	side part width (s)	profile	glass	delivery method
TDN2/1100	721-1100000-00-02	1060–1110	2012*	330	195–220	brillant	transparent	0
TDN2/1100	721-1100000-01-02	1060–1110	2012*	330	195–220	silver	transparent	0
TDN2/1200	721-1200000-00-02	1160–1210	2012*	330	245–270	brillant	transparent	0
TDN2/1200	721-1200000-01-02	1160–1210	2012*	330	245–270	silver	transparent	0
TDN2/1300	721-1300000-00-02	1260–1310	2012*	430	195–220	brillant	transparent	0
TDN2/1300	721-1300000-01-02	1260–1310	2012*	430	195–220	silver	transparent	0
TDN2/1400	721-1400000-00-02	1360–1410	2012*	430	245–270	brillant	transparent	0
TDN2/1400	721-1400000-01-02	1360–1410	2012*	430	245–270	silver	transparent	0
TDN2/1500	721-1500000-00-02	1460–1510	2012*	530	195–220	brillant	transparent	0
TDN2/1500	721-1500000-01-02	1460–1510	2012*	530	195–220	silver	transparent	0

h* - height including supporting elements

TDN2 (atypical customized solution)

type	width (y)	height (h)	profile	glass	delivery method
TDN2	up to 1500 mm	up to 2000 mm	silver / brillant	transparent	Z
TDN2	up to 1500 mm	up to 2000 mm	silver / brillant	intimglass	Z
TDN2	up to 1500 mm	up to 2000 mm	silver / brillant	chinchilla	Z
TDN2	up to 1500 mm	up to 2000 mm	silver / brillant	rauch	Z
TDN2	up to 1500 mm	up to 2000 mm	silver / brillant	satinato	Z
TDN2	from 1501 mm up to 2000 mm	up to 2000 mm	silver / brillant	transparent	Z
TDN2	from 1501 mm up to 2000 mm	up to 2000 mm	silver / brillant	intimglass	Z
TDN2	from 1501 mm up to 2000 mm	up to 2000 mm	silver / brillant	chinchilla	Z
TDN2	from 1501 mm up to 2000 mm	up to 2000 mm	silver / brillant	rauch	Z
TDN2	from 1501 mm up to 2000 mm	up to 2000 mm	silver / brillant	satinato	Z



Nominal sizes of shower enclosures are designed for INSTALLATION ON THE TRAY and they are always assembled with indentation from the edge of the tray. With INSTALLATION ON THE TILES there is a risk, that the size of shower enclosure will be smaller than measured width of the tiles. It is necessary to follow the size charts on "TECHNICAL SPECIFICATION" pages at the end of our catalogue (p. 241–260).

Tower Line

you can rely on

inspiration for unusual shower space solutions



■ TBS + TCW1

TCW1 + TBS

single fixed wall with one pivoting element and selfstanding side panel

- short pivoting door functions as a smart solution against spray of water
- single fixed wall is stabilised with telescopic support bar
- selfstanding side panel TBS offers a wide range of possibilities



6 mm ESG Tempered glass
Transparent 02



Profile colour
Brillant 00



TCW1 (single fixed panel with one pivoting element)

type	ordering No.	installation width (y)	height (h)	pivoting element width (c)	profile	glass	delivery method
TCW1/800	745-8000000-00-02	765-790	2025*	383	brillant	transparent	0
TCW1/900	745-9000000-00-02	865-890	2025*	383	brillant	transparent	0
TCW1/1000	745-1000000-00-02	965-990	2025*	383	brillant	transparent	0
TCW1/1200	745-1200000-00-02	1165-1190	2025*	383	brillant	transparent	0
TCW1/1400	745-1400000-00-02	1365-1390	2025*	383	brillant	transparent	0

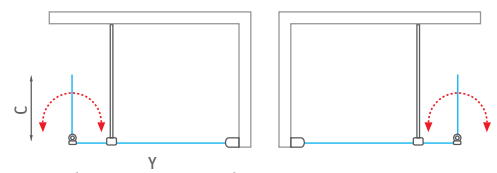
h* - height including supporting elements

TCW1 (atypical customized solution)

type	width (y)	height (h)	profile	glass	delivery method
TCW1	up to 1600 mm	up to 2000 mm	brillant	transparent	Z
TCW1	up to 1600 mm	up to 2000 mm	brillant	intimglass*	Z
TCW1	up to 1600 mm	up to 2000 mm	brillant	rauch	Z
TCW1	up to 1600 mm	up to 2000 mm	brillant	satinato	Z

* in the INTIMGLASS version it is necessary to distinguish between LEFT and RIGHT solutions

■ TCW1 - universal LEFT and RIGHT solution



Nominal sizes of shower enclosures are designed for INSTALLATION ON THE TRAY and they are always assembled with indentation from the edge of the tray. With INSTALLATION ON THE TILES there is a risk, that the size of shower enclosure will be smaller than measured width of the tiles. It is necessary to follow the size charts on "TECHNICAL SPECIFICATION" pages at the end of our catalogue (p. 241-260).

easy maintenance thanks
to the minimum of profiles



■ Separately used product **TCW1**



■ Telescopic support bar length up to 1 500 mm

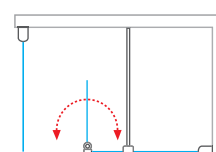
TBS (selfstanding side wall)

type	ordering No.	installation width (y)	height (h)	profile	glass	delivery method
TBS/800	746-8000000-00-02	760–785	2008*	brillant	transparent	0
TBS/900	746-9000000-00-02	860–885	2008*	brillant	transparent	0
TBS/1000	746-1000000-00-02	960–985	2008*	brillant	transparent	0

h* - height including supporting elements

It is suitable to use the side wall TBS as an additional product to TCW1. This gives a variable solution to your shower enclosure regardless of its installation size. TBS you can place at any distance from the corner.

■ TCW1 + TBS

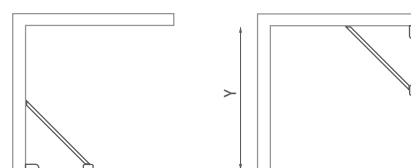


TBS (atypical customized solution)

type	width (y)	height (h)	profile	glass	delivery method
TBS	up to 1200 mm	up to 2000 mm	brillant	transparent	Z
TBS	up to 1200 mm	up to 2000 mm	brillant	intimglass*	Z
TBS	up to 1200 mm	up to 2000 mm	brillant	rauch	Z
TBS	up to 1200 mm	up to 2000 mm	brillant	satinato	Z

* in the INTIMGLASS version it is necessary to distinguish between LEFT and RIGHT solutions

■ TBS - universal LEFT and RIGHT solution



Nominal sizes of shower enclosures are designed for **INSTALLATION ON THE TRAY** and they are always assembled with indentation from the edge of the tray. With **INSTALLATION ON THE TILES** there is a risk, that the size of shower enclosure will be smaller than measured width of the tiles. It is necessary to follow the size charts on "TECHNICAL SPECIFICATION" pages at the end of our catalogue (p. 241–260).

Ambient Line
purity of shapes



QUADRANT



CORNER



NICHE



„U“ CABIN

Purity of shapes and revolutionary design combined with an exceptional sliding mechanism

Ambient Line

By the use of high quality components made out of chrome-plated brass we achieved an unbeatably quiet operation. Standard height of 2 metres with a possibility of any door size combination will truly alleviate your worries about planning of your place for relaxation and wellness.

■ universal sliding door for a niche or in combination with a side panel

■ standard door dimensions from 1 200 to 1 500 mm

■ magnetic seal closure ensures improved tightness

Ambient Line

purity of shapes

unbeatably quiet
rollers operation

AMR2N

quadrant shower enclosure
with double sliding doors

- high quality components made out of chrome-plated brass have unbeatably quiet operation
- modern design with visible rollers
- RothETC glass surface treatment for easy maintenance



8 mm ESG Tempered glass
Transparent O2



Profile colour
Brillant OO



■ Magnetic seal closure with bottom door seal for perfect water-tightness



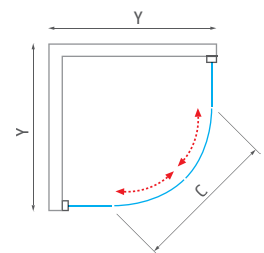
■ Quality stainless steel rollers for quiet operation

AMR2N (quadrant shower enclosure with two sliding doors)

type	ordering No.	installation width (y)	height (h)	entrance width (c)	profile	glass	delivery method
AMR2N/900	624-9000000-00-02	885-895	2000	510	brillant	transparent	S
AMR2N/1000	624-1000000-00-02	985-995	2000	510	brillant	transparent	O

R - standard radius R550

■ AMR2N



Nominal sizes of shower enclosures are designed for INSTALLATION ON THE TRAY and they are always assembled with indentation from the edge of the tray. With INSTALLATION ON THE TILES there is a risk, that the size of shower enclosure will be smaller than measured width of the tiles. It is necessary to follow the size charts on "TECHNICAL SPECIFICATION" pages at the end of our catalogue (p. 241-260).



The purity of shapes and distinctive design of this **Ambient Line** series in combination with the exceptional sliding mechanism brings real comfort to your bathroom.



■ AMR2N

Ambient Line

purity of shapes

unbeatably quiet
rollers operation



AMD2

sliding shower door for niche installation
or in combination with a side panel AMB

- standard door dimensions from 1 200 to 1 500 mm
- modern design with visible rollers
- the possibility to order any glass with „mirror effect“ finishing option - see next double page



8 mm ESG Tempered glass
Transparent 02



Profile colour
Brillant 00

AMD2 (sliding shower door)

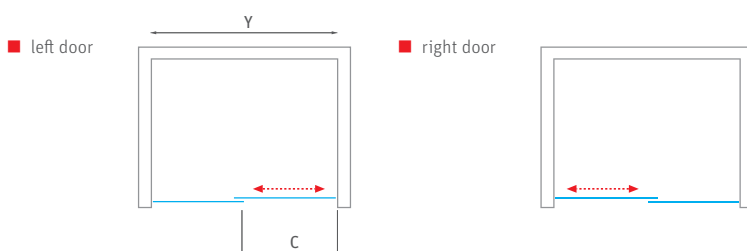
type	ordering No.	installation width (y)	height (h)	entrance width (c)	profile	glass	delivery method
AMD2/1200	620-1200000-00-02	1100-1200	2000	410-510	brillant	transparent	S
AMD2/1300	620-1300000-00-02	1200-1300	2000	460-560	brillant	transparent	S
AMD2/1400	620-1400000-00-02	1300-1400	2000	510-610	brillant	transparent	S
AMD2/1500	620-1500000-00-02	1400-1500	2000	560-660	brillant	transparent	S



AMD2 (atypical customized solution)

type	width (y)	height (h)	profile	glass	delivery method
AMD2	up to 1800 mm	up to 2000 mm	brillant	transparent	Z

■ AMD2 - universal LEFT and RIGHT solution



■ Stainless steel ball bearing rollers



Nominal sizes of shower enclosures are designed for INSTALLATION ON THE TRAY and they are always assembled with indentation from the edge of the tray. With INSTALLATION ON THE TILES there is a risk, that the size of shower enclosure will be smaller than measured width of the tiles. It is necessary to follow the size charts on "TECHNICAL SPECIFICATION" pages at the end of our catalogue (p. 241-260).

universal left and right solution



AMB

side panel for combination
with sliding door AMD2

- magnetic seal closure to ensure improved water tightness
- RothETC glass surface treatment for easy maintenance
- the possibility of „mirror effect“ option - see next double page



8 mm ESG Tempered glass
Transparent 02



Profile colour
Brillant 00

AMB (side panel for combination with sliding door AMD2)

type	ordering No.	installation width (y)	height (h)	entrance width (c)	profile	glass	delivery method
AMB/800	621-8000000-00-02	780-790	2000	—	brillant	transparent	S
AMB/900	621-9000000-00-02	880-890	2000	—	brillant	transparent	S

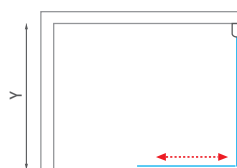


AMB (atypical customized solution)

type	width (y)	height (h)	profile	glass	delivery method
AMB	up to 1200 mm	up to 2000 mm	brillant	transparent	Z



■ AMD2 + AMB



■ AMB + AMD2



■ AMB + AMD2 + AMB



Nominal sizes of shower enclosures are designed for **INSTALLATION ON THE TRAY** and they are always assembled with indentation from the edge of the tray. With **INSTALLATION ON THE TILES** there is a risk, that the size of shower enclosure will be smaller than measured width of the tiles. It is necessary to follow the size charts on "TECHNICAL SPECIFICATION" pages at the end of our catalogue (p. 241-260).

In addition - practical
mirror right on the enclosure

Mirror effect

Do you want to have a large mirror that really shows you from head to toe? Or would you like to optically enlarge the space of your bathroom? You can get both straight as part of your new shower.

When you order the shower enclosure, you can also order the mirror effect. Your selected glass will be coated by special layer allowing you to have a practical mirror in your bathroom.

The bathroom area will look more attractive, bigger and it will get another dimension. The mirror effect can be ordered for all models of WALK IN LINE and for AMBIENT LINE - models AMD2 and AMB.



■ **WALK G** - offers a truly large mirror format

■ **AMD2** with both glass panes in „mirror effect“
finishing in combination with side panel **AMB**



Choose, where the mirror effect will be placed

XXX-XXXXXXXX-XX-XX **941-1400000-00-51**

GLASS TYPE	model	WALK H / 1400
	profile colour	00 - Brillant
	glass type	51 - I. Mirror

■ WALK IN LINE AMBIENT LINE

mirror effect
surcharge for 1 piece of glass selected according to the offer

MIRROR EFFECT		delivery method
MIRROR EFFECT	glass size: 0 - 1500 mm	Z

G

WALK G

mirror effect	I.	Glass type ID
	•	51

H

WALK H

mirror effect	I.	Glass type ID
	•	51

XXX-XXXXXXX-XX-XX **620-130000L-00-54**

MODEL NO.	LEFT / RIGHT	PROFILE COLOUR	GLASS TYPE	model	AMD2 / 1300
				left / right	L - Left
				profile colour	00 - Brillant
				glass type	54 - I. Transparent + II. Mirror

AMD2

AMD2 - left

	I.	II.	Glass type ID	left/right ID
mirror effect	•	•	52	L
	•	•	53	L
	•	•	54	L

AMD2

AMD2 - right

	I.	II.	Glass type ID	left/right ID
mirror effect	•	•	52	P
	•	•	53	P
	•	•	54	P

AMB

AMB - left

mirror effect	I.	Glass type ID	left/right ID
	•	51	L

AMB

AMB - right

mirror effect	I.	Glass type ID	left/right ID
	•	51	P

Exclusive Line
in a modern style

A new generation of our traditional line brings features, which make it unique

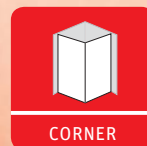
Exclusive Line

Extra height exceeding 2 metres, frameless bottom part, a solid and practical handle - this all determines this line to be successful and meet the requirements of modern lifestyle.

- extra height exceeding 2 metres
- robust pivoting hinge completes the solid design and ensures reliability of the pivot solution
- tilting system of frameless bottom part combines the barrier free solution with cleaning possibilities



QUADRANT



CORNER



NICHE

Exclusive Line
in a modern style

precise design
and reliability

ECR2N

quadrant shower enclosure
with two sliding doors

- extra height exceeding 2 metres
- solid pivoting hinge complements the precise design and ensures the reliability of the pivot solution
- tilting system of the bottom part for easy maintenance



6 mm ESG Tempered glass
Transparent 02



Profile colour
Brillant 00 / Black elox 05



- Solid handle made out of polished stainless steel



- Durable rollers with a diameter of 30 mm



- Tilting system of the bottom part allows easy maintenance

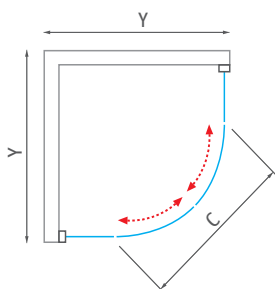


- Protective aluminium profile

ECR2N (quadrant shower enclosure with two sliding doors)

type	ordering No.	installation width (y)	height (h)	entrance size (c)	profile	glass	delivery method
ECR2N/900	561-9000000-00-02	875-900	2050	520	brillant	transparent	S
ECR2N/900	561-9000000-05-02	875-900	2050	520	black elox	transparent	O
ECR2N/1000	561-1000000-00-02	975-1000	2050	520	brillant	transparent	O
ECR2N/1000	561-1000000-05-02	975-1000	2050	520	black elox	transparent	O

R - standard radius R550, h* - height including supporting elements



Nominal sizes of shower enclosures are designed for **INSTALLATION ON THE TRAY** and they are always assembled with indentation from the edge of the tray. With **INSTALLATION ON THE TILES** there is a risk, that the size of shower enclosure will be smaller than measured width of the tiles. It is necessary to follow the size charts on "TECHNICAL SPECIFICATION" pages at the end of our catalogue (p. 241-260).



Extra height exceeding
2 metres, frameless bottom part,
solid and practical handle.



■ ECR2N

Exclusive Line
in a modern style

robust frame
ensures stability

ECS2L + ECS2P

square or rectangular shower enclosure
with two sliding door

- choice of two types of profile
Brillant or Black elox
- extra height over 2 metres
- 5-year extended warranty



6 mm ESG Tempered glass
Transparent 02



Profile colour
Brillant 00 / Black elox 05



ECS2L, ECS2P (sliding shower door - left / right part)

type	ordering No.	installation width (y)	height (h)	entrance size (c)	profile	glass	delivery method
ECS2L - left part							
ECS2L/800	560-800000L-00-02	775-800	2050	420	brillant	transparent	S
ECS2L/800	560-800000L-05-02	775-800	2050	420	black elox	transparent	0
ECS2L/900	560-900000L-00-02	875-900	2050	485	brillant	transparent	S
ECS2L/900	560-900000L-05-02	875-900	2050	485	black elox	transparent	0
ECS2L/1000	560-100000L-00-02	975-1000	2050	550	brillant	transparent	0
ECS2L/1000	560-100000L-05-02	975-1000	2050	550	black elox	transparent	0
ECS2L/1100	560-110000L-00-02	1075-1100	2050	620	brillant	transparent	0
ECS2L/1100	560-110000L-05-02	1075-1100	2050	620	black elox	transparent	0
ECS2L/1200	560-120000L-00-02	1175-1200	2050	690	brillant	transparent	0
ECS2L/1200	560-120000L-05-02	1175-1200	2050	690	black elox	transparent	0
ECS2P - right part							
ECS2P/800	560-800000P-00-02	775-800	2050	420	brillant	transparent	S
ECS2P/800	560-800000P-05-02	775-800	2050	420	black elox	transparent	0
ECS2P/900	560-900000P-00-02	875-900	2050	485	brillant	transparent	S
ECS2P/900	560-900000P-05-02	875-900	2050	485	black elox	transparent	0
ECS2P/1000	560-100000P-00-02	975-1000	2050	550	brillant	transparent	0
ECS2P/1000	560-100000P-05-02	975-1000	2050	550	black elox	transparent	0
ECS2P/1100	560-110000P-00-02	1075-1100	2050	620	brillant	transparent	0
ECS2P/1100	560-110000P-05-02	1075-1100	2050	620	black elox	transparent	0
ECS2P/1200	560-120000P-00-02	1175-1200	2050	690	brillant	transparent	0
ECS2P/1200	560-120000P-05-02	1175-1200	2050	690	black elox	transparent	0



h* - height including supporting elements

black elegance in a new design



■ ECS2L + ECS2P
black elox



■ Tilting door system - for easy maintenance



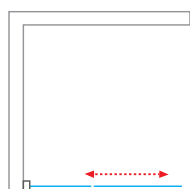
■ Robust aluminium frame in Brillant finishing

ECS2L, ECS2P (atypical customized solution)					
type	width (y)	height (h)	profile	glass	delivery method
ECS2L	to 1200 mm	to 2050 mm	brillant / black elox	transparent	Z
ECS2P	to 1200 mm	to 2050 mm	brillant / black elox	transparent	Z

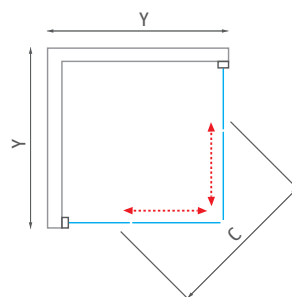
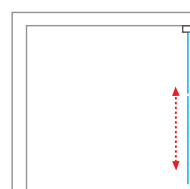


h* - height including supporting elements

■ ECS2L



■ ECS2P



Nominal sizes of shower enclosures are designed for INSTALLATION ON THE TRAY and they are always assembled with indentation from the edge of the tray. With INSTALLATION ON THE TILES there is a risk, that the size of shower enclosure will be smaller than measured width of the tiles. It is necessary to follow the size charts on "TECHNICAL SPECIFICATION" pages at the end of our catalogue (p. 241–260).

Exclusive Line
in a modern style

polished or black
aluminium profile

ECDO1N

single opening shower door for a niche
or in combination with a side panel ECDBN

6 mm ESG Tempered glass
Transparent 02



Profile colour
Brillant 00 / Black elox 05



■ ECDO1N

first class tightness and extra height

- robust pivoting hinge completes the solid design and ensures reliability of the pivot solution
- solid multifunctional handle
- standard height 2 050 mm



■ New design profile in Black elox finishing

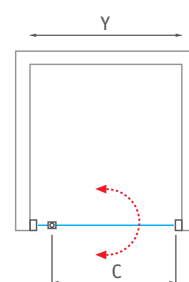
■ Robust handle for easy grip underlining the lightness of the Exclusive Line series

■ Pivoting mechanism ensures both-ways opening in chrome surface finishing

ECDO1 (double shower door for a niche)

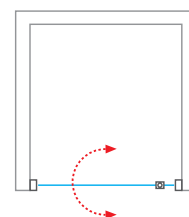
type	ordering No.	installation width (y)	height (h)	entrance size (c)	profile	glass	delivery method
ECDO1N/800	562-8000000-00-02	775-815	2050	525	brillant	transparent	S
ECDO1N/800	562-8000000-05-02	775-815	2050	525	black elox	transparent	O
ECDO1N/900	562-9000000-00-02	875-915	2050	625	brillant	transparent	S
ECDO1N/900	562-9000000-05-02	875-915	2050	625	black elox	transparent	O
ECDO1N/1000	562-1000000-00-02	975-1015	2050	725	brillant	transparent	S
ECDO1N/1000	562-1000000-05-02	975-1015	2050	725	black elox	transparent	O
ECDO1N/1100	562-1100000-00-02	1075-1115	2050	725	brillant	transparent	O
ECDO1N/1100	562-1100000-05-02	1075-1115	2050	725	black elox	transparent	O

■ ECDO1N- universal LEFT and RIGHT solution



ECDO1N (atypical customized solution)

type	width (y)	height (h)	profile	glass	delivery method
ECDO1N	up to 1100 mm	up to 2050 mm	brillant	transparent	Z
ECDO1N	up to 1100 mm	up to 2050 mm	black elox	transparent	Z



Nominal sizes of shower enclosures are designed for INSTALLATION ON THE TRAY and they are always assembled with indentation from the edge of the tray. With INSTALLATION ON THE TILES there is a risk, that the size of shower enclosure will be smaller than measured width of the tiles. It is necessary to follow the size charts on "TECHNICAL SPECIFICATION" pages at the end of our catalogue (p. 241-260).

Exclusive Line
in a modern style

easy and practical
maintenance

ECD2L / ECD2P

sliding shower door for niche installation
or for combination with side panel ECDBN

- standard height 2 050 mm
- large rollers with diameter of 30 mm with stainless steel ball bearers for smooth movement



6 mm ESG Tempered glass
Transparent 02



Profile colour
Brillant 00 / Black elox 05



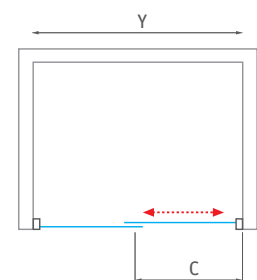
■ Bottom tilting for easy maintenance

ECD2L / ECD2P (sliding shower door)

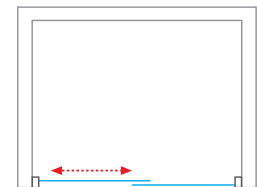
type	ordering No.	installation width (y)	height (h)	entrance size (c)	profile	glass	delivery method
ECD2L - left							
ECD2L / 1200	564-120000L-00-02	1170 – 1215	2050	490	brillant	transparent	0
ECD2L / 1200	564-120000L-05-02	1170 – 1215	2050	490	black elox	transparent	0
ECD2L / 1300	564-130000L-00-02	1270 – 1315	2050	540	brillant	transparent	0
ECD2L / 1300	564-130000L-05-02	1270 – 1315	2050	540	black elox	transparent	0
ECD2L / 1400	564-140000L-00-02	1370 – 1415	2050	590	brillant	transparent	0
ECD2L / 1400	564-140000L-05-02	1370 – 1415	2050	590	black elox	transparent	0
ECD2L / 1500	564-150000L-00-02	1470 – 1515	2050	640	brillant	transparent	0
ECD2L / 1500	564-150000L-05-02	1470 – 1515	2050	640	black elox	transparent	0
ECD2P - right							
ECD2P / 1200	565-120000P-00-02	1170 – 1215	2050	490	brillant	transparent	S
ECD2P / 1200	565-120000P-05-02	1170 – 1215	2050	490	black elox	transparent	0
ECD2P / 1300	565-130000P-00-02	1270 – 1315	2050	540	brillant	transparent	0
ECD2P / 1300	565-130000P-05-02	1270 – 1315	2050	540	black elox	transparent	0
ECD2P / 1400	565-140000P-00-02	1370 – 1415	2050	590	brillant	transparent	0
ECD2P / 1400	565-140000P-05-02	1370 – 1415	2050	590	black elox	transparent	0
ECD2P / 1500	565-150000P-00-02	1470 – 1515	2050	640	brillant	transparent	0
ECD2P / 1500	565-150000P-05-02	1470 – 1515	2050	640	black elox	transparent	0

h* - height including supporting elements

■ ECD2L



■ ECD2P



ECD2L / ECD2P (atypical customized solution)

type	width (y)	height (h)	profile	glass	delivery method
ECD2L	up to 1500 mm	up to 2050 mm	brillant / black elox	transparent	Z
ECD2P	up to 1500 mm	up to 2050 mm	brillant / black elox	transparent	Z



Nominal sizes of shower enclosures are designed for INSTALLATION ON THE TRAY and they are always assembled with indentation from the edge of the tray. With INSTALLATION ON THE TILES there is a risk, that the size of shower enclosure will be smaller than measured width of the tiles. It is necessary to follow the size charts on "TECHNICAL SPECIFICATION" pages at the end of our catalogue (p. 241–260).



Tilting system of frameless bottom part
combines the barrier free solution
with easy cleaning possibilities



■ ECD2L

Exclusive Line
in a modern style

varied selection
of door types

ECDBN

side panel for combination
with door ECDO1N or ECD2L(P)

6 mm ESG Tempered glass
Transparent 02



Profile colour
Brillant 00 / Black elox 05



■ ECDO1N + ECDBN

colour finishing of profiles



■ Choice of profile colour - Brillant / Black elox

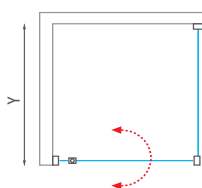
ECDBN (side panel to shower door ECD01N, ECD2L(P))

type	ordering No.	installation width (y)	height (h)	profile	glass	delivery method
ECDBN / 800	563-8000000-00-02	775-815	2050	brillant	transparent	S
ECDBN / 800	563-8000000-05-02	775-815	2050	black elox	transparent	O
ECDBN / 900	563-9000000-00-02	875-915	2050	brillant	transparent	S
ECDBN / 900	563-9000000-05-02	875-915	2050	black elox	transparent	O
ECDBN / 1000	563-1000000-00-02	975-1015	2050	brillant	transparent	S
ECDBN / 1000	563-1000000-05-02	975-1015	2050	black elox	transparent	O

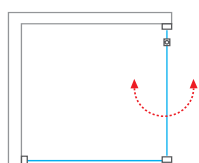
ECDBN (atypical customized solution)

type	width (y)	height (h)	profile	glass	delivery method
ECDBN	to 1100 mm	to 2050 mm	brillant	transparent	Z
ECDBN	to 1100 mm	to 2050 mm	black elox	transparent	Z

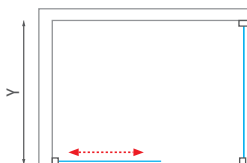
■ ECD01N + ECDBN



■ ECDBN + ECD01N



■ ECD2P + ECDBN



■ ECDBN + ECD2L



Nominal sizes of shower enclosures are designed for INSTALLATION ON THE TRAY and they are always assembled with indentation from the edge of the tray. With INSTALLATION ON THE TILES there is a risk, that the size of shower enclosure will be smaller than measured width of the tiles. It is necessary to follow the size charts on "TECHNICAL SPECIFICATION" pages at the end of our catalogue (p. 241-260).

Proxima Line

success is guaranteed

The most successful line of recent years has been complemented with new models

Proxima Line

6 mm safety glass, RothETC glass protection together with a newly specified standard height of 2 metres, allows extensive combinations with designed acrylic or cast marble trays.

■ adjustable pivot door hinges ensure easy installation

■ long durability rollers with bottom tilt function for easier shower enclosure cleaning

■ funktional towel holder on PXD2N model



Proxima Line

success is guaranteed

large selection of glass types
and profile colours

PXR2N

quadrant shower enclosure
with two sliding doors

- PXR2N model available in two heights
1 850 or 2 000 mm



6 mm ESG Tempered glass
**Transparent O2 / Satinato 15 /
Chinchilla O3**



Profile colour
Brillant OO



- Handle in Brillant surface finishing



- Polished aluminium profiles



- Ball bearing rollers with long service life

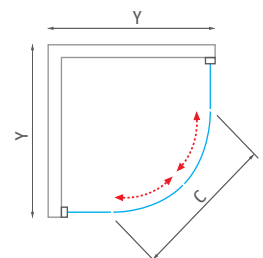


- Bottom tilt function for easy maintenance

PXR2N (quadrant shower enclosure with two sliding doors)

type	ordering No.	installation width (y)	height (h)	entrance size (c)	profile	glass	delivery method
PXR2N - height 1 850 mm							
PXR2N/800	531-800R55N-00-02	780-805	1850	380	brillant	transparent	S
PXR2N/800	531-800R55N-00-15	780-805	1850	380	brillant	satinato	O
PXR2N/900	531-900R55N-00-02	880-905	1850	520	brillant	transparent	S
PXR2N/900	531-900R55N-00-15	880-905	1850	520	brillant	satinato	S
PXR2N/900	531-900R55N-00-03	880-905	1850	520	brillant	chinchilla	S
PXR2N/1000	531-100R55N-00-02	980-1005	1850	520	brillant	transparent	S
PXR2N/1000	531-100R55N-00-15	980-1005	1850	520	brillant	satinato	O
PXR2N - height 2 000 mm							
PXR2N/800	532-800R55N-00-02	780-805	2000	380	brillant	transparent	S
PXR2N/900	532-900R55N-00-02	880-905	2000	520	brillant	transparent	S
PXR2N/900	532-900R55N-00-03	880-905	2000	520	brillant	chinchilla	S
PXR2N/1000	532-100R55N-00-02	980-1005	2000	520	brillant	transparent	O

R - standard radius R550, h* - height including supporting elements



Nominal sizes of shower enclosures are designed for **INSTALLATION ON THE TRAY** and they are always assembled with indentation from the edge of the tray. With **INSTALLATION ON THE TILES** there is a risk, that the size of shower enclosure will be smaller than measured width of the tiles. It is necessary to follow the size charts on "TECHNICAL SPECIFICATION" pages at the end of our catalogue (p. 241-260).



6 mm safety glass, RothETC glass protection together with a newly specified standard height of 2 metres, allows extensive combinations with designed acrylic or cast marble trays.



■ PXR2N

Proxima Line

success is guaranteed

ball bearing rollers
with long service life

PXS2L + PXS2P

square or rectangular shower enclosure
with two sliding doors

6 mm ESG Tempered glass
Transparent 02 / Satinato 15



Profile colour
Brillant 00



■ PXS2L + PXS2P

bottom tilting for easy maintenance

- 6mm safety glass
- RothETC glass protection against limescale deposits



■ Ball bearing rollers with long service life and bottom tilt function for easy maintenance

■ Perfect details processing

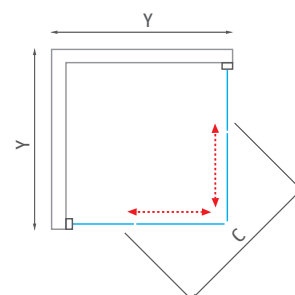
PXS2L, PXS2P 2-sectional sliding door (left / right side)

type	ordering No.	installation width (y)	height (h)	entrance size (c)	profile	glass	delivery method
PXS2L - left side / height 1 850 mm							
PXS2L/800	537-8000000-00-02	785-810	1850	385	brillant	transparent	S
PXS2L/800	537-8000000-00-15	785-810	1850	385	brillant	satinato	O
PXS2L/900	537-9000000-00-02	885-910	1850	455	brillant	transparent	S
PXS2L/900	537-9000000-00-15	885-910	1850	455	brillant	satinato	O
PXS2L/1000	537-1000000-00-02	985-1010	1850	525	brillant	transparent	S
PXS2L/1000	537-1000000-00-15	985-1010	1850	525	brillant	satinato	O
PXS2LP - right side / height 1 850 mm							
PXS2P/800	538-8000000-00-02	785-810	1850	385	brillant	transparent	S
PXS2P/800	538-8000000-00-15	785-810	1850	385	brillant	satinato	O
PXS2P/900	538-9000000-00-02	885-910	1850	455	brillant	transparent	S
PXS2P/900	538-9000000-00-15	885-910	1850	455	brillant	satinato	O
PXS2P/1000	538-1000000-00-02	985-1010	1850	525	brillant	transparent	S
PXS2P/1000	538-1000000-00-15	985-1010	1850	525	brillant	satinato	O
PXS2L - left side / height 2 000 mm							
PXS2L/800	528-8000000-00-02	785-810	2000	385	brillant	transparent	S
PXS2L/900	528-9000000-00-02	885-910	2000	455	brillant	transparent	S
PXS2L/1000	528-1000000-00-02	985-1010	2000	525	brillant	transparent	S
PXS2P - right side / height 2 000 mm							
PXS2P/800	529-8000000-00-02	785-810	2000	385	brillant	transparent	S
PXS2P/900	529-9000000-00-02	885-910	2000	455	brillant	transparent	S
PXS2P/1000	529-1000000-00-02	985-1010	2000	525	brillant	transparent	S

h* - height including supporting elements

PXS2L, PXS2P (atypical customized solution)

type	width (y)	height (h)	profile	glass	delivery method
PXS2L	up to 1000 mm	up to 2000 mm	brillant	transparent	Z
PXS2L	up to 1000 mm	up to 2000 mm	brillant	satinato	Z
PXS2P	up to 1000 mm	up to 2000 mm	brillant	transparent	Z
PXS2P	up to 1000 mm	up to 2000 mm	brillant	satinato	Z



Proxima Line

success is guaranteed

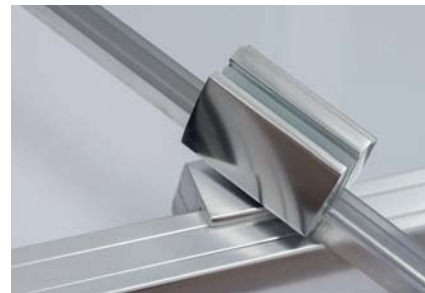
elegant and pure design



PXDO1N

single opening shower door for niche installation

- RothETC glass surface treatment for easy maintenance
- universal LEFT and RIGHT solution
- 6mm safety glass



- Adjustable pivot door hinges ensure easy installation



6 mm ESG Tempered glass
Transparent 02 / Satinato 15

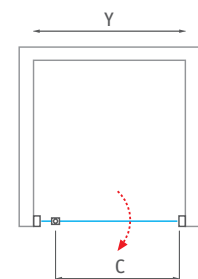


Profile colour
Brillant 00

PXDO1N (single shower door)

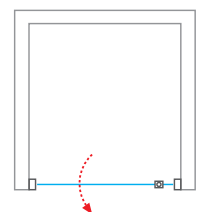
type	ordering No.	installation width (y)	height (h)	entrance size (c)	profile	glass	delivery method
PXDO1N/800	525-8000000-00-02	772-822	2000	510	brillant	transparent	S
PXDO1N/800	525-8000000-00-15	772-822	2000	510	brillant	satinato	0
PXDO1N/900	525-9000000-00-02	872-922	2000	610	brillant	transparent	S
PXDO1N/900	525-9000000-00-15	872-922	2000	610	brillant	satinato	0
PXDO1N/1000	525-1000000-00-02	972-1022	2000	710	brillant	transparent	0
PXDO1N/1000	525-1000000-00-15	972-1022	2000	710	brillant	satinato	0
PXDO1N/1100	525-1100000-00-02	1072-1122	2000	810	brillant	transparent	0
PXDO1N/1100	525-1100000-00-15	1072-1122	2000	810	brillant	satinato	0

- PXDO1N - universal LEFT and RIGHT solution



PXDO1N (atypical customized solution)

type	width (y)	height (h)	profile	glass	delivery method
PXDO1N	up to 1100 mm	up to 2000 mm	brillant	transparent	Z
PXDO1N	up to 1100 mm	up to 2000 mm	brillant	satinato	Z



for combination to sliding door
or single opening door



PXBN

side panel for combination with PXDO1N or PXD2N door

- standard dimensions of side panel from 700 to 1000 mm
- 6mm safety glass
- PXBN cannot be used as a self-standing side panel



6 mm ESG Tempered glass
Transparent 02 / Satinato 15



Profile colour
Brillant 00

PXBN (side panel to PXDO1N or PXD2N)

type	ordering No.	installation width (y)	height (h)	profile	profile	delivery method
PXBN/700	527-7000000-00-02	680-705	2000	brillant	transparent	0
PXBN/700	527-7000000-00-15	680-705	2000	brillant	satinato	0
PXBN/800	527-8000000-00-02	780-805	2000	brillant	transparent	S
PXBN/800	527-8000000-00-15	780-805	2000	brillant	satinato	0
PXBN/900	527-9000000-00-02	880-905	2000	brillant	transparent	S
PXBN/900	527-9000000-00-15	880-905	2000	brillant	satinato	0
PXBN/1000	527-1000000-00-02	980-1005	2000	brillant	transparent	S
PXBN/1000	527-1000000-00-15	980-1005	2000	brillant	satinato	0

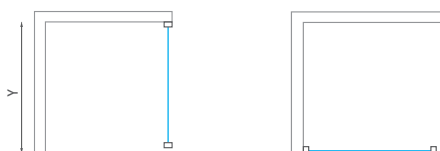


Nominal sizes of shower enclosures are designed for **INSTALLATION ON THE TRAY** and they are always assembled with indentation from the edge of the tray. With **INSTALLATION ON THE TILES** there is a risk, that the size of shower enclosure will be smaller than measured width of the tiles. It is necessary to follow the size charts on "TECHNICAL SPECIFICATION" pages at the end of our catalogue (p. 241-260).

PXBN (atypical customized solution)

type	width (y)	height (h)	profile	glass	delivery method
PXBN	up to 1100 mm	up to 2000 mm	brillant	transparent	Z
PXBN	up to 1100 mm	up to 2000 mm	brillant	satinato	Z

■ **PXBN** - universal LEFT and RIGHT solution



Proxima Line
success is guaranteed

practical design
and comfort accessories

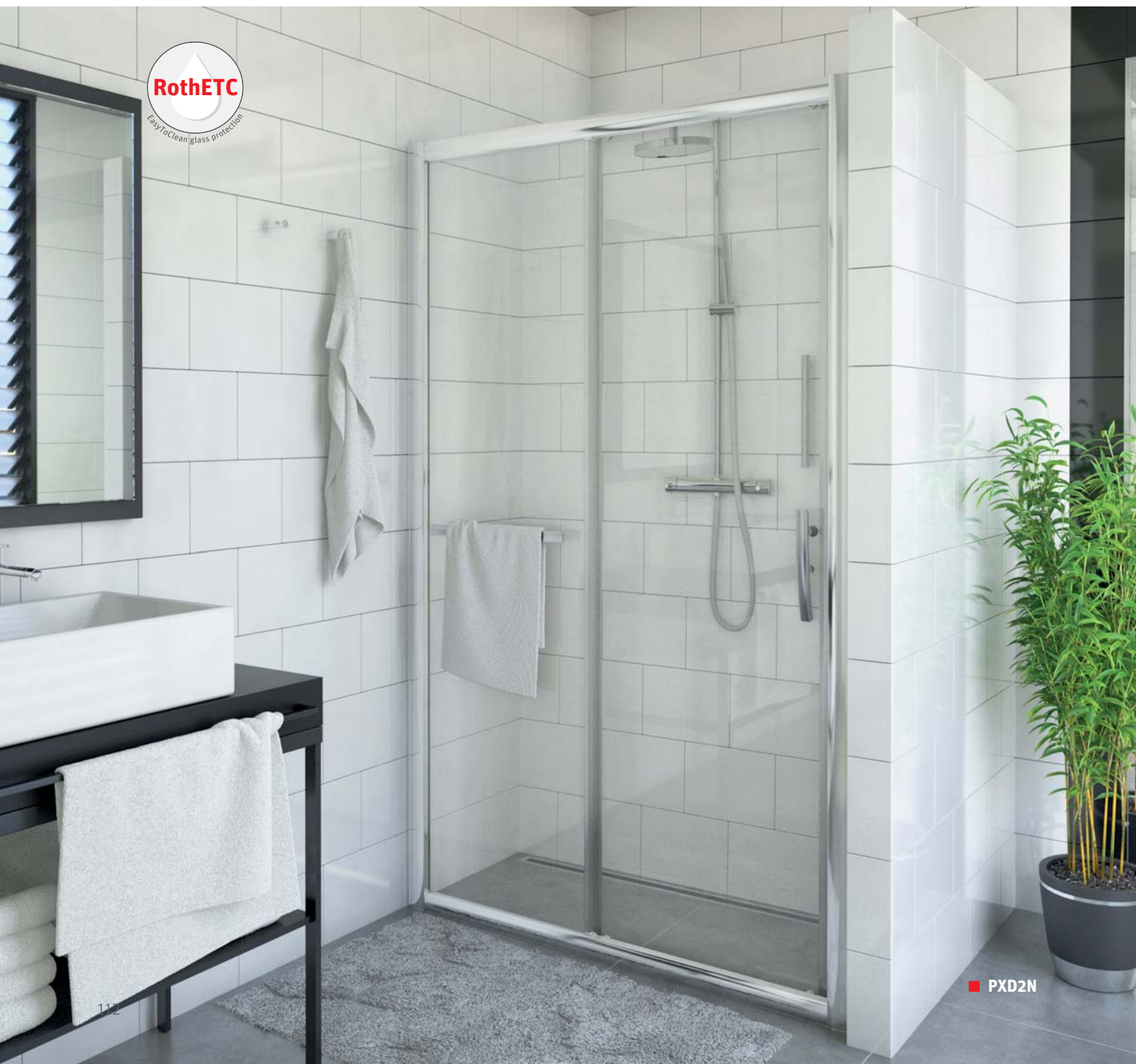
PXD2N

sliding shower door for niche installation
or for combination with side panel PXBN

6 mm ESG Tempered glass
Transparent 02 / Satinato 15



Profile colour
Brillant 00



PXD2N

easy maintenance with tilting of bottom rollers



- funkcjonalny wieszak na ręcznik
- solidny i praktyczny uchwyt
- standardowa wysokość 2 000 mm
- wersja z WYJĘCIEM Z LEWY - produkt musi być obrócony podczas instalacji i wałki zastąpione (niższe do góry)



■ Ball bearing rollers with long service life and bottom tilt function for easy maintenance



■ Robust profile and improved details



■ Multifunctional towel holder on fixed glass of PXD2N

PXD2N (2-sectional sliding door)

type	ordering No.	installation width (y)	height (h)	entrance size (c)	profile	glass	delivery method
PXD2N/1200	526-1200000-00-02	1180-1230	2000	450	brilliant	transparent	S
PXD2N/1200	526-1200000-00-15	1180-1230	2000	450	brilliant	satinato	O
PXD2N/1300	526-1300000-00-02	1280-1330	2000	500	brilliant	transparent	S
PXD2N/1300	526-1300000-00-15	1280-1330	2000	500	brilliant	satinato	O
PXD2N/1400	526-1400000-00-02	1380-1430	2000	550	brilliant	transparent	S
PXD2N/1400	526-1400000-00-15	1380-1430	2000	550	brilliant	satinato	O
PXD2N/1500	526-1500000-00-02	1480-1530	2000	600	brilliant	transparent	S
PXD2N/1500	526-1500000-00-15	1480-1530	2000	600	brilliant	satinato	O
PXD2N/1600	526-1600000-00-02	1580-1630	2000	650	brilliant	transparent	S
PXD2N/1600	526-1600000-00-15	1580-1630	2000	650	brilliant	satinato	O

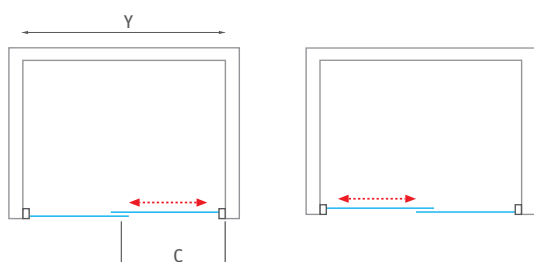
PXD2N (atypical customized solution)

type	width (y)	height (h)	profile	glass	delivery method
PXD2N	up to 1600 mm	up to 2000 mm	brilliant	transparent	Z
PXD2N	up to 1600 mm	up to 2000 mm	brilliant	satinato	Z

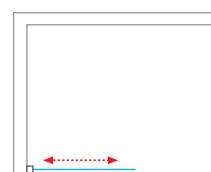


Nominal sizes of shower enclosures are designed for INSTALLATION ON THE TRAY and they are always assembled with indentation from the edge of the tray. With INSTALLATION ON THE TILES there is a risk, that the size of shower enclosure will be smaller than measured width of the tiles. It is necessary to follow the size charts on "TECHNICAL SPECIFICATION" pages at the end of our catalogue (p. 241-260).

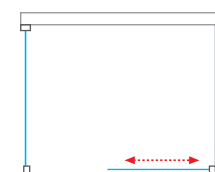
■ PXD2N - universal LEFT and RIGHT solution



■ PXD2N + PXBN



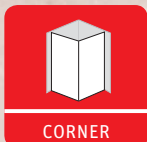
■ PXBN + PXD2N



Limaya Line
easy to be



QUADRANT



CORNER



NICHE

The background of the entire page is a close-up photograph of a person's arm being showered. Water is spraying from the top left, creating a misty, dynamic effect. The skin is wet and glistening with water droplets. The lighting is soft and natural, highlighting the texture of the water and the skin.

A completely new semi-framed line
with lifting mechanism
represents a new generation
of shower enclosures.

Limaya Line

■ just one door type for all combinations
of your shower area
square or rectangular shower enclosure
with double opening doors
square or rectangular shower enclosure
with single opening door and side panel
single opening shower door for niche installation

■ high quality lifting mechanism

■ easy entrance thanks to a both-
way opening - in and out

■ standard height 1 950 mm

Limaya Line

easy to be

comfortable and convenient
space for entry

LYR4

quadrant shower enclosure
with a double-door opening

- quality lifting mechanism
- easy entrance thanks to a both-way opening - in and out
- standard height 1 950 mm



5 mm ESG Tempered glass
Transparent O2



Profile colour
Brillant OO



- Polished aluminium handle



- Profile with quality lifting mechanism for easy opening

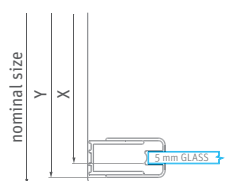
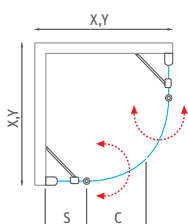


- Flexible support bar allows the setting of different angles and can solve the wall inaccuracies

LYR4 (quadrant shower enclosure with a double-door opening)

type	ordering No.	installation width (y)	height (h)	door width (c)	fixed part width (s)	profile	glass	delivery method
LYR4/800	1135008265	767-792	1959*	395	243-268	brillant	transparent	S
LYR4/900	1135008267	867-892	1959*	395	343-368	brillant	transparent	S
LYR4/1000	1135008269	967-992	1959*	395	443-468	brillant	transparent	S

R - standard radius R550, h* - height including supporting elements



Nominal sizes of shower enclosures are designed for INSTALLATION ON THE TRAY and they are always assembled with indentation from the edge of the tray. With INSTALLATION ON THE TILES there is a risk, that the size of shower enclosure will be smaller than measured width of the tiles. It is necessary to follow the size charts on "TECHNICAL SPECIFICATION" pages at the end of our catalogue (p. 241-260).



The timeless design of the **Limaya Line** series is the right for your modern bathroom. Polished aluminum profiles lining the vertical line of the shower enclosure complete the overall feeling of freedom and determination.



■ LYR4

Limaya Line

easy to be

maximum tightness
and pure design



LYP2

double shower door
for installation to a niche

- standard door dimensions from 800 to 1 200 mm
- quality lifting mechanism
- both-way opening - in and out



5 mm ESG Tempered glass
Transparent



Profile colour
Brillant



LYP2 (double shower door for a niche)

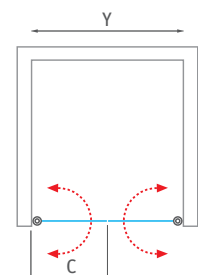
type	ordering No.	installation width (y)	height (h)	door width (c)	profile	glass	delivery method
LYP2/800	1135008220	760-810	1958*	320	brillant	transparent	S
LYP2/900	1135008222	860-910	1958*	375	brillant	transparent	S
LYP2/1000	1135008224	960-1010	1958*	425	brillant	transparent	S
LYP2/1100	1135009844	1060-1110	1958*	475	brillant	transparent	S
LYP2/1200	1135008226	1160-1210	1958*	525	brillant	transparent	S

h* - height including supporting elements

LYP2 (atypical customized solution)

type	width (y)	height (h)	profile	glass	delivery method
LYP2	up to 1500 mm	up to 1950 mm	brillant	transparent	Z

■ LYP2



Nominal sizes of shower enclosures are designed for INSTALLATION ON THE TRAY and they are always assembled with indentation from the edge of the tray. With INSTALLATION ON THE TILES there is a risk, that the size of shower enclosure will be smaller than measured width of the tiles. It is necessary to follow the size charts on "TECHNICAL SPECIFICATION" pages at the end of our catalogue (p. 241-260).

easy operating
both-sided opening doors

NEW



LYP2 + LYSW1AP2

square or rectangular shower enclosure
with a side panel LYSW1AP2

- easy to assembly wall profile
- the possibility of creating a U-shaped shower enclosure by a combination of the door and two side panels
- protection of glass against limescale by a special treatment RothETC



5 mm ESG Tempered glass
Transparent



Profile colour
Brillant

LYSW1AP2 (side panel to shower door LYP2)

type	ordering No.	installation width (y)	height (h)	door width (c)	profile	glass	delivery method
LYSW1AP2/750	1135009971	735-760	1970*	-	brillant	transparent	0
LYSW1AP2/800	1135009972	785-810	1970*	-	brillant	transparent	0
LYSW1AP2/900	1135009973	885-910	1970*	-	brillant	transparent	0
LYSW1AP2/1000	1135009974	985-1010	1970*	-	brillant	transparent	0

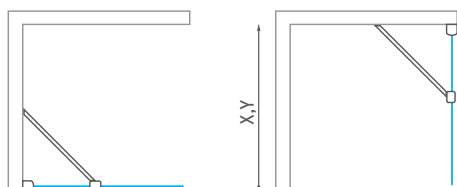
h* - height including supporting elements



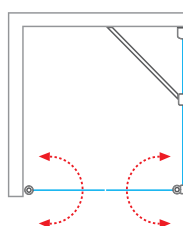
LYSW1AP2 (atypické provedení)

type	width (y)	height (h)	profile	glass	delivery method
LYSW1AP2	do 1000 mm	do 1950 mm	brillant	transparent	Z

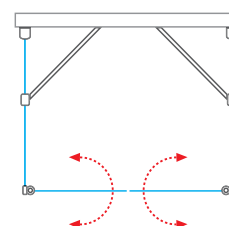
- LYSW1AP2 - universal LEFT and RIGHT solution support bar length 650 mm



- LYP2 + LYSW1AP2



- LYSW1AP2 + LYP2 + LYSW1AP2



Limaya Line

easy to be

LYE4

single opening door with a fixed part



5 mm ESG Tempered glass
Transparent O2



Profile colour
Brilliant OO



■ Opening mechanism with effective seal



■ Lifting profile ensures easy door operation



■ Flexible support bar allows the setting of different angles and can solve the wall inaccuracies

LYE4 (single shower door)

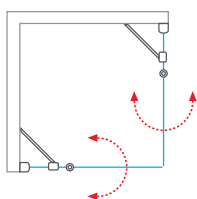
type	ordering No.	installation width (y)	height (h)	door width (c)	fixed part width (s)	profile	glass	delivery method
LYE4/800	1135008253	767-792	1959*	510	243-268	brillant	transparent	S
LYE4/900	1135008255	867-892	1959*	510	343-368	brillant	transparent	S
LYE4/1000	1135008257	967-992	1959*	510	343-368	brillant	transparent	S
LYE4/1100	1135009845	1067-1092	1959*	610	443-468	brillant	transparent	S
LYE4/1200	1135008259	1167-1192	1959*	710	443-468	brillant	transparent	S

h* - height including supporting elements

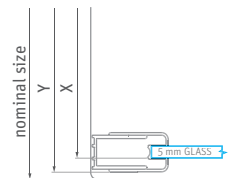
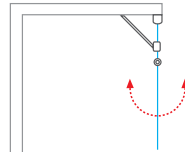
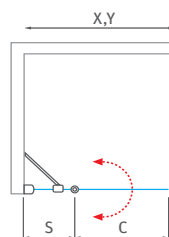
LYE4 (atypical customized solution)

type	width (y)	height (h)	profile	glass	delivery method
LYE4	up to 1200 mm	up to 1950 mm	brillant	transparent	Z

■ LYE4 + LYE4



■ LYE4 - universal LEFT and RIGHT solution



Nominal sizes of shower enclosures are designed for INSTALLATION ON THE TRAY and they are always assembled with indentation from the edge of the tray. With INSTALLATION ON THE TILES there is a risk, that the size of shower enclosure will be smaller than measured width of the tiles. It is necessary to follow the size charts on "TECHNICAL SPECIFICATION" pages at the end of our catalogue (p. 241-260).



Attractive design with elements of elegance, this is the **Limaya Line** series of shower enclosures. Quality lifting system enabling both-way door opening.



■ LYE4 + LYE4

Limaya Line

easy to be

flexible support bar solves wall inaccuracies



LYE4 + LYSW1S

square or rectangular shower enclosure with a single opening door and a side panel LYSW1S

- easy assembly wall profile
- flexible support bar allows the setting of different angles and can solve the wall inaccuracies
- quality seals for a great result



5 mm ESG Tempered glass
Transparent 02



Profile colour
Brillant 00



LYSW1S (side panel to shower door LYE4)

type	ordering No.	installation width (y)	height (h)	door width (c)	profile	glass	delivery method
LYSW1S/800	1135008232	767-792	1949*	-	brillant	transparent	S
LYSW1S/900	1135008234	867-892	1949*	-	brillant	transparent	S
LYSW1S/1000	1135008236	967-992	1949*	-	brillant	transparent	S

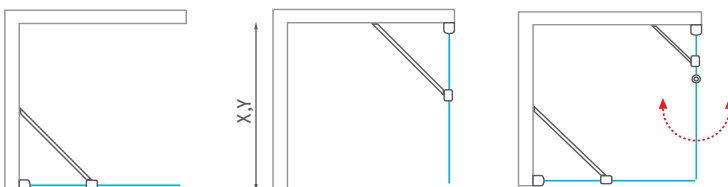
h* - height including supporting elements

LYSW1S (atypical customized solution)

type	width (y)	height (h)	profile	glass	delivery method
LYSW1S	up to 1000 mm	up to 1950 mm	brillant	transparent	Z

■ LYSW1S - universal LEFT and RIGHT solution

■ LYSW1S+ LYE4



Nominal sizes of shower enclosures are designed for INSTALLATION ON THE TRAY and they are always assembled with indentation from the edge of the tray. With INSTALLATION ON THE TILES there is a risk, that the size of shower enclosure will be smaller than measured width of the tiles. It is necessary to follow the size charts on "TECHNICAL SPECIFICATION" pages at the end of our catalogue (p. 241-260).

practical solution
for every bathroom



LYE4 + LZ

single opening door for niche installation

- quality aluminium profile for niche installation
- set of profiles increases the door installation width up by 10-25 mm
- we recommend consulting an expert



5 mm ESG Tempered glass
Transparent 02



Profile colour
Brillant 00



LZ (set of profiles)

type	ordering No.	installation width (y)	height (h)	door width (c)	profile	glass	delivery method
LZ	229-1940025-00	25-35	1941	-	brillant	-	S

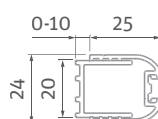
h* - height including supporting elements

LZ (atypical customized solution)

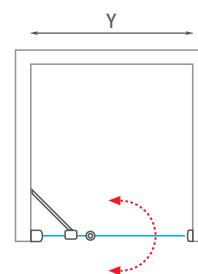
type	width (y)	height (h)	profile	glass	delivery method
LZ	-	up to 1950 mm	brillant	-	Z

installation for a niche	installation width (Y)
LYE4/800 + LZ	780-815
LYE4/900 + LZ	880-915
LYE4/1000 + LZ	980-1015
LYE4/1100 + LZ	1080-1115
LYE4/1200 + LZ	1180-1215

■ LZ- set of profiles



■ LYE4 + LZ



Nominal sizes of shower enclosures are designed for **INSTALLATION ON THE TRAY** and they are always assembled with indentation from the edge of the tray. With **INSTALLATION ON THE TILES** there is a risk, that the size of shower enclosure will be smaller than measured width of the tiles. It is necessary to follow the size charts on "TECHNICAL SPECIFICATION" pages at the end of our catalogue (p. 241-260).

Limaya Line
easy to be

simplicity
and variability

LYE2

single opening door

5 mm ESG Tempered glass
Transparent 02



Profile colour
Brillant 00



one type of door for all combinations

- corner entry with a double door opening
- single opening door with a side panel
- single opening door for a niche installation
- easy entrance thanks to a both-way opening - in and out
- standard height 1 950 mm



■ Quality lifting profile for easy opening



■ Tempered glass 5 mm with bottom seal



■ Slim door handle underlining the whole concept of this series

LYE2 (single shower door)

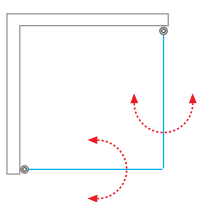
type	ordering No.	installation width (y)	height (h)	door width (c)	profile	glass	delivery method
LYE2/800	1135008242	767-792	1958*	690	brillant	transparent	S
LYE2/900	1135008244	867-892	1958*	790	brillant	transparent	S
LYE2/1000	1135008246	967-992	1958*	890	brillant	transparent	S

h* - height including supporting elements

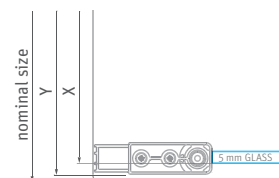
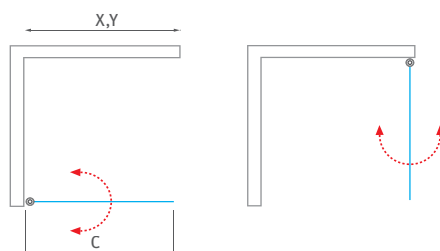
LYE2 (atypical customized solution)

type	width (y)	height (h)	profile	glass	delivery method
LYE2	up to 1000 mm	up to 1950 mm	brillant	transparent	Z

■ LYE2 + LYE2



■ LYE2 - universal LEFT and RIGHT solution



! Nominal sizes of shower enclosures are designed for **INSTALLATION ON THE TRAY** and they are always assembled with indentation from the edge of the tray. With **INSTALLATION ON THE TILES** there is a risk, that the size of shower enclosure will be smaller than measured width of the tiles. It is necessary to follow the size charts on "TECHNICAL SPECIFICATION" pages at the end of our catalogue (p. 241-260).

Limaya Line

easy to be

pure design line
without compromise



LYE2 + LYSW1S

square or rectangular shower enclosure
with a single opening door and a side panel LYSW1S

- easy assembly wall profile
- single opening door with a side panel
- simplicity of the whole assembly



5 mm ESG Tempered glass
Transparent 02



Profile colour
Brillant 00



LYSW1S (side panel to shower door LYE2)

type	ordering No.	installation width (y)	height (h)	door width (c)	profile	glass	delivery method
LYSW1S/800	1135008232	767-792	1949*	-	brillant	transparent	S
LYSW1S/900	1135008234	867-892	1949*	-	brillant	transparent	S
LYSW1S/1000	1135008236	967-992	1949*	-	brillant	transparent	S

h* - height including supporting elements

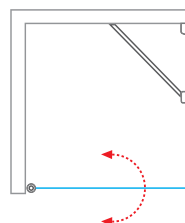
LYSW1S (atypical customized solution)

type	width (y)	height (h)	profile	glass	delivery method
LYSW1S	up to 1000 mm	up to 1950 mm	brillant	transparent	Z

■ LYSW1S - universal LEFT and RIGHT solution



■ LYE2 + LYSW1S



Nominal sizes of shower enclosures are designed for INSTALLATION ON THE TRAY and they are always assembled with indentation from the edge of the tray. With INSTALLATION ON THE TILES there is a risk, that the size of shower enclosure will be smaller than measured width of the tiles. It is necessary to follow the size charts on "TECHNICAL SPECIFICATION" pages at the end of our catalogue (p. 241-260).

practical solution of the wall inaccuracies



LYE2 + LZ

single opening door for niche installation

- set of profiles can solve the wall inaccuracies
- we recommend consulting an expert
- set of profiles increases the door installation width up by 10-25 mm



5 mm ESG Tempered glass
Transparent 02



Profile colour
Brillant 00



LZ (set of profiles)

type	ordering No.	installation width (y)	height (h)	door width (c)	profile	glass	delivery method
LZ	229-1940025-00	25-35	1941	-	brillant	-	S

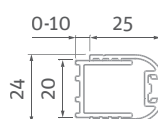
h* - height including supporting elements

LZ (atypical customized solution)

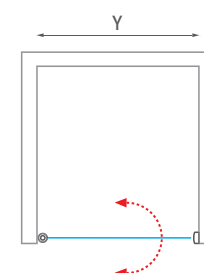
type	width (y)	height (h)	profile	glass	delivery method
LZ	-	up to 1950 mm	brillant	-	Z

installation for niche	installation width (Y)
LYE2/800 + LZ	780-815
LYE2/900 + LZ	880-915
LYE2/1000 + LZ	980-1015

■ LZ- set of profiles



■ LYE2 + LZ



Nominal sizes of shower enclosures are designed for **INSTALLATION ON THE TRAY** and they are always assembled with indentation from the edge of the tray. With **INSTALLATION ON THE TILES** there is a risk, that the size of shower enclosure will be smaller than measured width of the tiles. It is necessary to follow the size charts on "TECHNICAL SPECIFICATION" pages at the end of our catalogue (p. 241-260).

Lega Line
comfort within reach

Lega Line

Affordable solution for those,
who prefer price-performance
ratio in their lives...

New generation of enclosures practically combining 4 and 5 mm safety glass with focus on customer comfort during the usage. This complete line offers a practical solution for the standard models as well as large area showers which are more and more popular. Simplicity, durability and excellent price-performance ratio determines this line to become a new star in your bathroom.

- universal pivot mechanism allows inside and outside opening
- durable double rollers on the top assure smooth motion of the door
- robust handle made of polished stainless steel



QUADRANT



CORNER



NICHE

Lega Line
comfort within reach

safety glass
in solid frame

LLR2

quadrant shower enclosure
with two sliding doors

5 + 4 mm ESG Tempered glass
Transparent 02 / Grape 11
5 mm door glass + 4 mm fixed glass



Profile colour
Brillant 00 / White 04



possibility to order a pre-assembled version for easy installation



- combination of 4 and 5 mm safety glass with RothETC surface treatment
- standard height 1900 mm



■ The best-selling **LLR2** model now also in a **white profile** and with the popular **Grape glass**

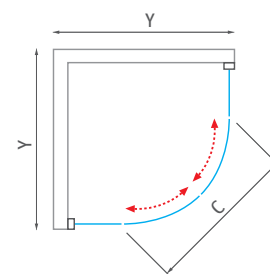
■ Durable double top and bottom rollers

■ Solid handle made of stainless steel

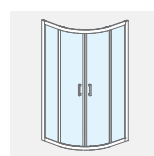
LLR2 (quadrant shower enclosure with two sliding doors)

type	ordering No.	installation width (y)	height (h)	entrance size (c)	profile	glass	delivery method
LLR2/800	555-8000000-04-02	776-798	1900	410	white	transparent	S
LLR2/800	555-8000000-04-11	776-798	1900	410	white	grape	S
LLR2/800	555-8000000-00-02	776-798	1900	410	brillant	transparent	S
LLR2/800	555-8000000-00-11	776-798	1900	410	brillant	grape	S
LLR2/900	555-9000000-04-02	876-898	1900	560	white	transparent	S
LLR2/900	555-9000000-04-11	876-898	1900	560	white	grape	S
LLR2/900	555-9000000-00-02	876-898	1900	560	brillant	transparent	S
LLR2/900	555-9000000-00-11	876-898	1900	560	brillant	grape	S
LLR2 in EASY ASSEMBLY version							
LLR2/800 *	555-8000005-04-02	776-798	1900	410	white	transparent	S
LLR2/800 *	555-8000005-04-11	776-798	1900	410	white	grape	S
LLR2/800 *	555-8000005-00-02	776-798	1900	410	brillant	transparent	S
LLR2/800 *	555-8000005-00-11	776-798	1900	410	brillant	grape	S
LLR2/900 *	555-9000005-04-02	876-898	1900	560	white	transparent	S
LLR2/900 *	555-9000005-04-11	876-898	1900	560	white	grape	S
LLR2/900 *	555-9000005-00-02	876-898	1900	560	brillant	transparent	S
LLR2/900 *	555-9000005-00-11	876-898	1900	560	brillant	grape	S

R - standard radius R550



Nominal sizes of shower enclosures are designed for **INSTALLATION ON THE TRAY** and they are always assembled with indentation from the edge of the tray. With **INSTALLATION ON THE TILES** there is a risk, that the size of shower enclosure will be smaller than measured width of the tiles. It is necessary to follow the size charts on "TECHNICAL SPECIFICATION" pages at the end of our catalogue (p. 241-260).



EASY ASSEMBLY *

Product comes in a pre-assembled version. Just joint the left and right parts, screw to the wall, adjust and seal.

Lega Line

comfort within reach

LLS2

square or rectangular shower enclosure
solution with practical corner entry



5 + 4 mm ESG Tempered glass
Transparent 02 / Intimglass 21
5 mm door glass + 4 mm fixed glass



Profile colour
Brillant 00



■ Durable double top and bottom rollers for smooth door movement and bottom tilt function for easy maintenance

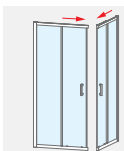
■ Handle made of polished stainless steel

LLS2 (shower enclosure with two sliding doors)

type	ordering No.	installation width (y)	height (h)	entrance size (c)	profile	glass	delivery method
LLS2/800 *	554-8000000-00-02	775-790	1900	430	brillant	transparent	S
LLS2/800 *	554-8000000-00-21	775-790	1900	430	brillant	intimglass	O
LLS2/900 *	554-9000000-00-02	875-890	1900	460	brillant	transparent	S
LLS2/900 *	554-9000000-00-21	875-890	1900	460	brillant	intimglass	O
LLS2/1000×800	554-1008000-00-02	(975-990)×(775-790)	1900	505	brillant	transparent	S
LLS2/1000×800	554-1008000-00-21	(975-990)×(775-790)	1900	505	brillant	intimglass	O
LLS2/1200×800	554-1208000-00-02	(1175-1190)×(775-790)	1900	525	brillant	transparent	O
LLS2/1200×800	554-1208000-00-21	(1175-1190)×(775-790)	1900	525	brillant	intimglass	O
LLS2/1200×900	554-1209000-00-02	(1175-1190)×(875-890)	1900	535	brillant	transparent	S
LLS2/1200×900	554-1209000-00-21	(1175-1190)×(875-890)	1900	535	brillant	intimglass	O

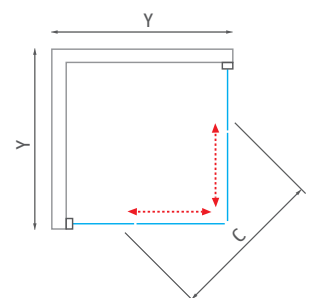
LLS2 (atypical customized solution)

type	width (y)	height (h)	profile	glass	delivery method
LLS2	up to 1200 mm	up to 1900 mm	brillant	transparent	Z
LLS2	up to 1200 mm	up to 1900 mm	brillant	intimglass	Z



EASY ASSEMBLY *

Product comes in a pre-assembled version. Just joint the left and right parts, screw to the wall, adjust and seal.





With special attention paid to the balance between the look and functionality of every detail, the **Lega Line** is ready to take its place in any modern bathroom.



Lega Line

comfort within reach

RothETC glass surface treatment



LLD01

single opening shower door for niche installation or for combination with side panel LLB



5 mm ESG Tempered glass
Transparent O2 / Intimglass 21



Profile colour
Brillant OO

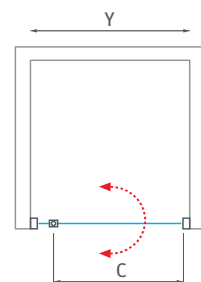


LLD01 (single shower door)

type	ordering No.	installation width (y)	height (h)	entrance size (c)	profile	glass	delivery method
LLD01/700 *	551-7000000-00-02	675-705	1900	460	brillant	transparent	S
LLD01/700 *	551-7000000-00-21	675-705	1900	460	brillant	intimglass	O
LLD01/800 *	551-8000000-00-02	775-805	1900	560	brillant	transparent	S
LLD01/800 *	551-8000000-00-21	775-805	1900	560	brillant	intimglass	O
LLD01/900 *	551-9000000-00-02	875-905	1900	660	brillant	transparent	S
LLD01/900 *	551-9000000-00-21	875-905	1900	660	brillant	intimglass	O
LLD01/1000 *	551-1000000-00-02	975-1005	1900	760	brillant	transparent	S
LLD01/1000 *	551-1000000-00-21	975-1005	1900	760	brillant	intimglass	O

LLD01 (atypical customized solution)

type	width (y)	height (h)	profile	glass	delivery method
LLD01	up to 1000 mm	up to 1900 mm	brillant	transparent	Z
LLD01	up to 1000 mm	up to 1900 mm	brillant	intimglass	Z



EASY ASSEMBLY *

Products LLD01 and LLD2 come in a pre-assembled version. Just screw to the wall, adjust and seal.

universal pivot mechanism
for opening inside and outside



LLD02

double shower door for niche installation
or for combination with side panel LLB



5 mm ESG Tempered glass
Transparent O2 / Intinglass 21



Profile colour
Brillant OO

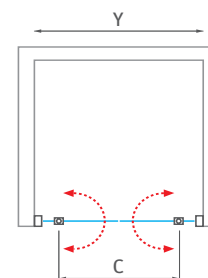


LLD02 (double shower door for a niche)

type	ordering No.	installation width (y)	height (h)	door width (c)	profile	glass	delivery method
LLD02/700 *	552-7000000-00-02	675-705	1900	475	brillant	transparent	S
LLD02/700 *	552-7000000-00-21	675-705	1900	475	brillant	intinglass	O
LLD02/800 *	552-8000000-00-02	775-805	1900	575	brillant	transparent	S
LLD02/800 *	552-8000000-00-21	775-805	1900	575	brillant	intinglass	O
LLD02/900 *	552-9000000-00-02	875-905	1900	675	brillant	transparent	S
LLD02/900 *	552-9000000-00-21	875-905	1900	675	brillant	intinglass	O
LLD02/1000 *	552-1000000-00-02	975-1005	1900	775	brillant	transparent	O
LLD02/1000 *	552-1000000-00-21	975-1005	1900	775	brillant	intinglass	O

LLD02 (atypical customized solution)

type	width (y)	height (h)	profile	glass	delivery method
LLD02	up to 1200 mm	up to 1900 mm	brillant	transparent	Z
LLD02	up to 1200 mm	up to 1900 mm	brillant	intinglass	Z



Nominal sizes of shower enclosures are designed for INSTALLATION ON THE TRAY and they are always assembled with indentation from the edge of the tray. With INSTALLATION ON THE TILES there is a risk, that the size of shower enclosure will be smaller than measured width of the tiles. It is necessary to follow the size charts on "TECHNICAL SPECIFICATION" pages at the end of our catalogue (p. 241-260).

Lega Line

comfort within reach

timeless solution
with a decent look



LLB

fixed side panel for combination with shower door
LLD01, LLD02, LLD2 and LLD4

- Brillant aluminium profile
- 5-year extended warranty
- tempered safety glass



5 mm ESG Tempered glass
Transparent O2 / Intimglass 21



Profile colour
Brillant OO

LLB (side panel to LLD01, LLD02, LLD2 or LLD4)

type	ordering No.	installation width (y)	height (h)	profile	glass	delivery method
LLB/700 *	553-7000000-00-02	679-705	1900	brillant	transparent	S
LLB/700 *	553-7000000-00-21	679-705	1900	brillant	intimglass	O
LLB/750 *	553-7500000-00-02	729-755	1900	brillant	transparent	S
LLB/750 *	553-7500000-00-21	729-755	1900	brillant	intimglass	O
LLB/800 *	553-8000000-00-02	779-805	1900	brillant	transparent	S
LLB/800 *	553-8000000-00-21	779-805	1900	brillant	intimglass	O
LLB/900 *	553-9000000-00-02	879-905	1900	brillant	transparent	S
LLB/900 *	553-9000000-00-21	879-905	1900	brillant	intimglass	O
LLB/1000 *	553-1000000-00-02	979-1005	1900	brillant	transparent	S
LLB/1000 *	553-1000000-00-21	979-1005	1900	brillant	intimglass	O

* LLB cannot be used as a self-standing side panel

LLB (atypical customized solution)

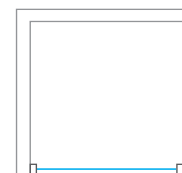
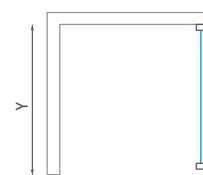
type	width (y)	height (h)	profile	glass	delivery method
LLB	up to 1000 mm	up to 1900 mm	brillant	transparent	Z
LLB	up to 1000 mm	up to 1900 mm	brillant	intimglass	Z



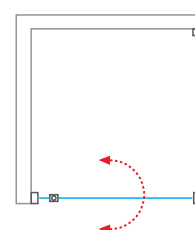
EASY ASSEMBLY *

Products of Lega Line come in a pre-assembled version. Just screw to the wall, adjust and seal.

■ LLB - universal LEFT and RIGHT solution

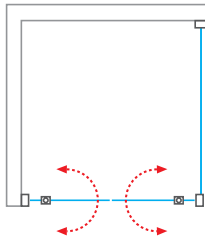


■ LLD01 + LLB



combinations of doors
with a side panel LLB

■ LLD02 + LLB



■ LLD2 + LLB



■ LLD4 + LLB



Lega Line

comfort within reach

durable rollers
with bottom tilt function



LLD2

sliding shower door for niche installation
or for combination with a side panel LLB

- RothETC glass surface treatment for easy maintenance
- double rollers
- 5-year extended warranty
- possibility of choosing the glass in Intimglass design



5 + 4 mm ESG Tempered glass
Transparent O2 / Intimglass 21
5 mm door glass + 4 mm fixed panel

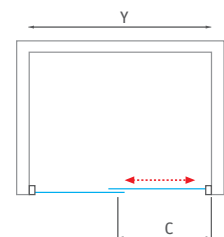


Profile colour
Brillant OO

LLD2 (sliding shower door)

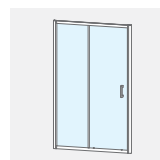
type	ordering No.	installation width (y)	height (h)	entrance size (c)	profile	glass	delivery method
LLD2/1000 *	556-1000000-00-02	970-1005	1900	385	brillant	transparent	S
LLD2/1000 *	556-1000000-00-21	970-1005	1900	385	brillant	intimglass	O
LLD2/1200 *	556-1200000-00-02	1170-1205	1900	485	brillant	transparent	S
LLD2/1200 *	556-1200000-00-21	1170-1205	1900	485	brillant	intimglass	O
LLD2/1300 *	556-1300000-00-02	1270-1305	1900	535	brillant	transparent	S
LLD2/1400 *	556-1400000-00-02	1370-1405	1900	585	brillant	transparent	S
LLD2/1400 *	556-1400000-00-21	1370-1405	1900	585	brillant	intimglass	O
LLD2/1500 *	556-1500000-00-02	1470-1505	1900	585	brillant	transparent	O
LLD2/1600 *	556-1600000-00-02	1570-1605	1900	685	brillant	transparent	S
LLD2/1600 *	556-1600000-00-21	1570-1605	1900	685	brillant	intimglass	O

- **LLD2**
universal LEFT and RIGHT solution



LLD2 (atypical customized solution)

type	width (y)	height (h)	profile	glass	delivery method
LLD2	up to 1800 mm	up to 1900 mm	brillant	transparent	Z
LLD2	up to 1800 mm	up to 1900 mm	brillant	intimglass	Z



EASY ASSEMBLY *

Product LLD2 comes in a pre-assembled version. Just screw to the wall, adjust and seal.

practical solution
for large format showers



LLD4

sliding shower door for niche installation
or for combination with a side panel LLB

- four-part shower door
- RothETC glass surface treatment
- great price-performance ratio
- Intimglass design available in atypical solution only



5 + 4 mm ESG Tempered glass
Transparent O2
5 mm door glass + 4 mm fixed panel



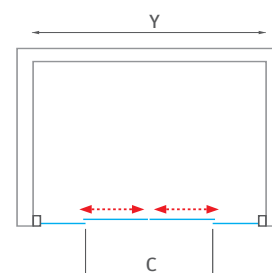
Profile colour
Brillant OO

LLD4 (four-part sliding shower door)

type	ordering No.	installation width (y)	height (h)	entrance size (c)	profile	glass	delivery method
LLD4/1100	574-1100000-00-02	1080-1110	1900	420	brillant	transparent	S
LLD4/1200	574-1200000-00-02	1180-1210	1900	470	brillant	transparent	S
LLD4/1300	574-1300000-00-02	1280-1310	1900	520	brillant	transparent	S
LLD4/1400	574-1400000-00-02	1380-1410	1900	570	brillant	transparent	S
LLD4/1500	574-1500000-00-02	1480-1510	1900	620	brillant	transparent	S
LLD4/1600	574-1600000-00-02	1580-1610	1900	670	brillant	transparent	S

LLD4 (atypical customized solution)

type	width (y)	height (h)	profile	glass	delivery method
LLD4	up to 2000 mm	up to 1900 mm	brillant	transparent	Z
LLD4	up to 2000 mm	up to 1900 mm	brillant	intimglass	Z



Nominal sizes of shower enclosures are designed for INSTALLATION ON THE TRAY and they are always assembled with indentation from the edge of the tray. With INSTALLATION ON THE TILES there is a risk, that the size of shower enclosure will be smaller than measured width of the tiles. It is necessary to follow the size charts on "TECHNICAL SPECIFICATION" pages at the end of our catalogue (p. 241-260).

Lega Line

comfort within reach

both-side sliding
door entrance

PD3N

sliding shower door with both side entrance
for niche installation

4 mm ESG Tempered glass
Transparent 02 / Grape 11
Polystyrol **Rugiada 16**



Profile colour
Brillant 00 / White 04



■ PD3N

EASY ASSEMBLY version for quick moutnage

- magnetic seals closure in the same colour as the profiles
- standard height 1900 mm
- robust aluminium frame



EASY ASSEMBLY

Product PD3N comes in a pre-assembled version. Just screw to the wall, adjust and seal.

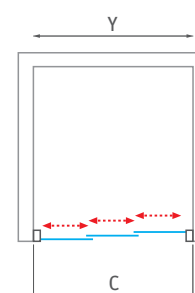


- Bottom tilting for easy maintenance of the shower door

- Both-side sliding door opening

PD3N (sliding shower door with a both-sided entrance)

type	ordering No.	installation width (y)	height (h)	entrance size (c)	profile	glass	delivery method
PD3N/800	413-8000000-04-02	750-805	1900	375	white	transparent	S
PD3N/800	413-8000000-04-11	750-805	1900	375	white	grape	S
PD3N/800	413-8000000-04-16	750-805	1900	375	white	rugiada	S
PD3N/800	413-8000000-00-02	750-805	1900	375	brillant	transparent	S
PD3N/800	413-8000000-00-11	750-805	1900	375	brillant	grape	S
PD3N/900	413-9000000-04-02	850-905	1900	440	white	transparent	S
PD3N/900	413-9000000-04-11	850-905	1900	440	white	grape	S
PD3N/900	413-9000000-04-16	850-905	1900	440	white	rugiada	S
PD3N/900	413-9000000-00-02	850-905	1900	440	brillant	transparent	S
PD3N/900	413-9000000-00-11	850-905	1900	440	brillant	grape	S
PD3N/1000	413-1000000-04-02	950-1005	1900	505	white	transparent	S
PD3N/1000	413-1000000-04-11	950-1005	1900	505	white	grape	S
PD3N/1000	413-1000000-04-16	950-1005	1900	505	white	rugiada	S
PD3N/1000	413-1000000-00-02	950-1005	1900	505	brillant	transparent	S
PD3N/1000	413-1000000-00-11	950-1005	1900	505	brillant	grape	S



PD3N (atypical customized solution)

type	width (y)	height (h)	profile	glass	delivery method
PD3N	up to 1200 mm	up to 2000 mm	white / brillant	transparent	Z
PD3N	up to 1200 mm	up to 2000 mm	white / brillant	grape	Z
PD3N	up to 1200 mm	up to 2000 mm	white	rugiada	Z
PD3N	up to 1200 mm	up to 2000 mm	white / brillant	rauch	Z
PD3N	up to 1200 mm	up to 2000 mm	white / brillant	satinato	Z



Nominal sizes of shower enclosures are designed for INSTALLATION ON THE TRAY and they are always assembled with indentation from the edge of the tray. With INSTALLATION ON THE TILES there is a risk, that the size of shower enclosure will be smaller than measured width of the tiles. It is necessary to follow the size charts on "TECHNICAL SPECIFICATION" pages at the end of our catalogue (p. 241-260).

Lega Line
comfort within reach

wide choice
of glass panels

LLBD

side panel
to sliding shower door PD3N

4 mm ESG Tempered glass
Transparent 02 / Grape 11



Profile colour
Brillant 00 / White 04



universal left and right solution

- standard dimensions of side panel from 700 to 1 000 mm
- universal left and right solution
- wide choice of glass panel types

LLBD (side panel to PD3N)

type	ordering No.	installation width (y)	height (h)	profile	glass	delivery method
LLBD/700	412-7000000-04-02	675-695	1900	white	transparent	S
LLBD/700	412-7000000-04-11	675-690	1900	white	grape	S
LLBD/700	412-7000000-00-02	675-695	1900	brillant	transparent	S
LLBD/700	412-7000000-00-11	675-690	1900	brillant	grape	S
LLBD/750	412-7500000-04-02	725-745	1900	white	transparent	S
LLBD/750	412-7500000-04-11	725-745	1900	white	grape	S
LLBD/750	412-7500000-00-02	725-745	1900	brillant	transparent	S
LLBD/750	412-7500000-00-11	725-745	1900	brillant	grape	S
LLBD/800	412-8000000-04-02	775-795	1900	white	transparent	S
LLBD/800	412-8000000-04-11	775-795	1900	white	grape	S
LLBD/800	412-8000000-00-02	775-795	1900	brillant	transparent	S
LLBD/800	412-8000000-00-11	775-795	1900	brillant	grape	S
LLBD/900	412-9000000-04-02	875-895	1900	white	transparent	S
LLBD/900	412-9000000-04-11	875-895	1900	white	grape	S
LLBD/900	412-9000000-00-02	875-895	1900	brillant	transparent	S
LLBD/900	412-9000000-00-11	875-895	1900	brillant	grape	S
LLBD/1000	412-1000000-04-02	975-995	1900	white	transparent	S
LLBD/1000	412-1000000-04-11	975-995	1900	white	grape	S
LLBD/1000	412-1000000-00-02	975-995	1900	brillant	transparent	S
LLBD/1000	412-1000000-00-11	975-995	1900	brillant	grape	S

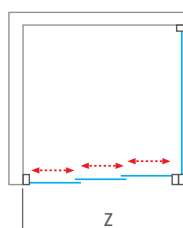
* LLBD cannot be used as a self-standing side panel

LLBD (atypical customized solution)

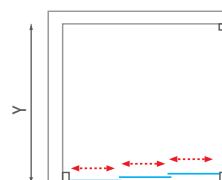
type	width (y)	height (h)	profile	glass	delivery method
LLBD	up to 1000 mm	up to 1900 mm	white / brillant	transparent	Z
LLBD	up to 1000 mm	up to 1900 mm	white / brillant	grape	Z
LLBD	up to 1000 mm	up to 1900 mm	white / brillant	rauch	Z
LLBD	up to 1000 mm	up to 1900 mm	white / brillant	satinato	Z

- installation width of PD3N in combination with side panel LLBD

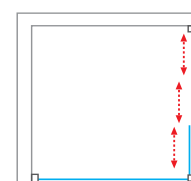
type	installation width (Z)
PD3N/800 + LLBD	774-829
PD3N/900 + LLBD	874-929
PD3N/1000 + LLBD	974-1029



- PD3N + LLBD

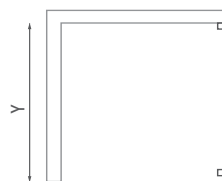


- LLBD + PD3N



- LLBD

universal LEFT and RIGHT solution



Nominal sizes of shower enclosures are designed for INSTALLATION ON THE TRAY and they are always assembled with indentation from the edge of the tray. With INSTALLATION ON THE TILES there is a risk, that the size of shower enclosure will be smaller than measured width of the tiles. It is necessary to follow the size charts on "TECHNICAL SPECIFICATION" pages at the end of our catalogue (p. 241-260).

Atypical
customized solution

Atypical dimensions

Tailored shower enclosure
within 30 working days!

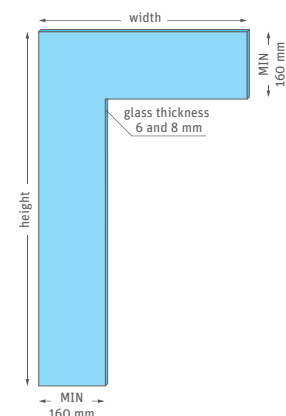
Do you have a small bathroom or you need a non-standard solution for your shower enclosure? As one of the few manufacturers we will offer you the opportunity to obtain a shower enclosure tailor made.

Extra warranty for 5 years.

We produce shower enclosures tailored to any space. Whether you have limited space or plan the bathroom in an attic or you need a non standard solution we will tune everythnig into the last millimetre.



**Limit (minimum) widths of glass
for design with cutout**





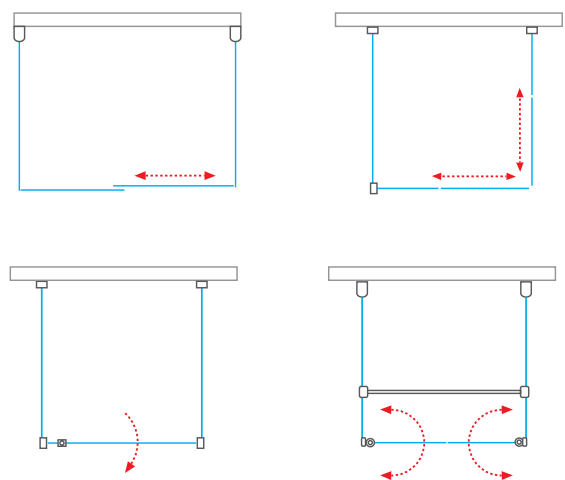
■ Details of the connection of shortened side wall to the bathtub



■ Bevel cut on fixed element



„U“ cabins



As standard it is possible to order sliding doors with a side wall from the KINEDOOR, AMBIENT and LIMAYA (LYP2+LYSW1AP2) series for the “U” shower cabin. If you require a “U” cabin in other product lines such as TOWER LINE, EXCLUSIVE LINE or PROXIMA LINE, do not hesitate to contact our sales department with a request. We will be happy to offer you solutions tailored to your needs.

Additional profiles

Extensional profiles and profiles for side connection

ADDITIONAL PROFILES							
PROFILE		series / type	extension width	height (length)	profile	ordering No.	delivery method
		extensional profile	10 mm	2 000 mm	brillant	P3061	S
		Elegant Line - whole series Tower Line - TR2, TDxx			silver	P3062	S
		extensional profile		1 991 mm	brillant	P3533	S
		Tower Line - TB			silver	P3534	S
		extensional profile	10 mm	2 000 mm	brillant	P3063	S
		Tower Line TR1, TCxx, TB TZNL(P)1, TZOL(P)1			silver	P3064	S
		extensional profile	25 mm	1 989 mm	brillant	P5096	S
		Tower Line TCN1, TDN1, TZNL(P)1			silver	P5097	S
		extensional profile	25 mm	2 050 mm	brillant	P5840	S
		Exclusive Line ECR2N, ECS2L(P)					
		extensional profile	20 mm	2 000 mm	brillant	P5092	S
		Proxima Line PXD01N, PXD2N					
		extensional profile	25 mm	1 948 mm	brillant	P4066	S
		Limaya Line LYR4, LYP2, LYE4, LYE2, LYSW1AP2					
		extensional profile		1 937 mm	brillant	P4067	S
		Limaya Line LYSW1S, LZ					

ADDITIONAL PROFILES						
PROFILE	series / type	extension width	height (length)	profile	ordering No.	delivery method
	extensional profile Lega Line LLR2, LLS2, LLD01 LLD02, LLD2, LLB, LLBD	15 mm	1900 mm	brillant	P5093	S
				white	P5094	S
	extensional profile Lega Line PD3N	13 mm	1900 mm	brillant	P5095	S
				white	P4055	S
	extensional profile Project Line LD3, LSB	10 mm	1800 mm	white	P2376	S
	profile for side connection Tower Line TDN1, TCN1, TZNL(P)1	25 mm	1991 mm	brillant	P5842	S
				silver	P5843	S
	profile for side connection Limaya Line LYR4, LYP2, LYE4, LYE2, LYSW1AP2	25 mm	1948 mm	brillant	P5845	S
			1937 mm	brillant	P5846	S
	profile for side connection Lega Line whole series	15 mm	1900 mm	brillant	P5841	S

Additional profiles enable to solve construction unevenness without the necessity to order an atypical product.



note:

maximum recommended number of extensional profiles by drawings above (three or two profiles shown in red colour)

RothETC
glass protection

Perfect glass

Protective shield against dirt and limescale!

Shower enclosures without special glass treatment can suffer from limescale and impurities. With Roth shower enclosures this will not happen. Our unique coating based on nanotechnology RothETC will protect your shower enclosure to look like new all the time.

Protective coating will last 10 years

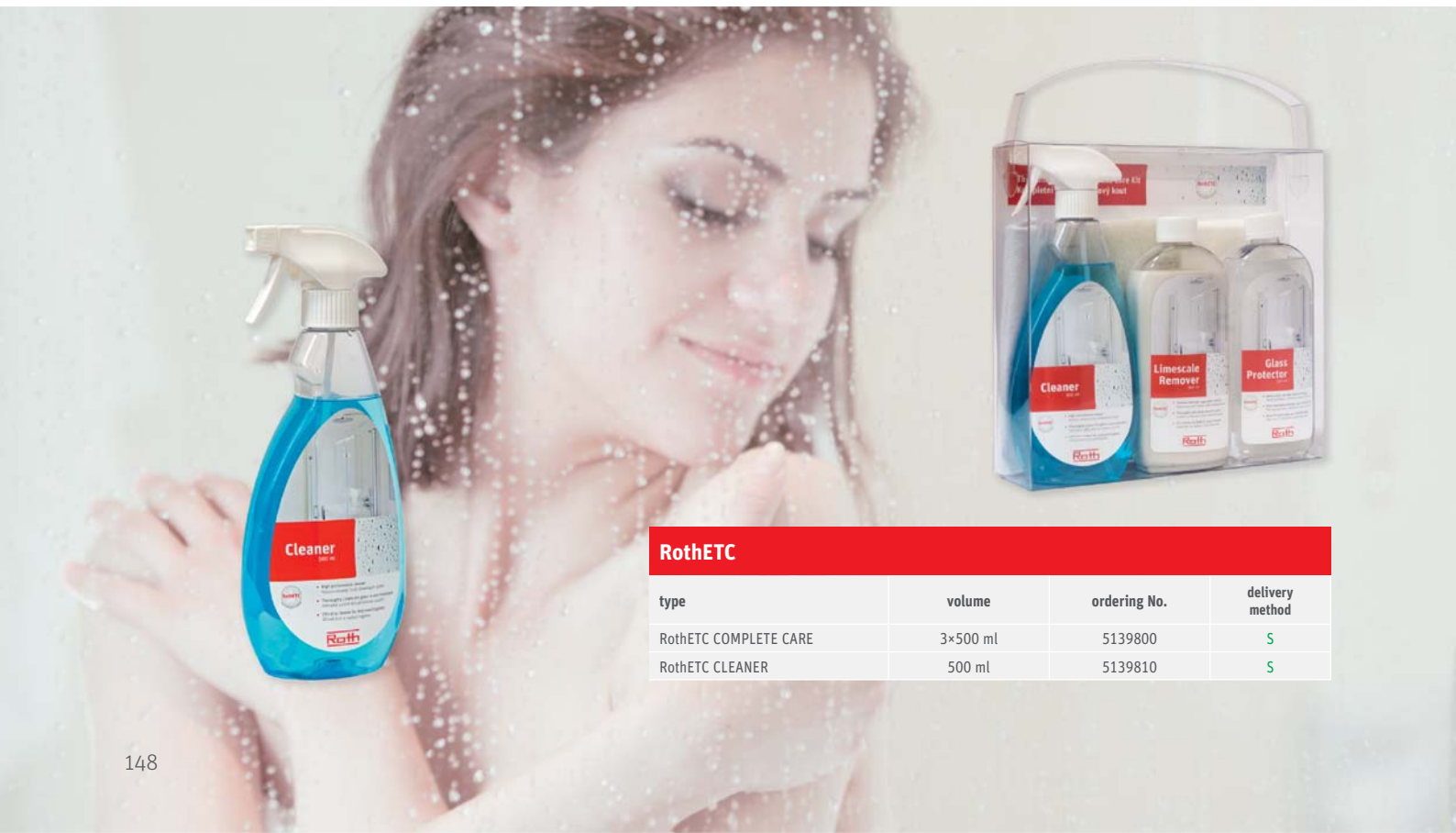
Persistent water repellent layer RothETC with oleophobic properties guarantees long-life inert surface protection with very good mechanical and chemical consistence. Thanks to these characteristics your shower enclosure will be very easy to clean.



■ Glass with **RothETC** treatment
FREE to all Roth glass panels



■ Untreated glass



RothETC

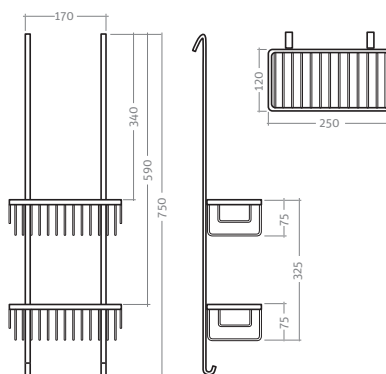
type	volume	ordering No.	delivery method
RothETC COMPLETE CARE	3×500 ml	5139800	S
RothETC CLEANER	500 ml	5139810	S

SHELF UNI

hanging shelf

Get organized in cosmetics in your shower and get rid of hygiene products around the edges of the tray. Buy a new universal shelf, which could be easily hang on a screen of your shower enclosure, so you have everything nicely accessible and organized. Double hanging shelf SHELF UNI is made of quality materials in the chrome finishing, which guarantees 100% protection against corrosion.

Dimension: 750x250 mm



SHELF UNI		
type	ordering No.	delivery method
SHELF UNI - hanging shelf	8000279	S



CLEANING BLADE

MAKE YOUR MAINTENANCE EASIER

Do you want to make your cleaning of shower enclosure easier? We recommend to wipe the glass after every usage with a practical cleaning blade. The width of the wiping surface is 245 mm. The practical chrome handle has a length of 150 mm.



CLEANING BLADE		
type	ordering No.	delivery method
CLEANING BLADE	8000201	S
CLEANING BLADE HOLDER	8000247	S

Profiles and glass panels of our shower enclosures

Profile colours and types of glass panel finishing

- profiles in 4 colours
- choose from 8 types of glass panels
- RothETC glass protection
- tempered safety glass 3, 4, 5, 6 and 8 mm
- for every shower enclosure the possibility of different glass panel



■ 00 brillant



■ 01 silver (elox)



■ 04 white



■ 05 black elox

For different options in glass panels look at the table showing the shower enclosure characteristics.



■ 02 transparent



■ 03 chinchilla



■ 14 rauch



■ 11 grape



■ 20 intimglass (Tower line)



■ 21 intimglass (Lega line)



■ 15 satinato



■ 16 rugia (polystyrol)

Shower trays
of cast marble

Marmo Prestol

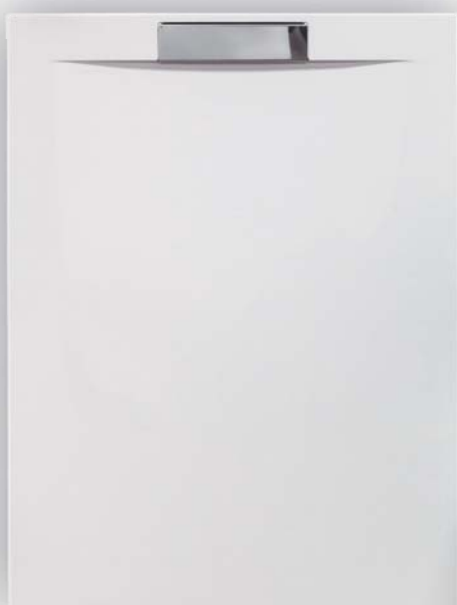
- a new generation of durable shower trays using the advantages of cast marble
- top quality processing
- 5-year warranty



PRESTOL

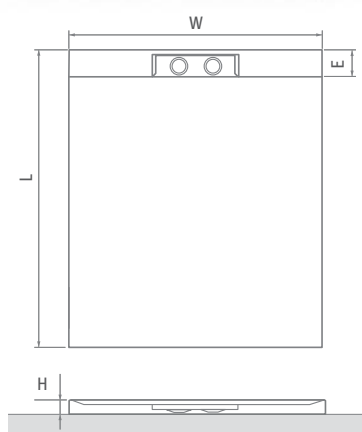
rectangular cast marble shower tray
with integrated double siphon and cover
made out of polished stainless steel

120×80 / 120×90
140×80 / 140×90
150×80 / 150×90



■ Solid stainless steel cover highlights the design of this product

■ A double self-cleaning siphon drain guarantee better drainage rate which ensures that during showering water will not accumulate anywhere



PRESTOL (cast marble shower tray with stainless steel cover)

type	ordering No.	dimension (mm)	delivery method
PRESTOL 1200×800	8000300	1200×800×35	S
PRESTOL 1200×900	8000301	1200×900×35	S
PRESTOL 1400×800	8000302	1400×800×35	S
PRESTOL 1400×900	8000303	1400×900×35	S
PRESTOL 1500×800	8000304	1500×800×35	S
PRESTOL 1500×900	8000305	1500×900×35	S

prices including 6 pcs of adjustable legs (adjustability 8 + 10 cm) and the stainless steel cover

PRESTOL	L	W	H	E	ø
1200×800	1200	800	35	97	2×60
1200×900	1200	900	35	97	2×60
1400×800	1400	800	35	97	2×60
1400×900	1400	900	35	97	2×60
1500×800	1500	800	35	97	2×60
1500×900	1500	900	35	97	2×60

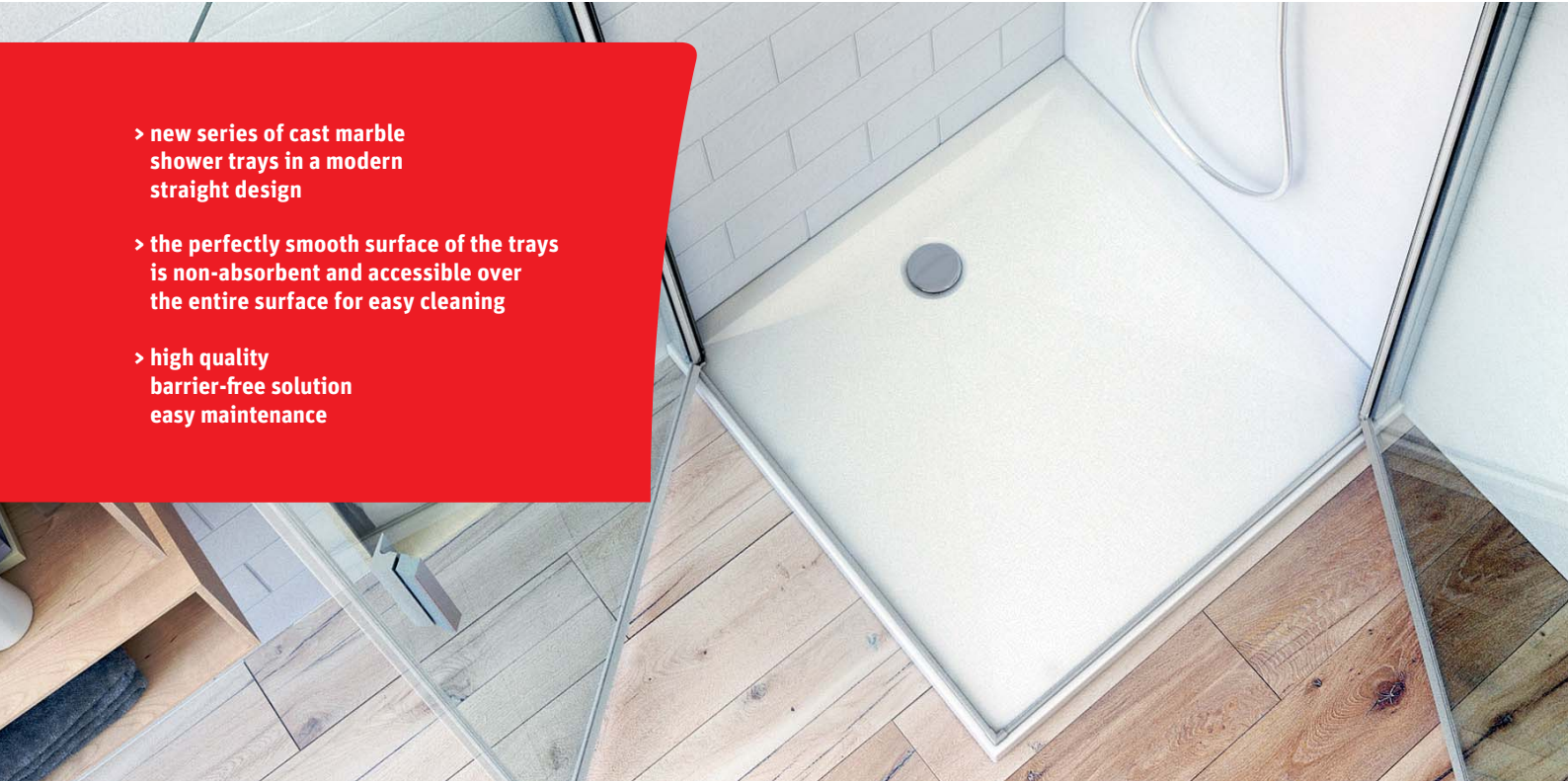
PRESTOL (double siphon drain)

type	ordering No.	description	delivery method
PRESTOL SIPHON	8100300	double siphon drain Ø 60	S

Marmo Neo

Cast marble shower trays

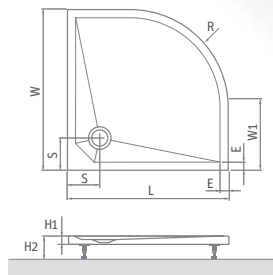
- > new series of cast marble shower trays in a modern straight design
- > the perfectly smooth surface of the trays is non-absorbent and accessible over the entire surface for easy cleaning
- > high quality barrier-free solution easy maintenance



Marmo Neo ROUND

quadrant cast marble shower tray

80×80 / 90×90 / 100×100



Marmo Neo ROUND	L	W	H1	H2	W1	E	S	R	φ
800×800	800	800	30	110-130	250	45	180	550	90
900×900	900	900	30	110-130	350	45	180	550	90
1000×1000	1000	1000	30	110-130	450	45	180	550	90

Marmo Neo ROUND

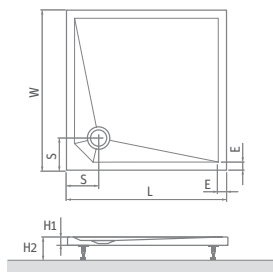
type	ordering No.	dimension (mm)	delivery method
Marmo Neo ROUND 800	MAN RO 080080 2E	800×800×30, R550	S
Marmo Neo ROUND 900	MAN RO 090090 2E	900×900×30, R550	S
Marmo Neo ROUND 1000	MAN RO 100100 2E	1000×1000×30, R550	S

prices including 5 pcs of adjustable legs (adjustability 8 ÷ 10 cm)

Marmo Neo SQUARE

square cast marble shower tray

80×80 / 90×90 / 100×100



Marmo Neo SQUARE	L	W	H1	H2	E	S	ø
800×800	800	800	30	110-130	45	180	90
900×900	900	900	30	110-130	45	180	90
1000×1000	1000	1000	30	110-130	45	180	90

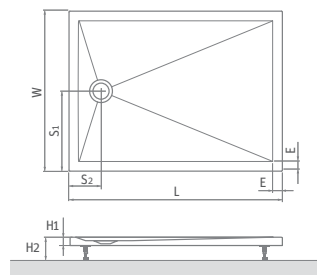
Marmo Neo SQUARE

type	ordering No.	dimension (mm)	delivery method
Marmo Neo SQUARE 800	MAN SQ 080080 2E	800×800×30	S
Marmo Neo SQUARE 900	MAN SQ 090090 2E	900×900×30	S
Marmo Neo SQUARE 1000	MAN SQ 100100 2E	1000×1000×30	S

prices including 5 pcs of adjustable legs (adjustability 8 ÷ 10 cm)

rectangular cast marble shower tray

90×70 / 80×90 / 100×80 / 100×90 / 110×80 / 110×90
120×80 / 120×90 / 140×80 / 140×90 / 160×80 / 160×90



Marmo Neo SQUARE	L	W	H1	H2	E	S1	S2	ø
900×700	900	700	30	110-130	50	350	180	90
800×900 *	800	900	30	110-130	50	450	180	90
1000×800	1000	800	30	110-130	50	400	180	90
1000×900	1000	900	30	110-130	50	450	180	90
1100×800	1100	800	30	110-130	50	400	180	90
1100×900	1100	900	30	110-130	50	450	180	90
1200×800	1200	800	35	115-135	50	400	180	90
1200×900	1200	900	35	115-135	50	450	180	90
1400×800	1400	800	35	115-135	50	400	180	90
1400×900	1400	900	35	115-135	50	450	180	90
1600×800	1600	800	35	115-135	50	400	180	90
1600×900	1600	900	35	115-135	50	450	180	90

* with the size of the 800 × 900 tray, the siphon is on the longer side

Marmo Neo SQUARE

type	ordering No.	dimension (mm)	delivery method
Marmo Neo SQUARE 9070	MAN SQ 090070 2E	900×700×30	S
Marmo Neo SQUARE 8090	MAN SQ 080090 2E	800×900×30	S
Marmo Neo SQUARE 10080	MAN SQ 100080 2E	1000×800×30	S
Marmo Neo SQUARE 10090	MAN SQ 100090 2E	1000×900×30	S
Marmo Neo SQUARE 11080	MAN SQ 110080 2E	1100×800×30	S
Marmo Neo SQUARE 11090	MAN SQ 110090 2E	1100×900×30	S
Marmo Neo SQUARE 12080	MAN SQ 120080 2E	1200×800×35	S
Marmo Neo SQUARE 12090	MAN SQ 120090 2E	1200×900×35	S
* Marmo Neo SQUARE 14080	MAN SQ 140080 2E	1400×800×35	S
* Marmo Neo SQUARE 14090	MAN SQ 140090 2E	1400×900×35	S
* Marmo Neo SQUARE 16080	MAN SQ 160080 2E	1600×800×35	S
* Marmo Neo SQUARE 16090	MAN SQ 160090 2E	1600×900×35	S

prices including 5 pcs of adjustable legs (adjustability 8 ÷ 10 cm) / * 8 pcs of legs included

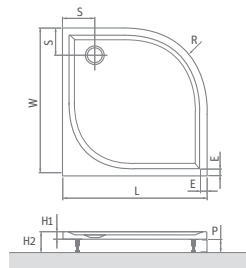
Marmo Classic

Cast marble shower trays

DREAM-M

quadrant cast marble shower tray

80×80 / 90×90



DREAM-M	L	W	H1	H2	S	P	E	R	Ø
800×800	800	800	30	110-130	150	100	40	550	90
900×900	900	900	30	110-130	180	100	40	550	90



DREAM-M

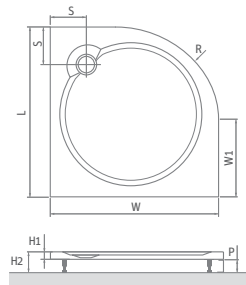
type	ordering No.	dimension (mm)	delivery method
DREAM-M 800	8000151	800×800×30, R550	S
DREAM-M 900	8000150	900×900×30, R550	S
front panel 800	8010069	height=100	S
front panel 900	8010067	height=100	S

prices including 5 pcs of adjustable legs (adjustability 8 ÷ 10 cm)

TAHITI-M

quadrant cast marble shower tray

80×80 / 90×90 / 100×100



TAHITI-M	L	W	H1	H2	S	P	E	R	Ø
800×800	800	800	30	110-130	250	180	100	550	90
900×900	900	900	30	110-130	350	190	100	550	90
1000×1000	1000	1000	30	110-130	450	200	100	550	90



TAHITI-M

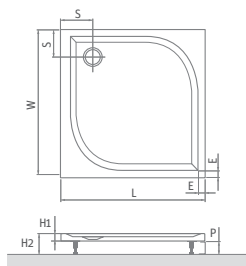
type	ordering No.	dimension (mm)	delivery method
TAHITI-M 800	8000064	800×800×30, R550	S
TAHITI-M 900	8000065	900×900×30, R550	S
TAHITI-M 1000	8000082	1000×1000×30, R550	S
front panel 800	8010069	height=100	S
front panel 900	8010067	height=100	S
front panel 1000	8010074	height=100	S

prices including 5 pcs of adjustable legs (adjustability 8 ÷ 10 cm)

ALOHA-M

square cast marble shower tray

80×80 / 90×90



ALOHA-M	L	W	H1	H2	S	P	E	β
800×800	800	800	30	110-130	150	100	40	90
900×900	900	900	30	110-130	180	100	40	90



ALOHA-M

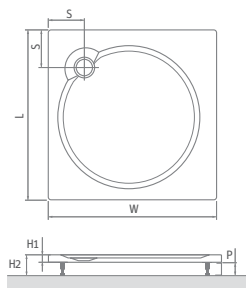
type	ordering No.	dimension (mm)	delivery method
ALOHA-M 800	8000155	800×800×30	S
ALOHA-M 900	8000154	900×900×30	S
front panel 800	8010070	height=100	S
front panel 900	8010066	height=100	S

prices including 5 pcs of adjustable legs (adjustability 8 ÷ 10 cm)

MACAO-M

square cast marble shower tray

80×80 / 90×90 / 100×100



MACAO-M	L	W	H1	H2	S	P	E	R	β
800×800	800	800	30	110-130	170	100	90	550	90
900×900	900	900	30	110-130	190	100	90	550	90
1000×1000	1000	1000	30	110-130	190	100	90	550	90



MACAO-M

type	ordering No.	dimension (mm)	delivery method
MACAO-M 800	8000062	800×800×30	S
MACAO-M 900	8000063	900×900×30	S
MACAO-M 1000	8000165	1000×1000×30	S
front panel 800	8010070	height=100	S
front panel 900	8010066	height=100	S
front panel 1000	8010081	height=100	S

prices including 5 pcs of adjustable legs (adjustability 8 ÷ 10 cm)



Cast marble trays are possible to build directly into the floor. A part of these trays is a set of legs for the case, if you would like to place the tray on an already tiled floor.

In case, you have decided to place the tray on an already tiled floor by using the legs, we recommend ordering an acrylic front cover panel together with the tray.



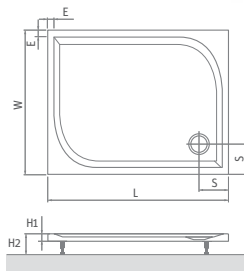
Marmo Classic

Cast marble shower trays

RECTAN-M

rectangular cast marble shower tray

100×80 / 120×80 / 120×90



RECTAN-M	L	W	H1	H2	E	S	β
1000×800	1000	800	30	110-130	50	150	90
1200×800	1200	800	30	110-130	50	150	90
1200×900	1200	900	30	110-130	50	190	90

RECTAN-M

type	ordering No.	dimension (mm)	delivery method
RECTAN-M 1000×800	8000166	1000×800×30	S
RECTAN-M 1200×800	8000167	1200×800×30	S
RECTAN-M 1200×900	8000168	1200×900×30	S

prices including 5 pcs of adjustable legs (adjustability 8 ÷ 10 cm)



Cast marble shower trays allow, due to its low entrance edge, comfortable access to the shower.

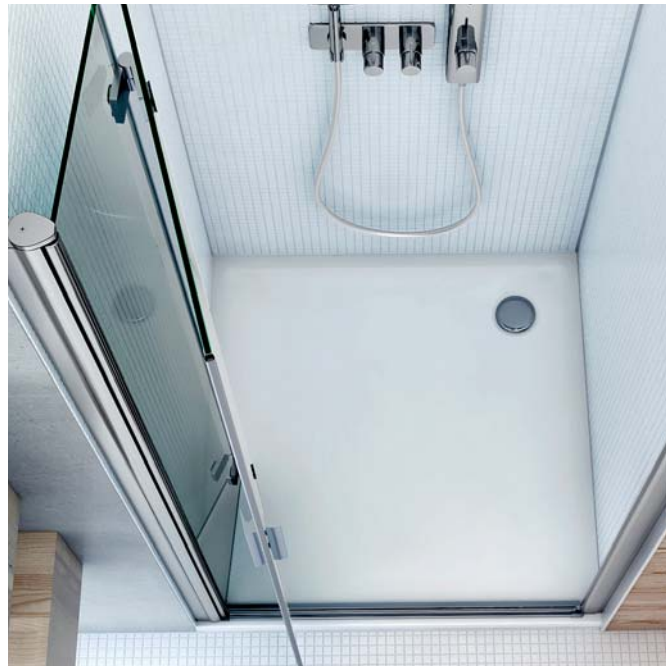


Anti slip finishing of cast marble trays for more safety in the shower.

Acrylic shower trays

- up to 10 years warranty
- asymmetric and classic shapes
- wide selection of dimensions

almost widest range in the market



- 800×800
- 900×900
- 1000×1000

- 800×800
- 900×900
- 1000×1000

- 800×1000 / 1100 / 1200 / 1300 / 1400 / 1500
- 900×1000 / 1100 / 1200 / 1300 / 1400 / 1500
- 800×900 / 1200×1000
- 750×1500 / 1600

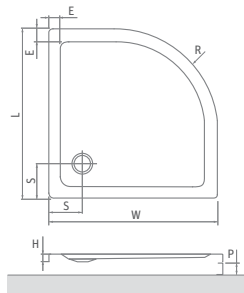
Shower trays

acrylic

FLAT ROUND

quadrant acrylic shower tray

80×80 / 90×90 / 100×100



FLAT ROUND	L	W	H	S	E	P	R	Ø
800×800	800	800	50	150	50	80	550	90
900×900	900	900	50	150	50	80	550	90
1000×1000	1000	1000	50	175	50	80	550	90



FLAT ROUND

type	ordering No.	dimension (mm)	delivery method
FLAT ROUND	8000115	800×800×50, R550	S
FLAT ROUND	8000116	900×900×50, R550	S
FLAT ROUND	8000117	1000×1000×50, R550	S
front PANEL 800	8010082	height=80	S
front PANEL 900	8010083	height=80	S
front PANEL 1000	8010084	height=80	S

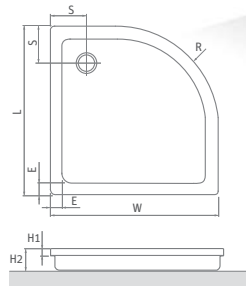
■ front panel FLAT ROUND



HAWAII

quadrant acrylic shower tray

80×80 / 90×90



HAWAII	L	W	H1	H2	S	E	R	Ø
800×800	800	800	35	150	180	70	550	60
900×900	900	900	35	160	185	70	550	60



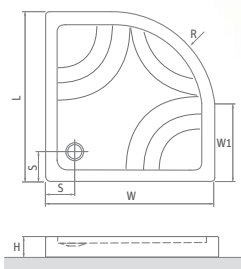
HAWAII

type	ordering No.	dimension (mm)	delivery method
HAWAII 800	8000007	800×800×150, R550	S
HAWAII 900	8000026	900×900×160, R550	S

HAWAII-P

quadrant self-supporting shower tray
made out of coextruded shell with PU support

80×80 / 90×90



HAWAII-P	L	W	H	W1	S	R	Ø
800×800	800	800	170	250	140	550	60
900×900	900	900	170	350	140	550	60



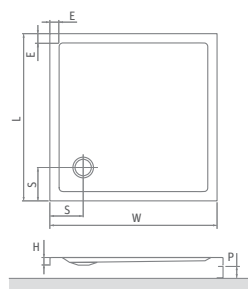
HAWAII-P

type	ordering No.	dimension (mm)	delivery method
HAWAII-P 800	8000024	800×800×170, R550	S
HAWAII-P 900	8000025	900×900×170, R550	S

FLAT KVADRO

square acrylic shower tray

80×80 / 90×90 / 100×100



FLAT KVADRO	L	W	H	S	E	P	Ø
800×800	800	800	50	150	50	80	90
900×900	900	900	50	150	50	80	90
1000×1000	1000	1000	50	175	50	80	90



FLAT KVADRO

type	ordering No.	dimension (mm)	delivery method
FLAT KVADRO	8000118	800×800×50	S
FLAT KVADRO	8000119	900×900×50	S
FLAT KVADRO	8000120	1000×1000×50	S
front panel 800	8010085	height=80	S
front panel 900	8010086	height=80	S
front panel 1000	8010087	height=80	S

■ front panel FLAT KVADRO



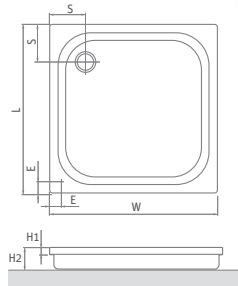
Shower trays

acrylic

COLA

square acrylic shower tray

80×80 / 90×90



COLA	L	W	H1	H2	S	E	ø
800×800	800	800	35	170	170	70	60
900×900	900	900	35	170	225	70	60



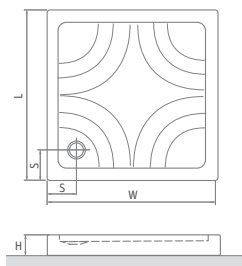
COLA

type	ordering No.	dimension (mm)	delivery method
COLA 800	8000003	800×800×160	S
COLA 900	8000004	900×900×170	S

COLA-P

square self-supporting shower tray
made out of coextruded shell with PU support

80×80 / 90×90



COLA-P	L	W	H	S	ø
800×800	800	800	170	140	60
900×900	900	900	170	140	60



COLA-P

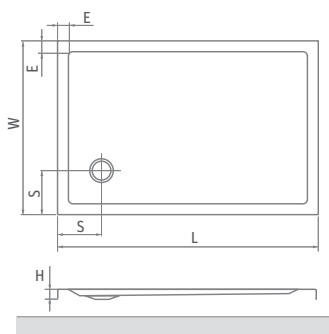
type	ordering No.	dimension (mm)	delivery method
COLA-P 800	8000022	800×800×170	S
COLA-P 900	8000023	900×900×170	S

FLAT KVADRO

rectangular acrylic shower tray



750×1500 / 1600
 900×800 / 1200×1000
 800×1000 / 1100 / 1200 / 1300 / 1400 / 1500
 900×1000 / 1100 / 1200 / 1300 / 1400 / 1500



FLAT KVADRO	L	W	H	S	E	ø
900×800	900	800	50	150	50	90
1000×800	1000	800	50	150	50	90
1000×900	1000	900	50	150	50	90
1100×800	1100	800	50	150	50	90
1100×900	1100	900	50	150	50	90
1200×800	1200	800	50	150	50	90
1200×900	1200	900	50	150	50	90
1200×1000	1200	1000	50	150	50	90
1300×800	1300	800	50	150	50	90
1300×900	1300	900	50	150	50	90
1400×800	1400	800	50	150	50	90
1400×900	1400	900	50	150	50	90
1500×800	1500	800	50	150	50	90
1500×900	1500	900	50	150	50	90
1500×750	1500	750	60	160	50	90
1600×750	1600	750	60	160	50	90

FLAT KVADRO

type	ordering No.	dimension (mm)	delivery method
FLAT KVADRO	8000161	900×800×50	S
FLAT KVADRO	8000121	1000×800×50	S
FLAT KVADRO	8000122	1000×900×50	S
FLAT KVADRO	8000248	1100×800×50	S
FLAT KVADRO	8000252	1100×900×50	S
FLAT KVADRO	8000123	1200×800×50	S
FLAT KVADRO	8000124	1200×900×50	S
FLAT KVADRO	8000160	1200×1000×50	S
FLAT KVADRO	8000249	1300×800×50	S
FLAT KVADRO	8000253	1300×900×50	S
FLAT KVADRO	8000125	1400×800×50	S
FLAT KVADRO	8000254	1400×900×50	S
FLAT KVADRO	8000251	1500×800×50	S
FLAT KVADRO	8000255	1500×900×50	S
FLAT KVADRO	8000243	1500×750×60	S
FLAT KVADRO	8000244	1600×750×60	S

■ shower tray FLAT KVADRO 1500



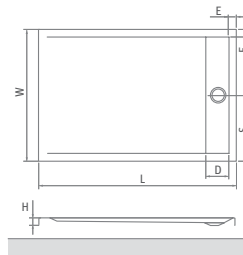
Shower trays

acrylic

INTEGRO

120×90 / 140×90 / 150×90

rectangular acrylic shower tray with integrated siphon cover made out of polished stainless steel



INTEGRO	L	W	H	S	D	E	β
1200×900	1200	900	50	450	155	50	90
1400×900	1400	900	50	450	155	50	90
1500×900	1500	900	50	450	155	50	90

INTEGRO

type	ordering No.	dimension (mm)	delivery method
INTEGRO 1200	8000169	1200×900×50	S
INTEGRO 1400	8000170	1400×900×50	S
INTEGRO 1500	8000171	1500×900×50	S



FLAT acrylic trays are possible to build directly into the floor. In case you would like to place the tray on legs, we recommend to use a set of legs for acrylic trays. This set contains 5 pcs of adjustable legs (with them you will easily level the tray) and a set of mounts (for fixing the tray to the wall).



■ legs adjustability: 7 ÷ 9 cm

Set of legs

LEGS FOR ACRYLIC SHOWER TRAYS	5139200	5 pcs of adjustable legs, set of mounts for wall mounting	S
-------------------------------	---------	---	---

FLAT STONE EFFECT

■ FLAT STONE **White**

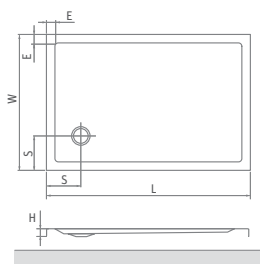


■ FLAT STONE **Anthracite**



Shower trays FLAT STONE EFFECT are designed not only for modern bathrooms with a spacious shower.

These shower trays are made of structured acrylate with a very pleasant surface to touch. FLAT STONE EFFECT is produced in the shape of a square in three dimensions or in a rectangle design, where there are an incredible 14 dimensions to choose from. All this in two colour variants - ageless sanitary white colour and modern anthracite.



FLAT STONE	L	W	H	S	E	Ø
800×800	800	800	50	150	50	90
900×900	900	900	50	150	50	90
1000×1000	1000	1000	50	175	50	90
900×800	900	800	50	150	50	90
1000×800	1000	800	50	150	50	90
1000×900	1000	900	50	150	50	90
1100×800	1100	800	50	150	50	90
1100×900	1100	900	50	150	50	90
1200×800	1200	800	50	150	50	90
1200×900	1200	900	50	150	50	90
1200×1000	1200	1000	50	150	50	90
1300×800	1300	800	50	150	50	90
1300×900	1300	900	50	150	50	90
1400×800	1400	800	50	150	50	90
1400×900	1400	900	50	150	50	90
1500×800	1500	800	50	150	50	90
1500×900	1500	900	50	150	50	90

FLAT STONE EFFECT				
type	colour	ordering No.	dimension (mm)	delivery method
FLAT STONE 80×80	anthracite	8000310	800×800×50	S
	white	8000311		
FLAT STONE 90×90	anthracite	8000312	900×900×50	S
	white	8000313		
FLAT STONE 100×100	anthracite	8000314	1000×1000×50	S
	white	8000315		
FLAT STONE 90×80	anthracite	8000316	900×800×50	S
	white	8000317		
FLAT STONE 100×80	anthracite	8000318	1000×800×50	S
	white	8000319		
FLAT STONE 100×90	anthracite	8000320	1000×900×50	S
	white	8000321		
FLAT STONE 110×80	anthracite	8000322	1100×800×50	S
	white	8000323		
FLAT STONE 110×90	anthracite	8000324	1100×900×50	S
	white	8000325		
FLAT STONE 120×80	anthracite	8000326	1200×800×50	S
	white	8000327		
FLAT STONE 120×90	anthracite	8000328	1200×900×50	S
	white	8000329		
FLAT STONE 120×100	anthracite	8000330	1200×1000×50	S
	white	8000331		
FLAT STONE 130×80	anthracite	8000332	1300×800×50	S
	white	8000333		
FLAT STONE 130×90	anthracite	8000334	1300×900×50	S
	white	8000335		
FLAT STONE 140×80	anthracite	8000336	1400×800×50	S
	white	8000337		
FLAT STONE 140×90	anthracite	8000338	1400×900×50	S
	white	8000339		
FLAT STONE 150×80	anthracite	8000340	1500×800×50	S
	white	8000341		
FLAT STONE 150×90	anthracite	8000342	1500×900×50	S
	white	8000343		

Alegria Silk

What is Solid Surface?

Solid Surface is a modern composite material which combines gentle feel of silk and noble solidness of marble..

- non-porous surface is completely smooth - does not absorb any colouring substances
- chemical resistant against all kinds of domestic solvents, acids and washing liquids
- hard and durable - scratch resistant and in comparison to ceramics also shock resistant
- does not fade - resistant to UV-rays
- eco friendly - can be recycled and after being ground, can be used for new Solid Surface items production

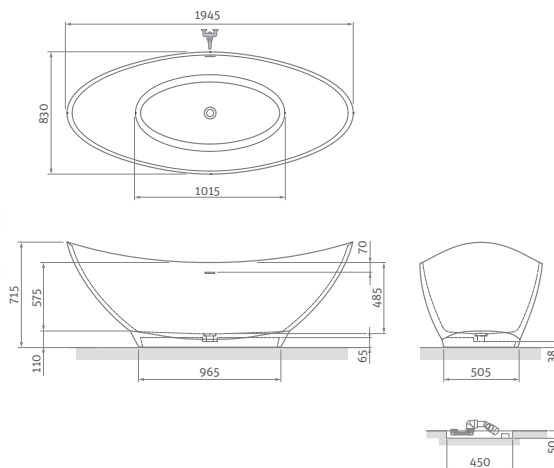
Solid Surface in standard comes in white colour and half matte gloss. Solid Surface contains a natural material called bauxite which is mixed in vacuum with polyester resin and hardened at high temperature. is used for visually and geometrically flawless interior design elements.



ALEGRIA SILK

elegant freestanding bathtub made of Solid Surface material

194×83



ALEGRIA SILK

type	ordering No.	dimension (mm)	volume (l)	delivery method
ALEGRIA SILK	9950000	1945×830×715	280	Z

The integrated drain cover of this bathtub is specially made of Solid Surface material weight: 128 kg

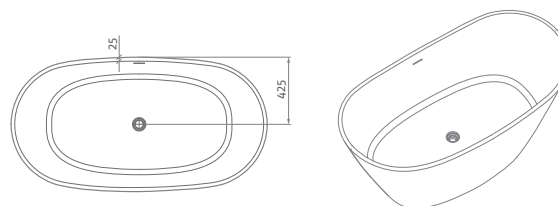
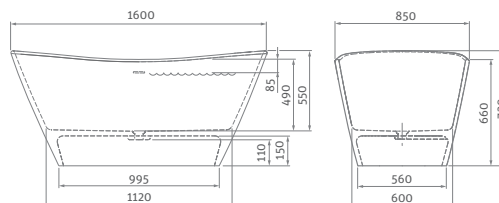


Note:
Before installation the drain has to be pre-built into the floor

STONE AMORE

freestanding bathtub made of cast marble

160×85



STONE AMORE

type	ordering No.	dimension (mm)	volume (l)	delivery method
STONE AMORE	9930000	1600×850×720	260	Z

Bathtub is equipped by the integrated siphon weight: 127 kg



Bathtubs acrylic

KUBIC NEO

rectangular acrylic bathtub

150×70 / 160×70 / 160×80
170×75 / 180×80



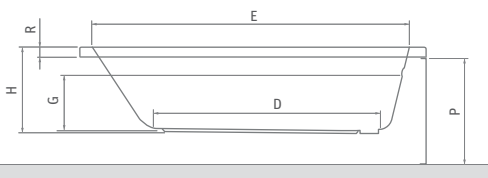
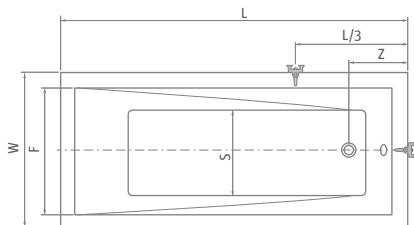
recommended
accessories legs
EXCLUSIVE page 193



BV2, TZVL(P)2, TV1, TV2,
SWING, PXV2, PXVB, PXV1,
LLV2, LLVB, SCREEN MINI

KUBIC NEO

type	ordering No.	dimension (mm)	volume (l)	delivery method
KUBIC NEO 150×70	9300000	1500×700	200	S
KUBIC NEO 160×70	9310000	1600×700	210	S
KUBIC NEO 160×80	9320000	1600×800	225	S
KUBIC NEO 170×75	9330000	1700×750	230	S
KUBIC NEO 180×80	9340000	1800×800	250	S
Front PANEL 150	9300001	1500×560	-	S
Front PANEL 160	9310001	1600×560	-	S
Front PANEL 170	9330001	1700×560	-	S
Front PANEL 180	9340001	1800×560	-	S
Side PANEL 70	9300002	700×560	-	S
Side PANEL 75	9330002	750×560	-	S
Side PANEL 80	9340002	800×560	-	S



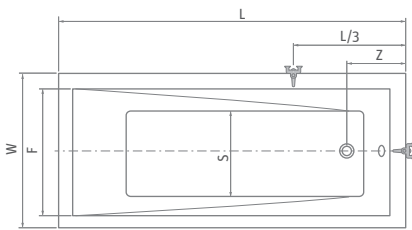
KUBIC NEO	L	W	H	G	D	R	P	S	E	F	Z
1500×700	1500	700	435	330	970	40	560	400	1360	560	290
1600×700	1600	700	435	330	1070	40	560	400	1460	560	290
1600×800	1600	800	455	350	1070	40	560	450	1460	660	290
1700×750	1700	750	435	330	1170	40	560	420	1560	610	290
1800×800	1800	800	455	350	1270	40	560	450	1660	660	290

KUBIC NEO SLIM

rectangular acrylic bathtub with extra slim rim

150×70 / 160×70 / 160×80
170×75 / 180×80

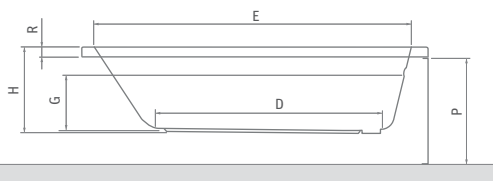
KUBIC NEO SLIM				
type	ordering No.	dimension (mm)	volume (l)	delivery method
KUBIC NEO SLIM 150×70	9300SLM	1500×700	200	S
KUBIC NEO SLIM 160×70	9310SLM	1600×700	210	S
KUBIC NEO SLIM 160×80	9320SLM	1600×800	225	S
KUBIC NEO SLIM 170×75	9330SLM	1700×750	230	S
KUBIC NEO SLIM 180×80	9340SLM	1800×800	250	S



recommended accessories legs EXCLUSIVE page 193



BV2, TZVL(P)2, TV1, TV2, SWING, PXV2, PXVB, PXV1, LLV2, LLVB, SCREEN MINI



KUBIC NEO	L	W	H	G	D	R	P	S	E	F	Z
1500×700	1500	700	435	340	970	18	560	400	1360	560	290
1600×700	1600	700	435	340	1070	18	560	400	1460	560	290
1600×800	1600	800	455	360	1070	18	560	450	1460	660	290
1700×750	1700	750	435	340	1170	18	560	420	1560	610	290
1800×800	1800	800	455	360	1270	18	560	450	1660	660	290

New extra slim rim for more luxurious bathing ...



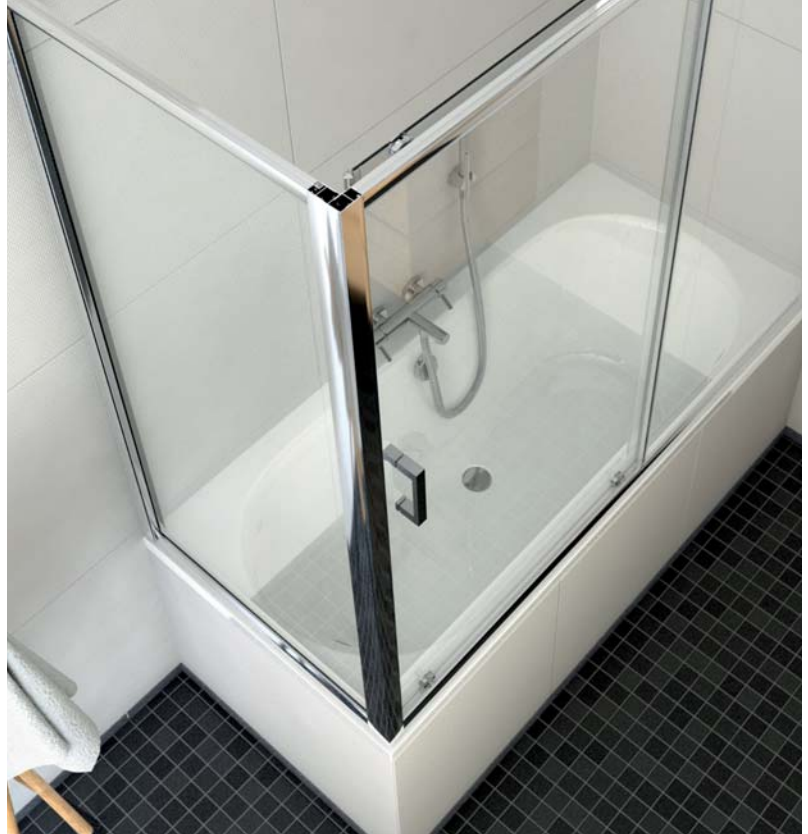
Bathtubs

acrylic

MALIBU NEO

rectangular acrylic bathtub

160×75 / 170×75 / 180×80



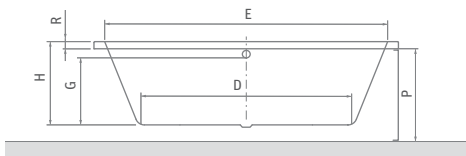
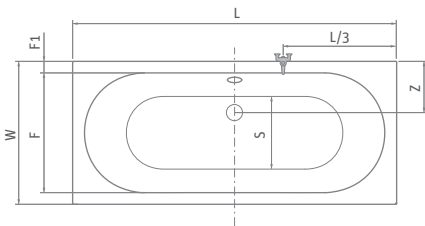
recommended accessories legs EXCLUSIVE page 193



BV2, TZVL(P)2, TV1, TV2, SWING, PXV2, PXVB, PXV1, LLV2, LLVB, SCREEN MINI

MALIBU NEO

type	ordering No.	dimension (mm)	volume (l)	delivery method
MALIBU NEO 160	9200000	1600×750	200	S
MALIBU NEO 170	9190000	1700×750	210	S
MALIBU NEO 180	9180000	1795×795	220	S
Front PANEL 160	9310001	1600×560	-	S
Front PANEL 170	9330001	1700×560	-	S
Front PANEL 180	9180001	1800×580	-	S
Side PANEL 75	9330002	750×560	-	S
Side PANEL 80	9180002	800×580	-	S



MALIBU NEO	L	W	H	G	D	R	P	S	E	F	F1	Z
1600×750	1600	750	430	330	1010	40	560	375	1480	630	60	255
1700×750	1700	750	465	320	1150	40	560	445	1590	630	60	255
1795×795	1795	795	465	330	1210	40	580	465	1680	670	60	270

KUBIC NEO

rectangular acrylic bathtub

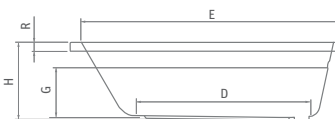
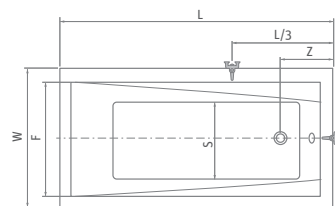
120×70 / 130×70



recommended accessories legs EXCLUSIVE page 193



BV2, TV1, TV2, SWING, PXV1, SCREEN MINI



KUBIC NEO

type	ordering No.	dimension (mm)	volume (l)	delivery method
KUBIC NEO 120	9350000	1200×700	145	S
KUBIC NEO 130	9360000	1300×700	160	S

KUBIC NEO	L	W	H	G	D	R	S	E	F	Z
1200×700	1200	700	435	330	670	40	400	1060	560	290
1300×700	1300	700	435	330	770	40	400	1160	560	290

KUBIC

rectangular acrylic bathtub

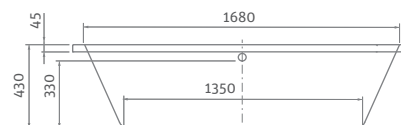
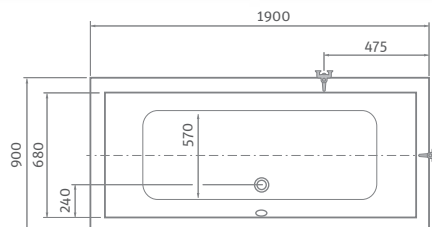
190×90



recommended accessories legs EXCLUSIVE page 193



BV2, TZVL(P)2, TV1, TV2, SWING, PXV2, PXVB, PXV1, LLV2, LLVB, SCREEN MINI



KUBIC 190

type	ordering No.	dimension (mm)	volume (l)	delivery method
KUBIC 190	9390000	1900×900	220	S

Bathtubs

acrylic

NEW

SAVONA NEO

rectangular acrylic bathtub

170×80 / 180×80



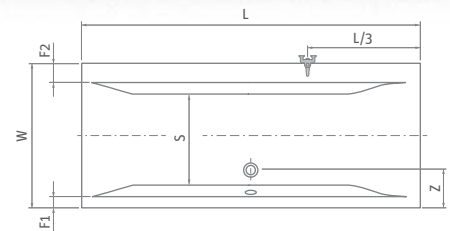
recommended accessories legs EXCLUSIVE page 193



BV2, TZVL(P)2, TV1, TV2, SWING, PXV2, PXVB, PXV1, LLV2, LLVB, SCREEN MINI



SAVONA NEO				
type	ordering No.	dimension (mm)	volume (l)	delivery method
SAVONA NEO 170	9290000	1700×800	190	S
SAVONA NEO 180	9280000	1800×800	200	S



SAVONA NEO	L	W	H	G	D	R	S	F1	F2	Z
1700×800	1700	800	440	350	1140	40	580	60	90	265
1800×800	1800	800	440	350	1240	40	580	60	90	265



VANESSA NEO

rectangular acrylic bathtub

140×70 / 150×70 / 160×70 / 170×70



recommended accessories legs EXCLUSIVE page 193



BV2, TZVL(P)2, TV1, TV2, SWING, PXV2, PXVB, PXV1, LLV2, LLVB, SCREEN MINI

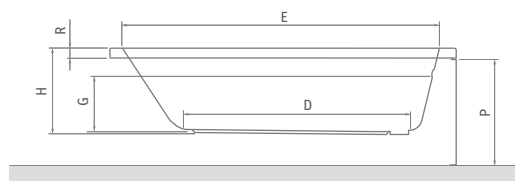
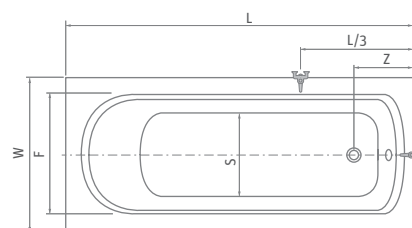
VANESSA NEO				
type	ordering No.	dimension (mm)	volume (l)	delivery method
VANESSA NEO 140	9550000	1400×700	150	S
VANESSA NEO 150	9560000	1500×700	155	S
VANESSA NEO 160	9570000	1600×700	160	S
VANESSA NEO 170	9580000	1700×700	165	S
Front PANEL 140	9550001	1400×530	-	S
Front PANEL 150	8930001	1500×530	-	S
Front PANEL 160	8940001	1600×530	-	S
Front PANEL 170	8950001	1700×530	-	S
Side PANEL 70	8930002	700×530	-	S



■ front panel for VANESSA NEO bathtub



■ side panel for VANESSA NEO bathtub



VANESSA NEO	L	W	H	G	D	R	P	S	E	F	Z
1400×700	1400	700	435	330	870	40	530	380	1270	560	270
1500×700	1500	700	435	330	970	40	530	380	1370	560	270
1600×700	1600	700	435	330	1070	40	530	380	1470	560	270
1700×700	1700	700	435	330	1170	40	530	380	1570	510	270

Bathtubs

acrylic

ACTIVA

asymmetric corner acrylic bathtub

150×90 / 160×90 / 170×90



recommended accessories legs EXCLUSIVE page 193



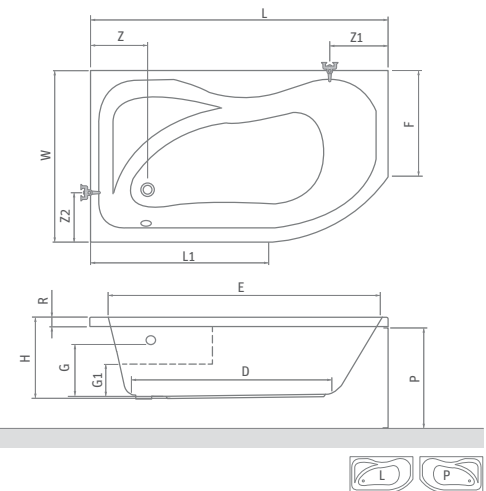
BV2, TZVL(P)2, TV1, TV2, SWING, PXV1, SCREEN MINI



ACTIVA

type	ordering No.	dimension (mm)	volume (l)	delivery method
ACTIVA 150 (L)	8410000	1500×900	200	S
ACTIVA 150 (P)	8400000	1500×900	200	S
ACTIVA 160 (L)	8430000	1600×900	210	S
ACTIVA 160 (P)	8420000	1600×900	210	S
ACTIVA 170 (L)	8170000	1700×900	280	S
ACTIVA 170 (P)	8180000	1700×900	280	S
Front PANEL 150	8400001	height=580	-	S
Front PANEL 160	8420001	height=580	-	S
Front PANEL 170	8170001	height=580	-	S

■ panel for ACTIVA bathtub



ACTIVA	L	W	H	G	G1	D	R	P	L1	E	F	Z	Z1	Z2
1500×900	1500	900	465	330	240	1000	45	580	800	1430	570	210	340	230
1600×900	1600	900	465	330	240	1200	45	580	850	1500	570	210	340	230
1700×900	1700	900	475	330	240	1250	45	580	950	1570	570	210	340	230

MINI

asymmetric corner acrylic bathtub

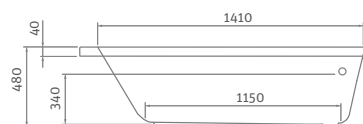
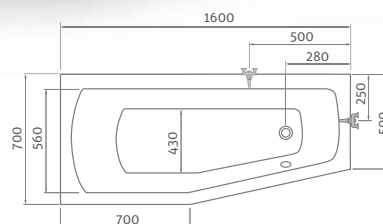
160×70



recommended accessories legs
EXCLUSIVE page 193



PXV1, SCREEN MINI



MINI

type	ordering No.	dimension (mm)	volume (l)	delivery method
MINI 160×70 (L)	N-8000073	1600×700	210	S
MINI 160×70 (P)	N-8000074	1600×700	210	S

EVA SIDE

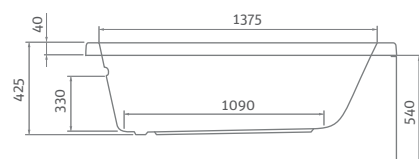
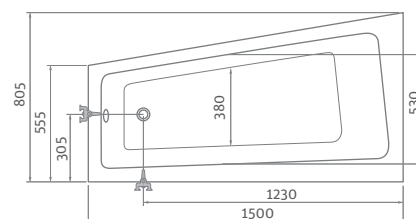
asymmetric corner acrylic bathtub

150×80

■ EVA SIDE bathtub
with front and side panels



recommended accessories legs
EXCLUSIVE page 193



EVA SIDE

type	ordering No.	dimension (mm)	volume (l)	delivery method
EVA SIDE 150×80 (L)	9780000	1500×800	200	S
EVA SIDE 150×80 (P)	9790000	1500×800	200	S
Front PANEL 150 (L)	9780001	height=540	-	S
Front PANEL 150 (P)	9790001	height=540	-	S
Side PANEL 55	9780002	height=540	-	S

Bathtubs

acrylic

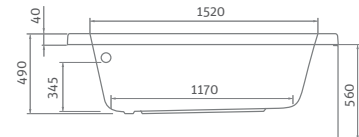
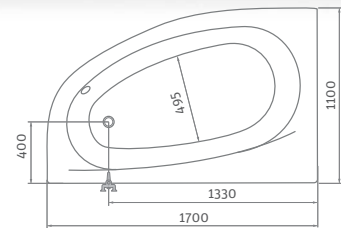
ISABELLA NEO

asymmetric corner acrylic bathtub

170×110



recommended accessories legs EXCLUSIVE page 193



ISABELLA NEO

type	ordering No.	dimension (mm)	volume (l)	delivery method
ISABELLA NEO 170 (L)	9700000	1700×1100	240	S
ISABELLA NEO 170 (P)	9710000	1700×1100	240	S
front PANEL 170 (L)	9700001	height=570	-	S
front PANEL 170 (P)	9710001	height=570	-	S

■ panel for ISABELLA NEO bathtub



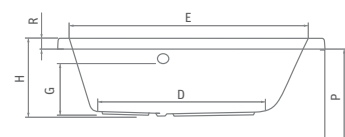
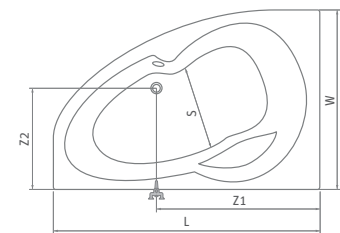
HARMONIA

asymmetric corner acrylic bathtub

150×95 / 160×95



recommended accessories legs EXCLUSIVE page 193



HARMONIA

type	ordering No.	dimension (mm)	volume (l)	delivery method
HARMONIA 150 (L)	9800000	1500×950	200	S
HARMONIA 150 (P)	9810000	1500×950	200	S
HARMONIA 160 (L)	9820000	1600×950	225	S
HARMONIA 160 (P)	9830000	1600×950	225	S
Front PANEL 150	9800001	height=560	-	S
Front PANEL 160	9820001	height=560	-	S

HARMONIA	L	W	H	G	D	R	P	S	E	Z1	Z2
1500×950	1500	950	450	330	1050	40	560	440	1390	905	515
1600×950	1600	950	470	335	1205	40	560	475	1490	965	515

ACTIVA NEO

spacious asymmetric corner bathtub

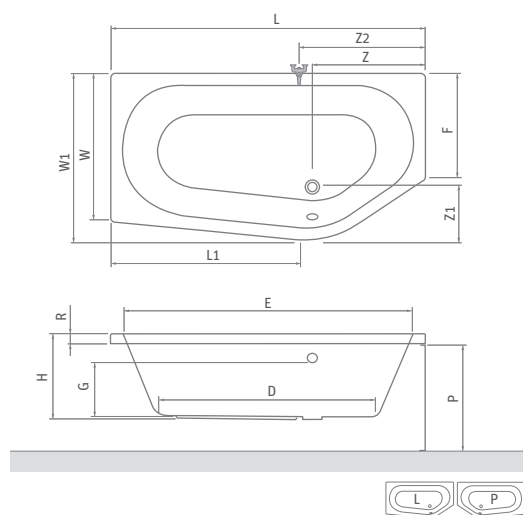
150×90 / 160×90 / 170×90



recommended accessories legs EXCLUSIVE page 193



ACTIVA NEO				
type	ordering No.	dimension (mm)	volume (l)	delivery method
ACTIVA NEO 150 (L)	9840000	1500×900	210	S
ACTIVA NEO 150 (P)	9850000	1500×900	210	S
ACTIVA NEO 160 (L)	9860000	1600×900	215	S
ACTIVA NEO 160 (P)	9870000	1600×900	215	S
ACTIVA NEO 170 (L)	9880000	1700×900	230	S
ACTIVA NEO 170 (P)	9890000	1700×900	230	S
Front PANEL 150	9840001	height=570	-	S
Front PANEL 160	9860001	height=570	-	S
Front PANEL 170	9880001	height=570	-	S



New design of ACTIVA NEO bathtub provides maximum space to enjoy a comfortable bath even in smaller bathrooms!

ACTIVA NEO	L	W1	W	H	G	D	R	P	L1	E	F	Z	Z1	Z2
1500×900	1500	900	800	460	350	1000	40	570	850	1380	560	530	300	550
1600×900	1600	900	800	460	350	1100	40	570	980	1480	560	530	300	550
1700×900	1600	900	800	460	350	1150	40	570	1060	1580	560	530	300	550

Bathtubs

acrylic

KUBIC

ASYMMETRIC

asymmetric corner acrylic bathtub

160×103 / 170×110

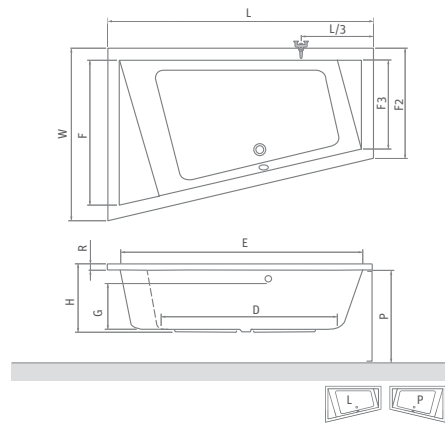


recommended accessories legs EXCLUSIVE page 193



KUBIC ASYMMETRIC				
type	ordering No.	dimension (mm)	volume (l)	delivery method
KUBIC ASYMMETRIC 160 (L)	9660000	1600×1030	220	S
KUBIC ASYMMETRIC 160 (P)	9670000	1600×1030	220	S
KUBIC ASYMMETRIC 170 (L)	9680000	1700×1100	240	S
KUBIC ASYMMETRIC 170 (P)	9690000	1700×1100	240	S
Front PANEL 160	9660001	height=520	-	S
Front PANEL 170	9680001	height=520	-	S

KUBIC ASYM.	L	W	H	G	D	R	P	E	F	F2	F3
1600×1030	1600	1030	450	320	950	50	520	1450	870	630	500
1700×1100	1700	1100	450	320	1050	50	520	1550	940	700	570



AMORE

rectangular acrylic bathtub for two persons

180×120



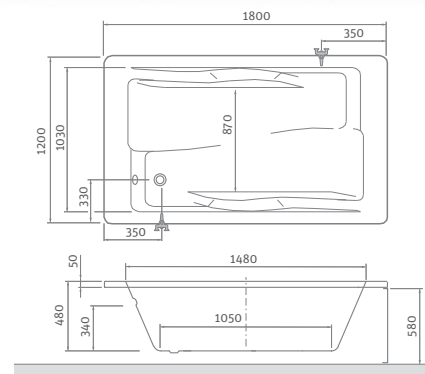
we recommend to order 2 × set of legs EXCLUSIVE page 193



BV2, TZVL(P)2, TV1, TV2, SWING, PXV2, PXVB, PXV1, LLV2, LLVB, SCREEN MINI



AMORE				
type	ordering No.	dimension (mm)	volume (l)	delivery method
AMORE	9720000	1800×1200	300	S
Front PANEL 180	9720001	1800×580	-	S
Side PANEL 120	9720002	1200×580	-	S



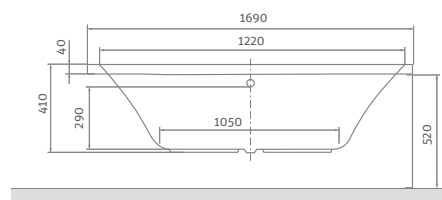
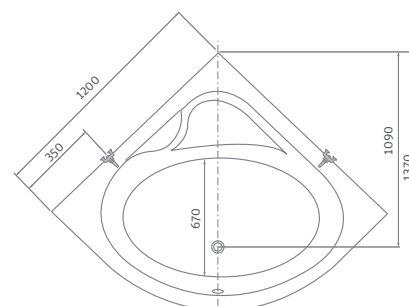
FLORA NEO

corner acrylic bathtub

120×120



recommended accessories legs EXCLUSIVE page 193



FLORA NEO

type	ordering No.	dimension (mm)	volume (l)	delivery method
FLORA NEO 120	9590000	1200×1200	140	S
Front PANEL 120	9590001	height=520	-	S

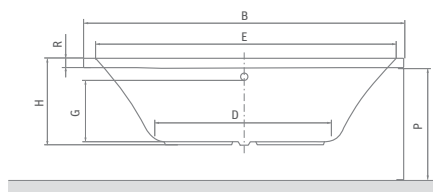
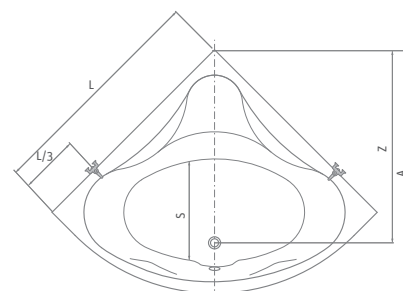
SABRINA NEO

corner acrylic bathtub

140×140 / 150×150



recommended accessories legs EXCLUSIVE page 193



SABRINA NEO

type	ordering No.	dimension (mm)	volume (l)	delivery method
SABRINA NEO 140	9620000	1400×1400	250	S
SABRINA NEO 150	9630000	1500×1500	320	S
Front PANEL 140	9620001	height=570	-	S
Front PANEL 150	9630001	height=570	-	S

SABRINA NEO	L	A	B	H	G	D	R	P	S	E	Z
1400×1400	1400	1410	1950	480	320	990	40	570	630	1370	1150
1500×1500	1500	1540	2100	480	320	1100	40	570	750	1600	1310

Bath screens
practical supplement

Bath screens

Do you need a practical bath screen? Fixed, with sliding door, opening or folding? Just pick ...



practical solution
with shelf and hanger



BV2

bath screen with a both-way opening
and a fixed part with practical accessories

- minimalistic design with no frame
- safety glass with RothETC treatment
- lifting mechanism



5 mm ESG Tempered glass
Transparent O2



Profile colour
Brillant OO

BV2 (bath screen with a both-way opening)

type	ordering No.	installation width (y)	height (h)	width (c1)	width (c2)	profile	glass	delivery method
BV2/900	290-9000000-00-02	880-890	1505	450-460	430	brillant	transparent	0



h* - height including supporting elements

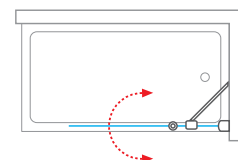
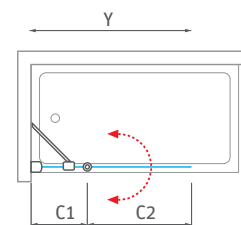
- **BV2** - universal LEFT and RIGHT solution



- Practical solution with hanger and shelf



- Both-way opening and fixed part



Bath screens

practical supplement

practical solution
for comfortable relaxation



TZVL2 / TZVP2

folding bath screen
with a swivel wall system

- profile with quality lifting mechanism for easy opening
- RothETC glass surface treatment against the limescale
- door hinges are embedded from inside to the glass level for better convenience when cleaning



6 mm ESG Tempered glass
Transparent 02



Profile colour
Brillant 00

TZVL2 / TZVP2 (folding bath screen)

type	ordering No.	installation width (y)	height (h)	width (c1)	width (c2)	profile	glass	delivery method
TZVL2/1000	742-100000L-00-02	990-1005	1400*	420	520	brillant	transparent	0
TZVP2/1000	742-100000P-00-02	990-1005	1400*	420	520	brillant	transparent	0
TZVL2/1100	742-110000L-00-02	1090-1105	1400*	470	570	brillant	transparent	0
TZVP2/1100	742-110000P-00-02	1090-1105	1400*	470	570	brillant	transparent	0
TZVL2/1200	742-120000L-00-02	1190-1205	1400*	520	620	brillant	transparent	0
TZVP2/1200	742-120000P-00-02	1190-1205	1400*	520	620	brillant	transparent	0

h* - height including supporting elements



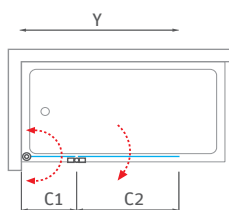
TZVL2 / TZVP2 (atypical customized solution)

type	width (y)	height (h)	profile	glass	delivery method
TZVL(P)2	up to 1600 mm	up to 1500 mm	brillant	transparent	Z
TZVL(P)2	up to 1600 mm	up to 1500 mm	brillant	chinchilla	Z
TZVL(P)2	up to 1600 mm	up to 1500 mm	brillant	rauch	Z
TZVL(P)2	up to 1600 mm	up to 1500 mm	brillant	satinato	Z

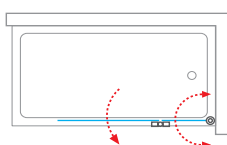


- Door hinges in chrome surface finishing

■ TZVL2



■ TZVP2



stability
and easy maintenance



TV2

bath screen with a both-way
opening and a fixed part

- minimalist design without frame
- safety glass with RothETC treatment
- both-way opening



6 mm ESG Tempered glass
Transparent 02



Profile colour
Brillant 00

TV2 (bath screen with a both-way opening and a fixed part)

type	ordering No.	installation width (y)	height (h)	width (c1)	width (c2)	profile	glass	delivery method
TV2	732-9700000-00-02	970-980	1427*	430	540	brillant	transparent	S

h* - height including supporting elements



TV2 (atypical customized solution)

type	width (y)	height (h)	profile	glass	delivery method
TV2	up to 1800 mm	up to 1500 mm	brillant	transparent	Z
TV2	up to 1800 mm	up to 1500 mm	brillant	chinchilla	Z
TV2	up to 1800 mm	up to 1500 mm	brillant	rauch	Z
TV2	up to 1800 mm	up to 1500 mm	brillant	satinato	Z



- Lifting mechanism for easy opening

- TV2 - universal LEFT and RIGHT solution



Bath screens

practical supplement

simple line
in elegant concept



TV1

bath screen with a both-way opening

- elegant frameless solution
- RothETC glass surface treatment against the limescale
- extended 5-years warranty
- universal left / right solution



6 mm ESG Tempered glass
Transparent 02



Profile colour
Brillant 00 / Silver (elox) 01



TV1 (bath screen with a both-way opening)

type	ordering No.	installation width (y)	height (h)	width (c)	profile	glass	delivery method
TV1/700	706-7000000-00-02	670-685	1400	620	brillant	transparent	S
TV1/700	706-7000000-01-02	670-685	1400	620	silver	transparent	S
TV1/750	706-7500000-00-02	720-735	1400	670	brillant	transparent	S
TV1/750	706-7500000-01-02	720-735	1400	670	silver	transparent	S
TV1/800	706-8000000-00-02	770-785	1400	720	brillant	transparent	S
TV1/800	706-8000000-01-02	770-785	1400	720	silver	transparent	S

h* - height including supporting elements

TV1 (atypical customized solution)

type	width (y)	height (h)	profile	glass	delivery method
TV1	up to 1000 mm	up to 1600 mm	silver / brillant	transparent	Z
TV1	up to 1000 mm	up to 1600 mm	silver / brillant	chinchilla*	Z
TV1	up to 1000 mm	up to 1600 mm	silver / brillant	rauch	Z
TV1	up to 1000 mm	up to 1600 mm	silver / brillant	satinato*	Z

* in the CHINCHILLA and SATINATO versions it is necessary to distinguish between LEFT and RIGHT solutions



- **TV1** - universal LEFT and RIGHT solution



- Handle with chrome surface finishing

design and functional solution to every bathroom



SWING

bath screen with a both-way opening

- design of frameless bath screen
- safety glass with RothETC treatment
- lifting mechanism



6 mm ESG Tempered glass
Transparent 02



Profile colour
Brillant 00 / Silver (elox) 01

SWING (bath screen with a both-way opening)

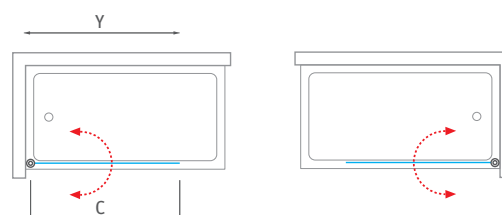
type	ordering No.	installation width (y)	height (h)	width (c1)	profile	glass	delivery method
SWING/850	657-8500000-00-02	855-870	1400	805	brillant	transparent	S
SWING/850	657-8500000-01-02	855-870	1400	805	silver	transparent	S

h* - height including supporting elements



- Both-way screen opening saves the space

- **SWING** - universal LEFT and RIGHT solution



Bath screens

practical supplement

focused on detail
and perfection



SCREEN MINI

bath screen with a both-way opening

- profile with quality lifting mechanism for easy opening
- RothETC glass surface treatment against the limescale
- extended 5-years warranty



8 mm ESG Tempered glass
Transparent 02



Profile colour
Brillant 00

SCREEN MINI (bath screen with a both-way opening)

type	ordering No.	installation width (y)	height (h)	width (c)	profile	glass	delivery method
SCREEN MINI	217-7000000-00-09	660	1 400	635	brillant	transparent	S



- Quality polished hinges for improved stability



- SCREEN MINI - universal LEFT and RIGHT solution



solution for your bathroom
in a simple design



PXV1

fixed bath screen

- safety glass with RothETC treatment
- brace with a chrome surface finish
- extended 5-years warranty



6 mm ESG Tempered glass
Transparent O2



Profile colour
Brillant OO



PXV1 (fixed bath screen)

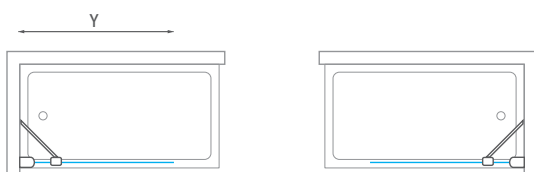
type	ordering No.	installation width (y)	height (h)	width (c)	profile	glass	delivery method
PXV1/700	453-7000000-00-02	635-660	1517*	—	brillant	transparent	S
PXV1/750	453-7500000-00-02	685-710	1517*	—	brillant	transparent	S
PXV1/800	453-8000000-00-02	735-760	1517*	—	brillant	transparent	O

h* - height including supporting elements

PXV1 (atypical customized solution)

type	width (y)	height (h)	profile	glass	delivery method
PXV1	up to 1200 mm	up to 1500 mm	brillant	transparent	Z

- **PXV1** - universal LEFT and RIGHT solution



- The brace in a chrome finish ensures perfect stability

Bath screens

practical supplement

precise processing
attention to detail



■ PXV2P

PXV2L / PXV2P

bath screen with sliding door

- aluminium profiles and ball bearing rollers
- RothETC glass surface treatment
- all installation options:
along the wall, to a corner or to a niche



6 mm ESG Tempered glass
Transparent 02



Profile colour
Brillant 00



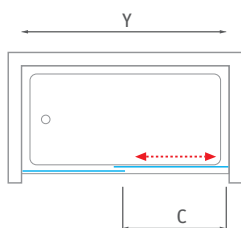
PXV2L / PXV2P (bath screen with sliding door)

type	ordering No.	installation width (y)	height (h)	entrance (c)	profile	glass	delivery method
PXV2L/1500	451-150000L-00-02	1480-1530	1500	600	brillant	transparent	0
PXV2P/1500	451-150000P-00-02	1480-1530	1500	600	brillant	transparent	0
PXV2L/1600	451-160000L-00-02	1580-1630	1500	650	brillant	transparent	0
PXV2P/1600	451-160000P-00-02	1580-1630	1500	650	brillant	transparent	0
PXV2L/1700	451-170000L-00-02	1680-1730	1500	700	brillant	transparent	0
PXV2P/1700	451-170000P-00-02	1680-1730	1500	700	brillant	transparent	0
PXV2L/1800	451-180000L-00-02	1780-1830	1500	750	brillant	transparent	0
PXV2P/1800	451-180000P-00-02	1780-1830	1500	750	brillant	transparent	0

PXV2L / PXV2P (atypical customized solution)

type	width (y)	height (h)	profile	glass	delivery method
PXV2L(P)2	up to 1800 mm	up to 1500 mm	brillant	transparent	Z

■ PXV2L



■ PXV2P



■ Multifunctional towel holder on the fixed glass

functionality and originality
for everyone



PXVB

bath side panel for PXV2L / PXV2P

- safety glass with RothETC treatment
- standard height 1 500 mm



6 mm ESG Tempered glass
Transparent 02



Profile colour
Brillant 00

PXVB (side panel)

type	ordering No.	installation width (y)	height (h)	profile	glass	delivery method
PXVB/700	452-7000000-00-02	680-705	1500	brillant	transparent	0
PXVB/750	452-7500000-00-02	730-755	1500	brillant	transparent	0
PXVB/800	452-8000000-00-02	780-805	1500	brillant	transparent	0

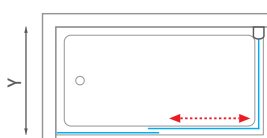


PXVB (atypical customized solution)

type	width (y)	height (h)	profile	glass	delivery method
PXVB	do 900 mm	up to 1500 mm	brillant	transparent	Z

- **PXVB** - universal LEFT and RIGHT solution

■ **PXV2L + PXVB**



■ **PXVB + PXV2L + PXVB**



Bath screens

practical supplement

polished profiles
and quality rollers



LLV2

bath screen with sliding door

- aluminium profiles and ball bearing rollers
- RothETC glass surface treatment
- all installation options:
along the wall, to a corner or to a niche



5 + 4 mm ESG Tempered glass
Transparent O2
5 mm door glass + 4 mm fixed panel



Profile colour
Brillant OO



LLV2 (bath screen with sliding door)

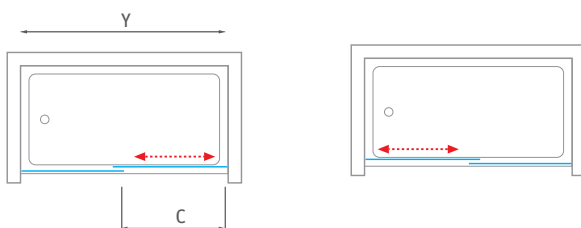
type	ordering No.	installation width (y)	height (h)	entrance (c)	profile	glass	delivery method
LLV2/1200	572-1200000-00-02	1170-1205	1500	485	brillant	transparent	S
LLV2/1400	572-1400000-00-02	1370-1405	1500	585	brillant	transparent	S
LLV2/1500	572-1500000-00-02	1470-1505	1500	685	brillant	transparent	S
LLV2/1600	572-1600000-00-02	1570-1605	1500	685	brillant	transparent	S

LLV2 (atypical customized solution)

type	width (y)	height (h)	profile	glass	delivery method
LLV2	up to 1800 mm	up to 1500 mm	brillant	transparent	Z



■ LLV2 - universal LEFT and RIGHT solution



■ Solid handle made out of polished stainless steel underlines the decent design of the series

technical solution
underlines the style



LLVB

bath side panel for LLV2

- safety glass with RothETC treatment
- standard height 1 500 mm



5 + 4 mm ESG Tempered glass
Transparent O2
5 mm door glass + 4 mm fixed panel



Profile colour
Brillant 00

LLVB (side panel)

type	ordering No.	installation width (y)	height (h)	profile	glass	delivery method
LLVB/700	573-7000000-00-02	679-705	1500	brillant	transparent	S
LLVB/750	573-7500000-00-02	729-755	1500	brillant	transparent	S
LLVB/800	573-8000000-00-02	779-805	1500	brillant	transparent	S
LLVB/900	573-9000000-00-02	879-905	1500	brillant	transparent	S

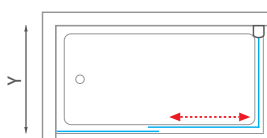


LLVB (atypical customized solution)

type	width (y)	height (h)	profile	glass	delivery method
LLVB	do 900 mm	up to 1500 mm	brillant	transparent	Z

- LLVB - universal LEFT and RIGHT solution

■ LLV2 + LLVB

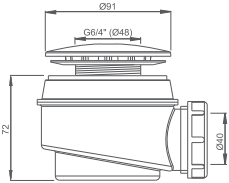


■ LLVB + LLV2 + LLVB

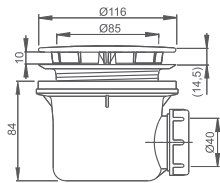


Accessories for trays and bathtubs

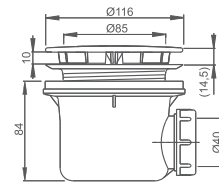
Shower tray siphons



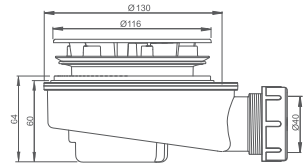
■ chrome-plastic Ø 50/60



■ chrome-plastic Ø 90



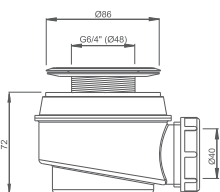
■ metal lux Ø 90



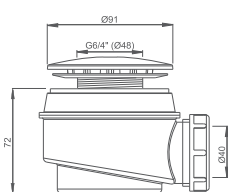
■ reduced chrome plastic Ø 90

Shower tray siphons

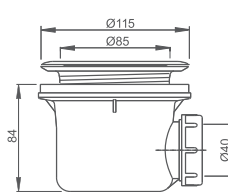
type	ordering No.	delivery method
SHOWER TRAY SIPHON - CHROME-PLASTIC Ø 50/60	8100002	S
SHOWER TRAY SIPHON - CHROME-PLASTIC Ø 90	8100016	S
SHOWER TRAY SIPHON - METAL LUX Ø 90	8100021	S
SHOWER TRAY SIPHON REDUCED - CHROME-PLASTIC Ø 90	8100034	S
SHOWER TRAY SIPHON - ST. STEEL GRID Ø 50/60	8100000	S
SHOWER TRAY SIPHON - WHITE PLASTIC Ø 50/60	8100001	S
SHOWER TRAY SIPHON - ST. STEEL GRID Ø 90	8100014	S
SHOWER TRAY SIPHON - WHITE PLASTIC Ø 90	8100015	S



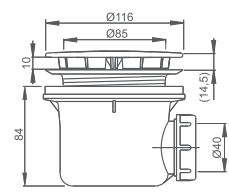
■ st. steel grid Ø 50/60



■ white plastic Ø 50/60

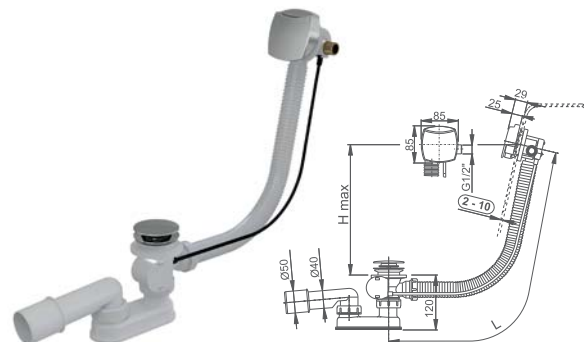
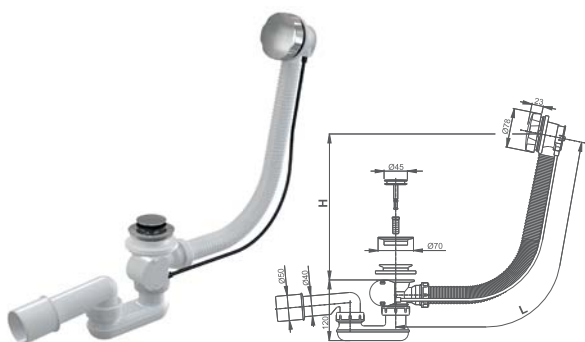


■ st. steel grid Ø 90



■ white plastic Ø 90

Bathtub siphons



■ automatic bathtub siphon

■ bathtub siphon with an overflow filling

Bathtub siphons		
type	ordering No.	delivery method
BATHTUB SIPHON COMPLETE - METAL (L=570 mm)	8100011	S
BATHTUB SIPHON WITH AN OVERFLOW FILLING (L=570 mm)	8100022	S

Bathtub legs EXCLUSIVE

Used as a supporting element to ensure a simple way to level the bathtub before its underwalling and paneling. Part of the leg package is also a set of mounts for fixing the bathtub to the wall.

Legs adjustability: 12–18 cm



Bathtub legs		
type	ordering No.	delivery method
BATHTUB LEGS EXCLUSIVE	5139300	S

Mounting kit for shower trays

Tray sealing system recommended by a producer.

CONTENTS: silicone sealant PROF1 – 310ml
covering strip 2x100 cm
self adhesive plastic foam belt
mounting instructions



Mounting kit		
type	ordering No.	delivery method
MOUNTING KIT FOR TRAYS	8010142	S

Special cleaners for surfaces care

Recommended agents for cleaning and renewing the surface of shower trays and bathtubs with regard to their material.
SOLID SURFACE CLEANER - designed for cast marble surfaces
ACRYLIC CLEANER - designed for acrylic shower trays and bathtubs

VOLUME: 500 ml



Cleaner for shower trays and bathtubs		
type	ordering No.	delivery method
SOLID SURFACE CLEANER	5139820	S
ACRYLIC CLEANER	5139830	S

Vinata®
shower cabins



CORNER



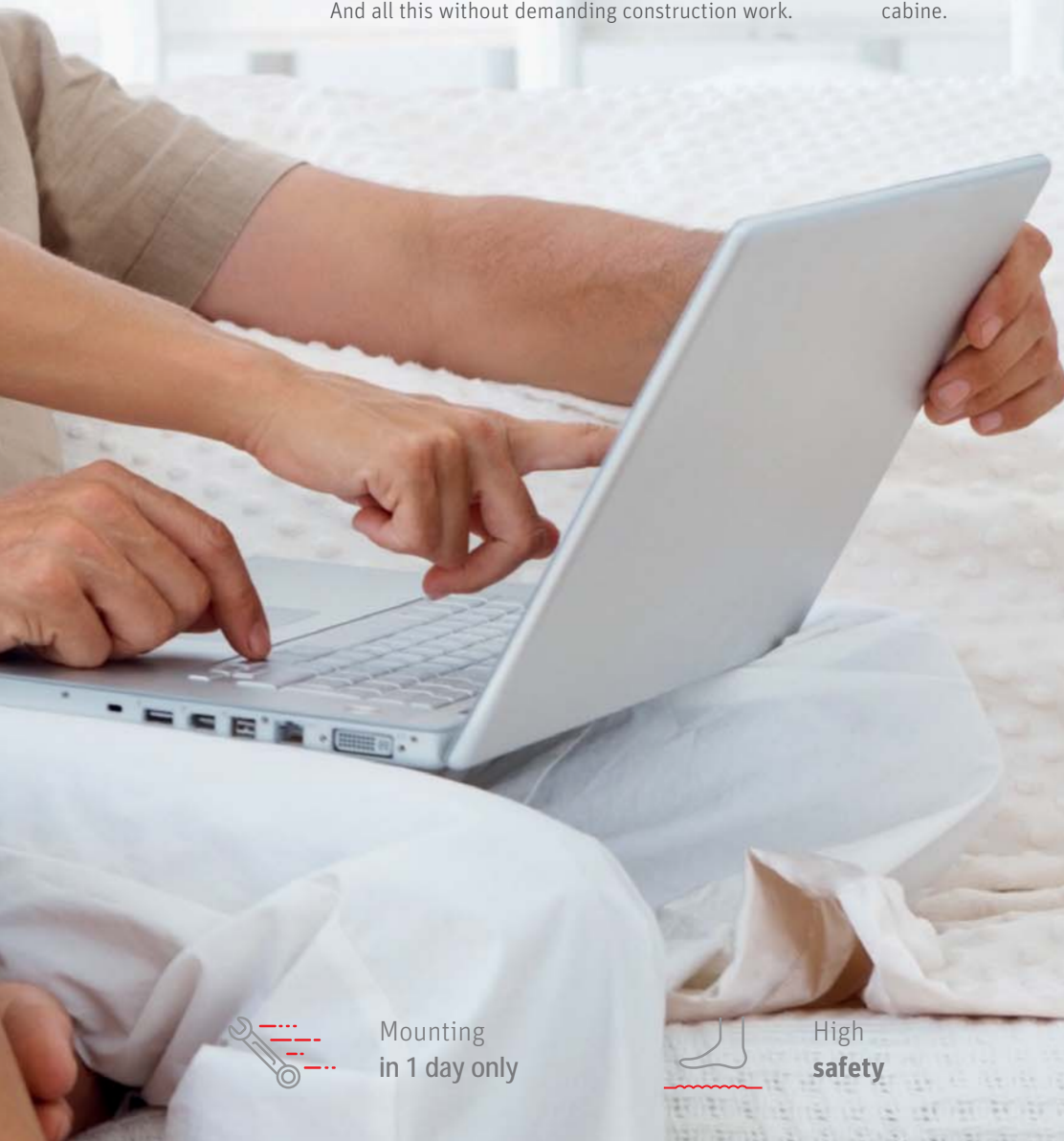
NICHE

Vinata®

Safe, comfortable and carefree solutions
for every generation

Vinata is designed specifically for the needs of people who no longer want to repeat the lengthy renovation of the bathroom while still wanting to replace the old bathtub with a safe and easily accessible shower. And all this without demanding construction work.

The cabine is a closed solution, so you just need to build it and connect it to the already established water and waste connection. Quality shower Hansgrohe set is part of the shower cabine.



Mounting
in 1 day only



High
safety



Equipment
Hansgrohe

Vinata®

comfortable



Hansgrohe

shower set with
thermostatic mixer

RothETC

all glasses
coated
for easy
maintenance

Design

glass and brilliant
aluminum finish

Seat

Large, folding
and elegantly designed
for maximum comfort

Handles

massive and safe
underline of the whole
solution

Safety

anti-slip finish of the tray
meets the requirements
of DIN 51097

Easy access

extra flat shower tray - height 3 cm
sliding doors with entry width 44.5-69.5 cm *
* according to the size of the complete cabine

Comfortable and Safe

shower cabine, which will appreciate not only seniors



Installation

- Corner or niche installation options
- Possibility to install the tray directly on the tiles (floor)
- Supporting adjustable legs are included, including a cover system



Vinata® Comfort

- Complete shower cabine with sliding doors
- Height - 2160 mm
- Width - 4 variants from 1200 to 1700 mm
- Depth - 3 variants from 700 to 900 mm
- Cast marble tray with certified non-slip finish and low step on edge (30 mm)
- Complete Hansgrohe shower set: thermostatic faucet, height-adjustable holder, hand shower, overhead shower, shelf
- Solid Safe Handle 2 pcs (for 1200 mm - 1 piece)
- 6 mm safety glass back panels in two colors White / Anthracite
- 6 mm safety glass sliding door in two designs Transparent / Flow
- All glasses are coated with **RothETC** for better protection against limescale
- As standard: practical footrest shelf ideal for legs or foot care in the shower
- Optional: Arsis seat set with spacious seat in White / Anthracite



■ Glass design FLOW

Vinata®

comfortable

Vinata® Spirit

- Complete shower cabine with sliding doors
- Height - 2160 mm
- Width - 4 variants from 1200 to 1700 mm
- Depth - 3 variants from 700 to 900 mm
- Cast marble tray with low step on edge - 30 mm
- Complete Hansgrohe shower set
thermostatic faucet, height-adjustable holder,
hand shower, overhead shower, shelf
- Solid Safe Handle 2 pcs
(for 1200 mm - 1 piece)
- 6 mm safety glass back panels
in two colors White / Anthracite
- 6 mm safety glass sliding door
in two designs Transparent / Flow
- All glasses are coated with **RothETC**
for better protection against limescale



**Comfortable
shower cabine**
for the whole
family



- Glass design FLOW






Installation

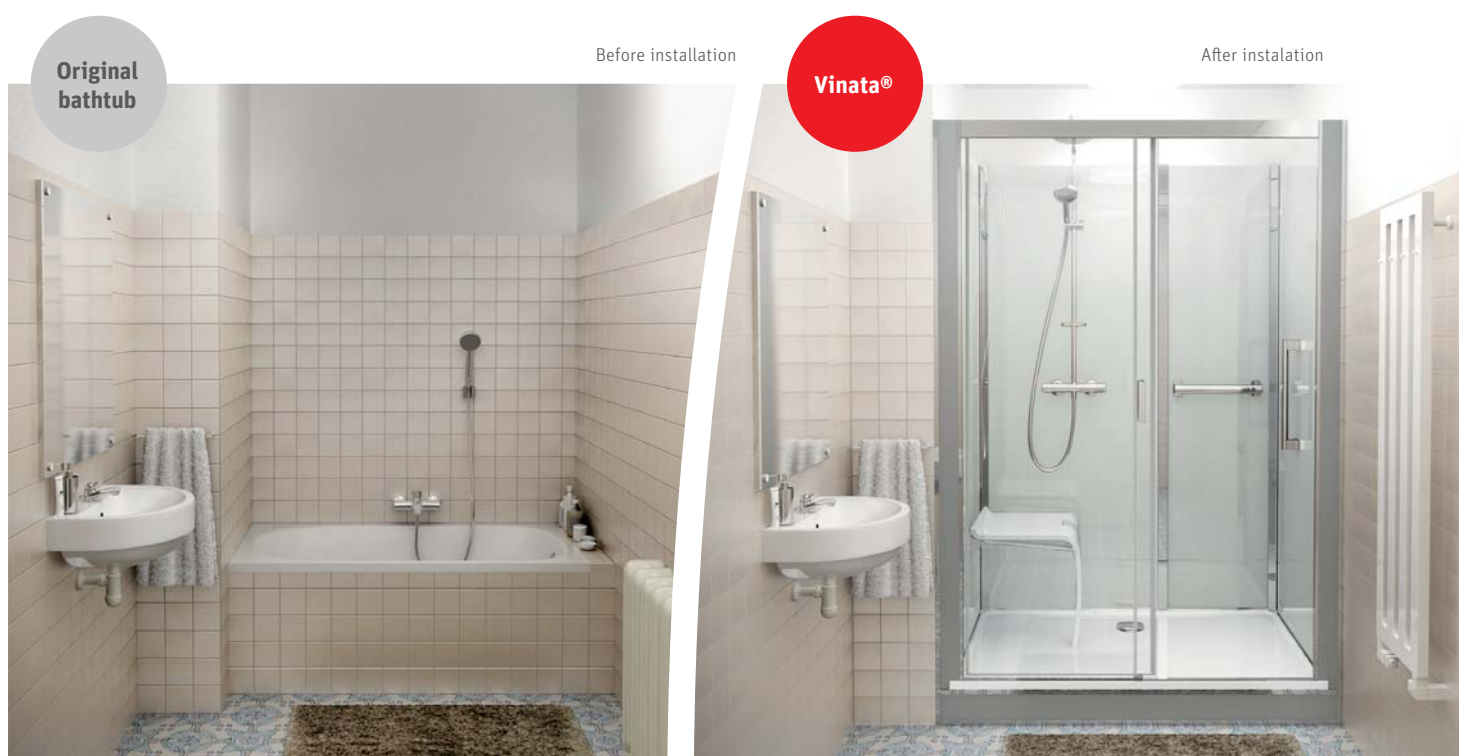


- Corner or niche installation options
- Possibility to install the tray directly on the tiles (floor)
- Supporting adjustable legs are included, including
a cover system



Specifications	Comfort	Spirit
Glass sliding door in Transparent or Flow design	✓	✓
Back glass walls in White or Anthracite	✓	✓
Sliding doors and rear walls treated with anti-scale RothETC	✓	✓
All glasses made from safety glass ESG - thickness 6 mm	✓	✓
Cast marble tray with low step on edge - 30 mm	✓	✓
Shower tray surface with certified anti-slip finish	✓	-
Solid internal handles in chrome finish 2 pcs (for model 1 200 mm - 1 piece)	✓	-
Shower set with thermostatic faucet Crometta 160 	✓	✓
Options for installation in a corner or for installation in a niche	✓	✓
3 variants of width from 1200 to 1700 mm	✓	✓
3 variants of depth from 700 to 900 mm	✓	✓
"Footrest" shelf Pellet 	✓	-
Foldable shower seat - optional 	✓*	-

* must be ordered separately



Vinata®

equipment / accessories



Complete Hansgrohe shower set

- Head shower, hand shower, shower thermostat, shower hose, slider, soap shelf
- Head shower Crometta 160 - size of shower head 160 mm
- Adjustable head shower angle, current type - Rain
- Thermostat Ecostat Universal
- Safety lock at 40 ° C



Handles

- Elegant and design shape
- Elliptical tube for better grip (38 × 25 mm)
- Corrosion resistant
- The primary material is aluminum in brilliant finishing

Practical shelf

- Ideal for taking care of your legs or feet in the shower: no risk of slipping!
- It can be easily released to allow mounting of the ARSIS seat
- Multifunctional: also used for hygiene products
- Made of White / Anthracite polymer



ARSIS seat

- Cast 450 mm White or Anthracite Polymer Seat
- Aluminum construction (tube Ø 25 mm)
Locking position, lock resistant to unintentional movement
- Can be disconnected from the wall holder for easy cleaning
- Innovative and unique product:
can be released to allow the shelf to be mounted
- Large seat with elegant design for maximum comfort
- An ideal concept for conversion of shower into a safe area



Vinata® Comfort - corner

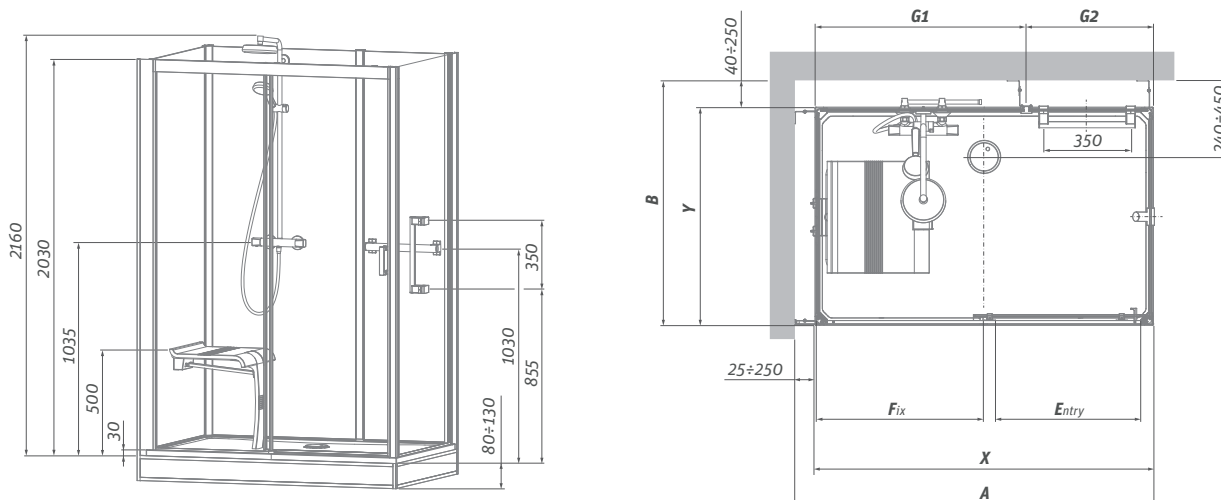
Technical specifications + price list



■ Technical specification Vinata® Comfort - corner

Height* [mm]	Dimension [mm]	ESG back Walls - White Sliding Door - Transparent	ESG back Walls - White Sliding Door - Flow	ESG back Walls - Anthracite Sliding Door - Transparent	ESG back Walls - Anthracite Sliding Door - Flow
		Ordering number	Ordering number	Ordering number	Ordering number
2160	1160 × 677	1416000297	1416000764	1416000299	1416000765
2160	1160 × 777	1416000301	1416000766	1416000303	1416000767
2160	1160 × 877	1416000305	1416000768	1416000307	1416000769
2160	1360 × 677	1416000309	1416000770	1416000311	1416000771
2160	1360 × 777	1416000313	1416000772	1416000315	1416000773
2160	1360 × 877	1416000013	1416000774	1416000016	1416000775
2160	1560 × 677	1416000317	1416000776	1416000319	1416000777
2160	1560 × 777	1416000321	1416000778	1416000323	1416000779
2160	1560 × 877	1416000325	1416000780	1416000327	1416000781
2160	1660 × 677	1416000329	1416000782	1416000331	1416000783
2160	1660 × 777	1416000333	1416000784	1416000335	1416000785
2160	1660 × 877	1416000337	1416000786	1416000339	1416000787

* from the bottom of the tray to the top of the shower



Dimension	X	Y	E	F	G1	G2	A	B
1160 × 677	1160	677	445	475	1160	-	1185-1410	717-927
1360 × 677	1360	677	545	675	850	510	1385-1610	717-927
1560 × 677	1560	677	645	875	850	710	1585-1810	717-927
1660 × 677	1660	677	695	975	850	810	1685-1910	717-927
1160 × 777	1160	777	445	475	1160	-	1185-1410	817-1027
1360 × 777	1360	777	545	675	850	510	1385-1610	817-1027
1560 × 777	1560	777	645	875	850	710	1585-1810	817-1027
1660 × 777	1660	777	695	975	850	810	1685-1910	817-1027
1160 × 877	1160	877	445	475	1160	-	1185-1410	917-1127
1360 × 877	1360	877	545	675	850	510	1385-1610	917-1127
1560 × 877	1560	877	645	875	850	710	1585-1810	917-1127
1660 × 877	1660	877	695	975	850	810	1685-1910	917-1127

Vinata® Comfort - niche

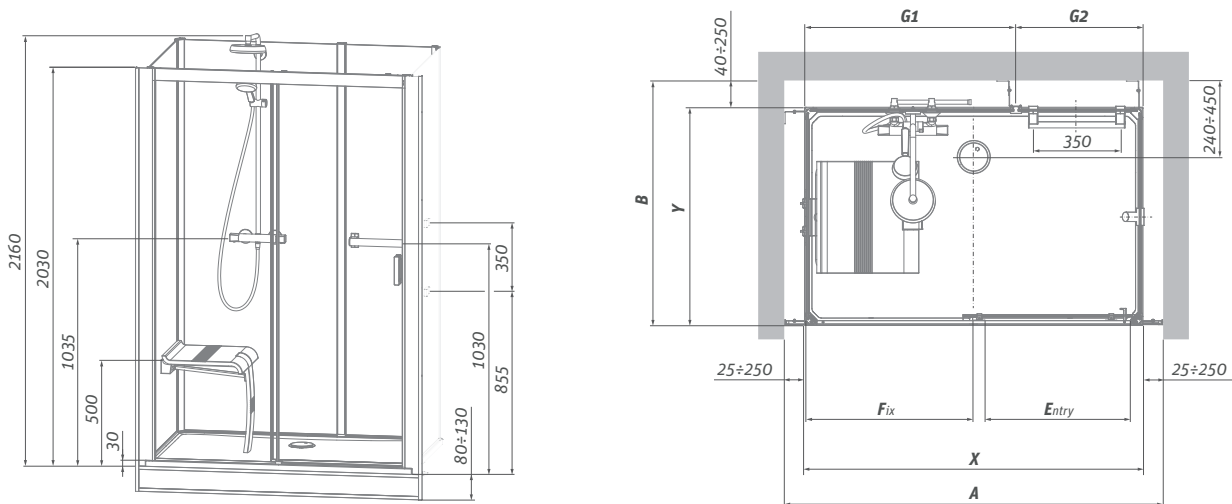
Technical specifications + price list



■ Technical specification Vinata® Comfort - niche

Height* [mm]	Dimension [mm]	ESG back Walls - White Sliding Door - Transparent	ESG back Walls - White Sliding Door - Flow	ESG back Walls - Anthracite Sliding Door - Transparent	ESG back Walls - Anthracite Sliding Door - Flow
		Ordering number	Ordering number	Ordering number	Ordering number
2160	1160 × 677	1416000341	1416000788	1416000343	1416000789
2160	1160 × 777	1416000345	1416000790	1416000347	1416000791
2160	1160 × 877	1416000349	1416000792	1416000351	1416000793
2160	1360 × 677	1416000353	1416000794	1416000355	1416000795
2160	1360 × 777	1416000357	1416000796	1416000359	1416000797
2160	1360 × 877	1416000361	1416000798	1416000363	1416000799
2160	1560 × 677	1416000365	1416000800	1416000367	1416000801
2160	1560 × 777	1416000369	1416000802	1416000371	1416000803
2160	1560 × 877	1416000373	1416000804	1416000375	1416000805
2160	1660 × 677	1416000377	1416000806	1416000379	1416000807
2160	1660 × 777	1416000381	1416000808	1416000383	1416000809
2160	1660 × 877	1416000385	1416000810	1416000387	1416000811

* from the bottom of the tray to the top of the shower



Dimension	X	Y	E	F	G1	G2	A	B
1160 × 677	1160	677	445	475	1160	-	1210-1660	717-927
1360 × 677	1360	677	545	675	850	510	1410-1860	717-927
1560 × 677	1560	677	645	875	850	710	1610-2060	717-927
1660 × 677	1660	677	695	975	850	810	1710-2160	717-927
1160 × 777	1160	777	445	475	1160	-	1210-1660	817-1027
1360 × 777	1360	777	545	675	850	510	1410-1860	817-1027
1560 × 777	1560	777	645	875	850	710	1610-2060	817-1027
1660 × 777	1660	777	695	975	850	810	1710-2160	817-1027
1160 × 877	1160	877	445	475	1160	-	1210-1660	917-1127
1360 × 877	1360	877	545	675	850	510	1410-1860	917-1127
1560 × 877	1560	877	645	875	850	710	1610-2060	917-1127
1660 × 877	1660	877	695	975	850	810	1710-2160	917-1127

Vinata® Spirit - corner

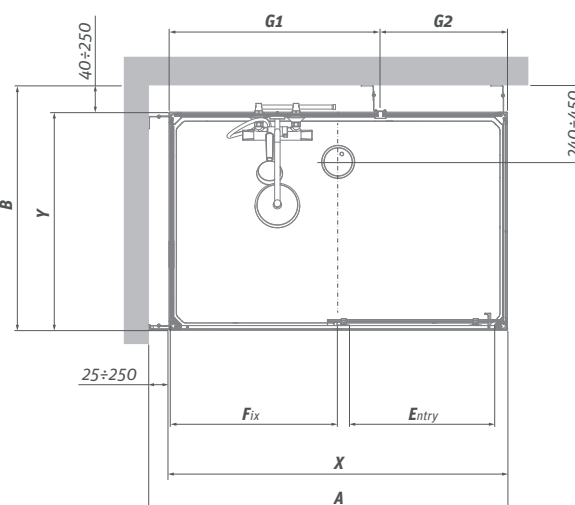
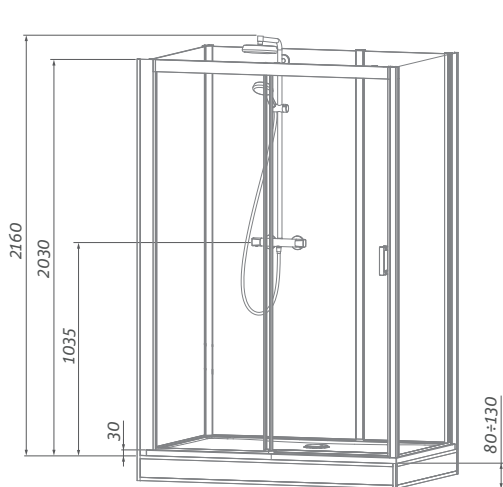
Technical specifications + price list



■ Technical specification Vinata® Spirit - corner

Height* [mm]	Dimension [mm]	ESG back Walls - White Sliding Door - Transparent	ESG back Walls - White Sliding Door - Flow	ESG back Walls - Anthracite Sliding Door - Transparent	ESG back Walls - Anthracite Sliding Door - Flow
		Ordering number	Ordering number	Ordering number	Ordering number
2160	1160 × 677	1416000003	1416000620	1416000005	1416000621
2160	1160 × 777	1416000007	1416000622	1416000009	1416000623
2160	1160 × 877	1416000021	1416000624	1416000023	1416000625
2160	1360 × 677	1416000025	1416000626	1416000027	1416000627
2160	1360 × 777	1416000029	1416000628	1416000031	1416000629
2160	1360 × 877	1416000010	1416000630	1416000012	1416000631
2160	1560 × 677	1416000033	1416000632	1416000035	1416000633
2160	1560 × 777	1416000037	1416000634	1416000039	1416000635
2160	1560 × 877	1416000041	1416000636	1416000043	1416000637
2160	1660 × 677	1416000045	1416000638	1416000047	1416000639
2160	1660 × 777	1416000049	1416000640	1416000051	1416000641
2160	1660 × 877	1416000053	1416000642	1416000055	1416000643

* from the bottom of the tray to the top of the shower



Dimension	X	Y	E	F	G1	G2	A	B
1160 × 677	1160	677	445	475	1160	-	1185-1410	717-927
1360 × 677	1360	677	545	675	850	510	1385-1610	717-927
1560 × 677	1560	677	645	875	850	710	1585-1810	717-927
1660 × 677	1660	677	695	975	850	810	1685-1910	717-927
1160 × 777	1160	777	445	475	1160	-	1185-1410	817-1027
1360 × 777	1360	777	545	675	850	510	1385-1610	817-1027
1560 × 777	1560	777	645	875	850	710	1585-1810	817-1027
1660 × 777	1660	777	695	975	850	810	1685-1910	817-1027
1160 × 877	1160	877	445	475	1160	-	1185-1410	917-1127
1360 × 877	1360	877	545	675	850	510	1385-1610	917-1127
1560 × 877	1560	877	645	875	850	710	1585-1810	917-1127
1660 × 877	1660	877	695	975	850	810	1685-1910	917-1127

Vinata® Spirit - niche

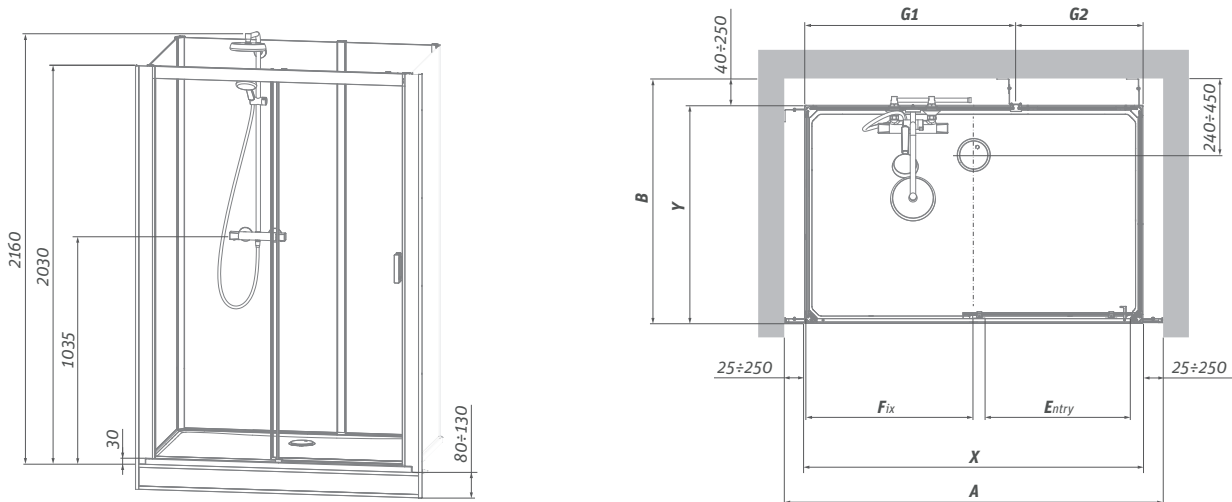
Technical specifications + price list



■ Technical specification Vinata® Spirit - niche

Height* [mm]	Dimension [mm]	ESG back Walls - White Sliding Door - Transparent	ESG back Walls - White Sliding Door - Flow	ESG back Walls - Anthracite Sliding Door - Transparent	ESG back Walls - Anthracite Sliding Door - Flow
		Ordering number	Ordering number	Ordering number	Ordering number
2160	1160 × 677	1416000057	1416000644	1416000059	1416000645
2160	1160 × 777	1416000061	1416000646	1416000063	1416000647
2160	1160 × 877	1416000065	1416000648	1416000067	1416000649
2160	1360 × 677	1416000069	1416000650	1416000071	1416000651
2160	1360 × 777	1416000073	1416000652	1416000075	1416000653
2160	1360 × 877	1416000077	1416000654	1416000079	1416000655
2160	1560 × 677	1416000081	1416000656	1416000083	1416000657
2160	1560 × 777	1416000085	1416000658	1416000087	1416000659
2160	1560 × 877	1416000089	1416000660	1416000091	1416000661
2160	1660 × 677	1416000093	1416000662	1416000095	1416000663
2160	1660 × 777	1416000097	1416000664	1416000099	1416000665
2160	1660 × 877	1416000101	1416000666	1416000103	1416000667

* from the bottom of the tray to the top of the shower



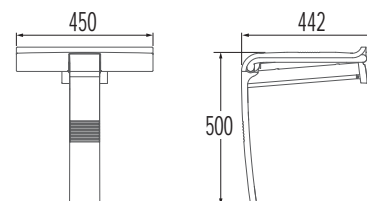
Dimension	X	Y	E	F	G1	G2	A	B
1160 × 677	1160	677	445	475	1160	-	1210-1660	717-927
1360 × 677	1360	677	545	675	850	510	1410-1860	717-927
1560 × 677	1560	677	645	875	850	710	1610-2060	717-927
1660 × 677	1660	677	695	975	850	810	1710-2160	717-927
1160 × 777	1160	777	445	475	1160	-	1210-1660	817-1027
1360 × 777	1360	777	545	675	850	510	1410-1860	817-1027
1560 × 777	1560	777	645	875	850	710	1610-2060	817-1027
1660 × 777	1660	777	695	975	850	810	1710-2160	817-1027
1160 × 877	1160	877	445	475	1160	-	1210-1660	917-1127
1360 × 877	1360	877	545	675	850	510	1410-1860	917-1127
1560 × 877	1560	877	645	875	850	710	1610-2060	917-1127
1660 × 877	1660	877	695	975	850	810	1710-2160	917-1127

Vinata® Comfort - accessories

Technical specifications + price list

■ Technical specifications Vinata® seat

Vinata® Comfort folding seat Roth		
Color	Dimension	Ordering number
WHITE	442 × 450 × 500	1135009092
ANTRACITE	442 × 450 × 500	1135009093



Vipanel
cladding panels

Inspiration
for individual
bathroom design

VIPANEL

Roth has been an expert in the bathroom industry for over 50 years and we are pleased to introduce our new VIPANEL wall panels, which easily adjust the shower area and bathroom in both new and refurbished areas.



Easy
installation



11 different
decors



3 mm

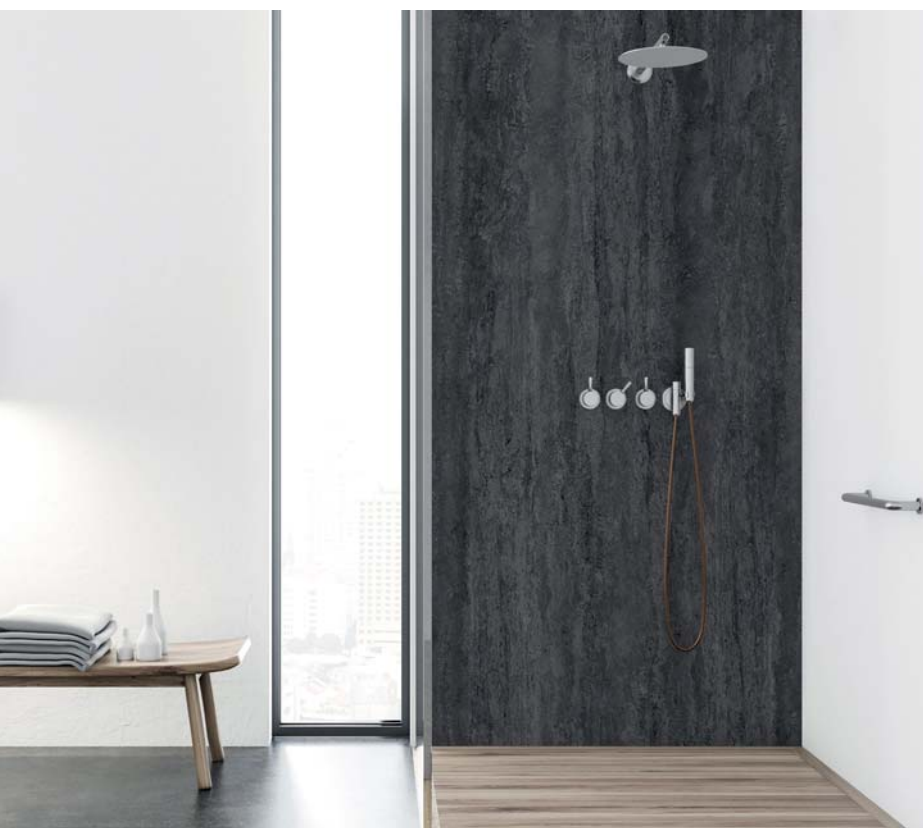
Lightweight and durable
aluminium composite panels



VIPANEL

Make the old shower area a new quickly and easily!

- > for new construction and reconstruction
- > jointless cladding - easy maintenance
- > gives a new look to old tiles





■ **Roth Vipanel - modern and innovative**

Today's bathrooms are individually oriented towards their users. Whether it's the size of the room, its equipment or the overall look. With the new Roth Vipanel design boards, you can create your resting place easily and precisely by your ideas.

Large-format boards are lightweight and easy to stick to the wall. Whether on existing tiles for modernization and partial renovation, or directly on plaster (plasterboard) in new buildings.

There are no creative limits with Vipanel. So you can easily bring architectural and life trends into your bathroom.



VIPANEL

cladding panels in wood decor



Wood - Oak



Wood - Maple



Wood - Teak

- easy-care aluminum composite panels guarantee perfect tightness of the walls
- you can choose from three attractive wood decors

- Vipanel is very easy to clean thanks to its surface finish and in conjunction with jointless panel laying creates a perfectly clean environment for your shower space or the entire bathroom

■ Technical specifications Vipanel WOOD

Width [mm]	Height [mm]	Thickness [mm]	Area [m ²]	WOOD OAK E014238-00	WOOD MAPLE E013002-01	WOOD TEAK E016075-01
				Order No.	Order No.	Order No.
1000	2100	3	2,100	1420000000	1420000009	1420000005
1500	2550	3	3,825	1420000003	1420000011	1420000007

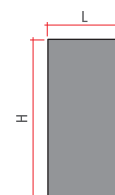
goods IN STOCK

delivery at the earliest possible date



• possibility of using the finishing bars

dimensions:
(L) 1000 × (H) 2100 mm
(L) 1500 × (H) 2550 mm



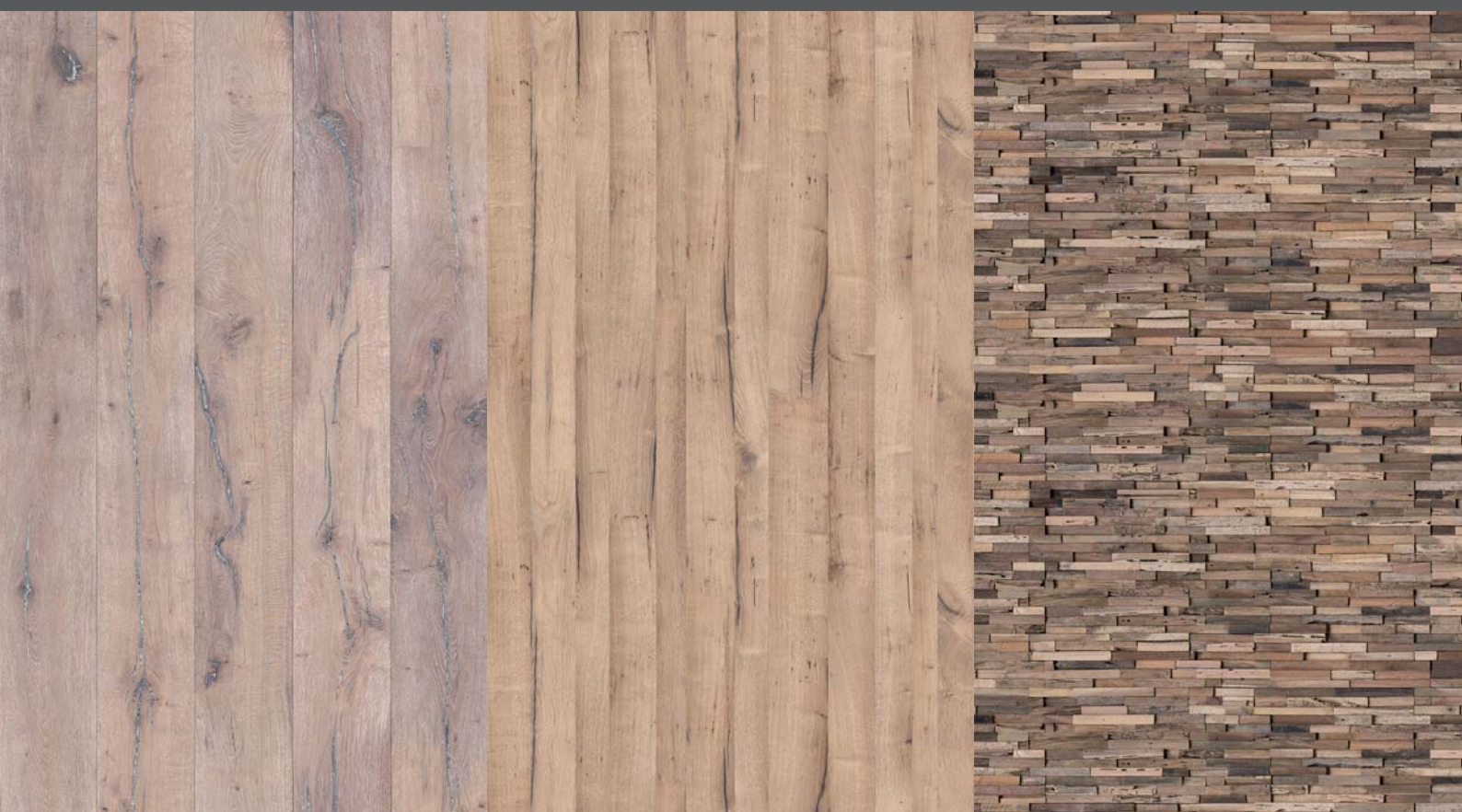
board thickness 3 mm



Wood - Oak

Wood - Maple

Wood - Teak



VIPANEL

cladding panels in stone decor



Stone - Grey



Stone - Beige



Stone - Black

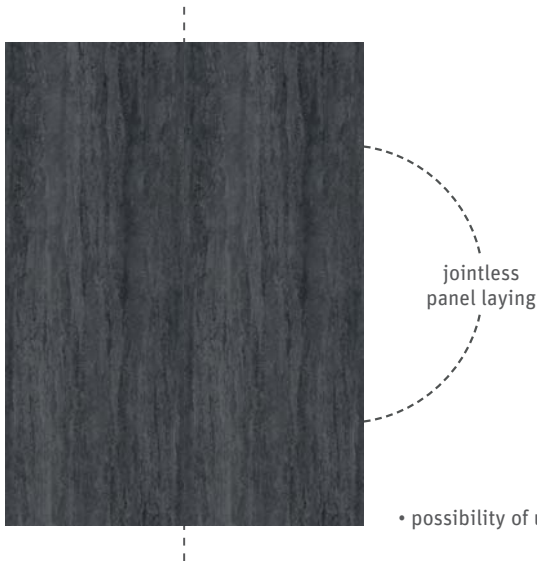
- with concrete decors you can easily replace large-format tiles
- we emphasize the design of patterns and surface textures that are indistinguishable from real materials thanks to special 3D technology

■ Technical specifications Vipanel STONE

Width [mm]	Height [mm]	Thickness [mm]	Area [m ²]	STONE BEIGE E017035-00	STONE GREY E017035-02	STONE BLACK E017088-05
				Order No.	Order No.	Order No.
1000	2100	3	2,100	1420000037	1420000033	1420000041
1500	2550	3	3,825	1420000039	1420000035	1420000043

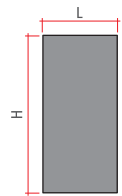
goods IN STOCK

delivery at the earliest possible date



• possibility of using the finishing bars

dimensions:
(L) 1000 × (H) 2100 mm
(L) 1500 × (H) 2550 mm



board thickness 3 mm



Stone - Beige

Stone - Grey

Stone - Black



VIPANEL

cladding panels in concrete decor



Concrete - Black



Concrete - Anthracite



Concrete - Grey

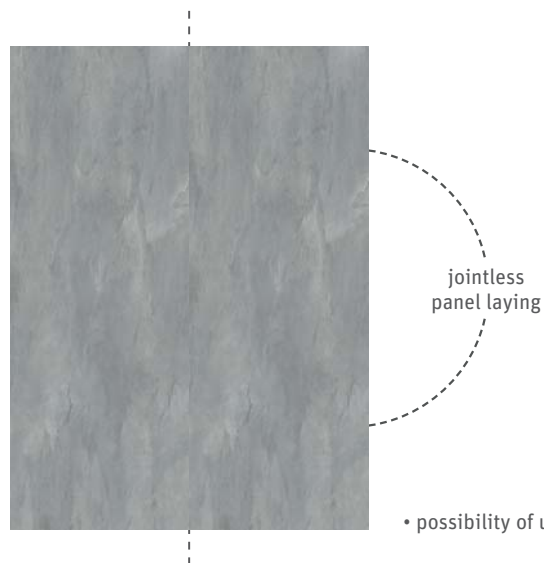
- the modern screed design can be easily transferred to your bathroom, with a choice of three shades
- Vipanel easily adapts to all bathroom configurations and offers a clean and jointless design thanks to installation with no profile

■ Technical specifications Vipanel CONCRETE

Width [mm]	Height [mm]	Thickness [mm]	Area [m ²]	CONCRETE BLACK E016076-02	CONCRETE ANTHRA- CITE E016077-01	CONCRETE GREY E014140-00
				Order No.	Order No.	Order No.
1000	2100	3	2,100	1420000029	1420000025	1420000021
1500	2550	3	3,825	1420000031	1420000027	1420000023

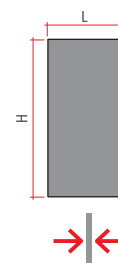
goods IN STOCK

delivery at the earliest possible date



• possibility of using the finishing bars

dimensions:
(L) 1000 × (H) 2100 mm
(L) 1500 × (H) 2550 mm



board thickness 3 mm

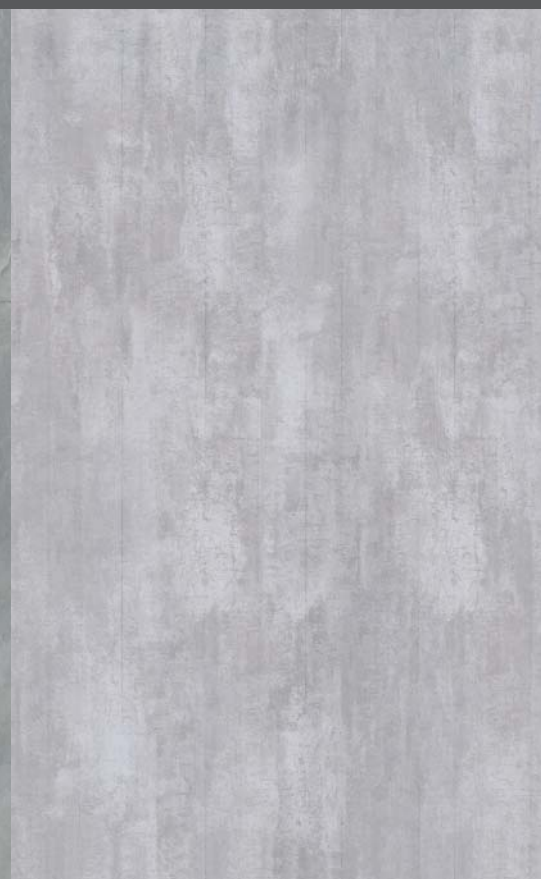
Concrete - Black



Concrete - Anthracite



Concrete - Grey

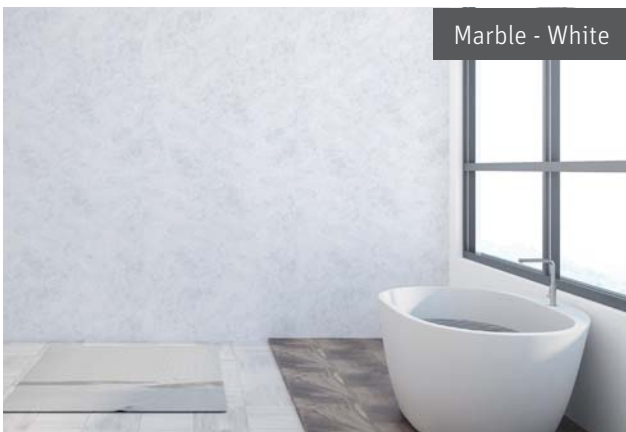


VIPANEL

cladding panels in marble decor



Marble - Beige



Marble - White

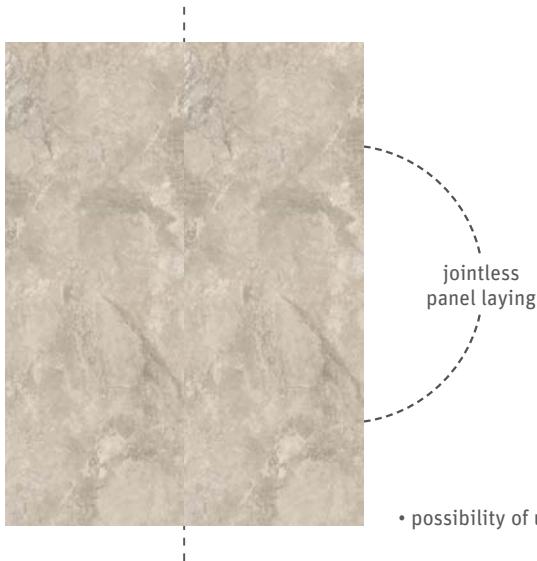
- construction boards have a thickness of three millimetres and are available in heights of 2100 and 2550 millimetres and widths of 1000 and 1500 millimetres
- the dimensions are easy to cut to any size, giving you a distinctive look of your bathroom
- by installation in a corner shower, niche, space above the bathtub, behind a shower or sink you will save your time and money

■ Technical specifications Vipanel MARBLE

Width [mm]	Height [mm]	Thickness [mm]	Area [m ²]	MARBLE BEIGE E017004-01	MARBLE WHITE E13073-00
				Order No.	Order No.
1000	2100	3	2,100	1420000017	1420000013
1500	2550	3	3,825	1420000019	1420000015

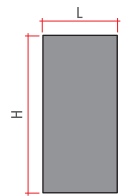
goods IN STOCK

delivery at the earliest possible date



• possibility of using the finishing bars

dimensions:
(L) 1000 × (H) 2100 mm
(L) 1500 × (H) 2550 mm



board thickness 3 mm



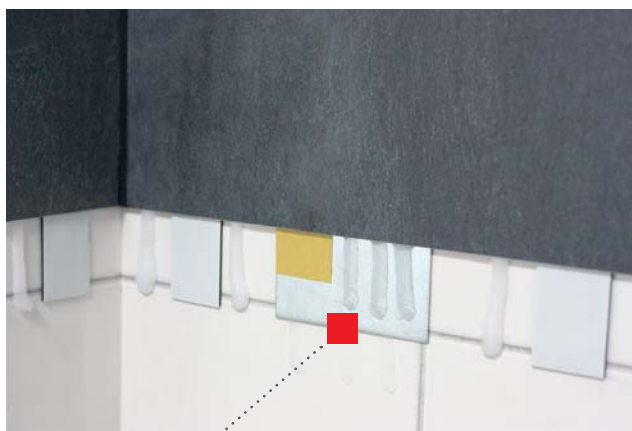
Marble - Beige

Marble - White



VIPANEL

accessories



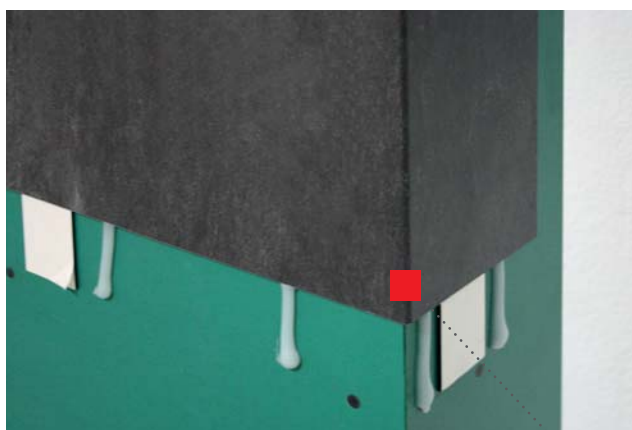
Connecting plate

serves to ensure an even junction of two boards



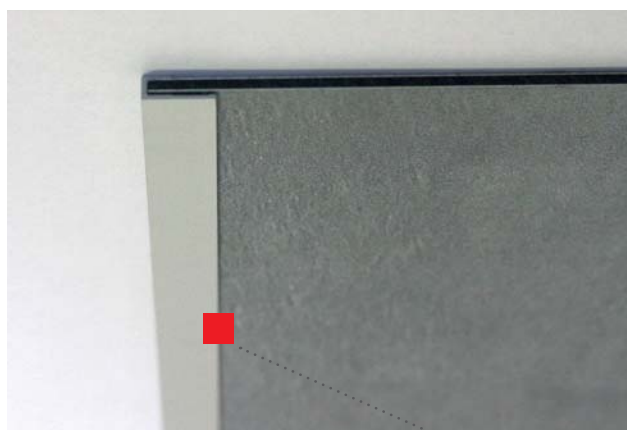
Magnetic clip

a tool for ensuring a perfect jointless connection of two boards



Outer edge

created after milling the V-shaped groove on the back of the board



Finishing bar

aluminum finishing bar in Elox surface finish of 15 mm wide

■ Technical specifications Vipanel accessories

Description	Dimensions [mm]	Colour	Accessories
			Order No.
Connecting steel plate	3 000 × 100 × 1	natural	1420000050
Magnetic clip	—	—	1420000049
Finishing bar	3 000 × 15 × 6	silver (elox)	1420000045

■ Data sheet Vipanel



Material

- Aluminum composite panel with two 0.2 mm thick cladding layers and LDPE polyethylene core
- Weight 3,80 kg / m² (3 mm)
- Temperature resistance -50° C až +80° C
- Water absorption 0,01 % according to DIN 53495
- Fire classification class B2 according to DIN 4102-1
- High bending strength and dimensional stability

Working

Roth Vipanel can be machined using the usual tools for working with wood and metal (jigsaw, circular saw, cordless screwdriver with steel drill, top cutter, etc.)

Technical data / Mechanical properties

board thickness (total)	3 [mm]
thickness of cladding layer (aluminum)	0,2 - 0,3 [mm]
bending strength	865 [kNcm ² /m]
modulus of elasticity	70 000 [N/mm ²]
linear expansion coefficient	2,4 [mm/m/100°C]
water absorption according to DIN 53495	0,01 [%]
weight	0,2 - 0,3 mm [kg/m ²]
tensile strength of the cover plate	RP 0,2 > 200 [N/mm ²]

Project Line project solutions

inspiration for unusual
shower area solutions

EI TWF

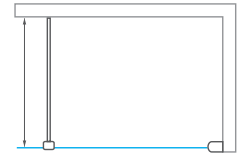
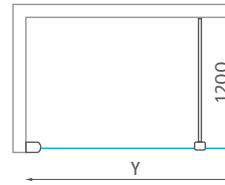
large frameless shower screen



6 mm ESG Tempered glass
Transparent



Profile colour
Brillant



■ universal LEFT and RIGHT solution

EI TWF (large frameless shower screen)

type	ordering No.	installation width (y)	height (h)	entrance (c)	profile	glass	delivery method
EI TWF/800	EI TWF 08020 VPE	770-790	2007*	—	brillant	transparent	S
EI TWF/900	EI TWF 09020 VPE	870-890	2007*	—	brillant	transparent	S
EI TWF/1000	EI TWF 10020 VPE	970-990	2007*	—	brillant	transparent	S
EI TWF/1200	EI TWF 12020 VPE	1170-1190	2007*	—	brillant	transparent	S
EI TWF/1400	EI TWF 14020 VPE	1370-1390	2007*	—	brillant	transparent	S

h* - height including supporting elements



■ EI TWF



■ Support bar in Chrom / Brillant finish
(maximum length 1 200 mm)



■ Flexible support bar allows the setting of different
angles and can solve the wall inaccuracies

EI TWA

folding part to product EI TWF



the short folding part serves as a screen against water splashes



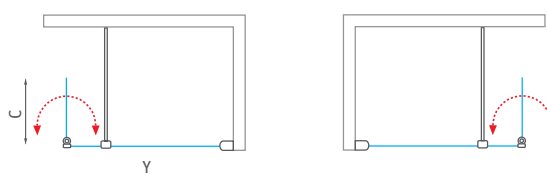
EI TWP

telescopic strut for mounting to the ceiling



■ Telescopic stabilizing element mounted to the ceiling designed for the EI TWF shower screen - maximum strut height 3 000 mm

■ EI TWF + EI TWA - universal LEFT and RIGHT solution



6 mm ESG Tempered glass
Transparent



Profile colour
Brillant

EI TWF / EI TWP

type	ordering No.	installation width (y)	height (h)	profile	glass	delivery method
EI TWA/400	EI TWA 04020 VPE	390	2000	brillant	transparent	S
EI TWP	EI TWP 3000 VE	—	max 3000 mm	brillant	—	S

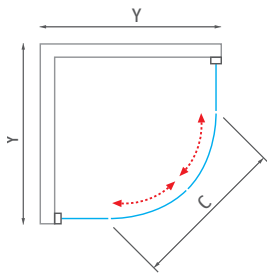


The EI TWP telescopic strut can also be used for self standing side panels with 6 mm safety glass - we therefore recommend it in combination with the following products: TBD, TBS, GBL(P), PXV1

Project Line
project solutions

HOUSTON NEO

quadrant shower enclosure
with two sliding doors



PORTLAND NEO

quadrant shower enclosure
with two sliding doors for combination
with SEMIDEEP NEO or VIKI LUX shower trays

- R - standard radius R550
- Ball bearing rollers with bottom tilt function



4 mm ESG Tempered glass
Matt Glass



Profile colour
Brillant

HOUSTON NEO / PORTLAND NEO

type	ordering No.	installation width (y)	height (h)	entrance (c)	profile	glass	delivery method
HOUSTON NEO 800	N0648	780-790	1900	420	brillant	matt glass	S
HOUSTON NEO 900	N0649	880-890	1900	550	brillant	matt glass	S
PORTLAND NEO 800	N0656	780-790	1650	420	brillant	matt glass	S
PORTLAND NEO 900	N0657	880-890	1650	550	brillant	matt glass	S

ORLANDO NEO

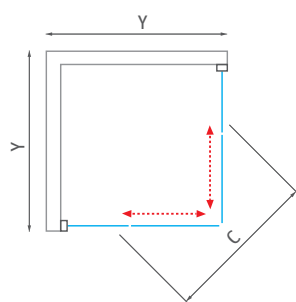
square shower enclosure with two sliding doors



4 mm ESG Tempered glass
Matt Glass



Profile colour
Brillant



ORLANDO NEO

type	ordering No.	installation width (y)	height (h)	entrance (c)	profile	glass	delivery method
ORLANDO NEO 800	N0654	780-790	1900	415	brillant	matt glass	S
ORLANDO NEO 900	N0655	880-890	1900	485	brillant	matt glass	S

■ Ball bearing rollers with a bottom tilt function



Project Line

project solutions

AUSTIN

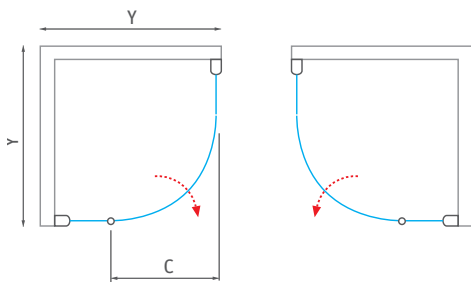
quadrant shower enclosure
with single opening door



6 mm ESG Tempered glass
Pattern



Profile colour
Silver



DENVER

quadrant shower enclosure
with single opening door



6 mm ESG Tempered glass
Rauch



Profile colour
Silver



- R - standard radius R550
- Universal LEFT and RIGHT solution

AUSTIN / DENVER							
type	ordering No.	installation width (y)	height (h)	entrance width (c)	profile	glass	delivery method
AUSTIN 800	N0128	780-800	1950	590	silver	pattern	S
AUSTIN 900	N0018	880-900	1950	590	silver	pattern	S
DENVER 800	N0268	780-800	1950	590	silver	rauch	S
DENVER 900	N0269	880-900	1950	590	silver	rauch	S

LD3 / LSB

sliding shower door for niche installation
or for combination with a side panel LSB

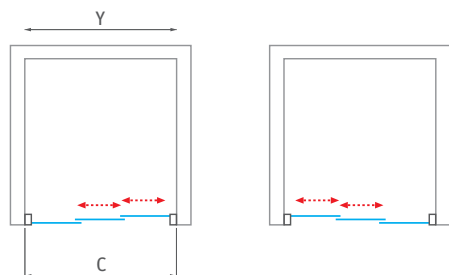


3 mm ESG Tempered glass
Grape 11
3 mm polystyrol **Damp 04**



Profile colour
White 04

■ **LD3** - universal LEFT and RIGHT solution



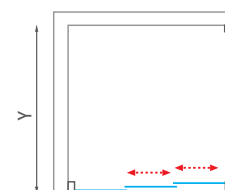
LD3 (sliding shower door) / LSB (side panel)

type	ordering No.	installation width (y)	height (h)	entrance (c)	profile	glass	delivery method
LD3/800	215-8000000-04-04	760-820	1800	400	white	damp	S
LD3/800	215-8000000-04-11	760-820	1800	400	white	grape	S
LD3/900	215-9000000-04-04	880-940	1800	480	white	damp	S
LD3/900	215-9000000-04-11	880-940	1800	480	white	grape	S
LD3/950	215-9500000-04-04	940-1000	1800	520	white	damp	S
LD3/950	215-9500000-04-11	940-1000	1800	520	white	grape	S
LSB/750	216-7500000-04-04	740-800	1800	—	white	damp	0
LSB/750	216-7500000-04-11	740-800	1800	—	white	grape	0
LSB/850	216-8500000-04-04	800-860	1800	—	white	damp	0
LSB/850	216-8500000-04-11	800-860	1800	—	white	grape	0
LSB/900	216-9000000-04-04	860-920	1800	—	white	damp	S
LSB/900	216-9000000-04-11	860-920	1800	—	white	grape	0

* LSB cannot be used as a self-standing side panel



■ **LD3 + LSB**



Project Line

project solutions

OBR2

quadrant shower enclosure with two sliding doors



6 mm ESG Tempered glass
Transparent



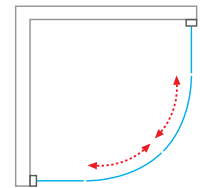
Profile colour
Brillant



OBR2

type	ordering No.	installation width (y)	height (h)	entrance (c)	profile	glass	delivery method
OBR2/800	4000701	775-790	1850	440	brillant	transparent	S
OBR2/900	4000702	875-890	1850	540	brillant	transparent	S

Ball bearing rollers with bottom tilt function / Standard radius: R 550 mm



OBS2

square shower enclosure with two sliding doors



4 mm ESG Tempered glass
Transparent



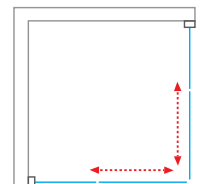
Profile colour
Brillant



OBS2

type	ordering No.	installation width (y)	height (h)	entrance (c)	profile	glass	delivery method
OBS2/800	4000703	775-790	1850	480	brillant	transparent	S
OBS2/900	4000704	875-890	1850	480	brillant	transparent	S

Ball bearing rollers with bottom tilt function



OBD2

sliding shower door to niche or for combination with a side panel OBB



6 mm ESG Tempered glass
Transparent



Profile colour
Brillant



OBD2

type	ordering No.	installation width (y)	height (h)	entrance (c)	profile	glass	delivery method
OBD2/1000	4000705	980-1010	1850	390	brillant	transparent	S
OBD2/1200	4000706	1180-1210	1850	490	brillant	transparent	S
OBD2/1400	4000707	1380-1410	1850	590	brillant	transparent	S

Ball bearing rollers with bottom tilt function / Universal LEFT and RIGHT solution



OBD01

single opening door to a niche or for combination with a side panel OBB



4 mm ESG Tempered glass
Transparent



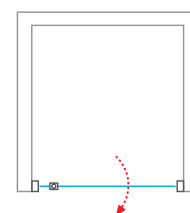
Profile colour
Brillant



OBD01

type	ordering No.	installation width (y)	height (h)	entrance (c)	profile	glass	delivery method
OBD01/800	4000708	780-810	1850	520	brillant	transparent	S
OBD01/900	4000709	880-910	1850	620	brillant	transparent	S
OBD01/1000	4000710	980-1010	1850	720	brillant	transparent	S

Universal LEFT and RIGHT solution



Project Line

project solutions

OBB

side panel for combination with OBD2 or OBD01 door



4 mm ESG Tempered glass
Transparent



Profile colour
Brilliant

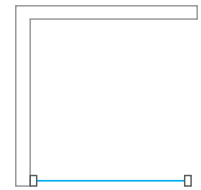
■ Installation width with OBD2 or OBD01

Combination	Installation width
OBD2/1000+OBB	985-1000
OBD2/1200+OBB	1185-1200
OBD2/1400+OBB	1385-1400
OBD01/800+OBB	785-800
OBD01/900+OBB	885-900
OBD01/1000+OBB	985-1000



OBB							
type	ordering No.	installation width (y)	height (h)	entrance (c)	profile	glass	delivery method
OBB/800	4000711	785-800	1850	—	brillant	transparent	S
OBB/900	4000712	885-900	1850	—	brillant	transparent	S

Universal LEFT and RIGHT solution / OBB cannot be used as a self-standing side panel



NEW variants with black profile

OBZD2 / OBZB

sliding shower door to niche or for combination with a side panel OBZB



OBZD2

sliding shower door to niche or for combination with a side panel OBZB



8 mm ESG Tempered glass
Transparent

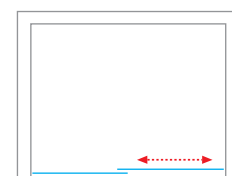


Profile colour
Brillant / Black elox 05



OBZD2							
type	ordering No.	installation width (y)	height (h)	entrance (c)	profile	glass	delivery method
OBZD2/1200	4000713	1180-1220	1950	490	brillant	transparent	S
OBZD2/1200	4000800	1180-1220	1950	490	black elox	transparent	S
OBZD2/1400	4000714	1380-1420	1950	590	brillant	transparent	S
OBZD2/1400	4000801	1380-1420	1950	590	black elox	transparent	S

Universal LEFT and RIGHT solution



OBZB

side panel for combination with OBZD2



8 mm ESG Tempered glass
Transparent



Profile colour
Brillant / Black elox 05

■ Installation width with OBZD2

Combination	Installation width
OBZD2/1200+OBZB	1190-1210
OBZD2/1400+OBZB	1390-1410



■ OBZD2 + OBZB



OBZB							
type	ordering No.	installation width (y)	height (h)	entrance (c)	profile	glass	delivery method
OBZB/800	4000715	780-800	1950	—	brillant	transparent	S
OBZB/800	4000802	780-800	1950	—	black elox	transparent	S
OBZB/900	4000716	880-900	1950	—	brillant	transparent	S
OBZB/900	4000803	880-900	1950	—	black elox	transparent	S

Universal LEFT and RIGHT solution / OBZB cannot be used as a self-standing side panel



■ OBZB

Project Line

project solutions

FLOWER NEO

quadrant shower enclosure with two sliding doors



4 mm ESG Tempered glass
Pattern



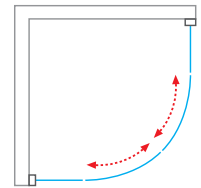
Profile colour
Brillant



FLOWER NEO

type	ordering No.	installation width (y)	height (h)	entrance (c)	profile	glass	delivery method
FLOWER NEO/800	N0652	780-790	1900	420	brillant	pattern	S
FLOWER NEO/900	N0653	880-890	1900	550	brillant	pattern	S

Ball bearing rollers with bottom tilt function / Standard radius: R 550 mm



MADISON NEO

quadrant shower enclosure
with two sliding doors for combination
with SEMIDEEP NEO or VIKI LUX shower trays



4 mm ESG Tempered glass
Rauch



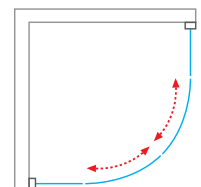
Profile colour
Brillant



MADISON NEO

type	ordering No.	installation width (y)	height (h)	entrance (c)	profile	glass	delivery method
MADISON NEO/800	N0658	780-790	1650	420	brillant	rauch	S
MADISON NEO/900	N0659	880-890	1650	550	brillant	rauch	S

Ball bearing rollers with bottom tilt function / Standard radius: R 550 mm



APOLLO SET

quadrant shower enclosure with two sliding door
with self-supporting shower tray and siphon drain



4 mm ESG Tempered glass
Transparent / Matt glass



Profile colour
White



TULA SET

quadrant shower enclosure with two sliding door
with self-supporting shower tray and siphon drain



APOLLO SET / TULA SET

type	ordering No.	dimensions	entrance	profile	glass	delivery method
APOLLO SET 800	4000462	800×800×1900	400	white	transparent	S
APOLLO SET 900	4000463	900×900×1900	500	white	transparent	S
TULA SET 800	4000515	800×800×1900	400	white	matt glass	S
TULA SET 900	4000516	900×900×1900	500	white	matt glass	S

Ball bearing rollers with bottom tilt function / Height 1800 mm (shower enclosure) + 100 mm (shower tray)

APOLLO CHROME SET

quadrant shower enclosure with two sliding door
with self-supporting shower tray and siphon drain



5 mm ESG Tempered glass
Matt Glass



Profile colour
Brillant



APOLLO CHROME SET

type	ordering No.	dimensions	entrance	profile	glass	delivery method
APOLLO CHROME SET 800	4000612	800×800×1900	400	brillant	matt glass	S
APOLLO CHROME SET 900	4000613	900×900×1900	500	brillant	matt glass	S

Ball bearing rollers with bottom tilt function / Height 1800 mm (shower enclosure) + 100 mm (shower tray)

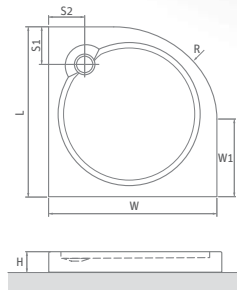
Project Line

project solutions

DREAM-P

quadrant self-supporting shower tray
made of coextruded shell with GREENSIR support

80×80 / 90×90



DREAM-P	L	W	H	S1	S2	W1	R	Ø
800×800	800	800	125	230	170	250	550	60
900×900	900	900	125	230	190	350	550	60



■ DREAM-P shower trays are delivered with a siphon drain

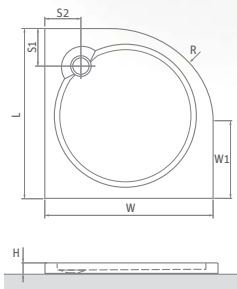
DREAM-P

type	ordering No.	dimension (mm)	delivery method
DREAM-P 800	8000099	800×800×125, R550	S
DREAM-P 900	8000030	900×900×125, R550	S

DREAM FLAT

FLAT quadrant shower tray made of coextruded shell with GREENSIR support

80×80 / 90×90



DREAM FLAT	L	W	H	S1	S2	W1	R	Ø
800×800	800	800	60	230	170	250	550	60
900×900	900	900	60	230	190	350	550	60



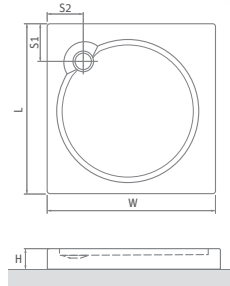
DREAM FLAT

type	ordering No.	dimension (mm)	delivery method
DREAM FLAT 800	8000284	800×800×60, R550	S
DREAM FLAT 900	8000285	900×900×60, R550	S

ALOHA-P

square self-supporting shower tray
made of coextruded shell with GREENSIR support

80×80 / 90×90



ALOHA-P	L	W	H	S1	S2	ϕ
800×800	800	800	125	200	195	60
900×900	900	900	125	185	180	60



■ ALOHA-P shower trays are delivered with a siphon drain

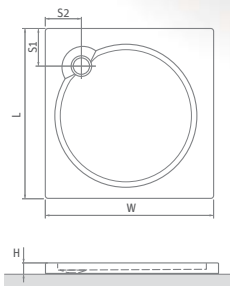
ALOHA-P

type	ordering No.	dimension (mm)	delivery method
ALOHA-P 800	8000148	800×800×125	S
ALOHA-P 900	8000149	900×900×125	S

ALOHA FLAT

FLAT square shower tray made of coextruded shell with GREENSIR support

80×80 / 90×90



ALOHA FLAT	L	W	H	S1	S2	ϕ
800×800	800	800	60	200	195	60
900×900	900	900	60	185	180	60



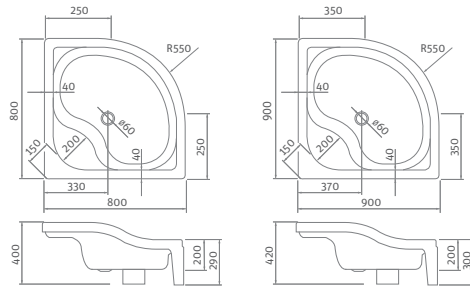
ALOHA FLAT

type	ordering No.	dimension (mm)	delivery method
ALOHA FLAT 800	8000282	800×800×60	S
ALOHA FLAT 900	8000283	900×900×60	S

SEMIDEEP NEO

semideep quadrant self-supporting shower tray
reinforced with a GREENSIR technology

80×80 / 90×90



SEMIDEEP NEO

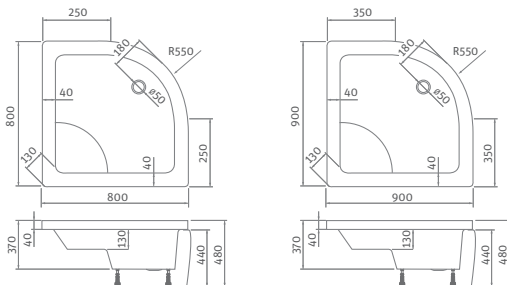
type	ordering No.	dimension (mm)	description	delivery method
SEMIDEEP NEO 800	8000197	800×800×290	self-supporting tray - monobloc	S
SEMIDEEP NEO 900	8000198	900×900×300	self-supporting tray - monobloc	S

- Delivered as MONOBLOC (with mounts to the wall)
- The package includes a DREAM-P siphon drain
- Height of tray: 290 (300) mm
- Depth of tray: 200 mm

VIKI LUX

deep quadrant shower tray
reinforced with a GREENSIR technology

80×80 / 90×90



VIKI LUX

type	ordering No.	dimension (mm)	description	delivery method
VIKI LUX 800	8000047	800×800×480	deep tray, adjustable legs, removable front panel	S
VIKI LUX 900	8000046	900×900×480	deep tray, adjustable legs, removable front panel	S
TRAY SIPHON VIKI	8100009	-	siphon with a plastic plug	S
TRAY SIPHON VIKI LUX	8100033	-	siphon Click Clack - CHROME	S



CLASSIC PRO

rectangular acrylic bathtub

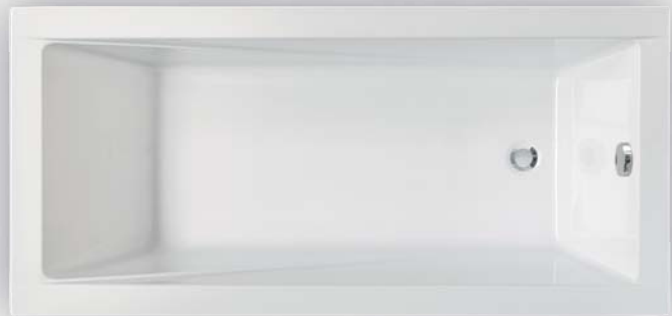
150×70 / 160×70 / 170×70



recommended accessories legs EXCLUSIVE page 193



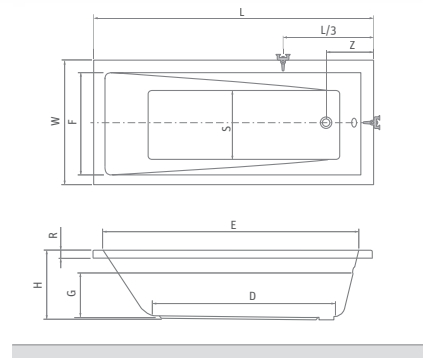
SCREEN, SCREEN PRO



CLASSIC PRO

type	ordering No.	dimension (mm)	volume (l)	delivery method
CLASSIC PRO 150	9040000	1500×700	150	S
CLASSIC PRO 160	9050000	1600×700	160	S
CLASSIC PRO 170	9060000	1700×700	170	S

CLASSIC PRO	L	W	H	G	D	R	S	E	F	Z
1500×695	1500	695	390	295	1080	35	450	1350	555	235
1600×695	1600	695	395	300	1170	35	440	1435	545	230
1700×700	1700	700	390	295	1240	35	420	1540	540	250



TULLIP

asymmetric corner acrylic bathtub

150×100 / 160×100



recommended accessories legs EXCLUSIVE page 193



PXV1, SCREEN MINI

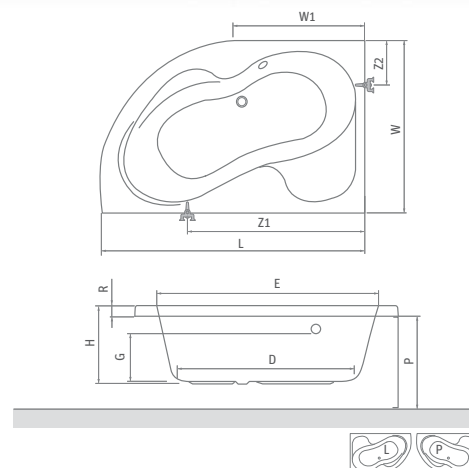


TULLIP

type	ordering No.	dimension (mm)	volume (l)	delivery method
TULLIP 150 (L)	5157000	1500×1000	200	S
TULLIP 150 (P)	5158000	1500×1000	200	S
TULLIP 160 (L)	5159000	1600×1000	210	S
TULLIP 160 (P)	5161000	1600×1000	210	S

Front PANEL 150 (L)	5157002	height=570	-	S
Front PANEL 150 (P)	5157001	height=570	-	S
Front PANEL 160 (L)	5159002	height=570	-	S
Front PANEL 160 (P)	5159001	height=570	-	S

TULLIP	L	W	H	G	W1	D	R	P	E	Z1	Z2
1500×1000	1500	1000	460	330	700	1100	35	570	1390	1050	350
1600×1000	1600	1000	460	335	700	1200	35	570	1490	1120	350



Project Line

project solutions

SCREEN PRO

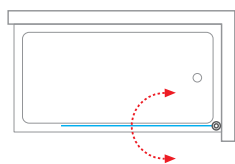
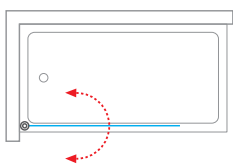
bath screen with a both-way opening



4 mm ESG Tempered glass
Transparent



Profile colour
White



■ Universal LEFT and RIGHT solution



SCREEN PRO						
type	ordering No.	installation width (y)	height (h)	profile	glass	delivery method
SCREEN PRO	4000688	810	1400	white	transparent	S

SCREEN

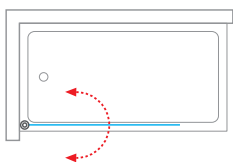
bath screen with a both-way opening



6 mm ESG Tempered glass
Pattern



Profile colour
White



■ Universal LEFT and RIGHT solution



SCREEN						
type	ordering No.	installation width (y)	height (h)	profile	glass	delivery method
SCREEN	4000222	750	1300	white	pattern	S

SIMPLE

basic quadrant model of the shower box



4 mm ESG Tempered glass
Transparent



Profile colour
White

- mechanical lever faucet
 - spacing of water supply 150 mm
- sliding doors and shower complete
- self-supporting shower tray with siphon
- rear panels in Green Satinato colour



SIMPLE

type	ordering No.	dimensions	profile	glass	delivery method
SIMPLE 800	4000248	800×800×2050	white	transparent	S
SIMPLE 900	4000249	900×900×2050	white	transparent	S

SIMPLE SQUARE

basic square model of the shower box



4 mm ESG Tempered glass
Transparent



Profile colour
White

- mechanical lever faucet
 - spacing of water supply 150 mm
- sliding doors and shower complete
- self-supporting shower tray with siphon
- rear panels in Green Satinato colour



SIMPLE SQUARE

type	ordering No.	dimensions	profile	glass	delivery method
SIMPLE SQUARE 800	4000692	800×800×2050	white	transparent	S
SIMPLE SQUARE 900	4000693	900×900×2050	white	transparent	S



TECHNICAL SPECIFICATIONS:

size for outlet connection: 40mm
size for faucet connection: 1/2"
water supply pressure: 1,8–3 bar

Project Line

project solutions

FLORIDA

1020×220

- shower set, handheld shower
- head shower, rod with sliding holder

FLORIDA COMBI

1070×220

- shower set with faucet - spacing 150 mm
- handheld shower, head shower
- rod with sliding holder

FLORIDA / FLORIDA COMBI			
type	ordering No.	dimensions	delivery method
FLORIDA	4000321	1020×220	0
FLORIDA COMBI	4000322	1070×220	0

SELMA

1020×221

- shower set, handheld shower
- head shower, rod with sliding holder

SELMA COMBI

1070×210

- shower set with faucet - spacing 150 mm
- handheld shower, head shower
- rod with sliding holder

SELMA / SELMA COMBI			
type	ordering No.	dimensions	delivery method
SELMA	4000323	1020×210	0
SELMA COMBI	4000324	1070×210	0



GENERAL INFORMATION

XXX-XXXXXXX-XX-XX



ORDERING NUMBER

723-8000000-01-02

shower enclosure	TR2/800
finishing	Silver / Transparent

TERMS AND CONDITIONS

Prices are recommended, set by valid price list for a given period. Delivery times are agreed individually according to the particular business cases. For standard products, delivery times are listed for each type in the table (see explanatory notes).

Explanatory notes

Delivery method:	
S	items in STOCK - delivery in the earliest possible date
O	items to ORDER - delivery time should not exceed 14 working days
Z	CUSTOMIZED - delivery time should not exceed 30 working days

MAINTENANCE OF SHOWER ENCLOSURES



Shower enclosures and shower cabins in standard versions are used to prevent splashing water in bathroom spaces. In order to maintain the satisfactory and proper function of it, it is necessary to maintain the products regularly. The maintenance of shower

enclosures is very easy. Shower enclosures and cabins are possible to be maintained by recommended Roth Czech common cleaning detergents which do not include abrasive elements (as sand, grinded marmor etc). These hard elements cause unrecoverable damage to the glass and on the painted surfaces of metal parts. Avoid contact with concentrated acids, high concentration detergents, volatile substances and alcohol as well as detergents with a high rate of chloral, concentrated essences for the bath and different colour concentrates.

It is necessary for the moving parts of shower enclosures to be regularly greased by water adhesive greases (water vaseline or commonly used silicone creams). This is necessary to do in accordance with the frequency and conditions of usage of the shower enclosure. Minimally once or twice per month.

MAINTENANCE OF ACRYLIC PRODUCTS

Material from which the bathtubs and shower trays are produced is smooth and shiny in the entire structure and thanks to its properties there are very small deposits of microbes and dirt. Therefore we recommend just wiping the bath with a wet cloth using common household detergents. Avoid the use of abrasive elements. Avoid contact with concentrated acids, chloral and materials as alcohol, acetones etc. as well as with concentrates of perfume essences and colour concentrates. Bathtubs and shower trays should never be installed to fixed bricking, the product has to be removable (in upper direction) without any construction impacts!!!

CONSTRUCTION OF SHOWER ENCLOSURES

Shower enclosures and screens are designed for normal use. For usage by permanently or temporarily disabled people it is necessary to consult with a producer in advance.

TIGHTNESS OF SHOWER ENCLOSURES

From the perspective of tightness is possible to split products in two categories:



FRAME SOLUTION

▪ EXCLUSIVE LINE, PROXIMA LINE, LEGA LINE

Roth Czech guarantees maximum tightness during normal use of the shower and hydromassage equipment.



FRAMELESS SOLUTION

▪ KINEDOOR LINE, WALK IN LINE, ELEGANT NEO LINE, ELEGANT LINE, TOWER LINE, AMBIENT LINE, LIMAYA LINE

Roth Czech guarantees sufficient tightness during normal use of the shower and hydromassage equipment. But does not guarantee the water penetration, if the critical areas are exposed to a continuous direct stream of water.

Maximum weight resistance of bathtubs and shower trays is 0,1kg/1cm²

For ideal sealing we recommend the use of Roth Czech assembly set. In the case of manipulation during usage there could be some scratches on the product we recommend to fix them with a very mild water resistant sand paper (density 1000 and higher) and then to polish the area with metal or car polishing substances. Caution: In case you decide to repair a bathtub (tray) by yourself, you do it on your own responsibility!

I) Guarantee period:

Guarantee period starts on the day of purchase by the buyer. This date is mentioned in the guarantee certificate as the date of sale or the date of installation made by an authorized person (if this installation has been ordered within 3 weeks from the date of purchase). With all products of Roth Czech s.r.o. is provided to a the consumer* the basic guarantee for 2 years from the day of purchase of the product. With compliance of the extra conditions listed below is provided an extended guarantee. Guarantee period consists of a statutory period (of 2 years) and, eventually, of the extended guarantee period.

* With selected products the guarantee to buyers is from the producer, who are not consumers too, reduced to 6 months and complaints are handled within 90 days from the day of applying for the claim. Statutory rights of final customer (consumer) are not affected by this, the guarantee to him is applicable by law.

II a) Basic guarantee - 2 years:

The claim to launch warranty fullfilment (repairing or replacing) of defective products on costs to the manufacturer lapses in the following cases:

- the product is not used in correspondence with its determination or manual instruction
- if a valid document of product purchase is not presented (so the customer has no proof of guarantee period beginning)
- when improper installation is detected
- in case a product was unauthorized or unprofessional manipulation made by the owner, or by other unqualified persons
- none or incorrect maintenance (see „maintenance instructions“)

II b) Extended guarantee:

Extended guarantee is provided by Roth Czech s.r.o. to shower enclosures of all product lines Roth Czech (except Project Line). The claim to launch warranty fullfilment (repairing or replacing) of defective products at the cost of a manufacturer, in the range of extended guarantee, lapses in the following cases:

- if it was not an original guarantee certificate completed by a retailer and together by a professional installation company.
- if assembly of the product was not performed professional installation company (with a business license)

II c) Conditions of extended guarantee:

In the range of extended guarantee, in excess of 24 months from date of purchase, the producer has exclusive rights to choose the way to deal with the claim by:

- repairing of the defect
- replacing of the defective parts
- financial compensation in an adequate range and importance of the defect in question, or by other ways in connection to the incurred defect and its relevancy.

Extended guarantee is not subject to obligation of the Civil code.

Extended guarantee is governed by the Complaints procedure of the company Roth Czech s.r.o..

Manufacturers decision on how to deal with the claim is mandatory for the customer.

Guarantee period for product groups is following:

Items of Roth Czech product lines:	
Shower enclosures, screens - KINEDOOR, WALK IN, ELEGANT NEO, ELEGANT, AMBIENT, TOWER, EXCLUSIVE, PROXIMA, LIMAYA, LEGA	2+3 years
akrylic and cast marble bathtubs	10 years
self-supporting acrylic shower trays	2 years
FLAT acrylic shower trays	10 years
cast marble shower trays	5 years
others (Accessories, ...)	2 years
Items of PROJECT LINE (former name SANIPRO):	
complete assortment	2 years

The guarantee does not apply on:

- mechanical damage on the products, where this damage is caused by improper manipulation, caused by a retailer, installer or by user
- defects and damages caused by incorrect product installation (in contradiction to a mounting instruction, which is part of the product)
- early wear caused by incorrect product installation
- defects caused by incorrect product use (see „description and purpose of use“)
- none or incorrect maintenance (see „maintenance instructions“)
- damage caused by limescale deposits
- defects caused by unauthorized usage, improper connection, defects caused by power surges or coming from usage in extreme conditions (for example in a sauna room, swimming pool, ...)
- the water pressure for operation of the hydromassage (steam) cabins and panels can not exceed a nominal pressure of 3 bars, otherwise there is a danger of damage on water-installation materials used in the product

Caution:

Seats and handles for hydromassage boxes are not structurally designed for persons with reduced mobility within the meaning of the standards ES 93/42/EHS for medical aids. These devices serve users with full mobility, as the supporting tool.

Lifetime of consumables as the sealing components (PVC sealings), illumination, cartridges, thermostats, ball bearing rollers, shower hoses, or handheld shower can be shorter, than the guarantee period set by law.

All the components, which were mounted within installation, the customer must replace himself, e.g. shower hose, door rollers.

In case of missing purchase documents, all the service works are charged to the customer according to a valid pricelist of service works by Roth Czech.

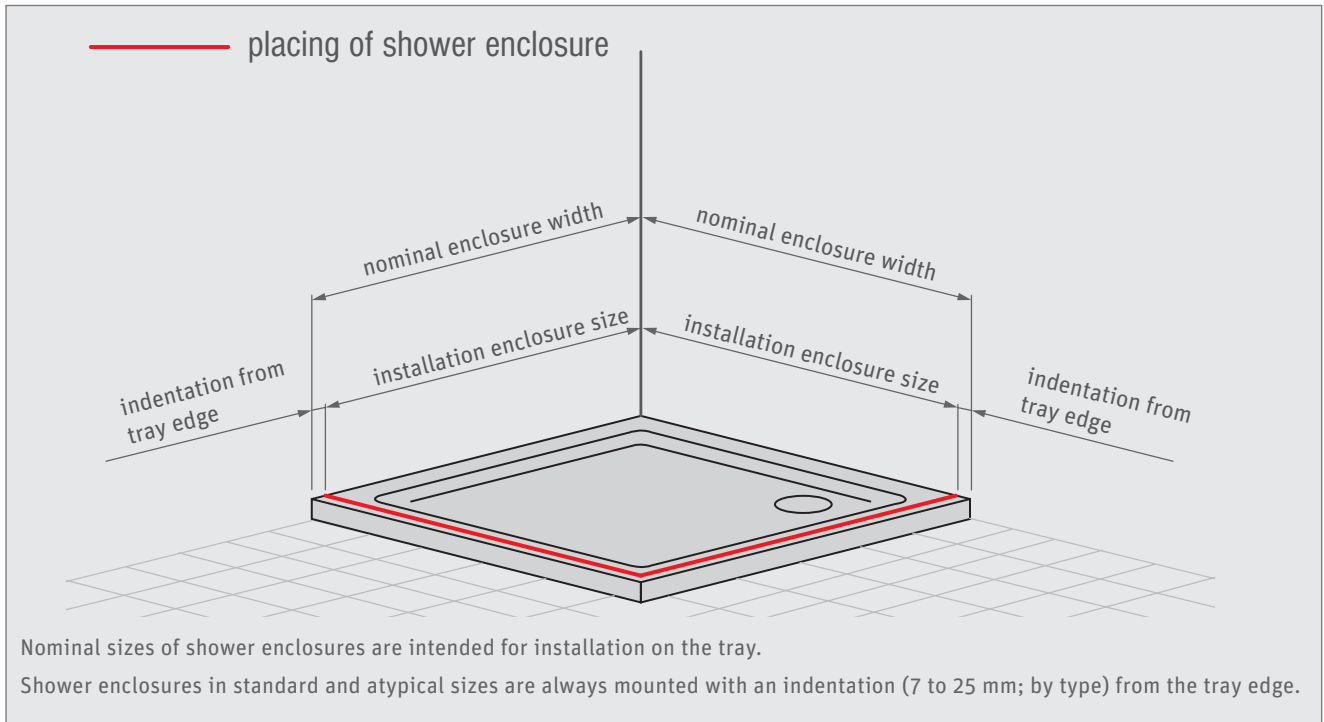
More informations on www.roth-czech.cz/en

TECHNICAL SPECIFICATIONS

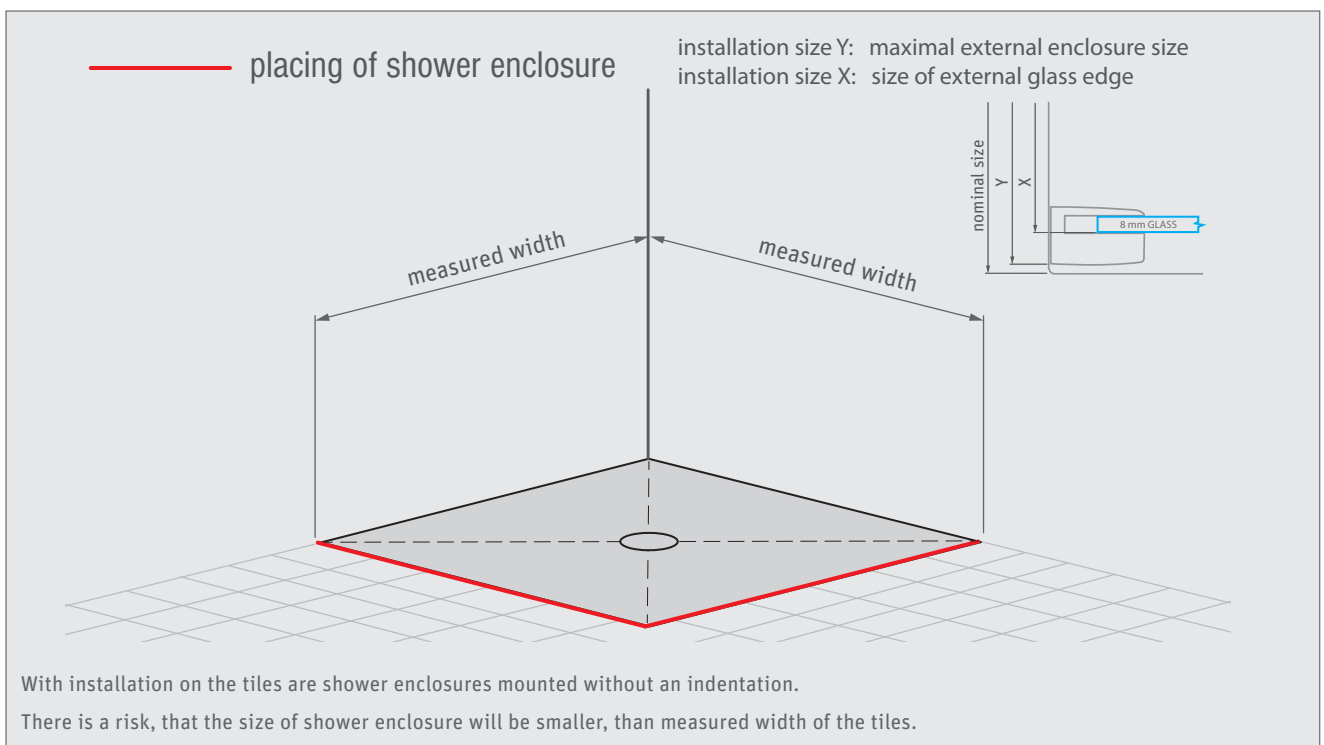
WAYS TO INSTALL SHOWER ENCLOSURES

Prior to installation of shower enclosure ON TILES it is necessary to check product dimensions in TECHNICAL SPECIFICATIONS section.

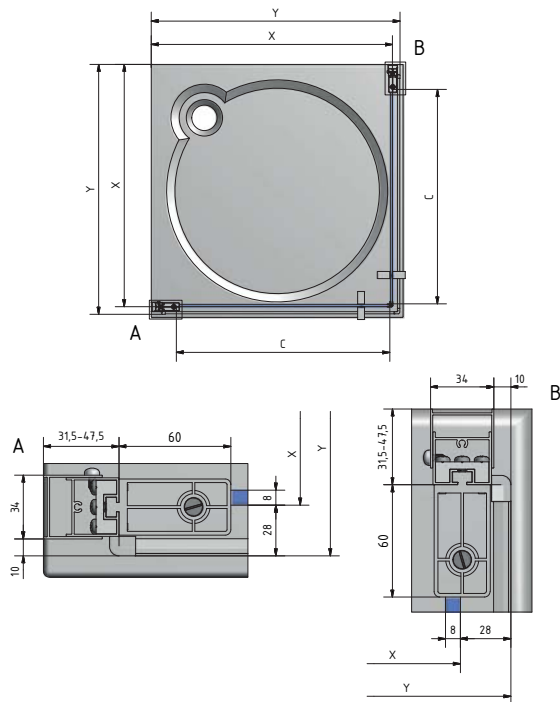
MOUNTING ON THE TRAY



MOUNTING ON THE TILES

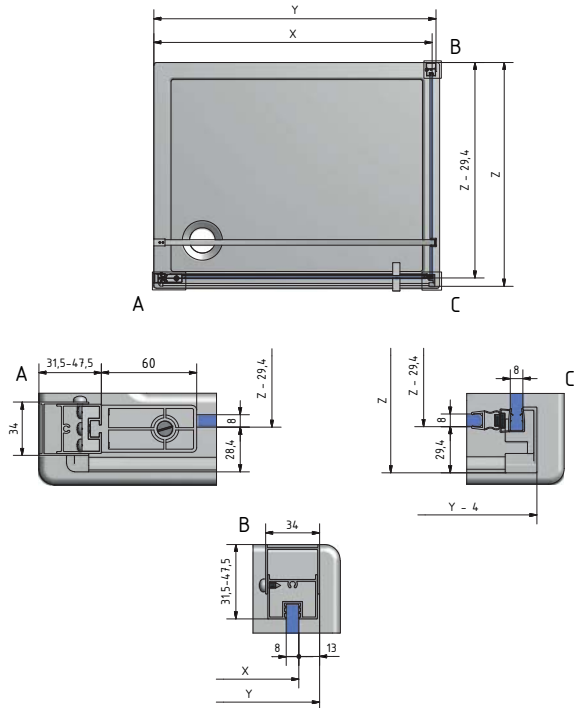


HI PI2 + HI PI2



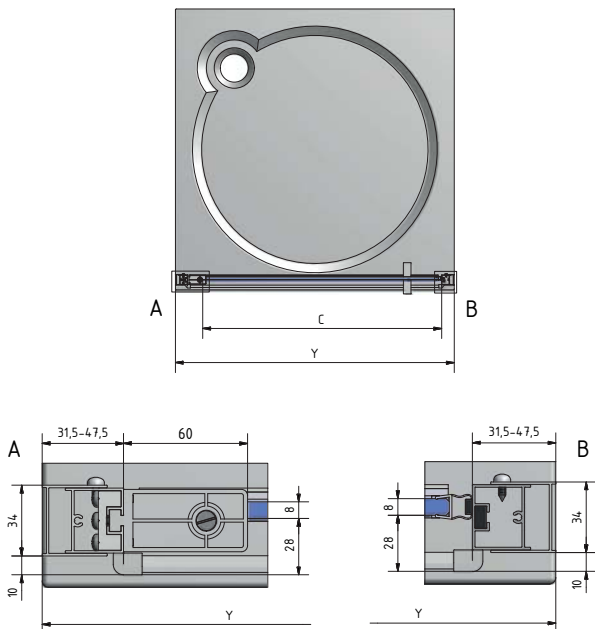
Varianta	Y (mm)	X (mm)	C (mm)
800	782-798	754-770	663
900	882-898	854-870	763
1000	982-998	954-970	863

HI PI2 + HI FXP



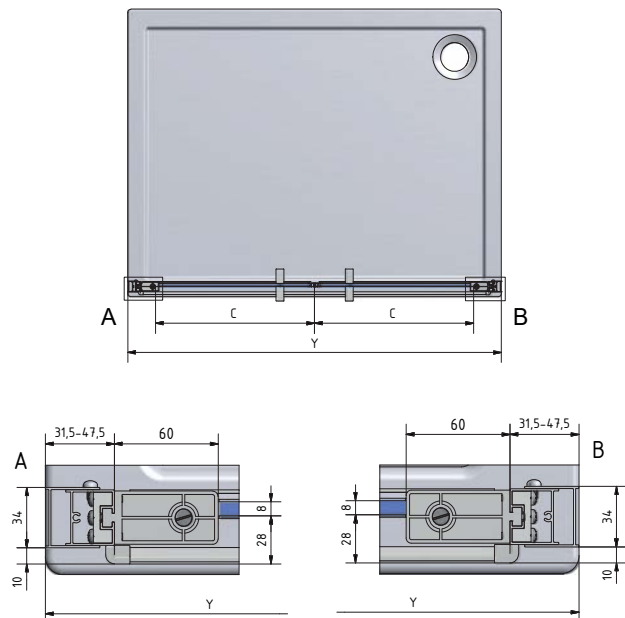
Varianta	X (mm)	Y (mm)	Z (mm)	C (mm)
800	767-783	780-796	777-793	671
900	867-883	880-896	877-893	771
1000	967-983	980-996	977-993	871

HI PI2 + HI SET



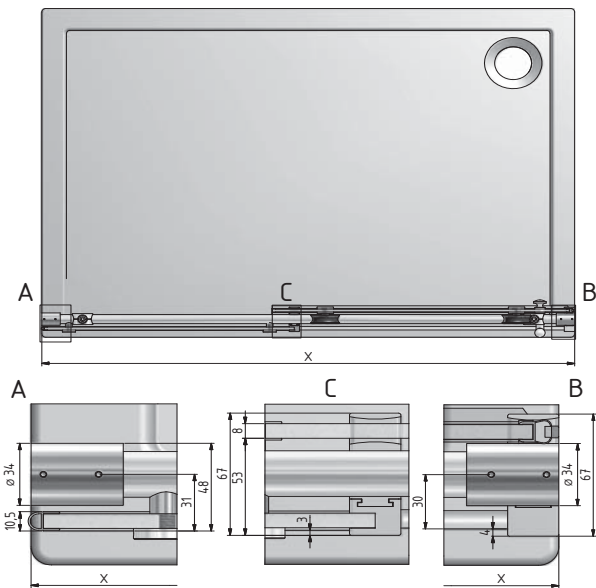
Varianta	Y (mm)	C (mm)
800	783-815	671
900	883-915	771
1000	983-1015	871

HI 2B2



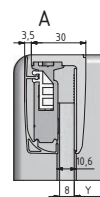
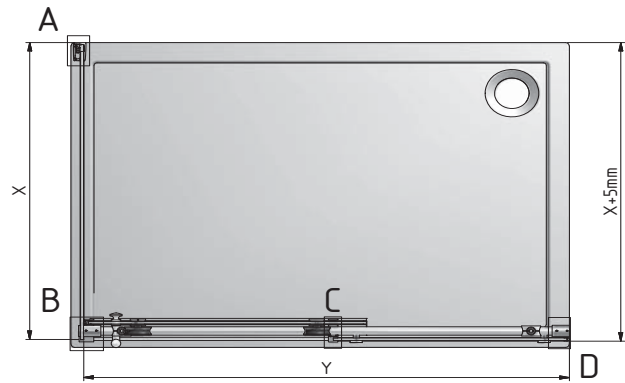
Varianta	Y (mm)	C (mm)
800	783-815	311
900	883-915	361
1000	983-1015	411
1200	1183-1215	511

KID2

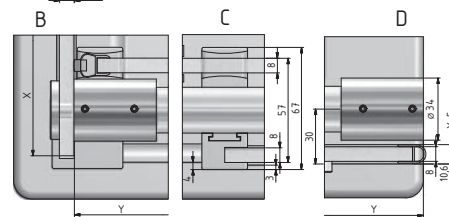


Varianta	X (mm)
1300	1150-1310
1500	1300-1510
1800	1500-1810
2000	1800-2010

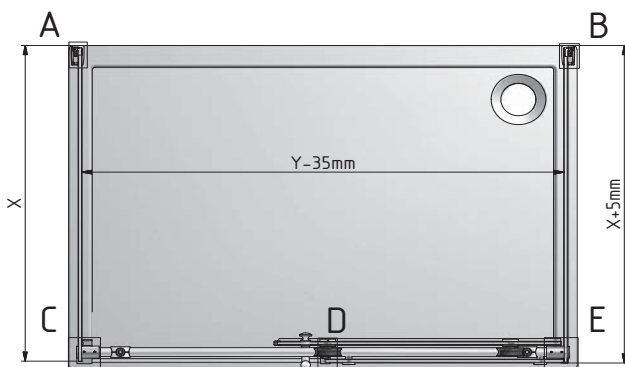
KID2 + KIB



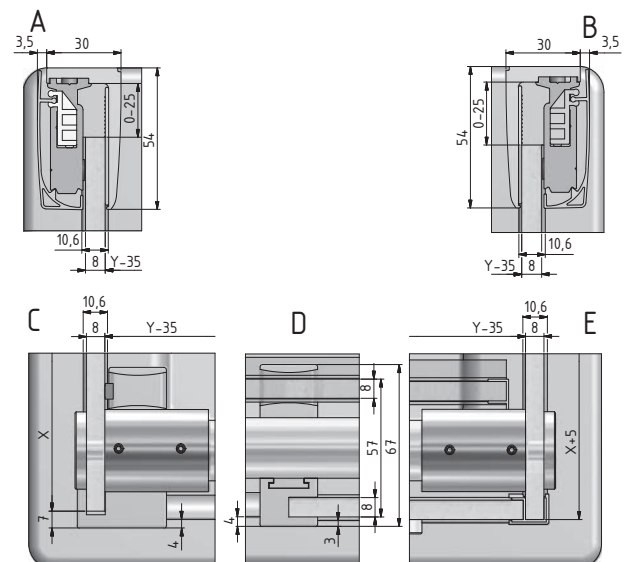
Varianta	Y (mm)	X (mm)
900	-	855-880
1000	-	955-980
1300	1150-1310	-
1500	1300-1510	-
1800	1500-1810	-
2000	1800-2010	-



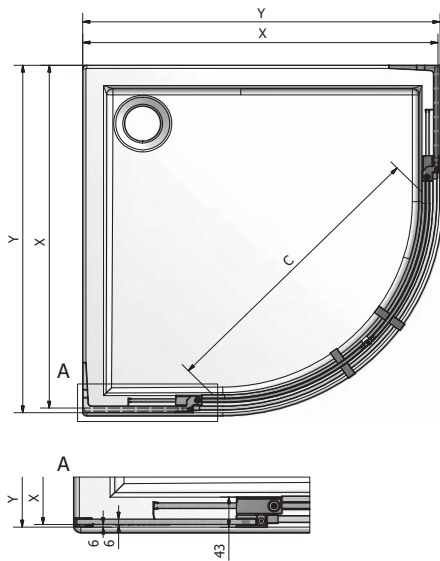
KIB + KID2 + KIB



Varianta	Y (mm)	X (mm)
900	-	855-880
1000	-	955-980
1300	1150-1310	-
1500	1300-1510	-
1800	1500-1810	-
2000	1800-2010	-

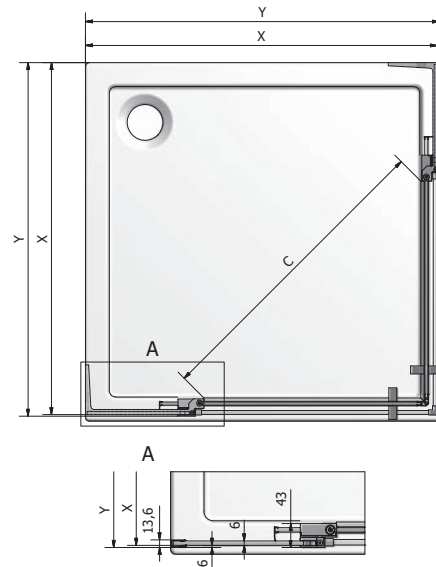


GR2N



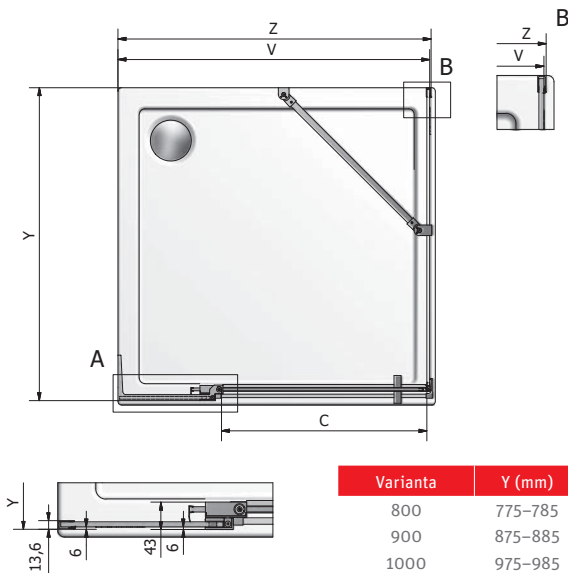
Varianta	X (mm)	Y (mm)	C (mm)
900-1000	885-985	879-979	710-900
1000-1100	985-1085	979-1079	860-1050

GDO1N + GDO1N



Varianta	X (mm)	Y (mm)	C (mm)
700-800	679-779	685-785	510-650
800-900	779-879	785-885	650-790
900-1000	879-979	885-985	790-930
1000-1100	979-1079	985-1085	930-1070
1100-1200	1079-1179	1085-1185	1070-1210

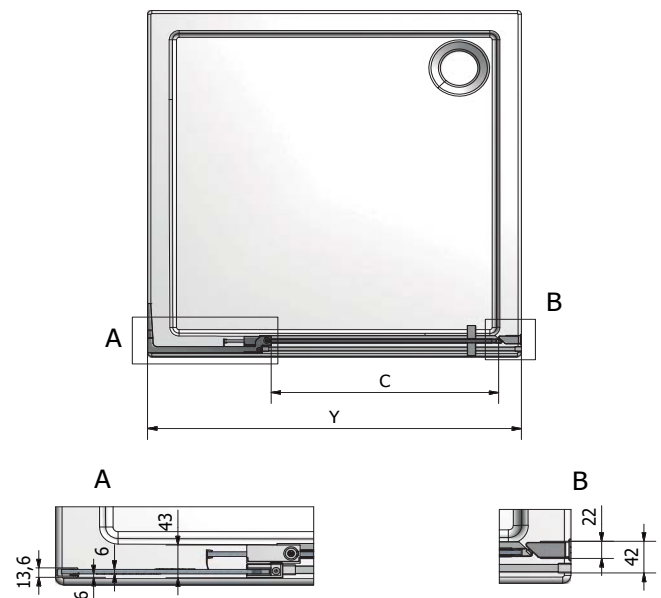
GDO1N + GBN



Varianta	Y (mm)
800	775-785
900	875-885
1000	975-985

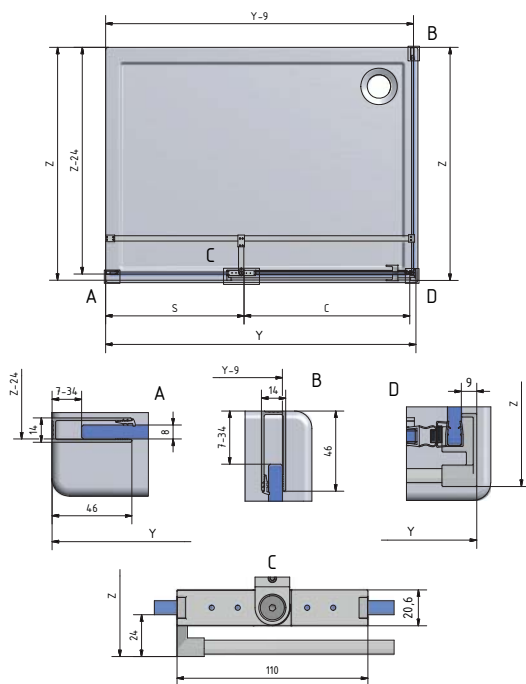
Varianta	V (mm)	Z (mm)	C (mm)
700-800	685-785	691-791	380-480
800-900	785-885	791-891	480-580
900-1000	885-985	891-991	580-680
1000-1100	985-1085	991-1091	680-780
1100-1200	1085-1185	1091-1191	780-880

GDO1N + GZN



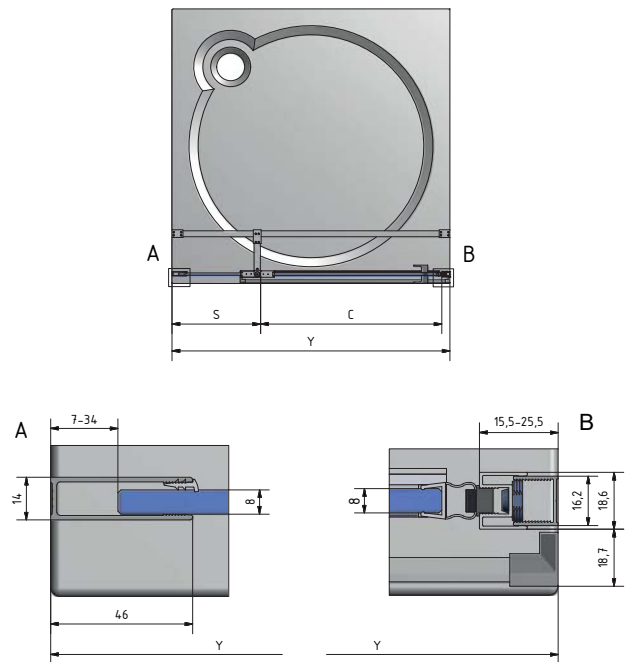
Varianta	Y (mm)	C (mm)
700-800	685-825	340-460
800-900	785-925	440-560
900-1000	885-1025	540-660
1000-1100	985-1125	640-760
1100-1200	1085-1225	740-860

BI PF2 + BI FXP



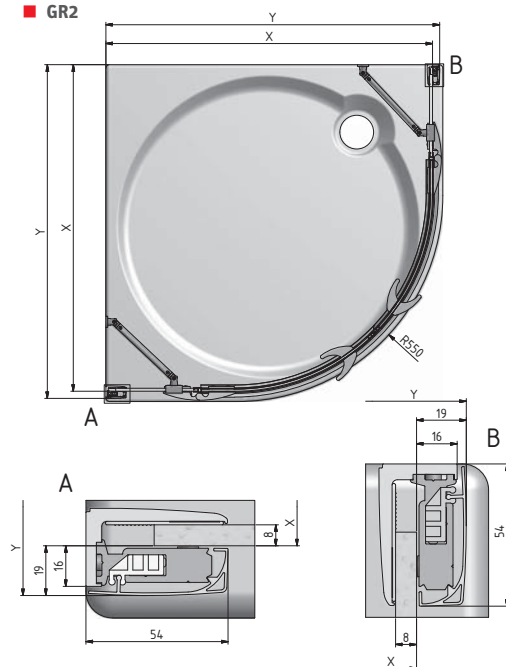
Varianta	Y (mm)	Z (mm)	S (mm)	C (mm)
800	782-807	772-797	272-297	487
900	882-907	872-897	272-297	587
1000	982-1007	972-997	372-397	587
1200	1182-1207	-	522-547	637

BI PF2 + BI SET



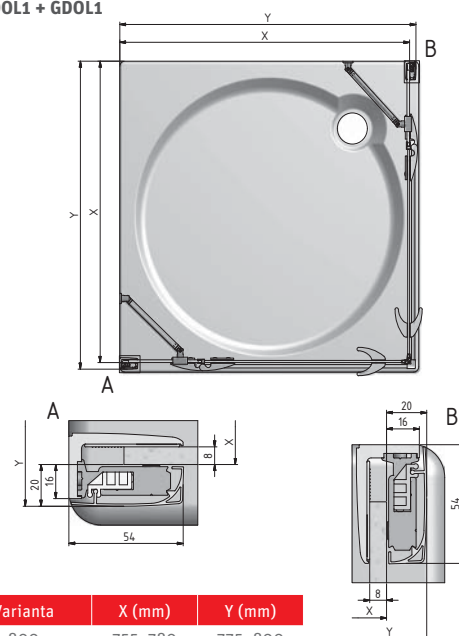
Varianta	Y (mm)	S (mm)	C (mm)
800	775-810	272-297	487
900	875-910	272-297	587
1000	975-1010	372-397	587
1200	1175-1210	522-547	637

GR2



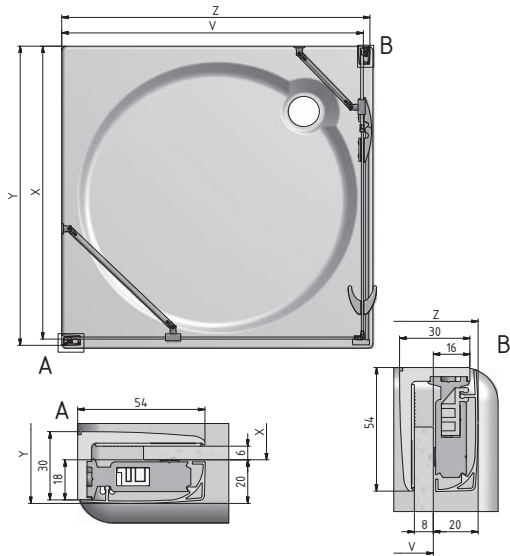
Varianta	Y (mm)	X (mm)
800	775-795	755-775
900	875-895	855-875
1000	975-995	955-975

GDOL1 + GDOL1



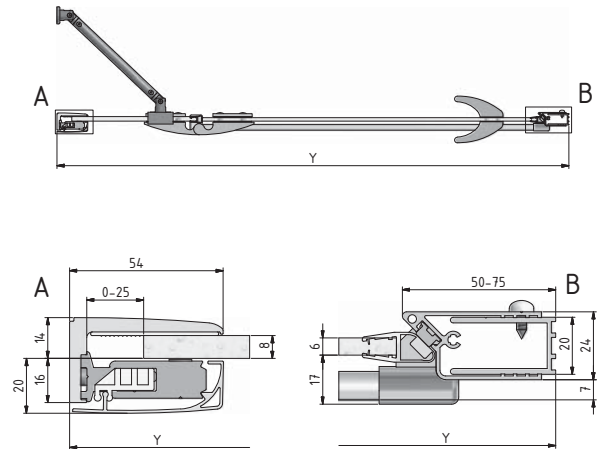
Varianta	X (mm)	Y (mm)
800	755-780	775-800
900	855-880	875-900
1000	955-980	975-1000
1100	1055-1080	1075-1100
1200	1155-1180	1175-1200
1300	1255-1280	1275-1300
1400	1355-1380	1375-1400
1500	1455-1480	1475-1500

GDOL1 + GBP



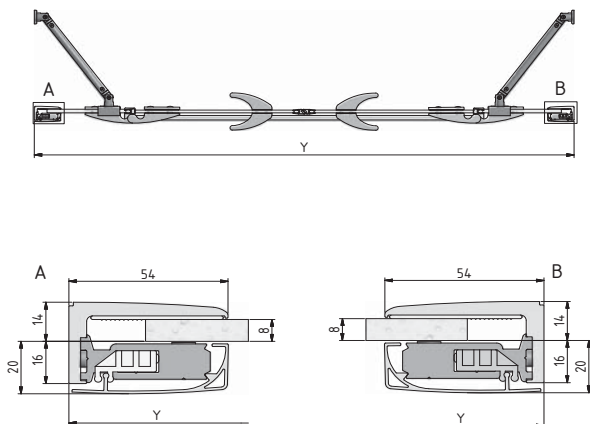
Varianta	X (mm)	Y (mm)	X (mm)	Z (mm)
800	755-780	775-800	755-780	775-800
900	855-880	875-900	855-880	875-900
1000	955-980	975-1000	955-980	975-1000
1100	1055-1080	1075-1100	1055-1080	1075-1100
1200	1155-1180	1175-1200	1155-1180	1175-1200
1300	1255-1280	1275-1300	1255-1280	1275-1300
1400	1355-1380	1375-1400	1355-1380	1375-1400
1500	1455-1480	1475-1500	-	-

GDNL1, GDNP1



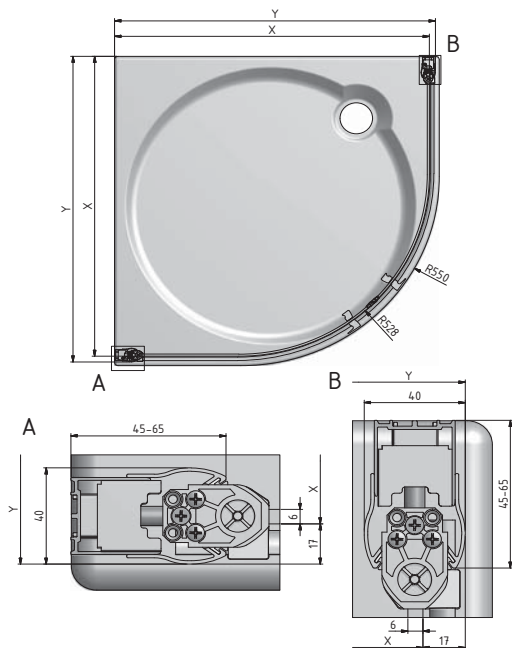
Varianta	Y (mm)
800	780-820
900	880-920
1000	980-1020
1100	1080-1120
1200	1180-1220
1300	1280-1320
1400	1380-1420
1500	1480-1520

GDN2



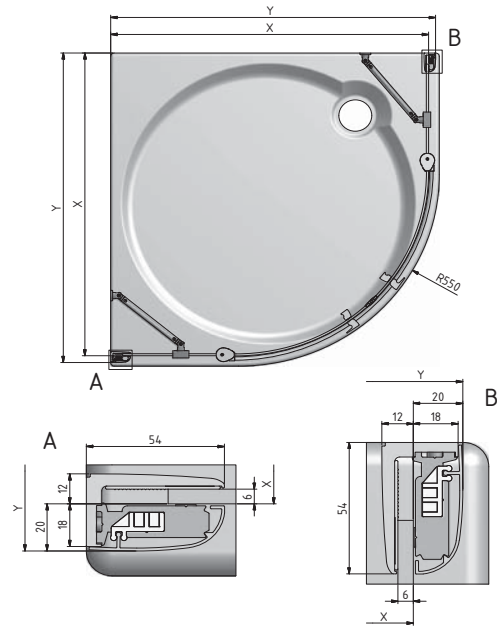
Varianta	Y (mm)
1100	1060-1110
1200	1160-1210
1300	1260-1310
1400	1360-1410
1500	1460-1510

TR1



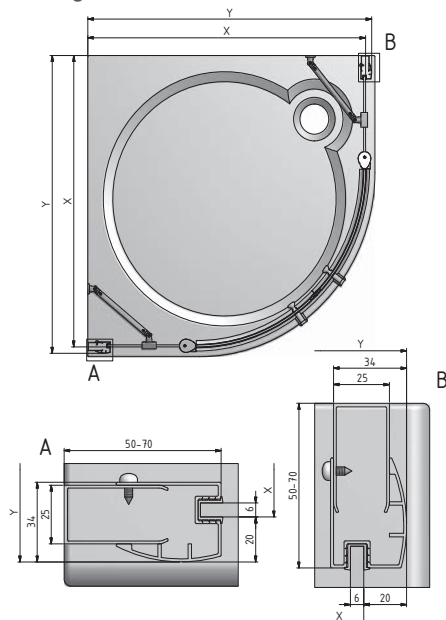
Varianta	X (mm)	Y (mm)
900	850-870	867-887
1000	950-970	967-987

TR2



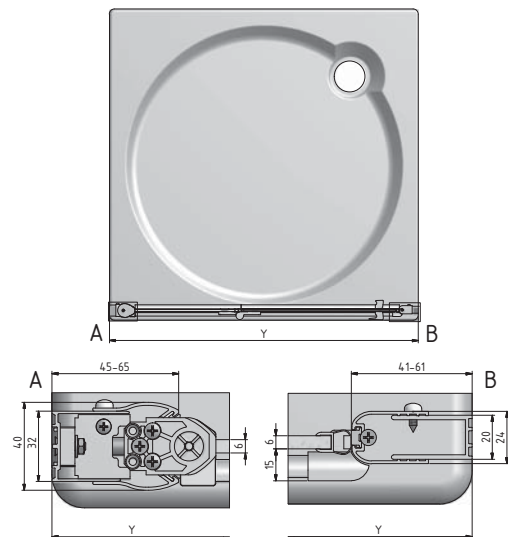
Varianta	X (mm)	Y (mm)
800	750-770	770-790
900	850-870	870-890
1000	950-970	970-990

TR2 light



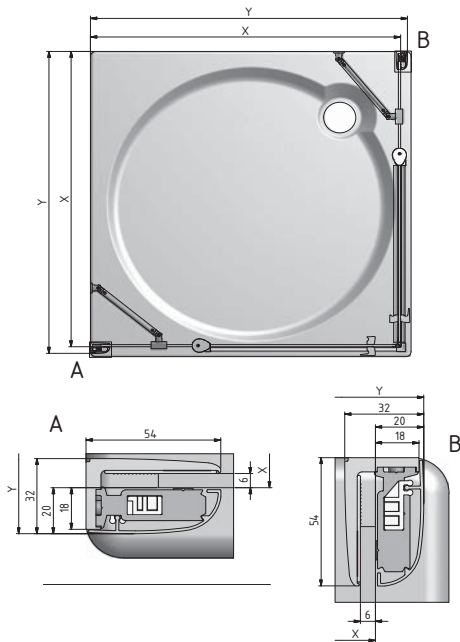
Varianta	X (mm)	Y (mm)
900	850-870	870-890

TZNL1, TZNP1



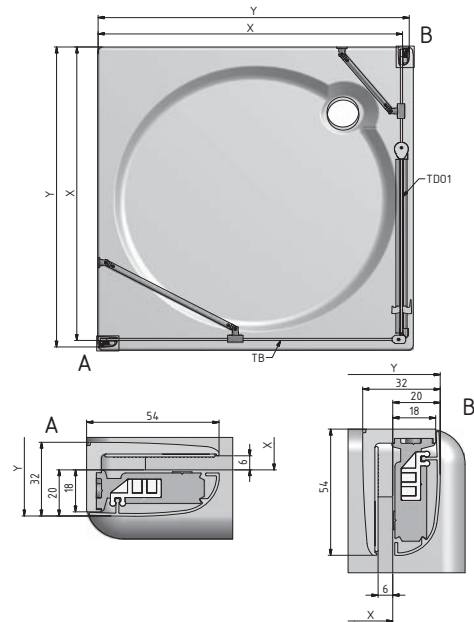
Varianta	Y (mm)
800	775-810
900	875-910
1000	975-1010
1100	1075-1110
1200	1175-1210

TD01 + TD01



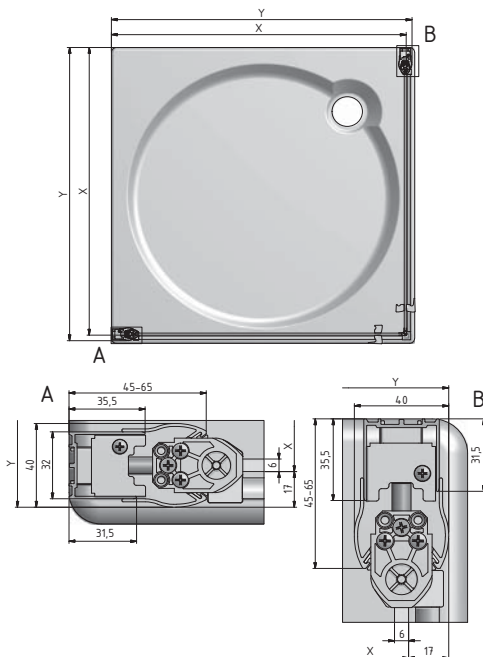
Varianta	X (mm)	Y (mm)
800	750-770	770-790
900	850-870	870-890
1000	950-970	970-990
1100	1050-1070	1070-1090
1200	1150-1170	1170-1190

TD01 + TB



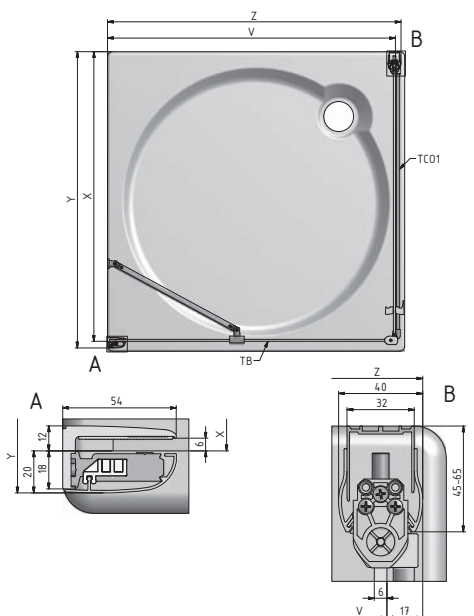
Varianta	X (mm)	Y (mm)
700	655-670	675-690
750	705-720	725-740
800	755-770	775-790
900	855-870	875-890
1000	955-970	975-990

TC01 + TC01



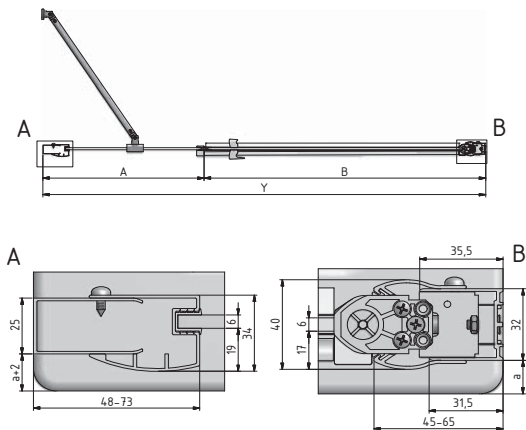
Varianta	X (mm)	Y (mm)
800	755-775	772-792
900	855-875	872-892
1000	955-975	972-992
1100	1055-1075	1072-1092
1200	1155-1175	1172-1192

TC01 + TB



Varianta	X (mm)	Y (mm)	V (mm)	Z (mm)
700	-	-	650-670	667-687
750	-	-	700-720	717-737
800	765-780	785-800	750-770	767-787
900	865-880	885-900	850-870	867-887
1000	965-980	985-1000	950-970	967-987

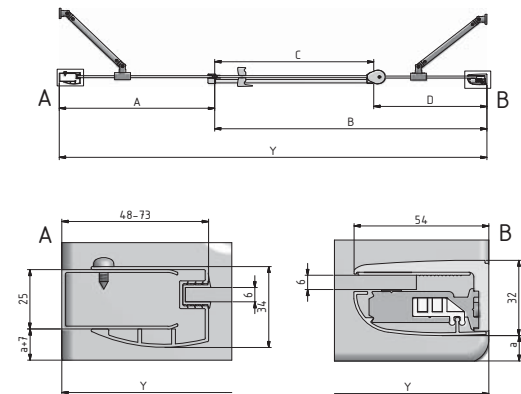
TCO1 + TBD



TBD	A (mm)	TCO1	B (mm)
240	212-237	800	756-771
440	412-437	900	856-871
640	612-637	1000	956-971
740	712-737	1100	1056-1071
		1200	1156-1171

Y	TCO1/800	TCO1/900	TCO1/1000	TCO1/1100	TCO1/1200
TBD/240	968-1008	1068-1108	1168-1208	1268-1308	1368-1408
TBD/440	1168-1208	1268-1308	1368-1408	1468-1508	1568-1608
TBD/640	1368-1408	1468-1508	1568-1608	1668-1708	1768-1808
TBD/740	1468-1508	1568-1608	1668-1708	1768-1808	1868-1908

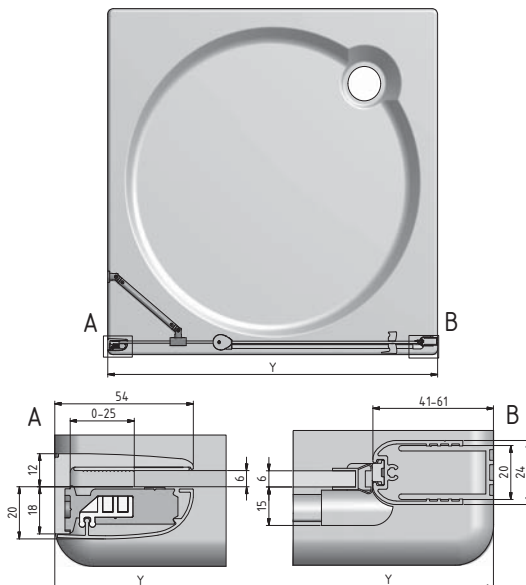
TD01 + TBD



TBD	A (mm)	TD01	B (mm)	C (mm)	D (mm)
240	212-237	800	743-768	442	298-323
440	412-437	900	843-868	542	298-323
640	612-637	1000	943-968	642	298-323
740	712-737	1100	1043-1068	642	398-423
		1200	1143-1168	742	398-423

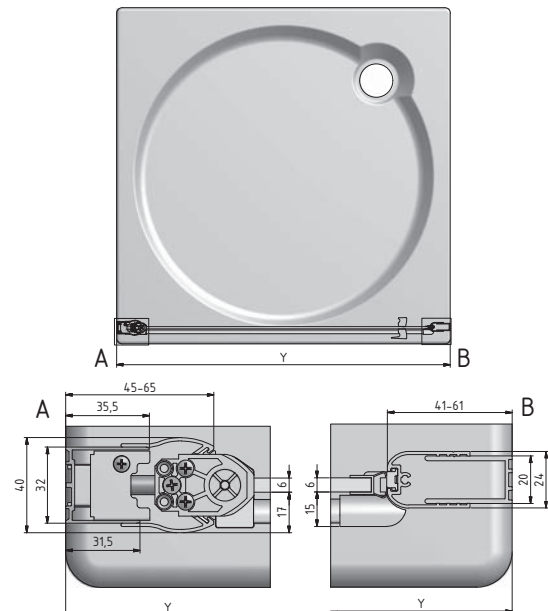
Y	TD01/800	TD01/900	TD01/1000	TD01/1100	TD01/1200
TBD/240	955-1005	1055-1105	1155-1205	1255-1305	1355-1405
TBD/440	1155-1205	1255-1305	1355-1405	1455-1505	1555-1605
TBD/640	1355-1405	1455-1505	1555-1605	1655-1705	1755-1805
TBD/740	1455-1505	1555-1605	1655-1705	1755-1805	1855-1905

TDN1



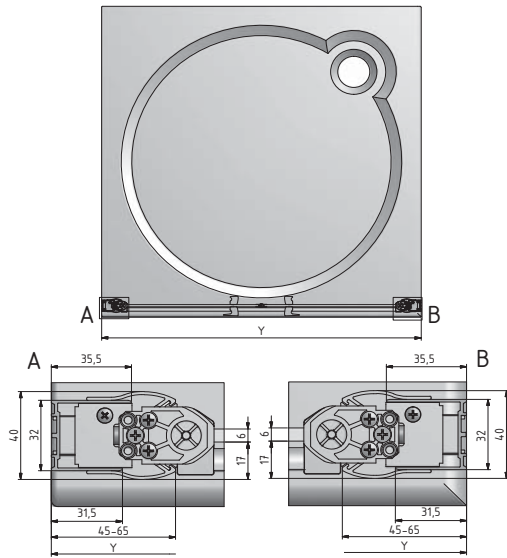
Varianta	Y (mm)
800	775-810
900	875-910
1000	975-1010
1100	1075-1110
1200	1175-1210

TCN1



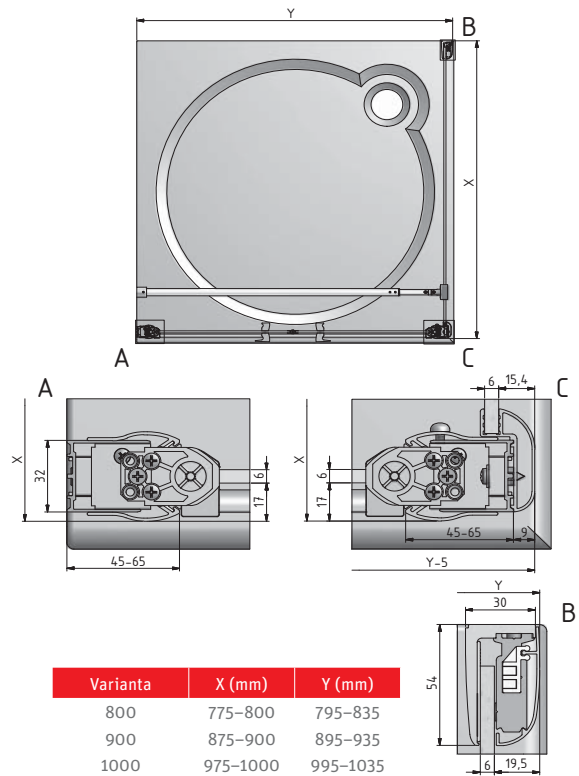
Varianta	Y (mm)
800	775-810
900	875-910
1000	975-1010

TCN2



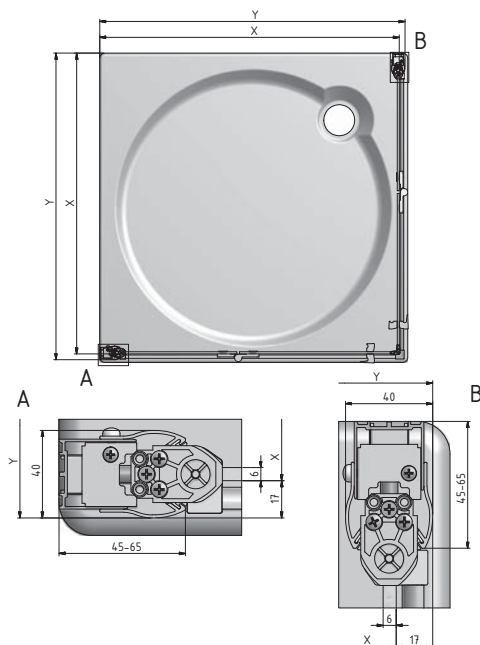
Varianta	Y (mm)
800	785-820
900	885-920
1000	985-1020
1100	1085-1120
1200	1185-1220

TCN2 + TCB



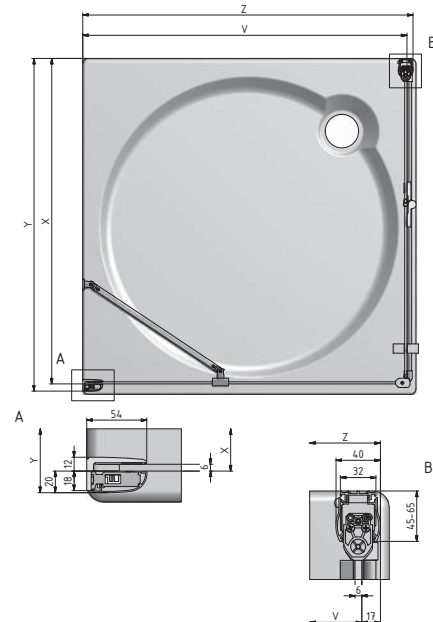
Varianta	X (mm)	Y (mm)
800	775-800	795-835
900	875-900	895-935
1000	975-1000	995-1035
1100	-	1095-1135
1200	-	1195-1235

TZO1L + TZO1P



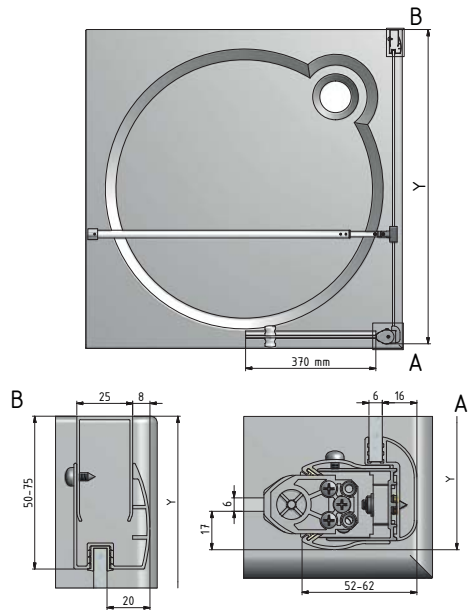
Varianta	X (mm)	Y (mm)
800	755-775	775-795
900	855-875	875-895
1000	955-975	975-995
1100	1055-1075	1075-1095
1200	1155-1175	1175-1195

TZO1 + TB



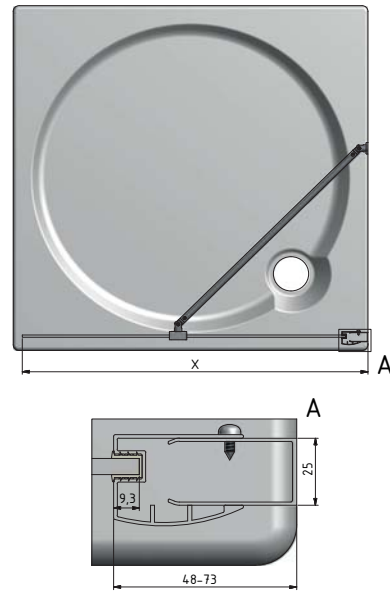
Varianta	X (mm)	Y (mm)	V (mm)	Z (mm)
700	-	-	650-670	667-687
750	-	-	700-720	717-737
800	770-795	790-815	750-770	767-787
900	870-895	890-915	850-870	867-887
1000	970-995	990-1015	950-970	967-987
1100	1070-1095	1090-1115	1050-1070	1067-1087
1200	1170-1195	1190-1215	1150-1170	1167-1187

TCW1



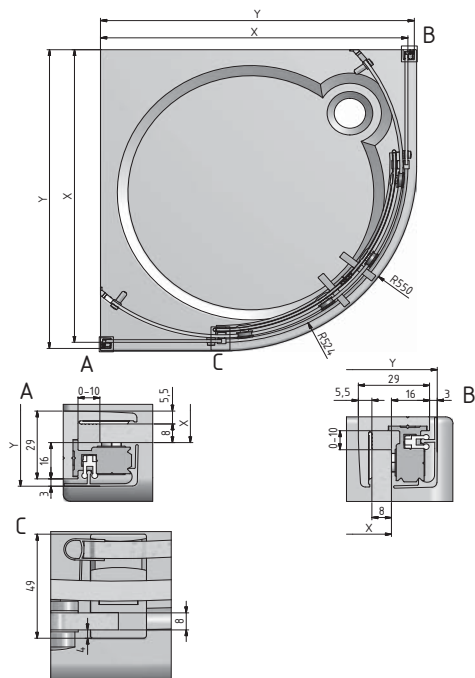
Varianta	Y (mm)
800	770-795
900	870-895
1000	970-995
1200	1170-1195
1400	1370-1395

TBS



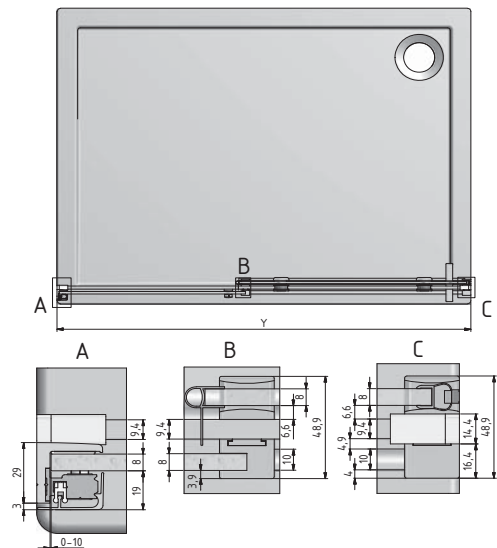
Varianta	X (mm)
800	767-792
900	867-892
1000	967-992

AMR2N



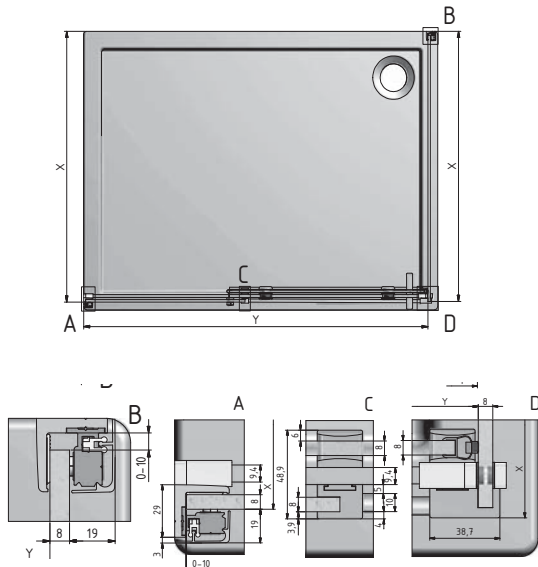
Varianta	X (mm)	Y (mm)
900	866-876	885-895
1000	966-976	985-995

AMD2



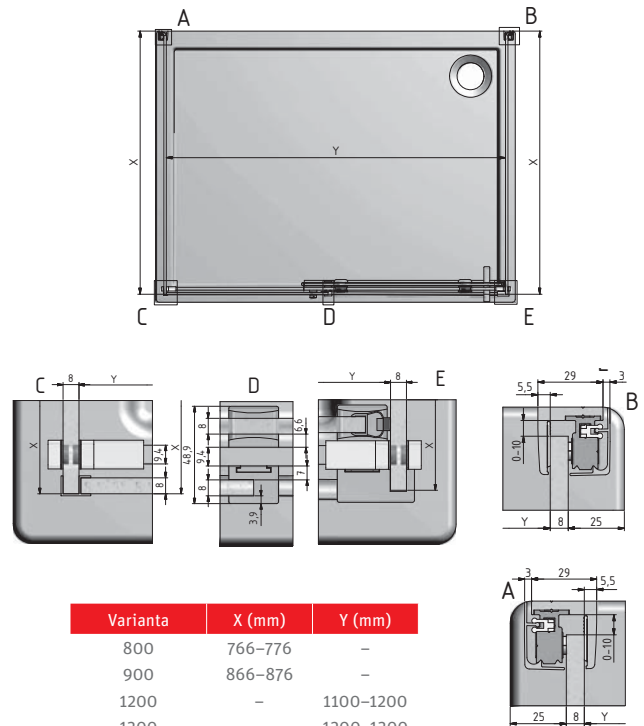
Varianta	Y (mm)
1200	1100-1200
1300	1200-1300
1400	1300-1400
1500	1400-1500
1600	1500-1600
1700	1600-1700
1800	1700-1800

■ AMD2 + AMB



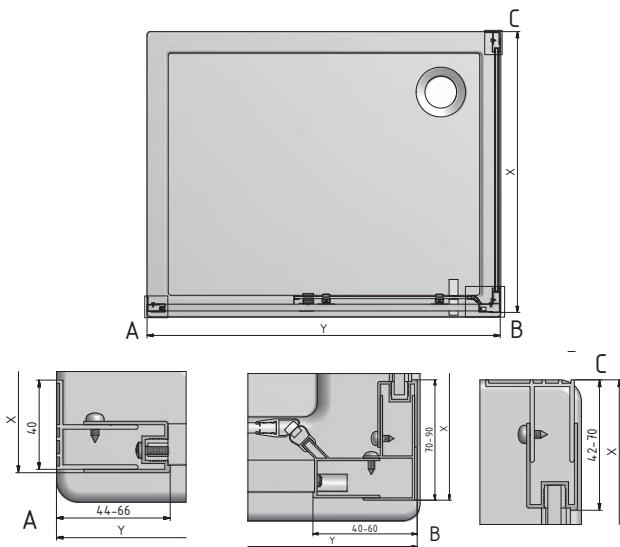
Varianta	X (mm)	Y (mm)
800	766-776	-
900	866-876	-
1200	-	1100-1200
1300	-	1200-1300
1400	-	1300-1400
1500	-	1400-1500

■ AMB + AMD2 + AMB



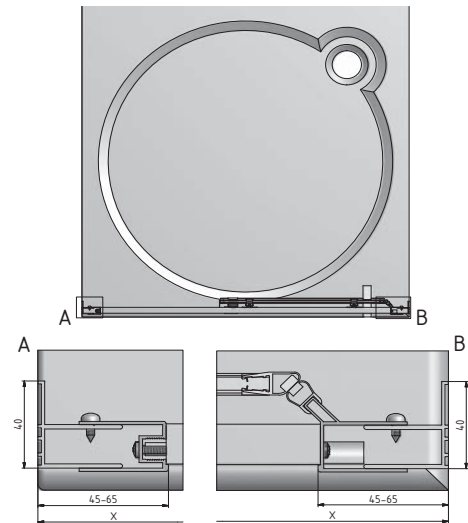
Varianta	X (mm)	Y (mm)
800	766-776	-
900	866-876	-
1200	-	1100-1200
1300	-	1200-1300
1400	-	1300-1400
1500	-	1400-1500

■ ECD2 + ECDBN



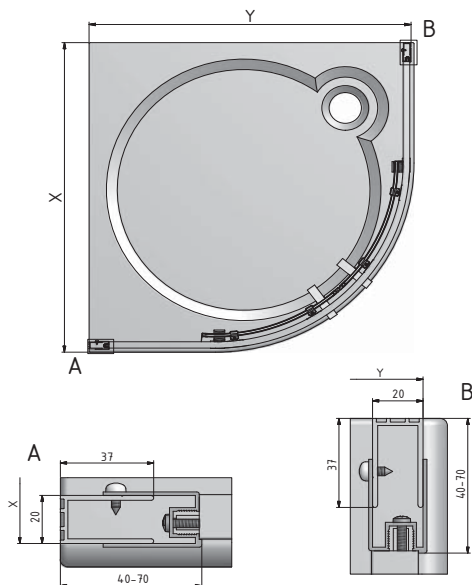
Varianta	X (mm)	Y (mm)
800	775-815	-
900	875-915	-
1000	975-1015	-
1200	-	1170-1210
1300	-	1270-1310
1400	-	1370-1410
1500	-	1470-1510

■ ECD2



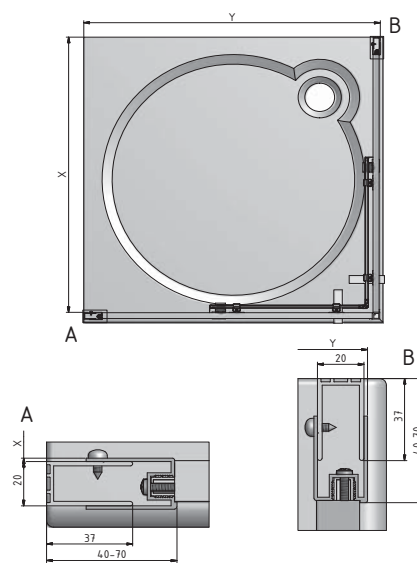
Varianta	X (mm)
1200	1170-1215
1300	1270-1315
1400	1370-1415
1500	1470-1515

■ ECR2N



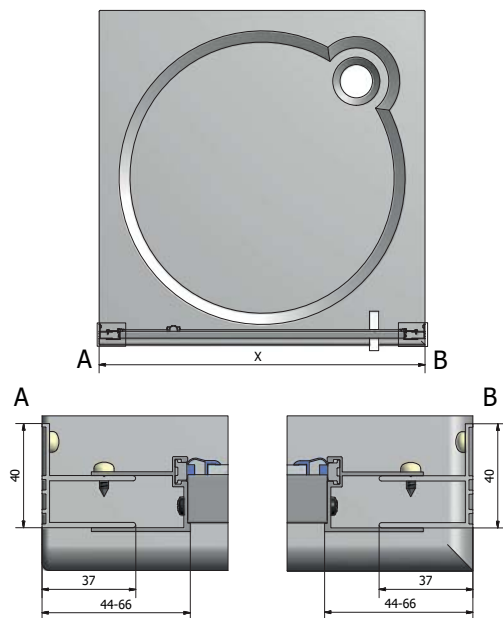
Varianta	X (mm)	Y (mm)
900	875-900	875-900
1000	975-1000	975-1000

■ ECS2L + ECS2P



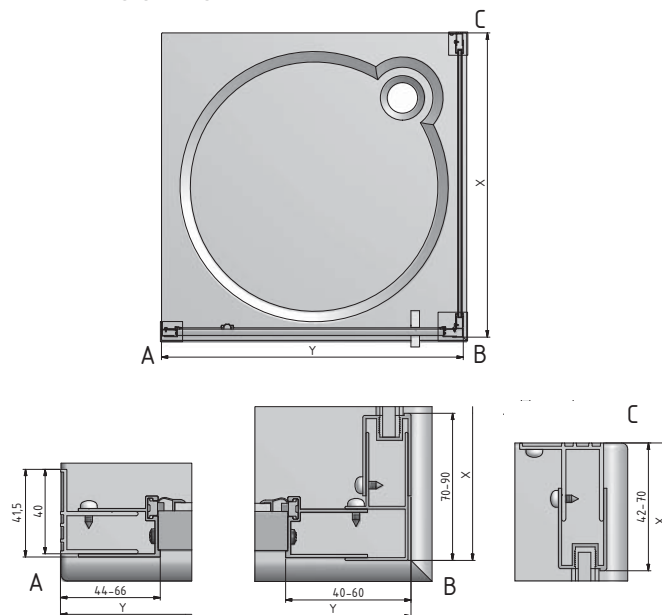
Varianta	X (mm)	Y (mm)
800	775-800	752-777
900	875-900	852-877
1000	975-1000	952-977
1100	1075-1100	1052-1077
1200	1175-1200	1152-1177

■ ECDO1N



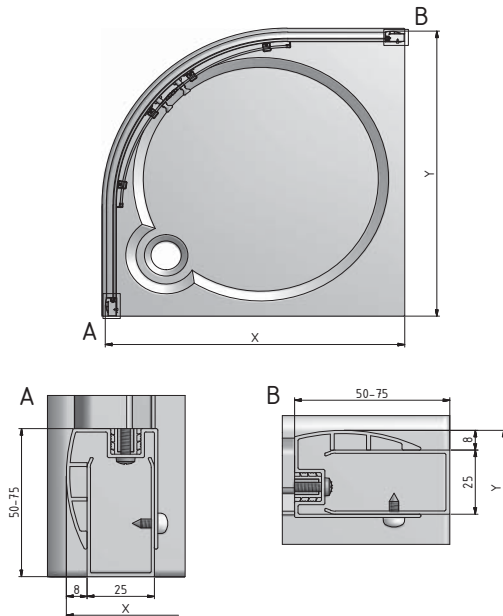
Varianta	X (mm)
800	775-815
900	875-915
1000	975-1015
1100	1075-1115

■ ECDO1N + ECDBN



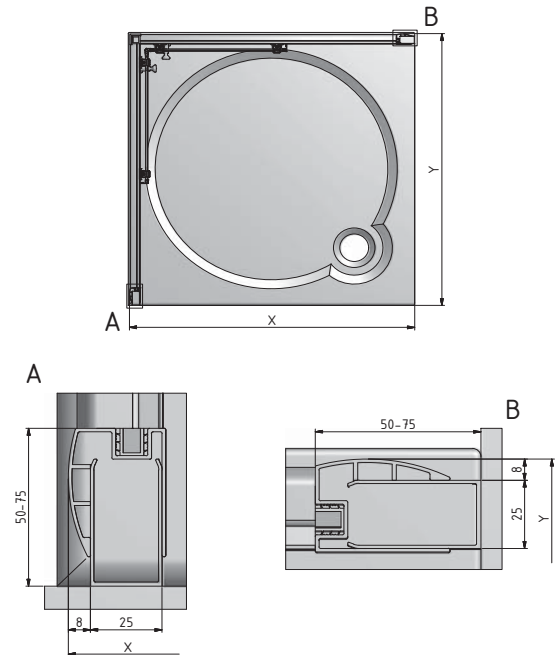
Varianta	X (mm)	Y (mm)
800	775-815	770-810
900	875-915	870-910
1000	975-1015	970-1010
1100	-	1070-1110

■ PXR2N



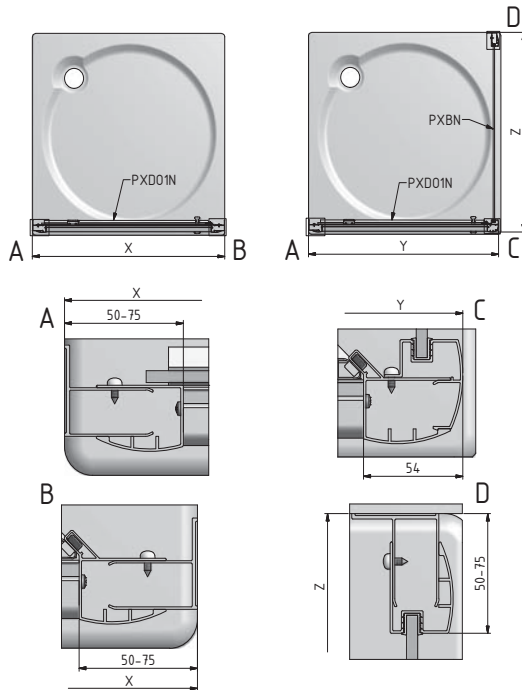
Varianta	X (mm)	Y (mm)
800	780-805	780-805
900	880-905	880-905
1000	980-1005	980-1005

■ PXS2L + PXS2P



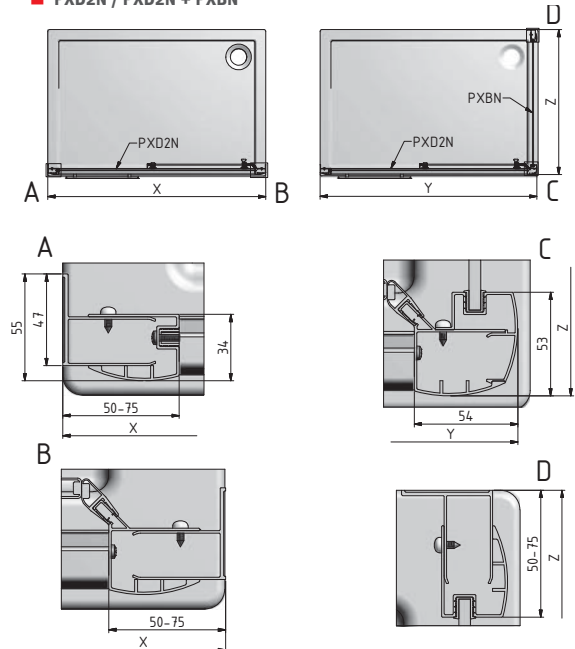
Varianta	X (mm)	Y (mm)
800×800	786-810	786-810
900×900	886-910	886-910
1000×1000	986-1010	986-1010

■ PXD01N / PXD01N + PXBN



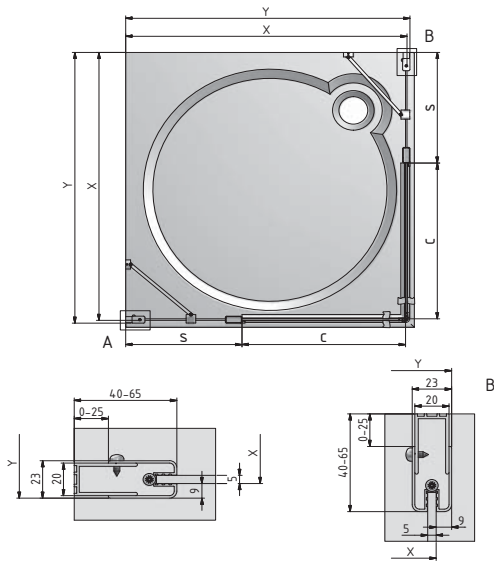
Varianta	X (mm)	Y (mm)	Varianta	Z (mm)
800	772-822	775-800	700	680-705
900	872-922	875-900	800	780-805
1000	972-1022	975-1000	900	880-905
1100	1072-1122	1075-1100	1000	980-1005

■ PXD2N / PXD2N + PXBN



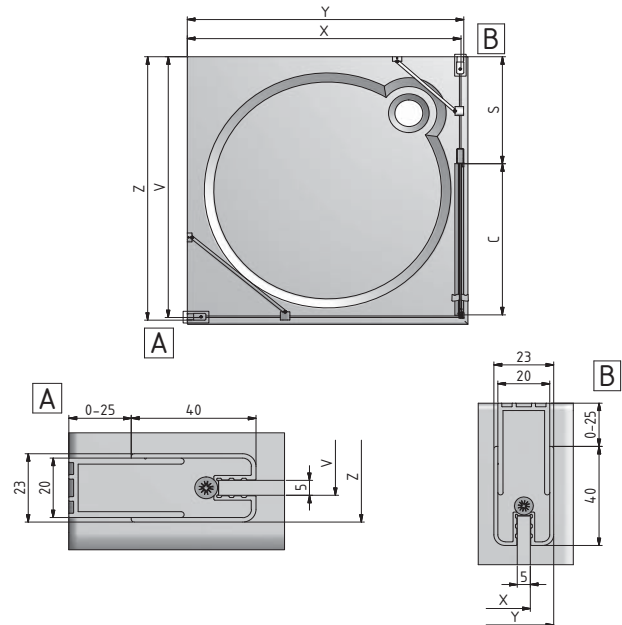
Varianta	X (mm)	Y (mm)	Varianta	Z (mm)
1100	1080-1130	1085-1110	700	680-705
1200	1180-1230	1185-1210	800	780-805
1300	1280-1330	1285-1310	900	880-905
1400	1380-1430	1385-1410	1000	980-1005
1500	1480-1530	1485-1510		
1600	1580-1630	1585-1610		

■ LYE4 + LYE4



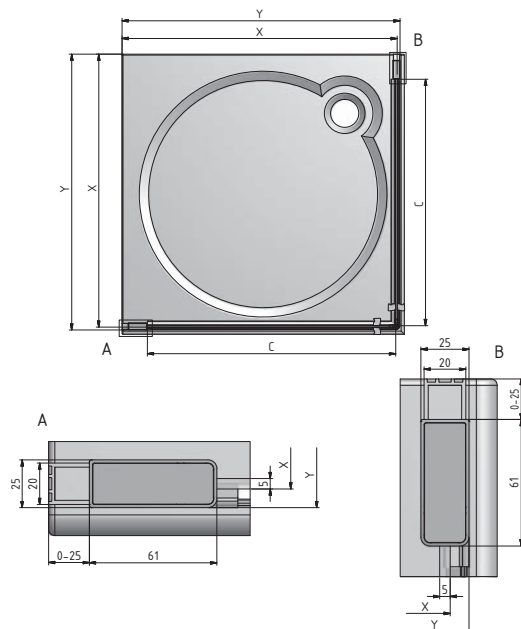
Varianta	X (mm)	Y (mm)	S (mm)	C (mm)
800	758-783	767-792	243-268	510
900	858-883	867-892	343-368	510
1000	958-983	967-992	343-368	610
1100	1058-1083	1067-1092	443-468	610
1200	1158-1183	1167-1192	443-468	710

■ LYE4 + LYSW1S



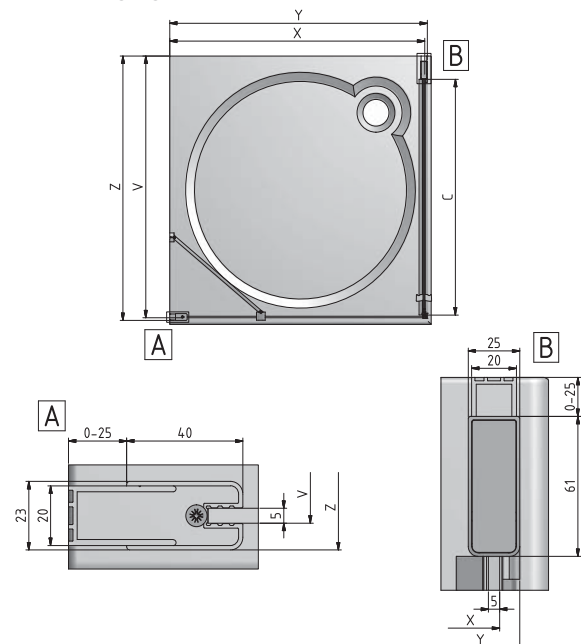
Varianta	X (mm)	Y (mm)	V (mm)	Z (mm)	S (mm)	C (mm)
800	758-783	767-792	761-786	770-795	243-268	510
900	858-883	867-892	861-886	870-895	343-368	510
1000	958-983	967-992	961-986	970-995	343-368	610
1100	-	-	1061-1086	1070-1095	443-468	610
1200	-	-	1161-1186	1170-1195	443-468	710

■ LYE2 + LYE2



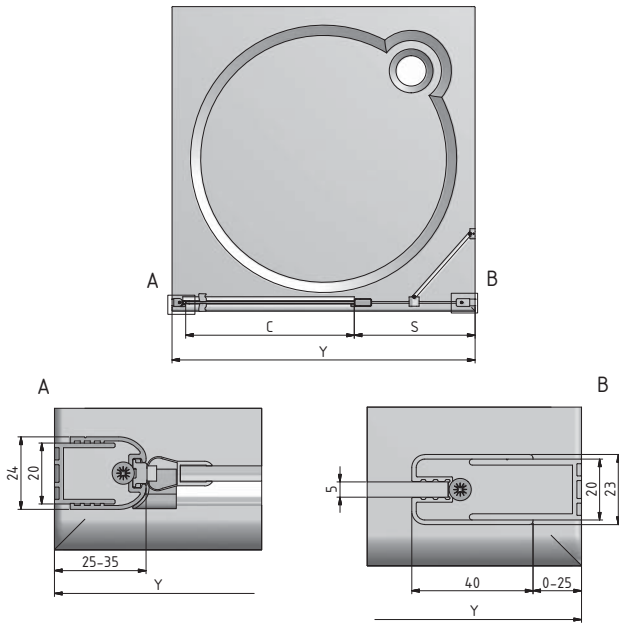
Varianta	X (mm)	Y (mm)	C (mm)
800	758-783	767-792	690
900	858-883	867-892	790
1000	958-983	967-992	890

■ LYE2 + LYSW1S



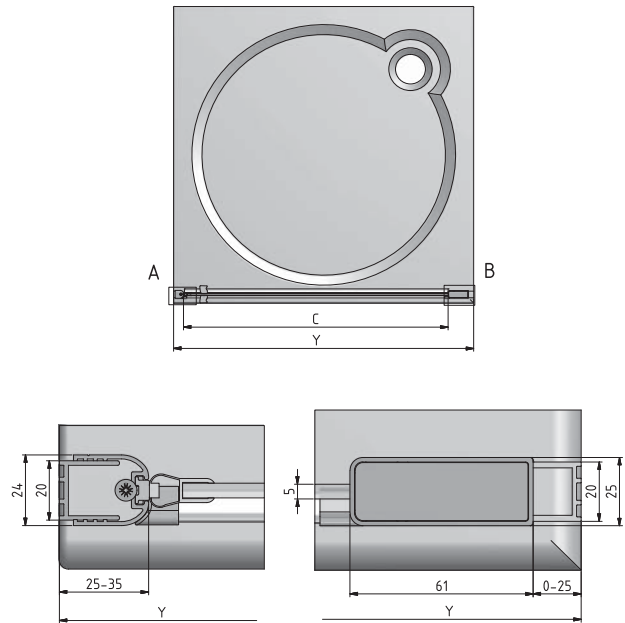
Varianta	X (mm)	Y (mm)	V (mm)	Z (mm)	C (mm)
800	758-783	767-792	761-786	770-795	690
900	858-883	867-892	861-886	870-895	790
1000	958-983	967-992	961-986	970-995	890

■ LYE4 + LZ



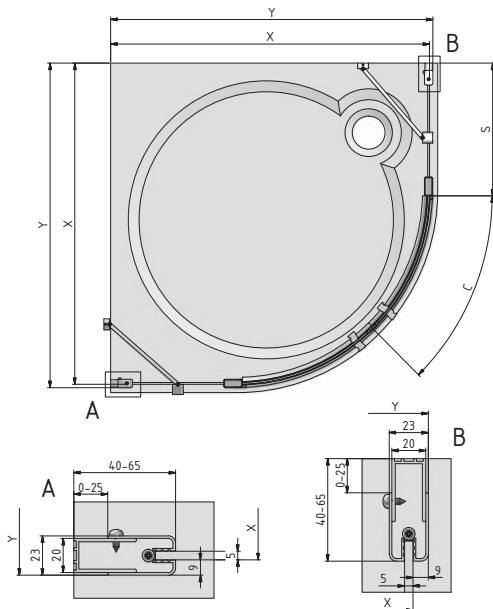
Varianta	Y (mm)	C (mm)	S (mm)
800	780-815	510	243-268
900	880-915	510	343-368
1000	980-1015	610	343-368
1100	1080-1115	610	443-468
1200	1180-1215	710	443-468

■ LYE2 + LZ



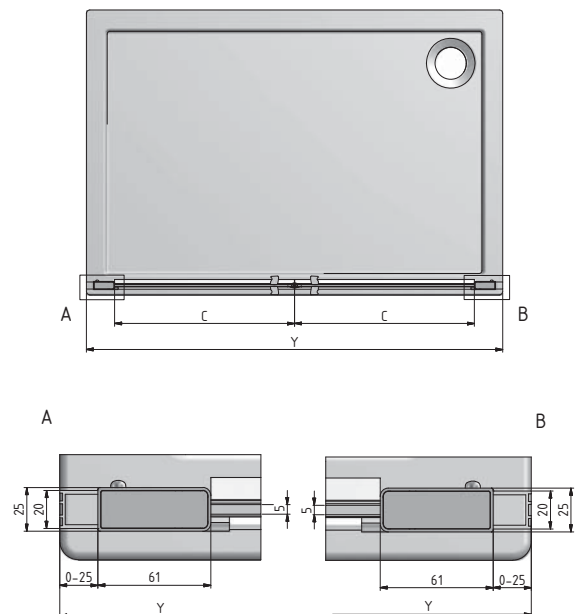
Varianta	Y (mm)	C (mm)
800	780-815	690
900	880-915	790
1000	980-1015	890

■ LYR4



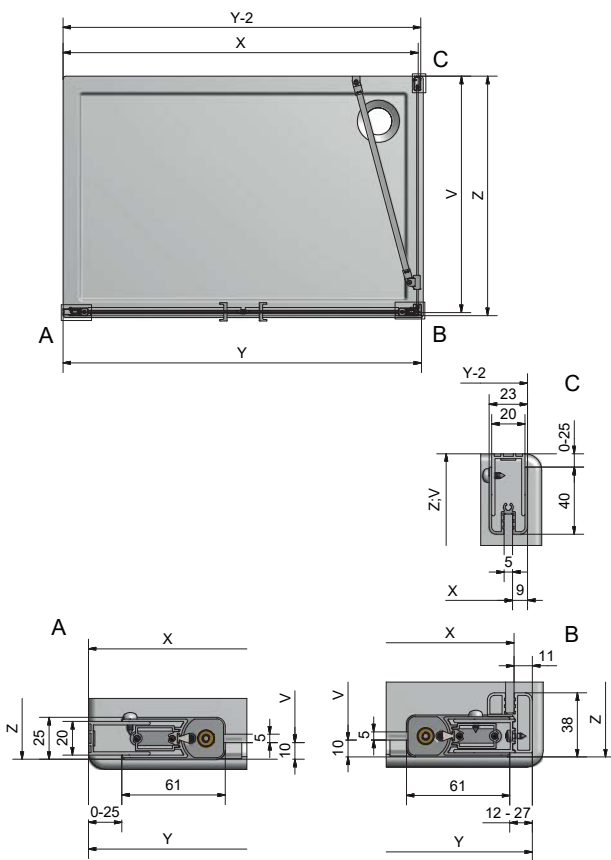
Varianta	X (mm)	Y (mm)	S (mm)	C (mm)
800	758-783	767-792	243-268	395
900	858-883	867-892	343-368	395
1000	958-983	967-992	443-468	395

■ LYP2



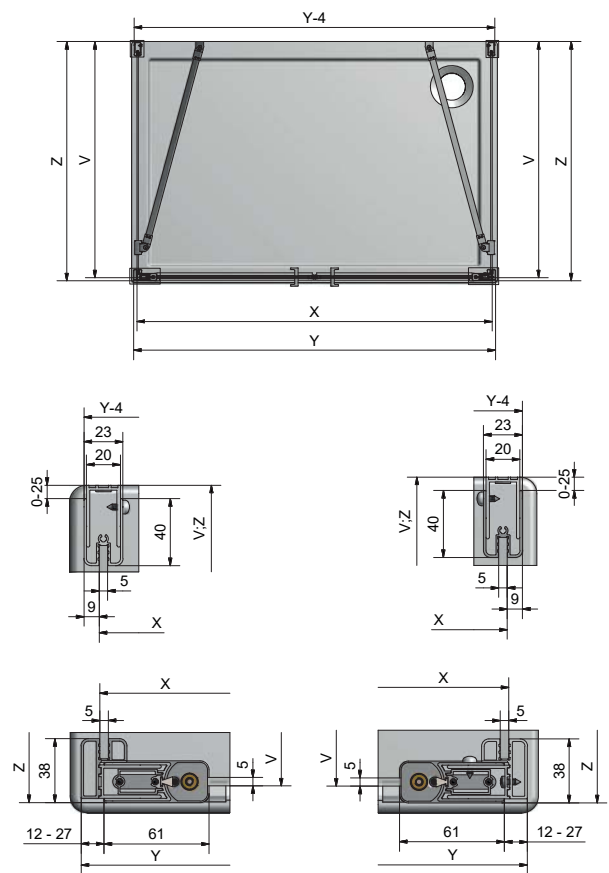
Varianta	Y (mm)	C (mm)
800	760-810	320
900	860-910	370
1000	960-1010	420
1100	1060-1110	470
1200	1160-1210	520

■ LYP2 + LYSW1AP2



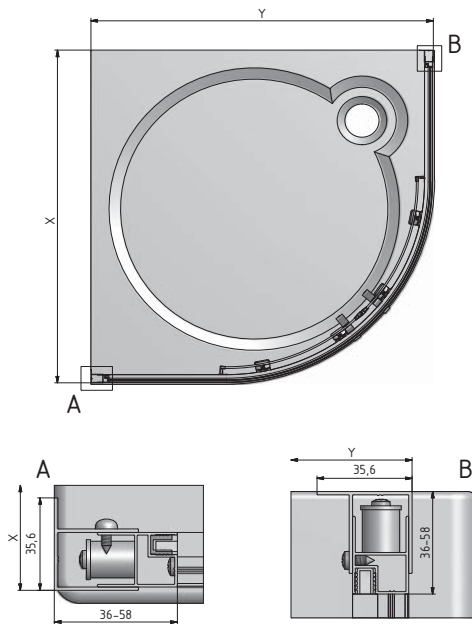
Varianta	X (mm)	Y (mm)	V (mm)	Z (mm)
750	-	-	725-750	735-760
800	749-789	760-800	775-800	785-810
900	849-889	860-900	875-900	885-910
1000	949-989	960-1000	975-1000	985-1010
1100	1049-1089	1060-1100	-	-
1200	1149-1189	1160-1200	-	-

■ LYSW1AP2 + LYP2 + LYSW1AP2



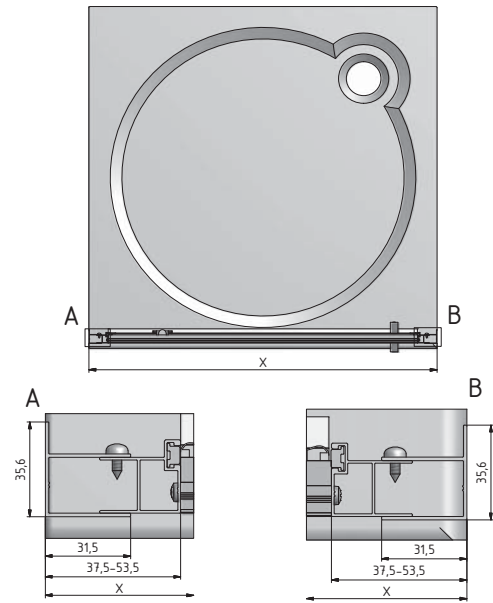
Varianta	X (mm)	Y (mm)	V (mm)	Z (mm)
750	-	-	725-750	735-760
800	762-792	784-814	775-800	785-810
900	862-892	884-914	875-900	885-910
1000	962-992	984-1014	975-1000	985-1010
1100	1062-1092	1084-1114	-	-
1200	1162-1192	1184-1214	-	-

■ LLR2



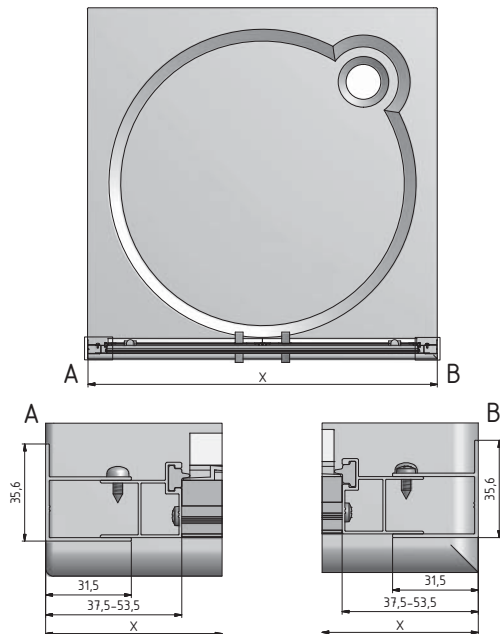
Varianta	X (mm)	Y (mm)
800	776-798	776-798
900	876-898	876-898

■ LLD01



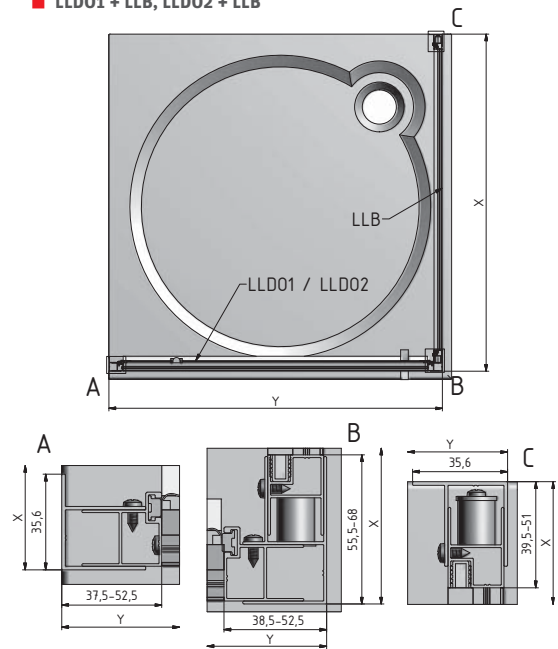
Varianta	X (mm)
700	675-707
800	775-807
900	875-907
1000	975-1007

■ LLD02



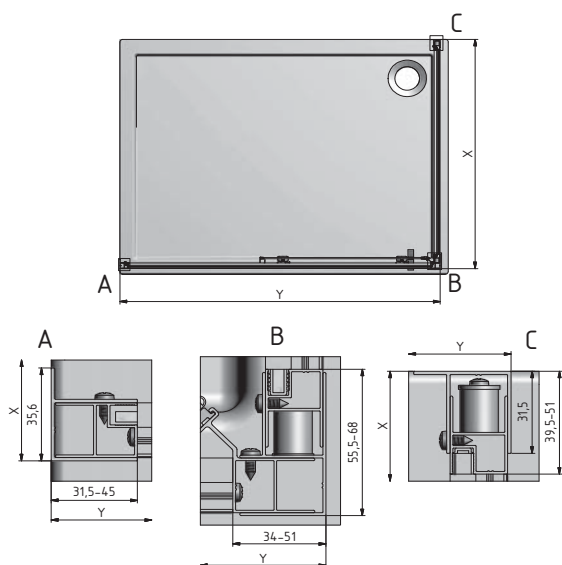
Varianta	X (mm)
700	672-704
800	772-804
900	872-904
1000	972-1004

■ LLD01 + LLB, LLD02 + LLB



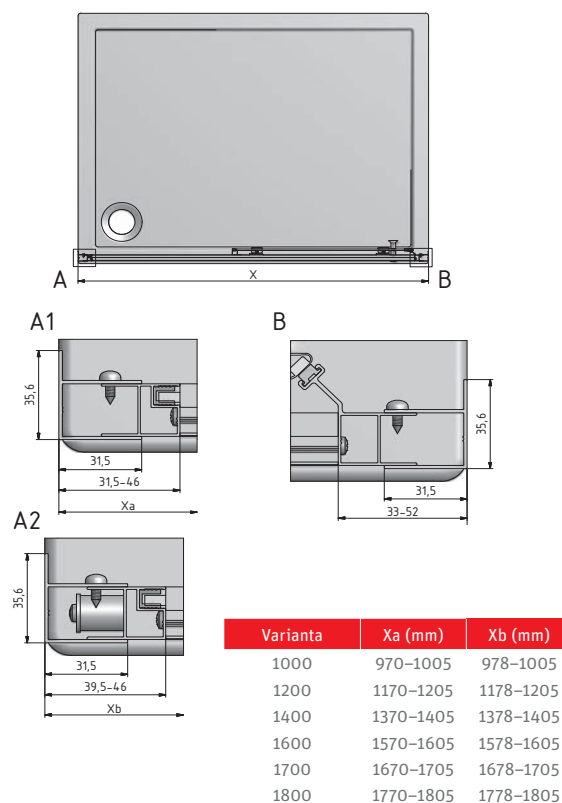
Varianta	X (mm)	Y (mm)
700	679-705	675-705
750	729-755	-
800	779-805	775-805
900	879-905	875-905
1000	979-1005	975-1005

■ LLD2 + LLB



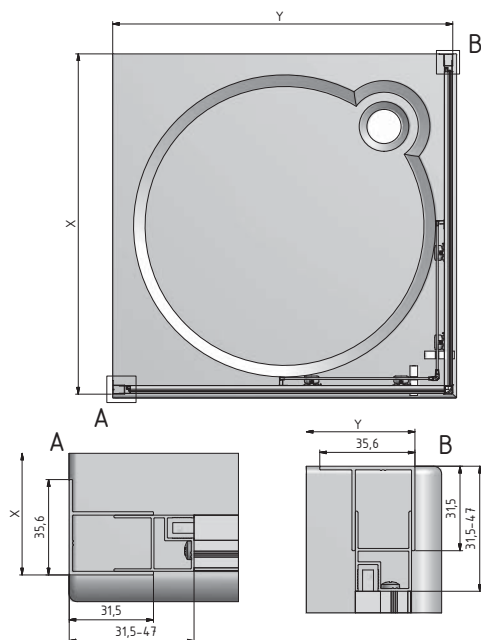
Varianta	X (mm)	Y (mm)
700	679-705	-
750	729-765	-
800	779-805	-
900	879-905	-
1000	979-1005	970-1005
1200	-	1170-1205
1400	-	1370-1405
1600	-	1570-1605

■ LLD2



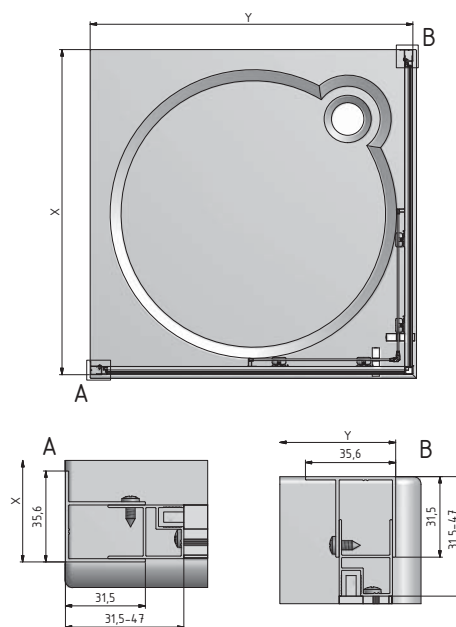
Varianta	Xa (mm)	Xb (mm)
1000	970-1005	978-1005
1200	1170-1205	1178-1205
1400	1370-1405	1378-1405
1600	1570-1605	1578-1605
1700	1670-1705	1678-1705
1800	1770-1805	1778-1805

■ LLS2 - smont



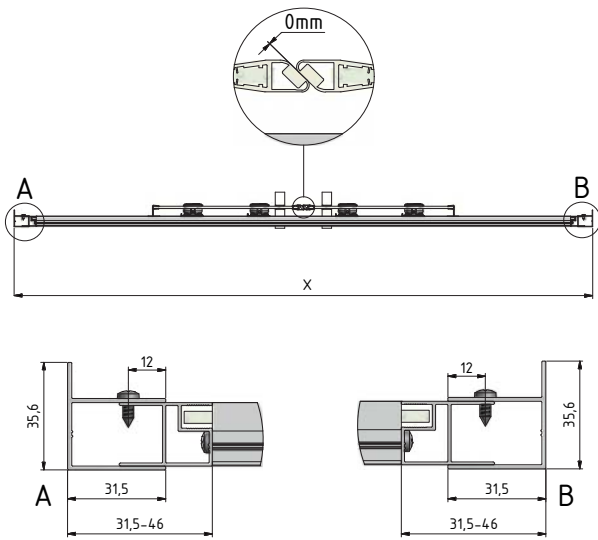
Varianta	X (mm)	Y (mm)
800x800	775-790	775-790
900x900	875-890	875-890

■ LLS2 - nesmont



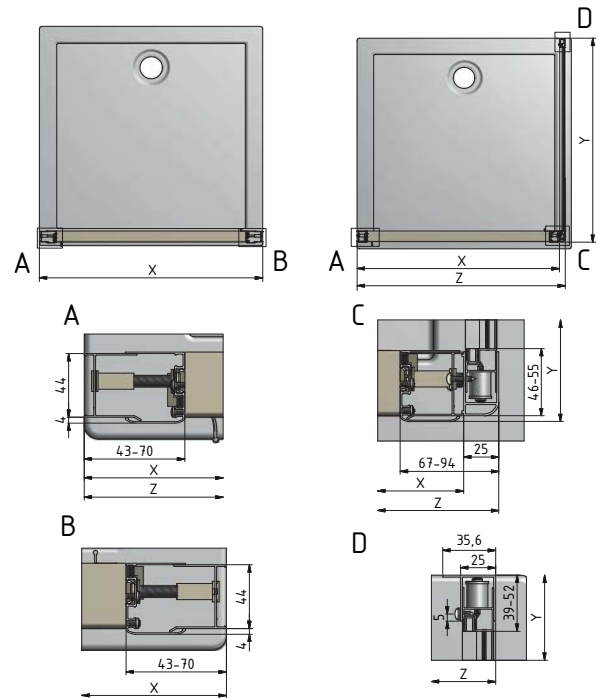
Varianta	X (mm)	Y (mm)
1000x800 (800x1000)	975-990 (775-790)	775-790 (975-990)
1200x800 (800x1200)	1175-1190 (775-790)	775-790 (1175-1190)
1200x900 (900x1200)	1175-1190 (875-890)	875-890 (1175-1190)

■ LLD4



Varianta	X (mm)
1100	1080-1110
1200	1180-1210
1300	1280-1310
1400	1380-1410
1500	1480-1510
1600	1580-1610

■ PD3N + LLBD



Varianta	X (mm)
800	750-805
900	850-905
1000	950-1005

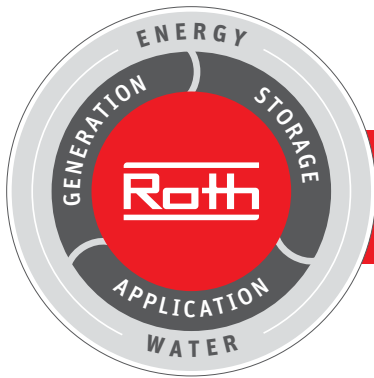
Varianta	Z (mm)	Y (mm)
700	-	675-695
750	-	725-745
800	775-830	775-795
900	875-930	875-895
1000	975-1030	975-995

Roth









Roth Energy and Sanitary Systems

Generation

- Solar systems <
- Heat pump systems <

Storage

- Storage systems for
- Domestic & heating water <
- Combustibles and biofuels <
- Rainwater and waste water <

Application

- > Radiant heating and cooling systems
- > Pipe installation systems
- > Shower systems

Roth

Roth Czech s.r.o.

Třebořov 160
569 33 Czech Republic
tel.: +420 461 353 611
e-mail: objednavky@roth-czech.cz
www.roth-czech.cz/en