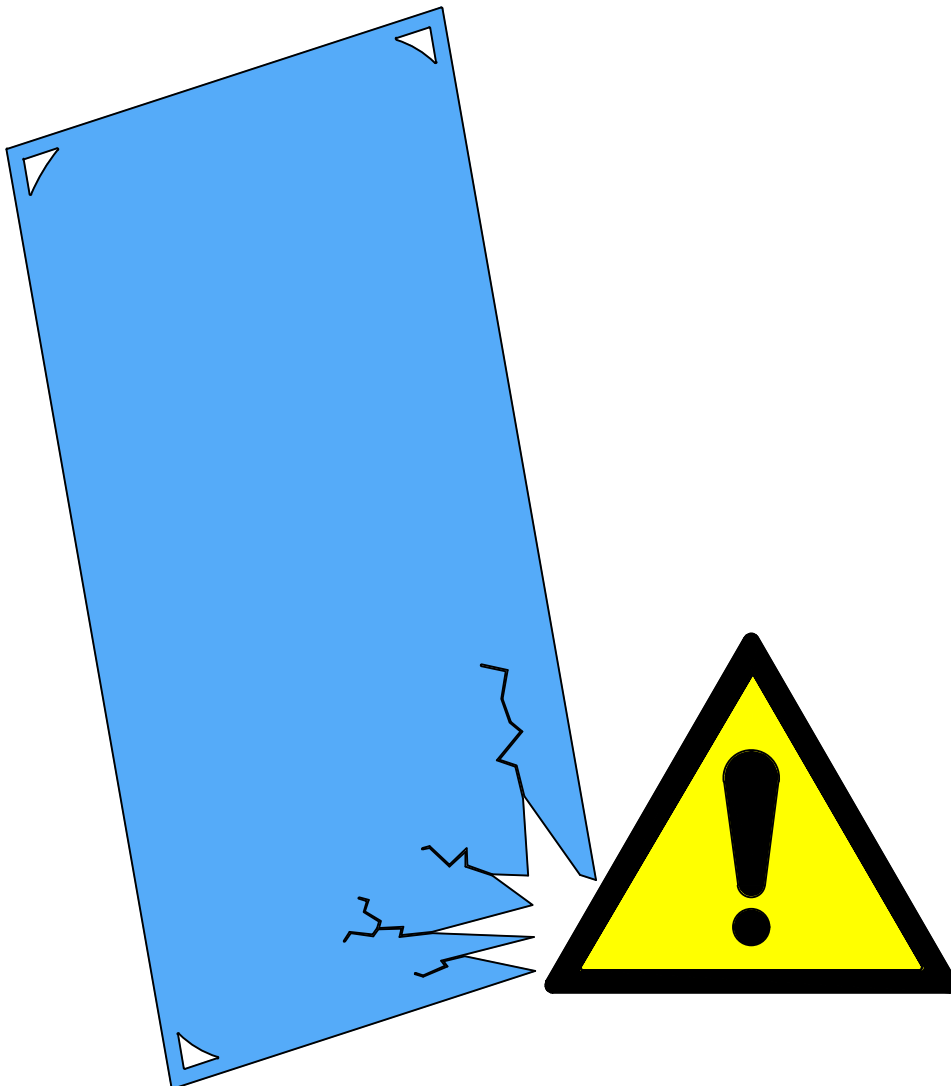
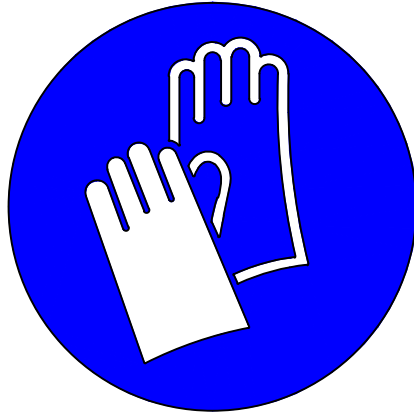
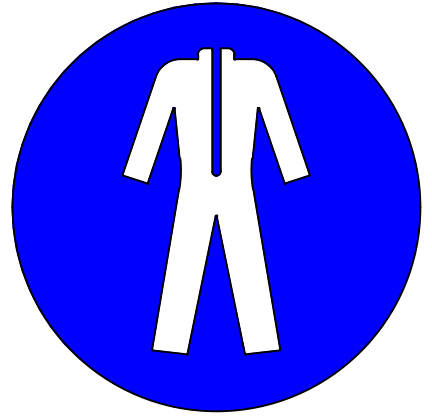
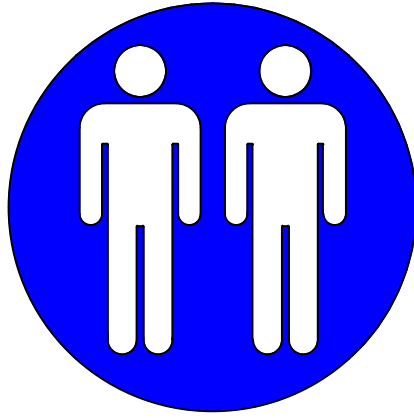


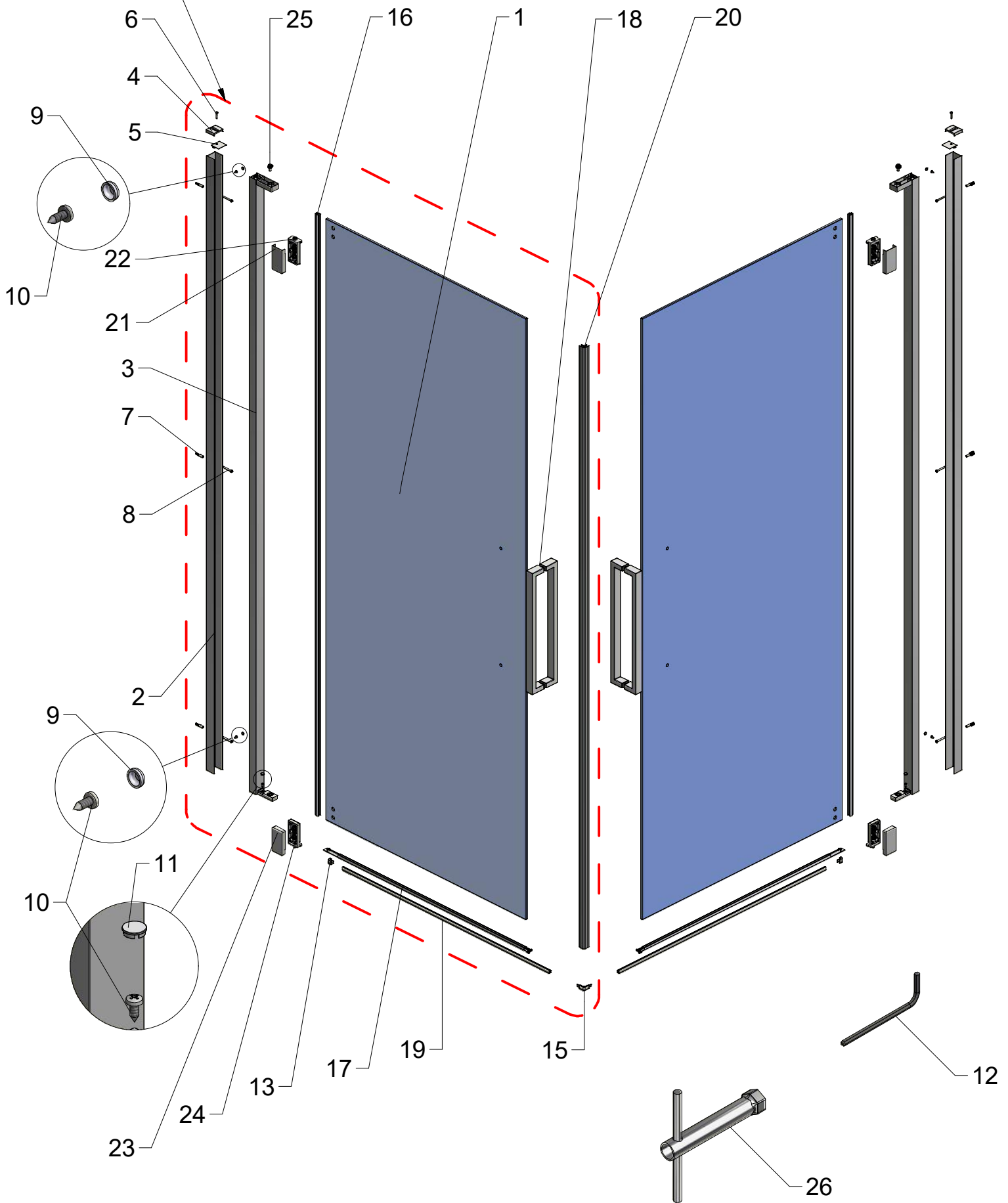
**Montageanleitung
Assembling Instruction
Montážní návod**



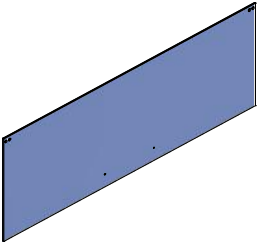
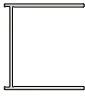
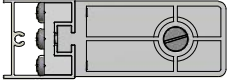
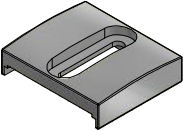
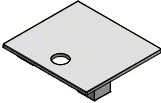







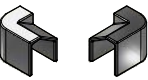


Shower for life




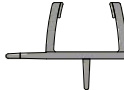


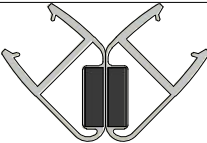

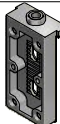

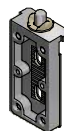

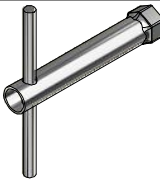
HI PI2



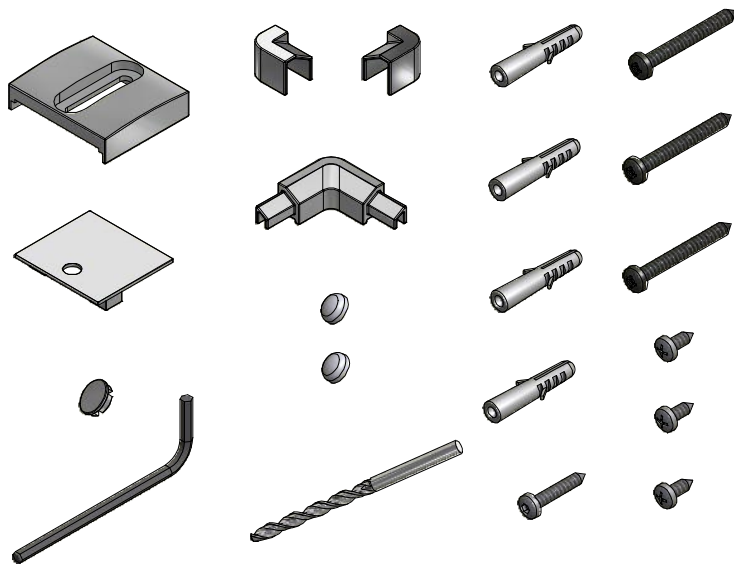
HI PI2

POS.	PREVIEW	PCS	SPARE PART
1		1	V278
2		1	ND01-4001
3		1	ND01-4000
4		1	ND01-3995
5		1	ND01-3995
6		1	ND01-3995
7		4	ND01-3995
8		3	ND01-3995
9		2	ND01-3995
10		3	ND01-3995
11		1	ND01-3995
12		1	ND01-3995
13		1+1 (SET)	ND01-3995
14		1	ND01-3995
15		1	ND01-3995

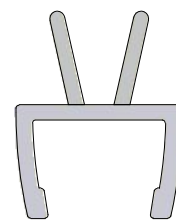
HI PI2

POS.	PREVIEW	PCS	SPARE PART
16		1	ND01-3996
17		1	ND01-3997
18		1	ND01-4003
19		1	ND01-4002
20		1+1 (SET)	ND01-3998
21		1	ND01-3999
22		1	ND01-3999
23		1	ND01-3999
24		1	ND01-3999
25		1	ND01-3999
26		1	-

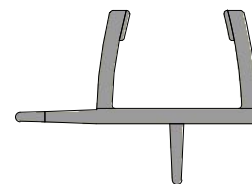
ND01-3995



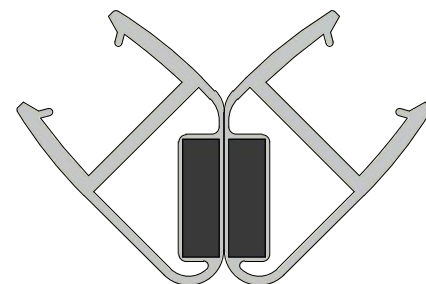
ND01-3996



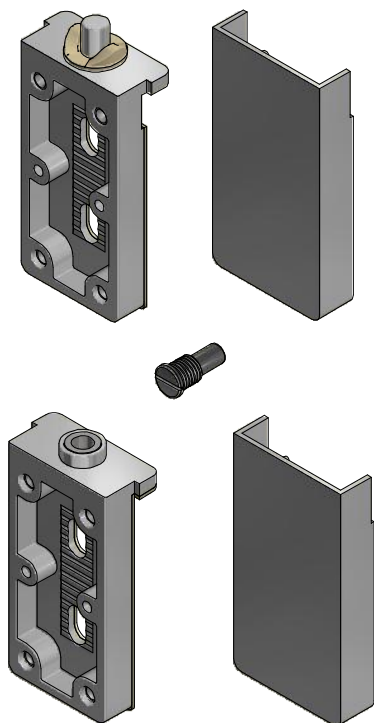
ND01-3997



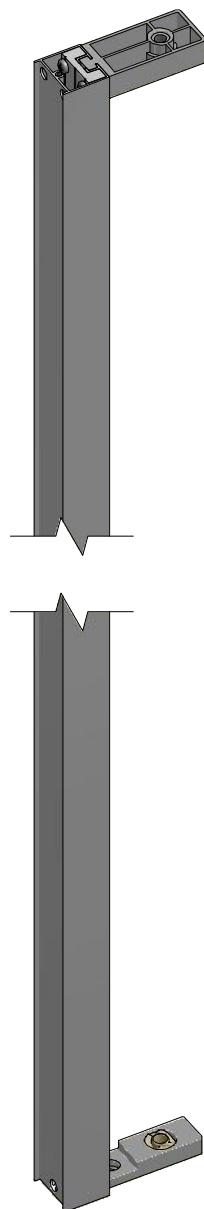
ND01-3998



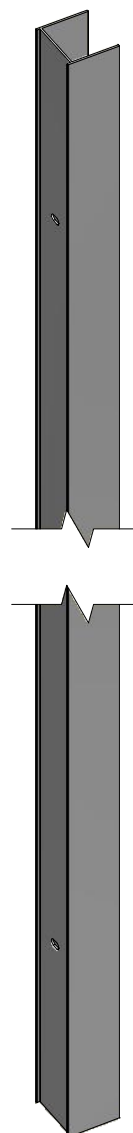
ND01-3999



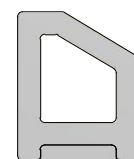
ND01-4000



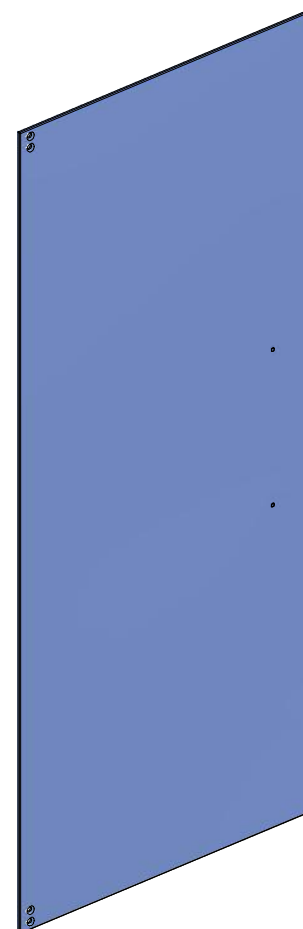
ND01-4001



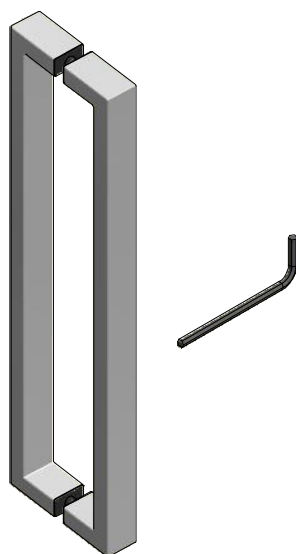
ND01-4002



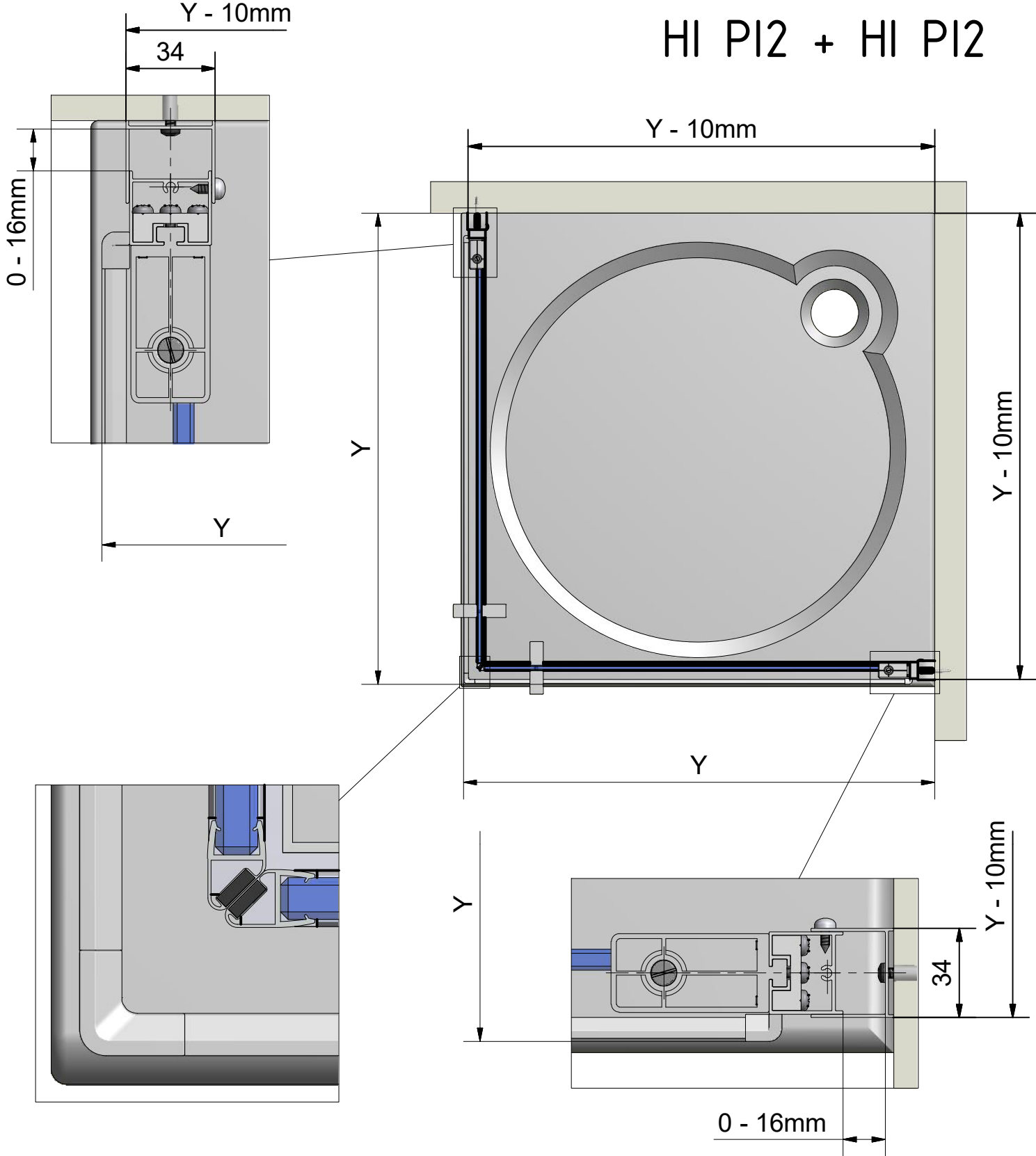
V278



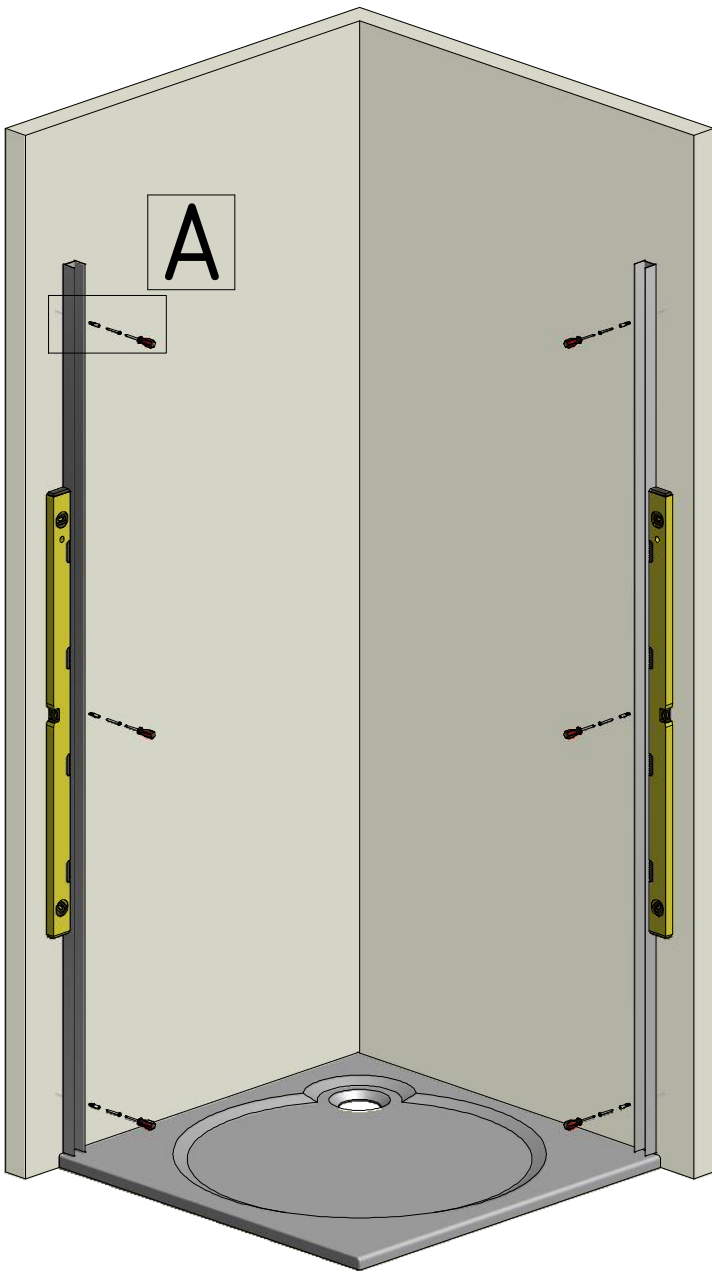
ND01-4003



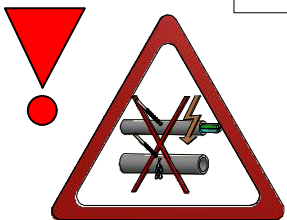
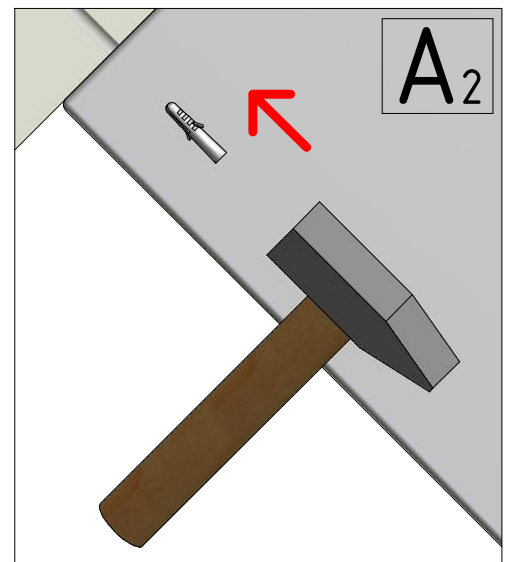
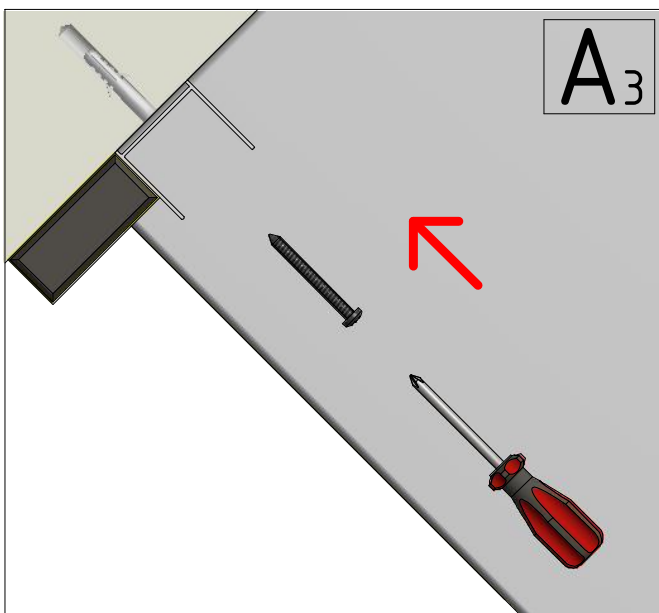
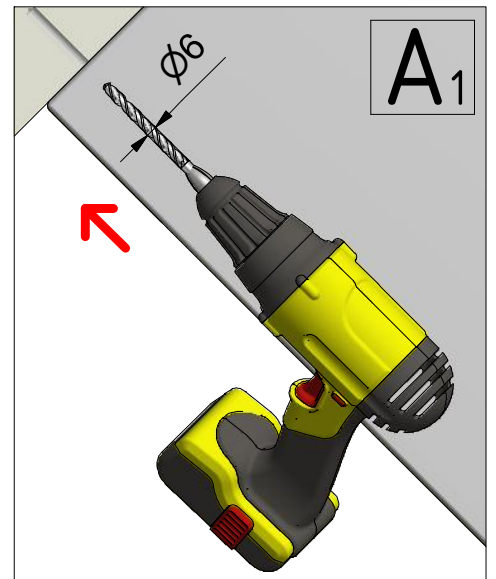
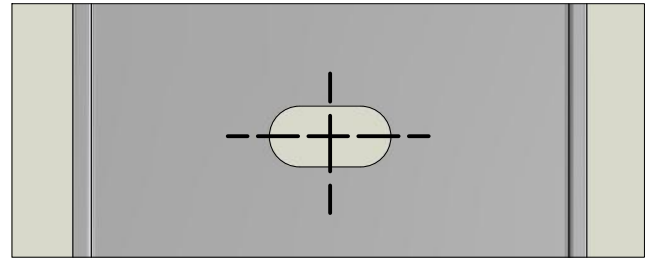
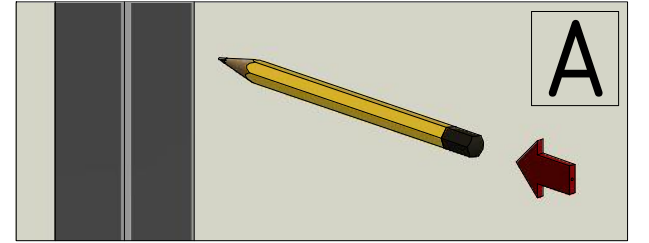
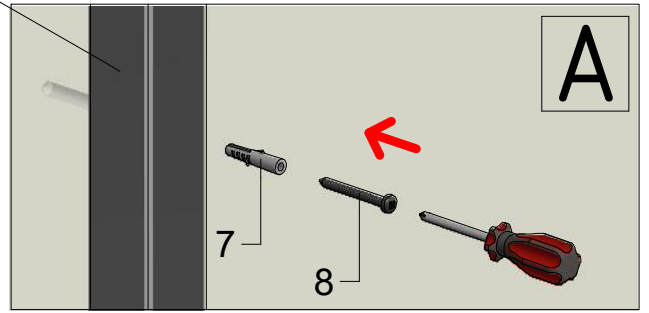
HI PI2 + HI PI2

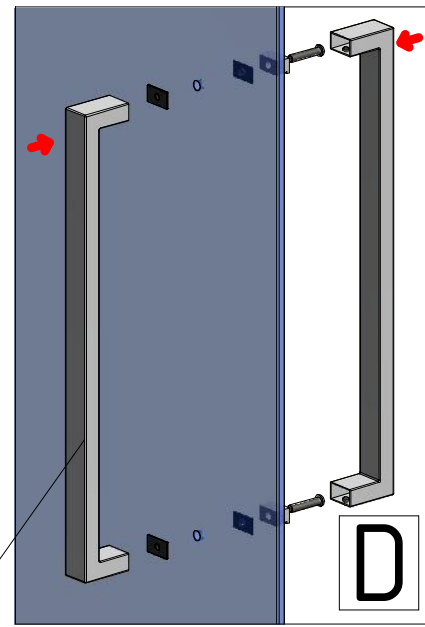
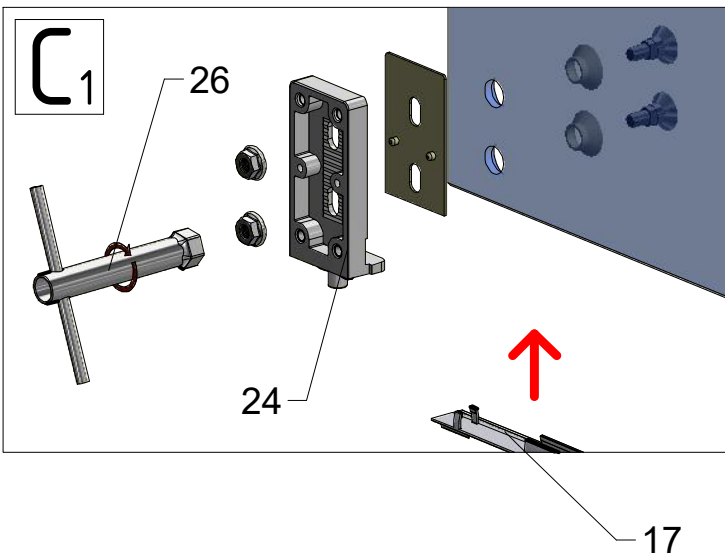
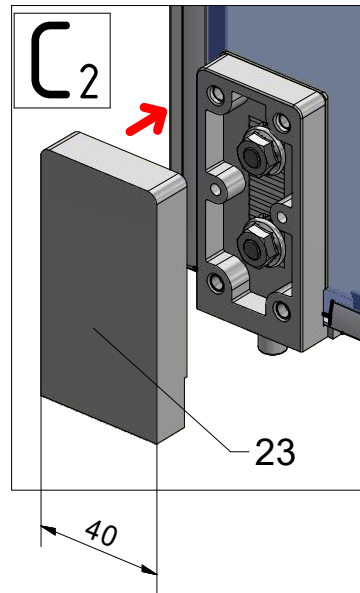
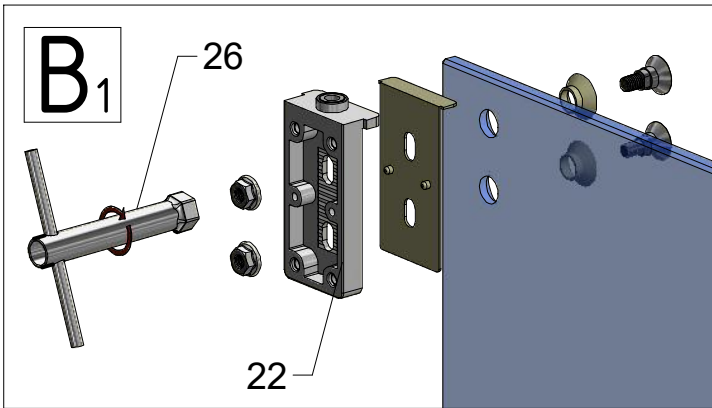
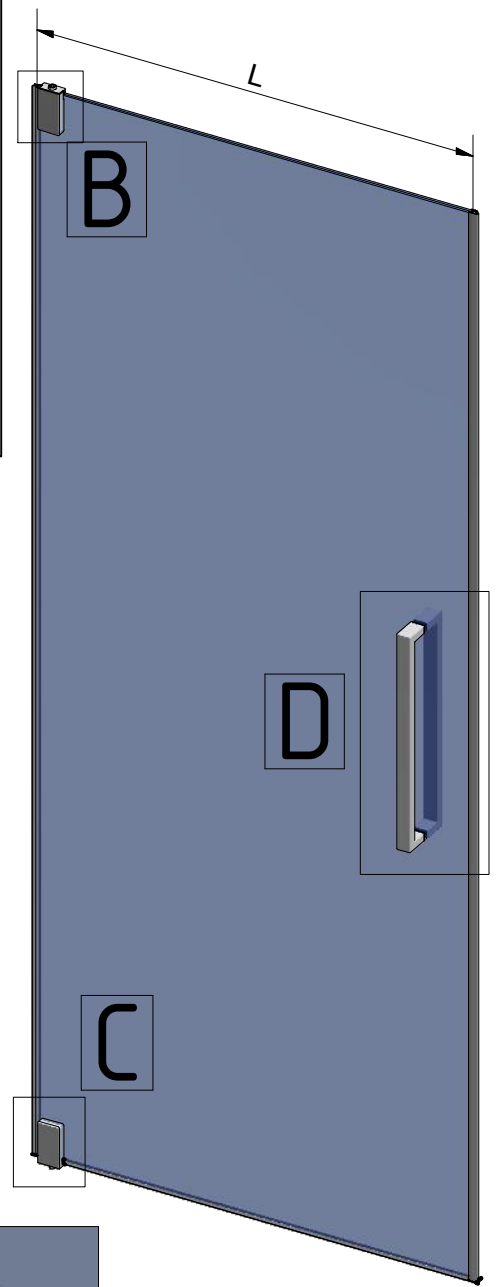
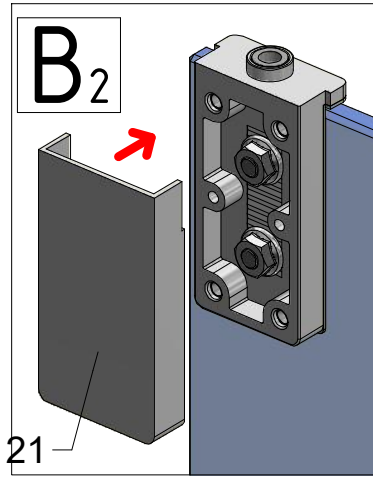
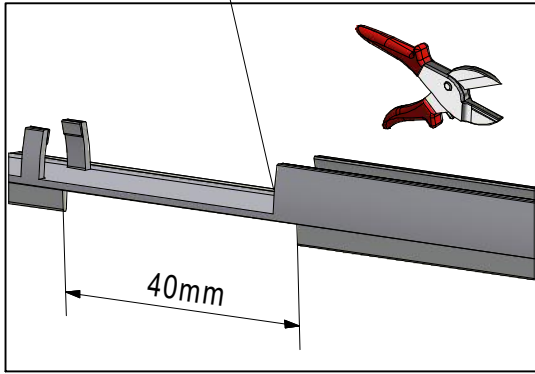
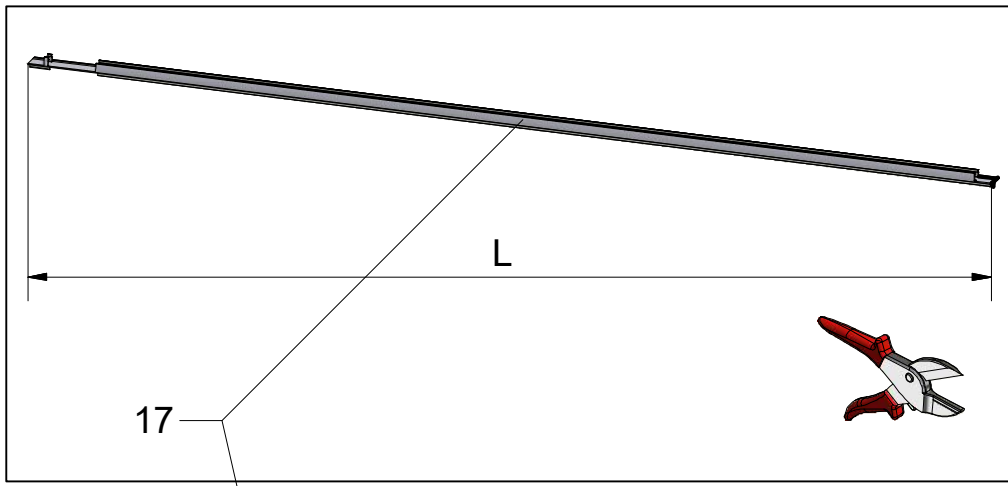


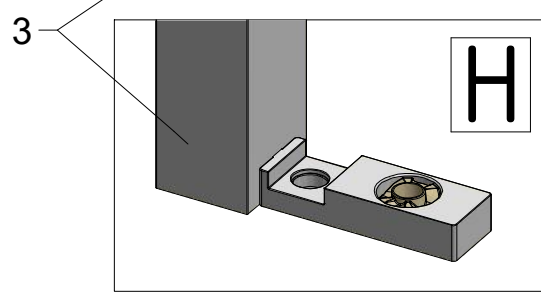
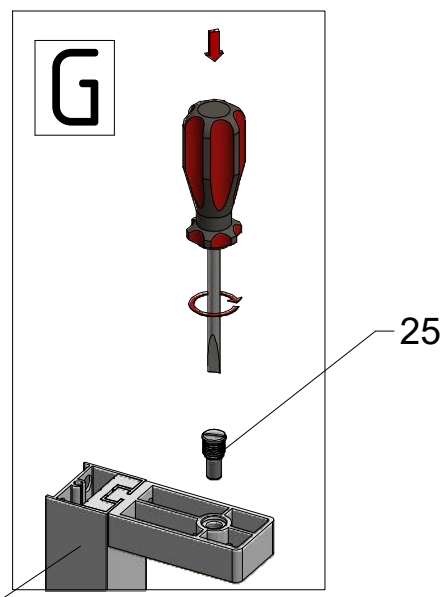
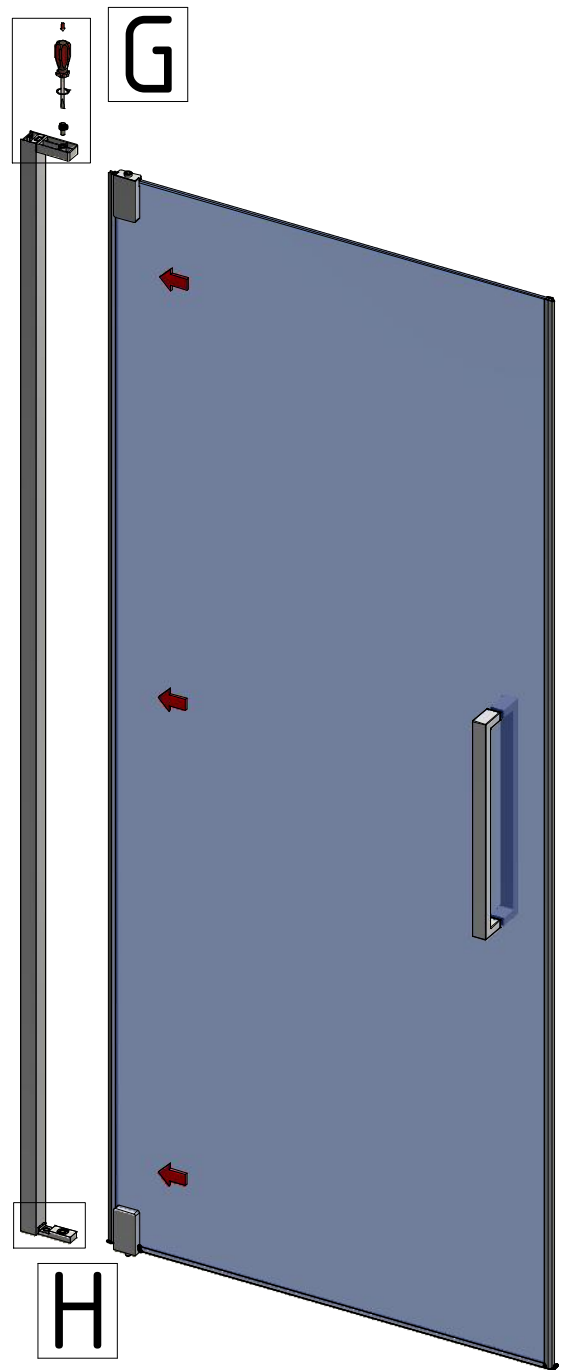
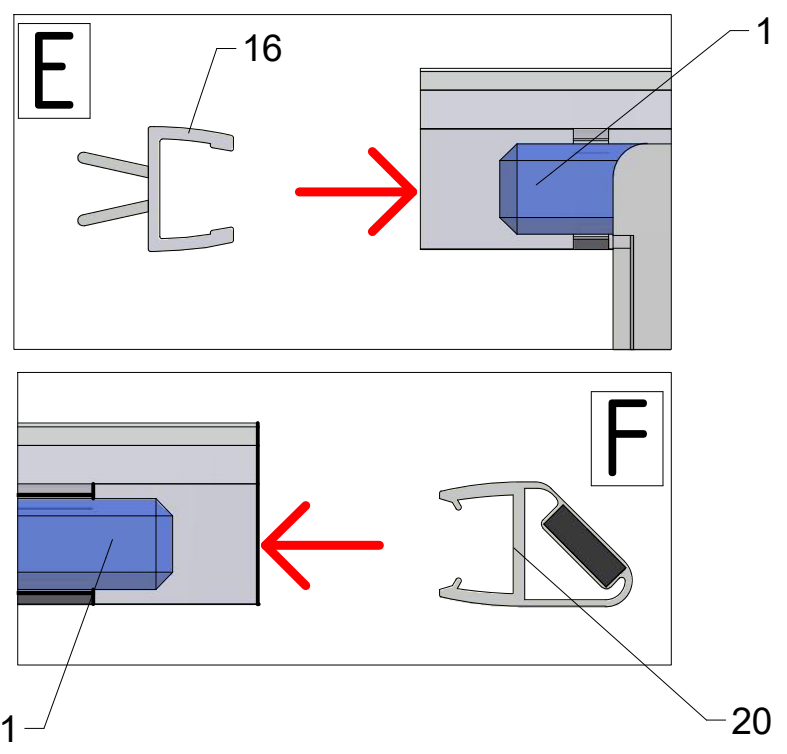
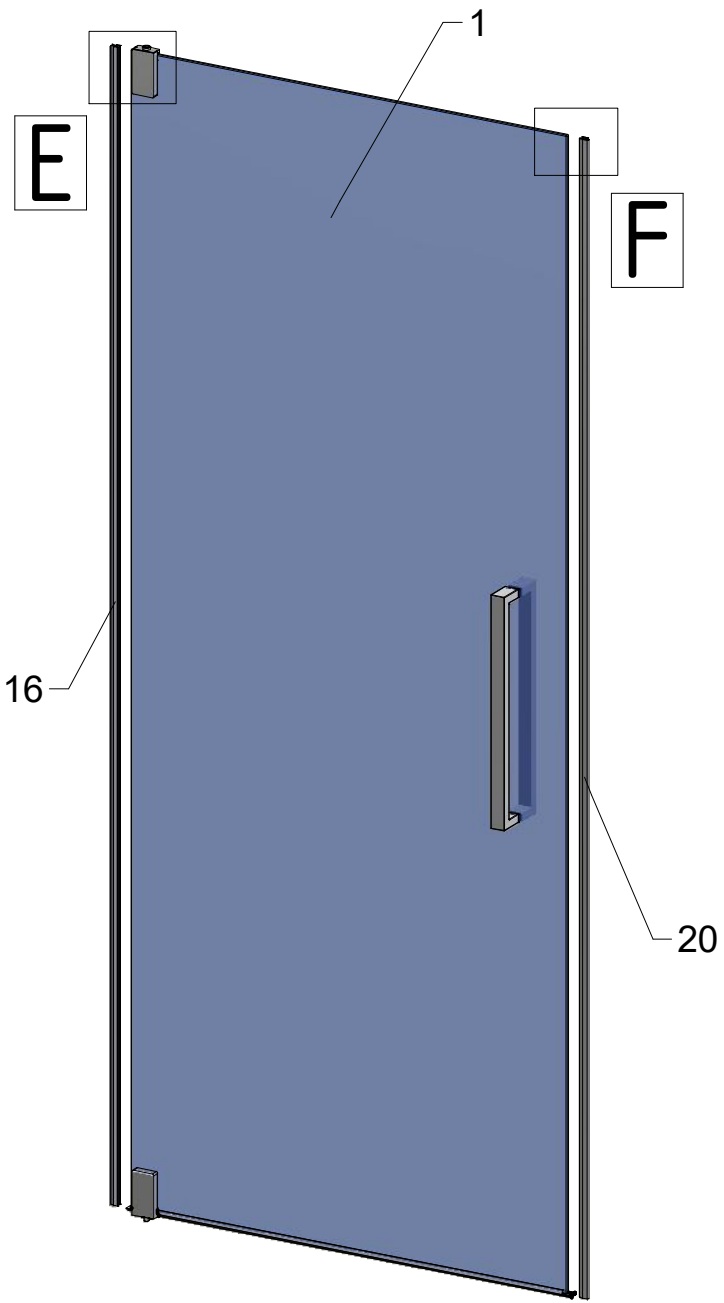
HI PI2 + HI PI2		
TYPE	Y (mm)	Y - 10 (mm)
800	782 - 798	772 - 788
900	882 - 898	872 - 888
1000	982 - 998	972 - 988

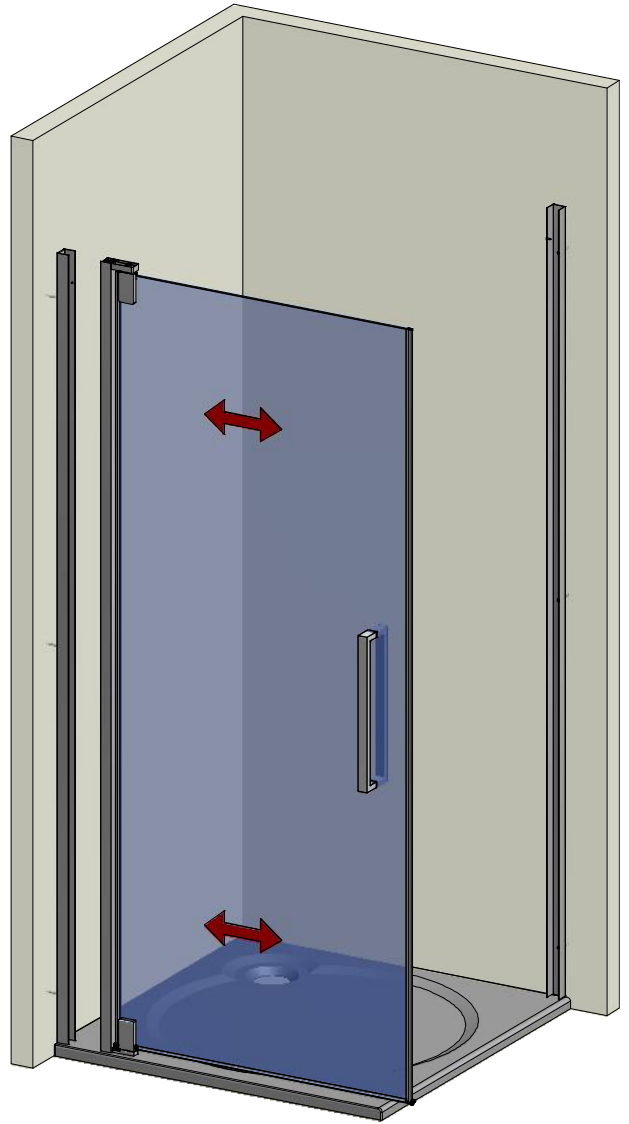
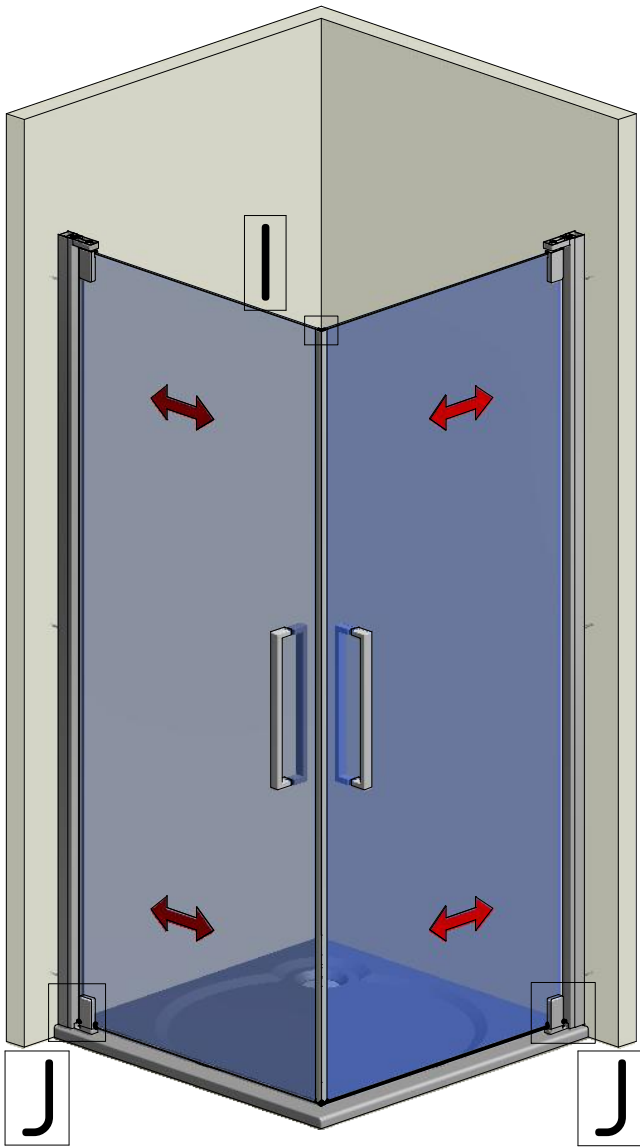


2

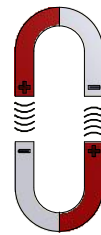
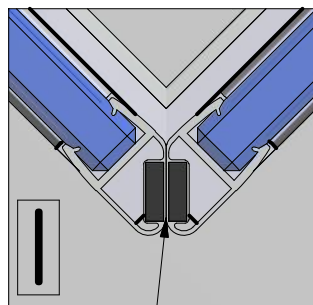




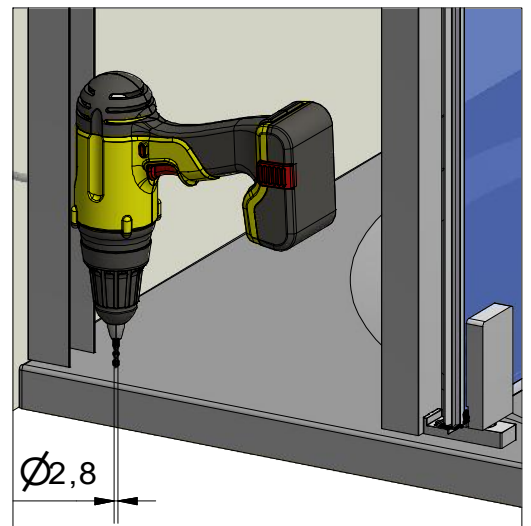
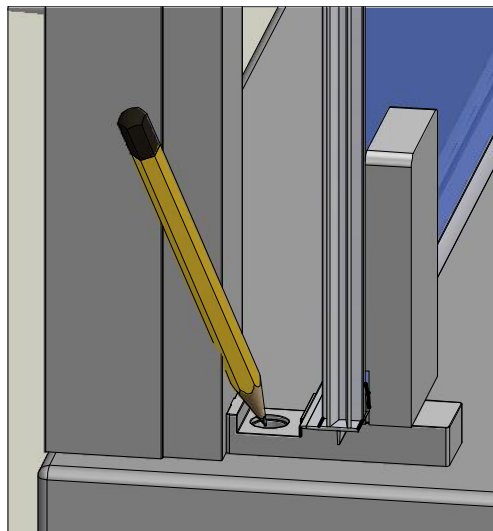




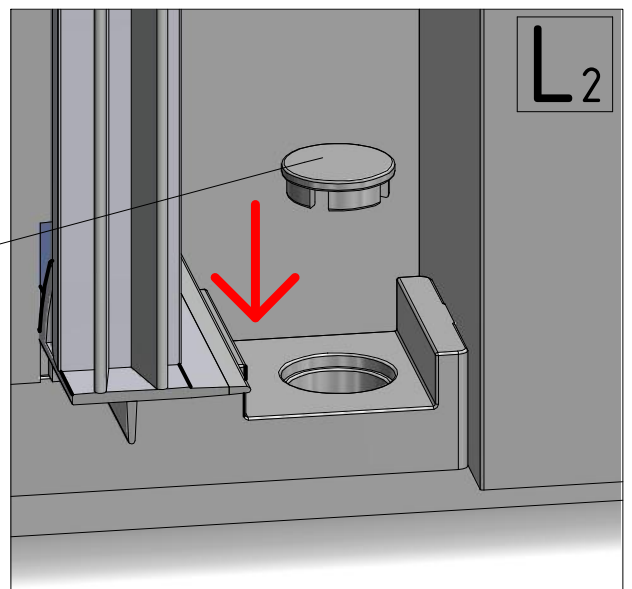
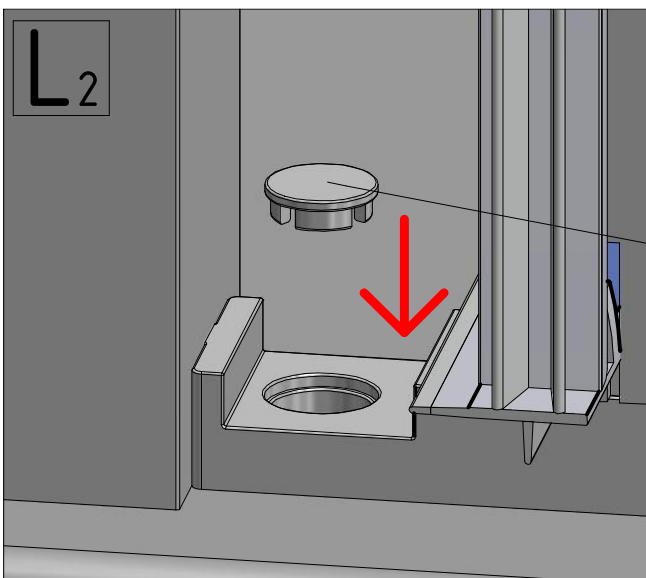
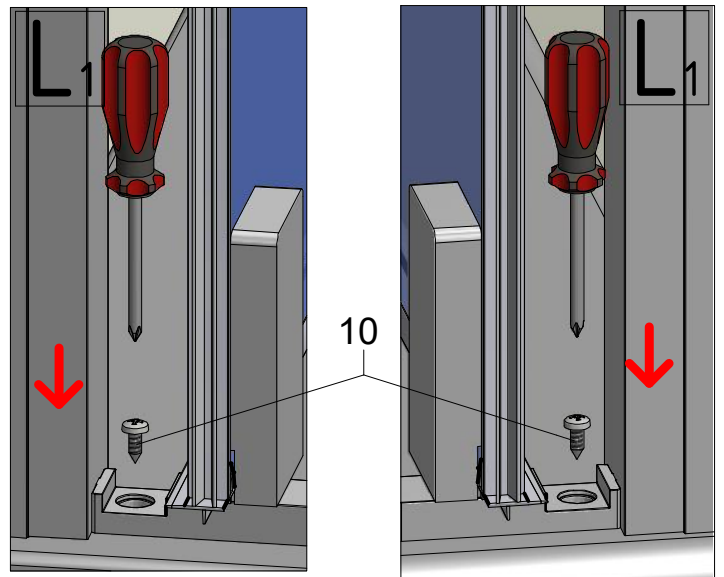
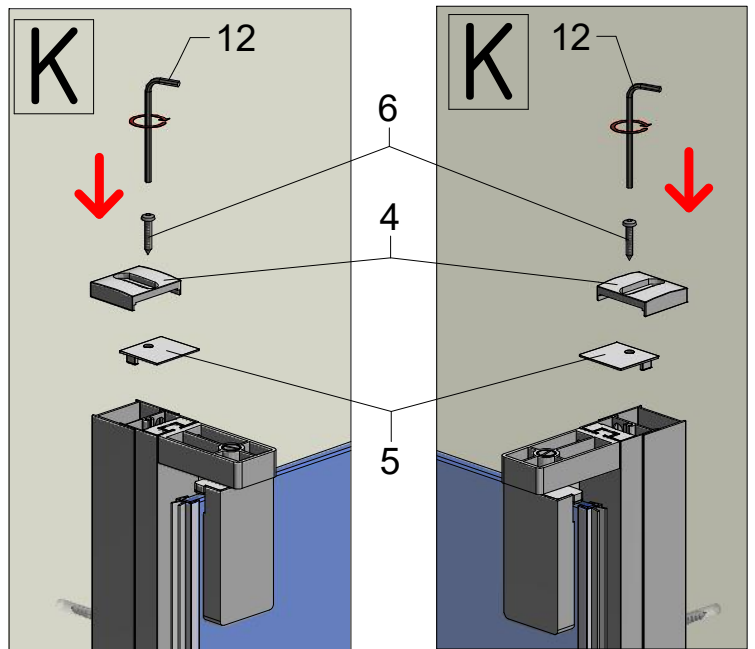
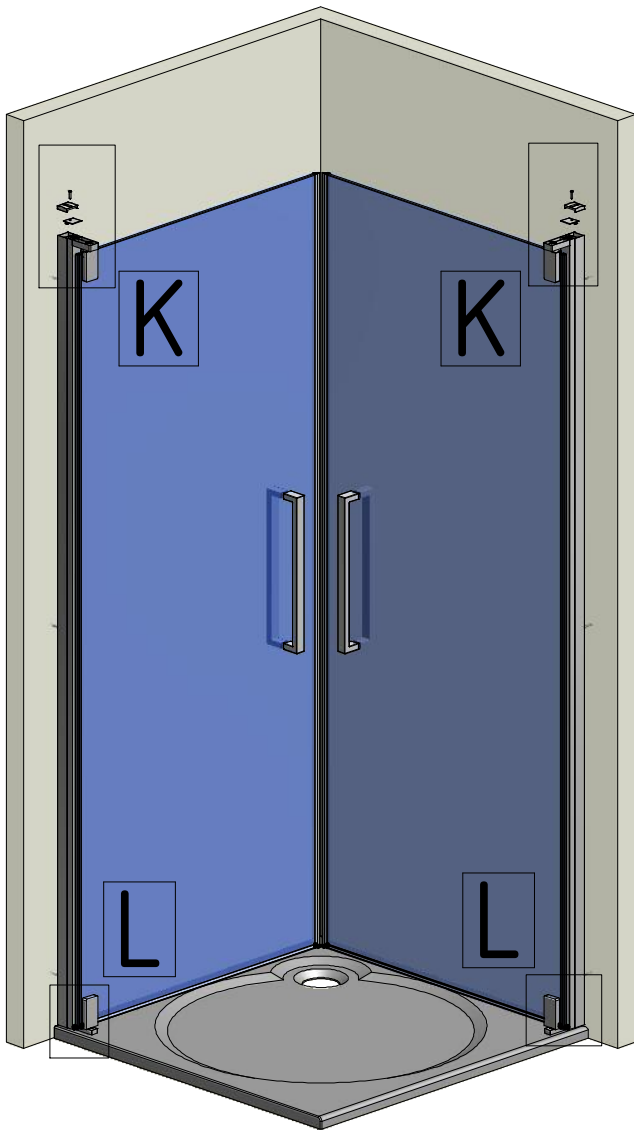
J

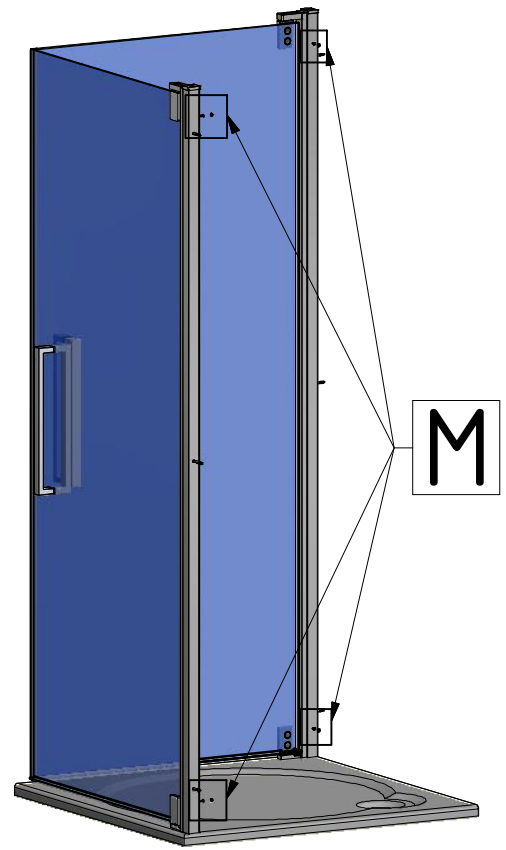
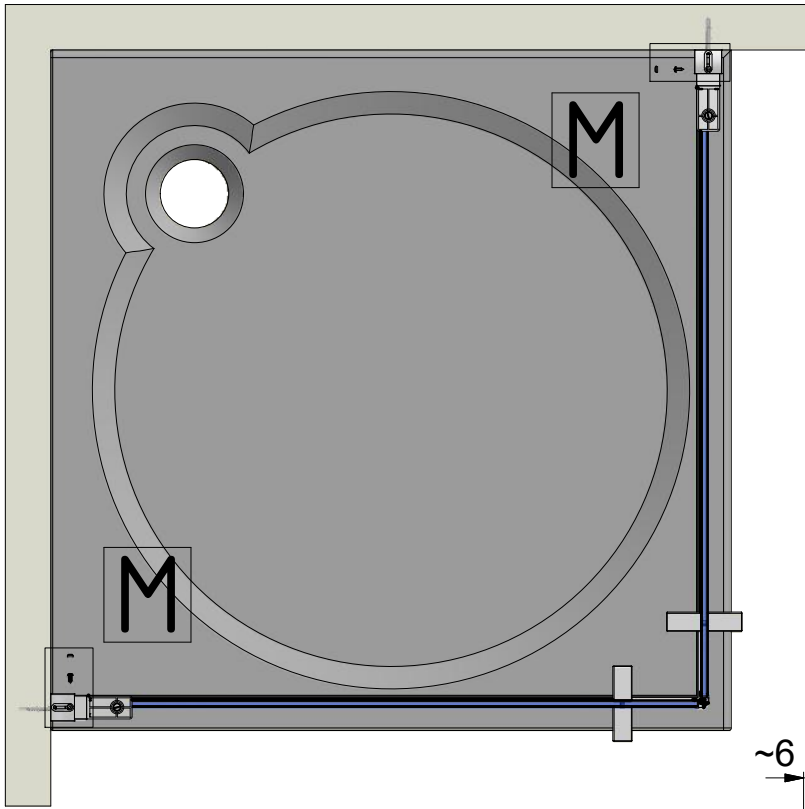


OK

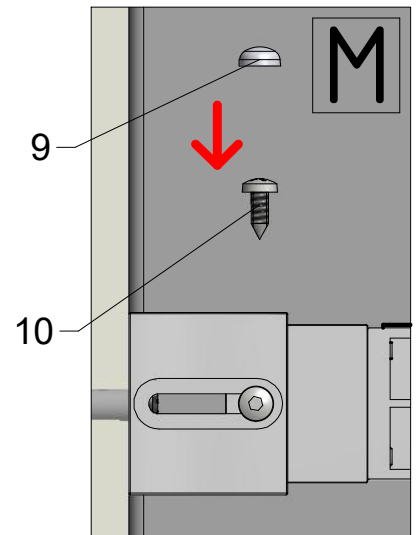
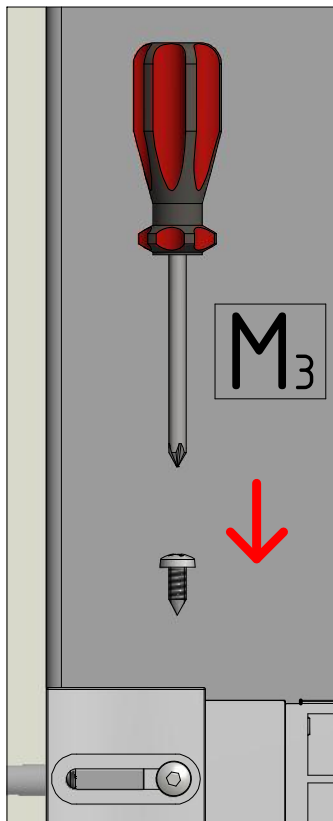
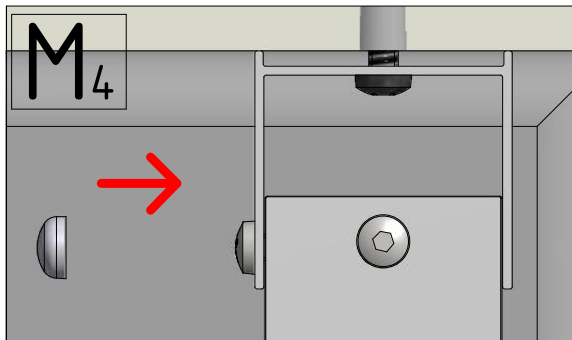
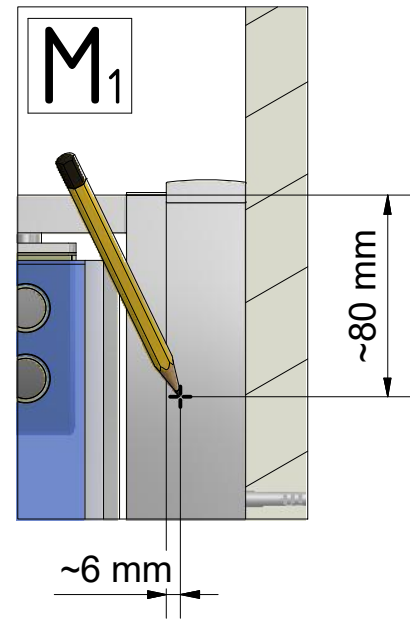
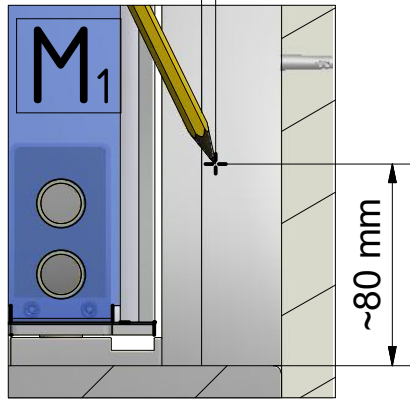
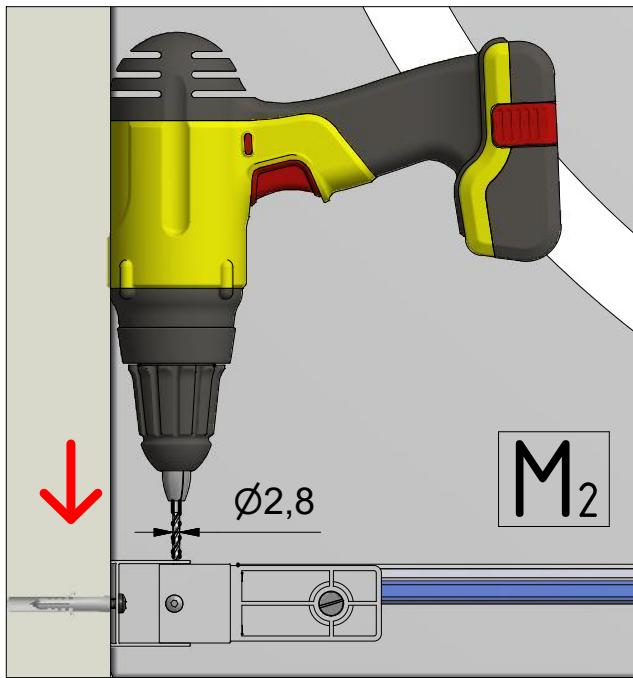


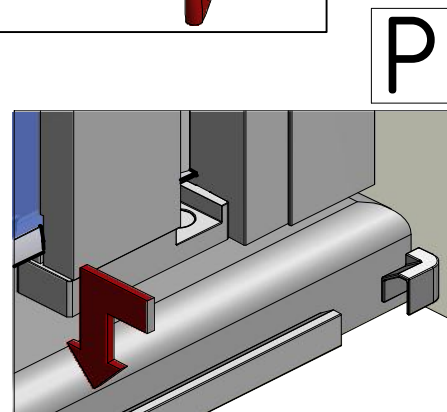
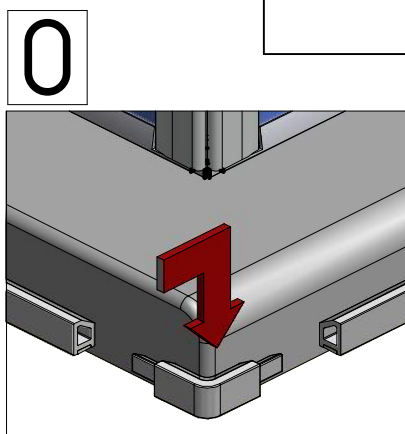
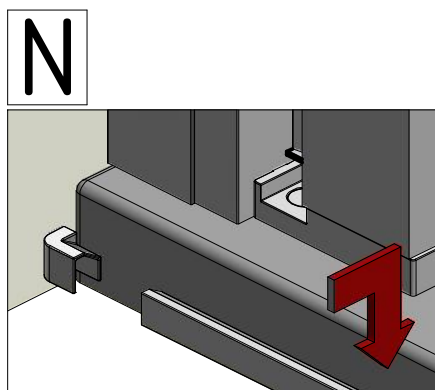
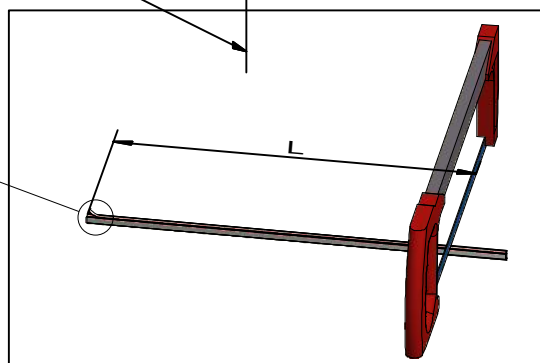
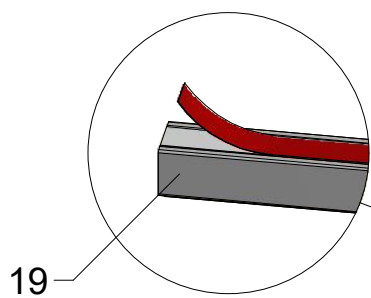
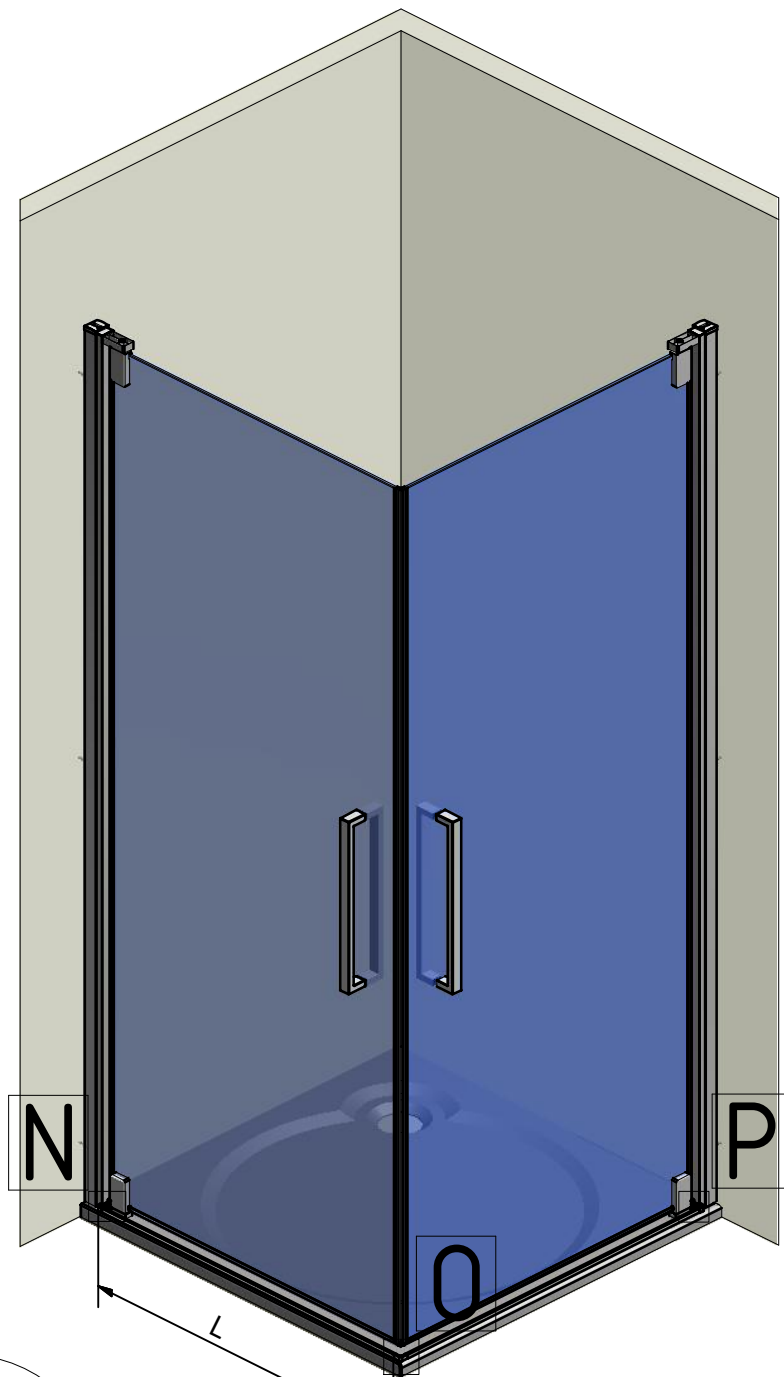
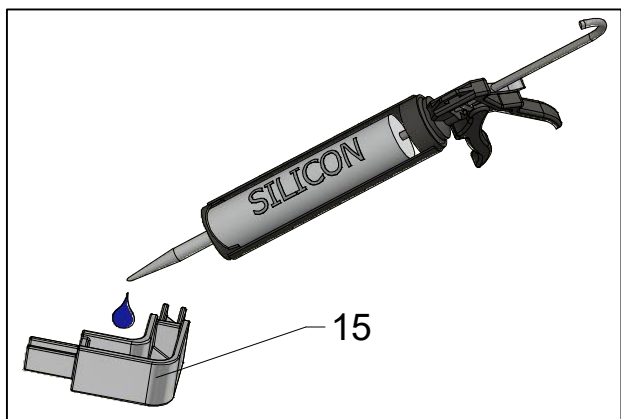
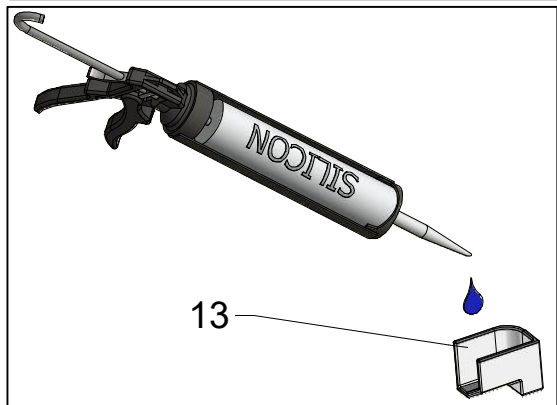
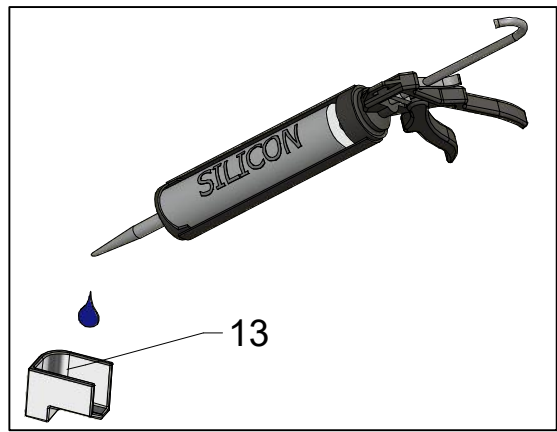
J

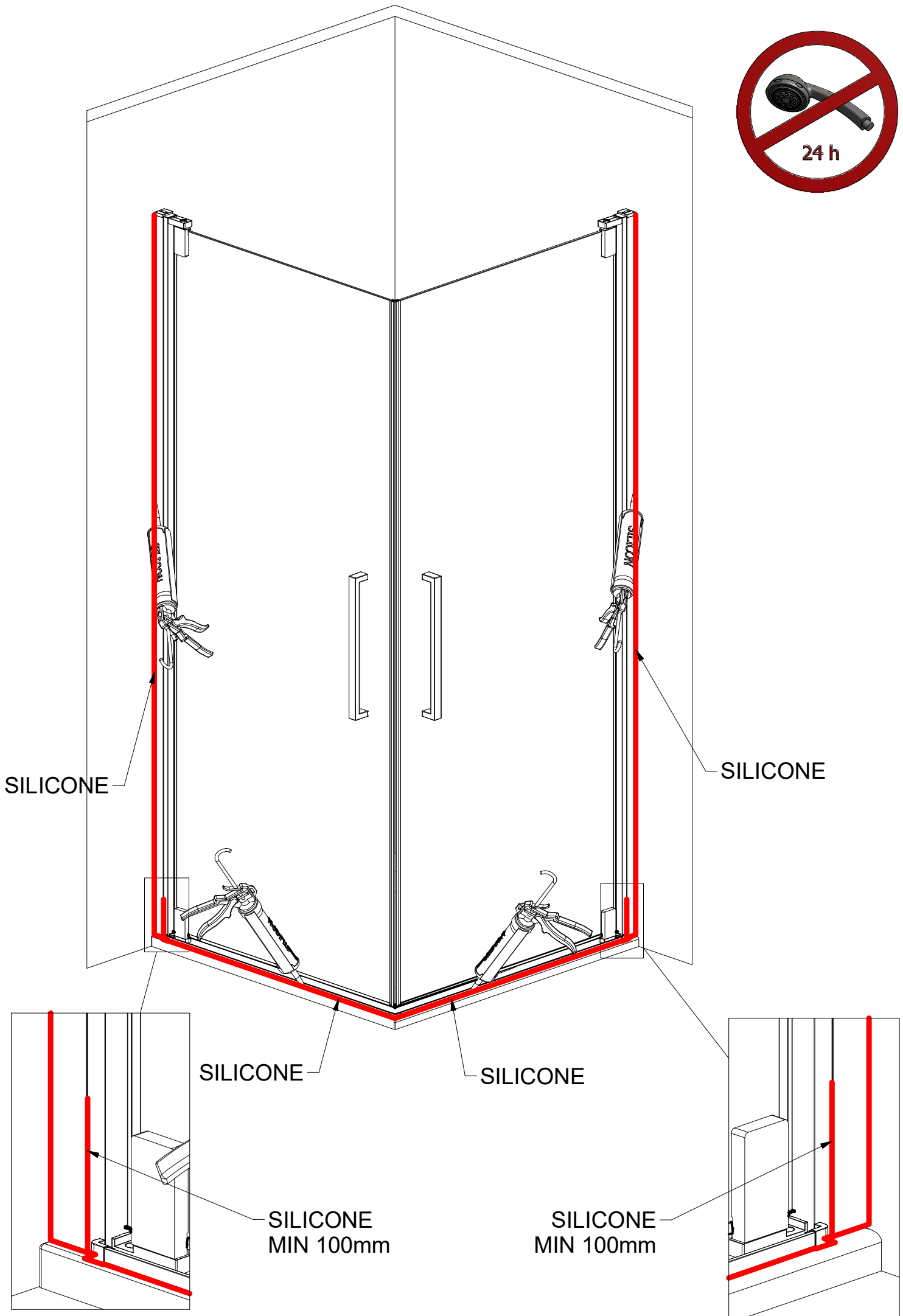




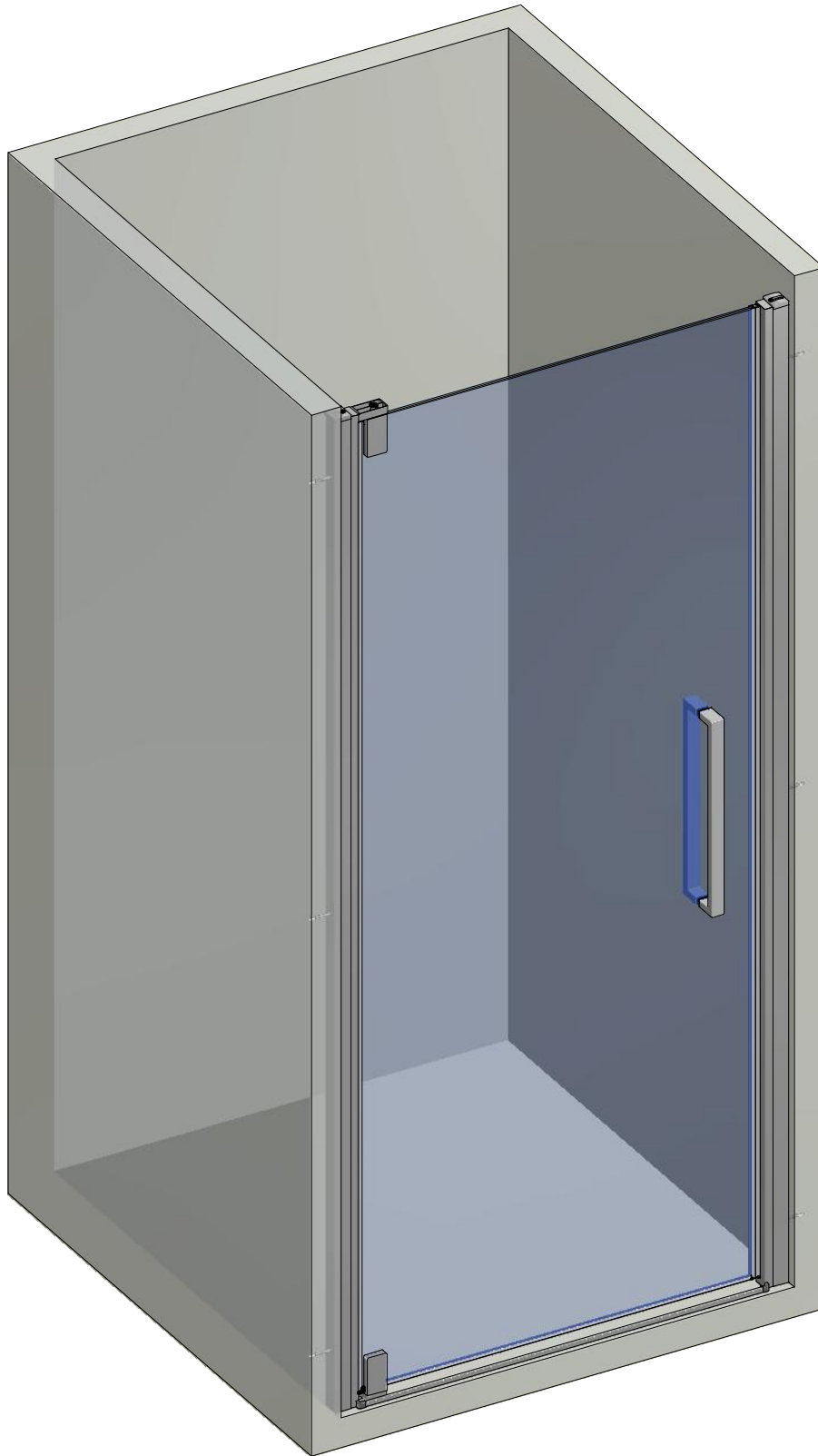
~6 mm





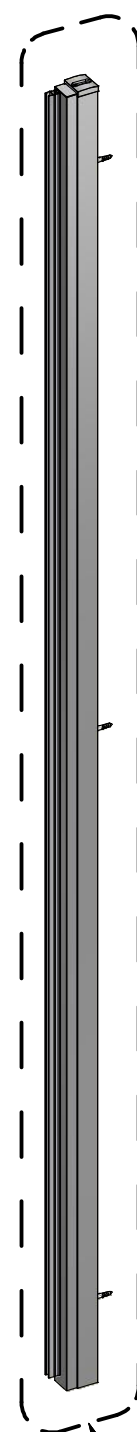
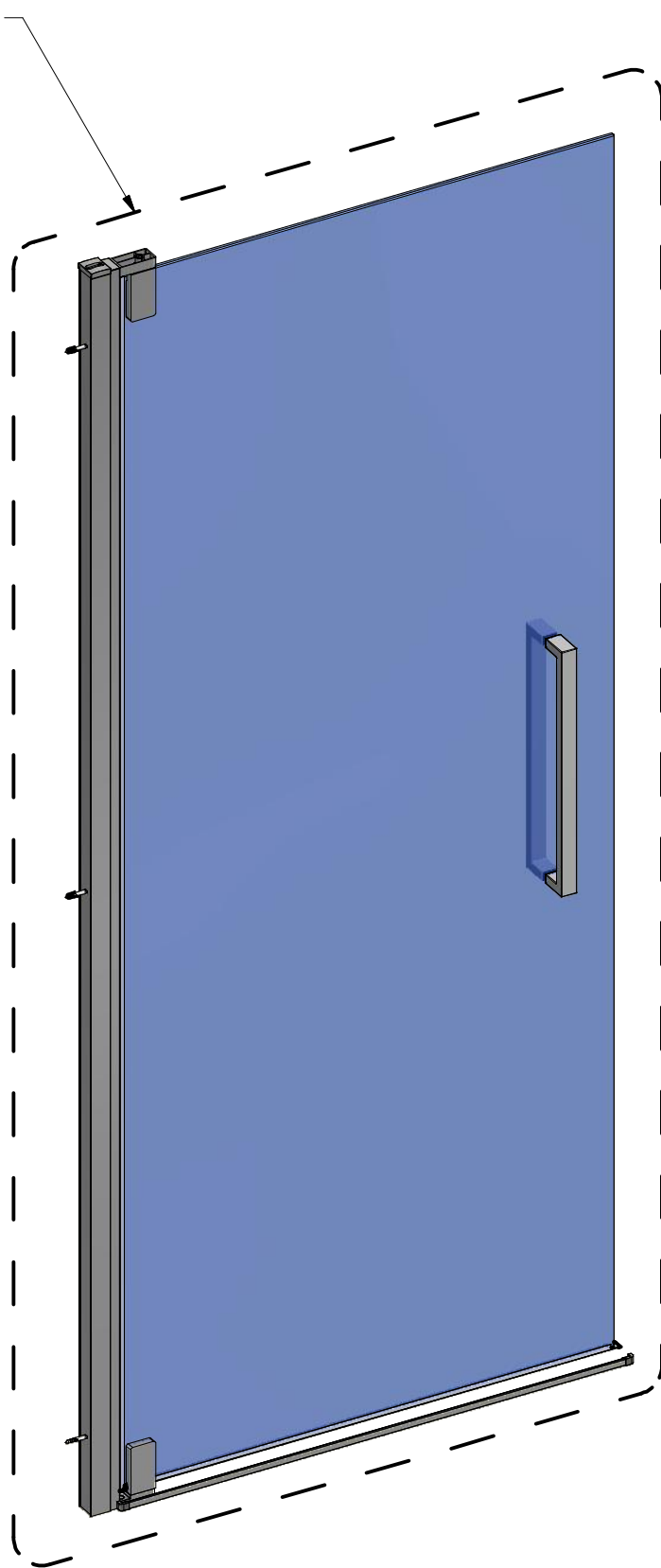


HI PI2 + HI SET



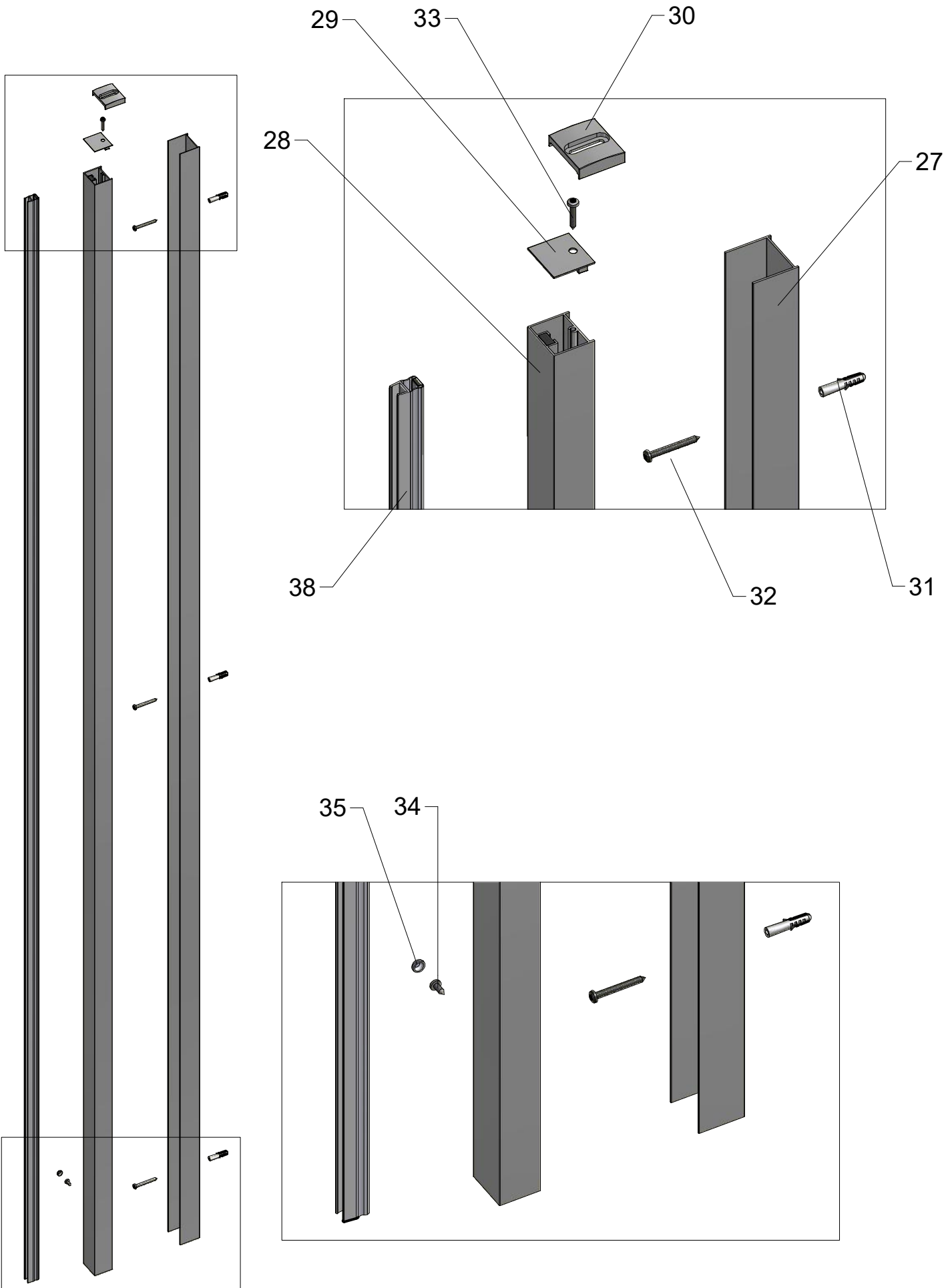
Sehen Montageanleitung HI PI2 + HI PI2
See installation instructions HI PI2 + HI PI2
Dle montážního návodu HI PI2 + HI PI2

HI PI2

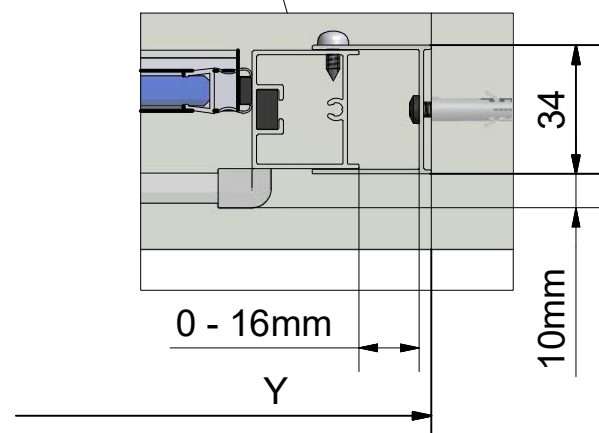
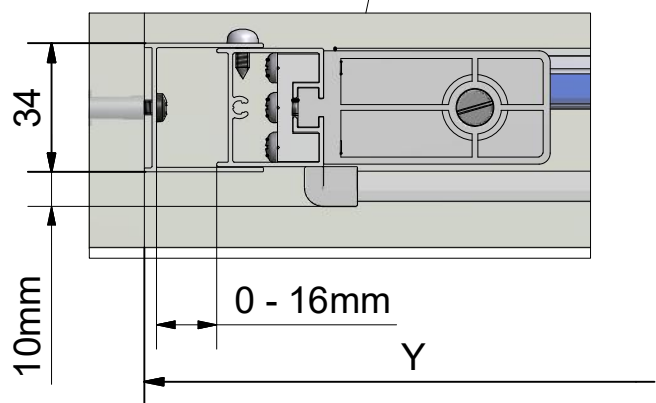
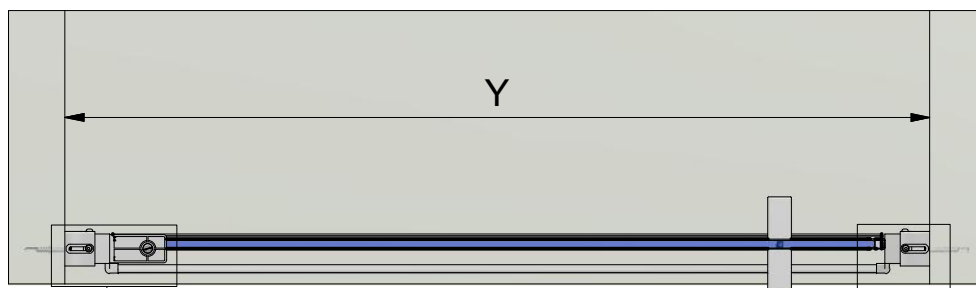


HI SET

HI SET



HI PI2 + HI SET



HI PI2 + HI SET	
TYPE	Y (mm)
800	783 - 815
900	883 - 915
1000	983 - 1015

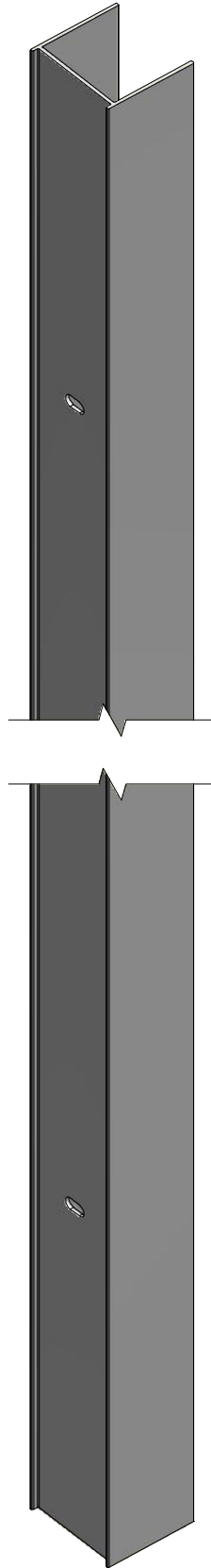
HI SET			
POS.	PREVIEW	PCS	SPARE PART
27		1	ND01-4007
28		1	ND01-4012
29		1	ND01-4013
30		1	ND01-4013

HI SET			
POS.	PREVIEW	PCS	SPARE PART
31		3	ND01-4013
32		3	ND01-4013
33		1	ND01-4013
34		1	ND01-4013
35		1	ND01-4013
36		1	ND01-4013
37		1	ND01-4013
38		1	ND01-4014

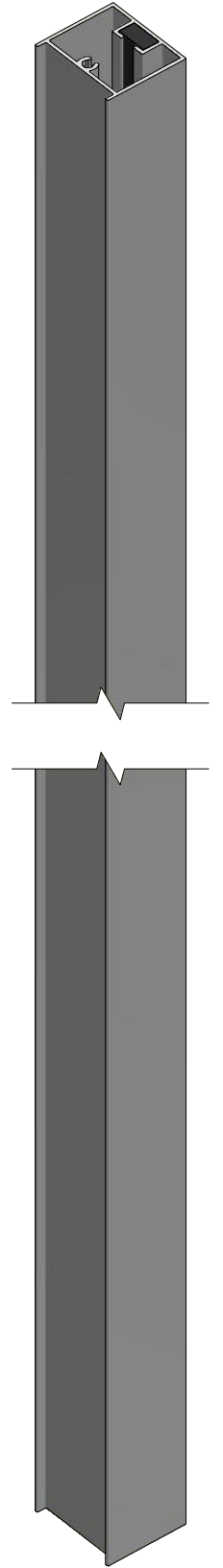
ND01-4013



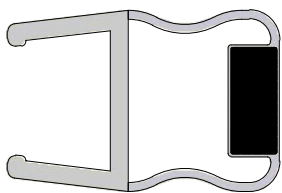
ND01-4007

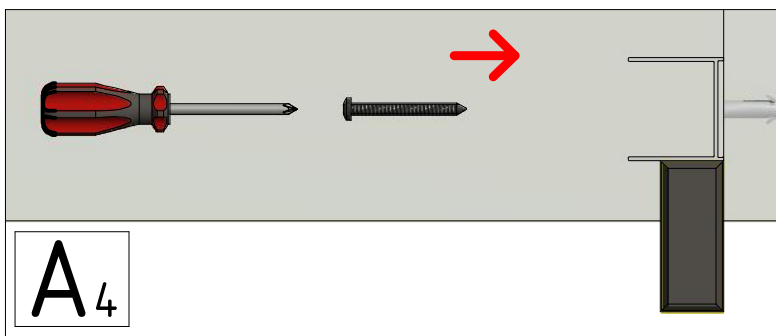
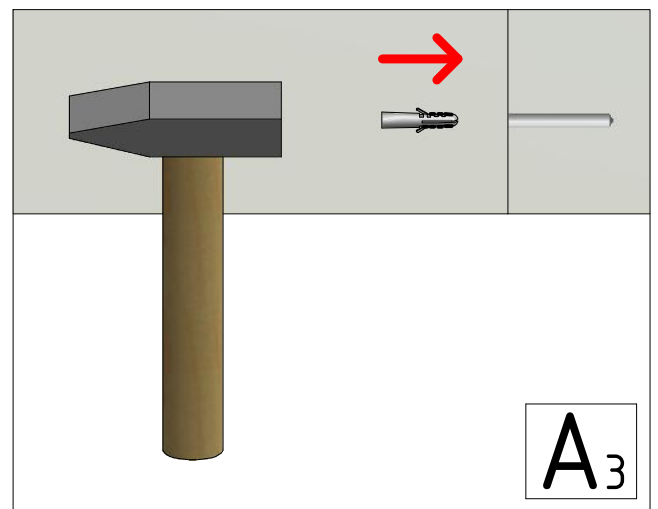
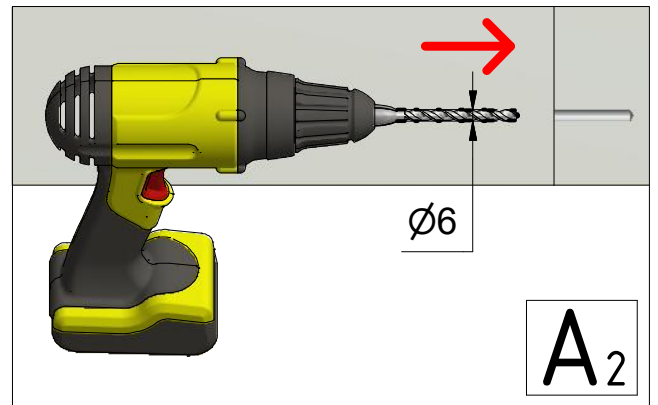
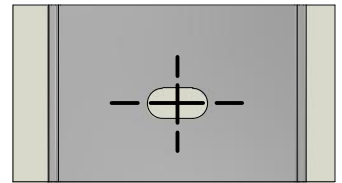
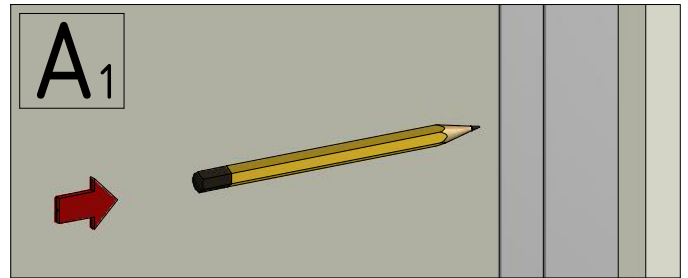
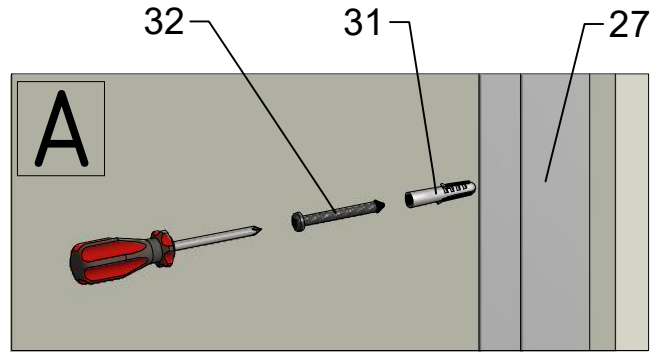
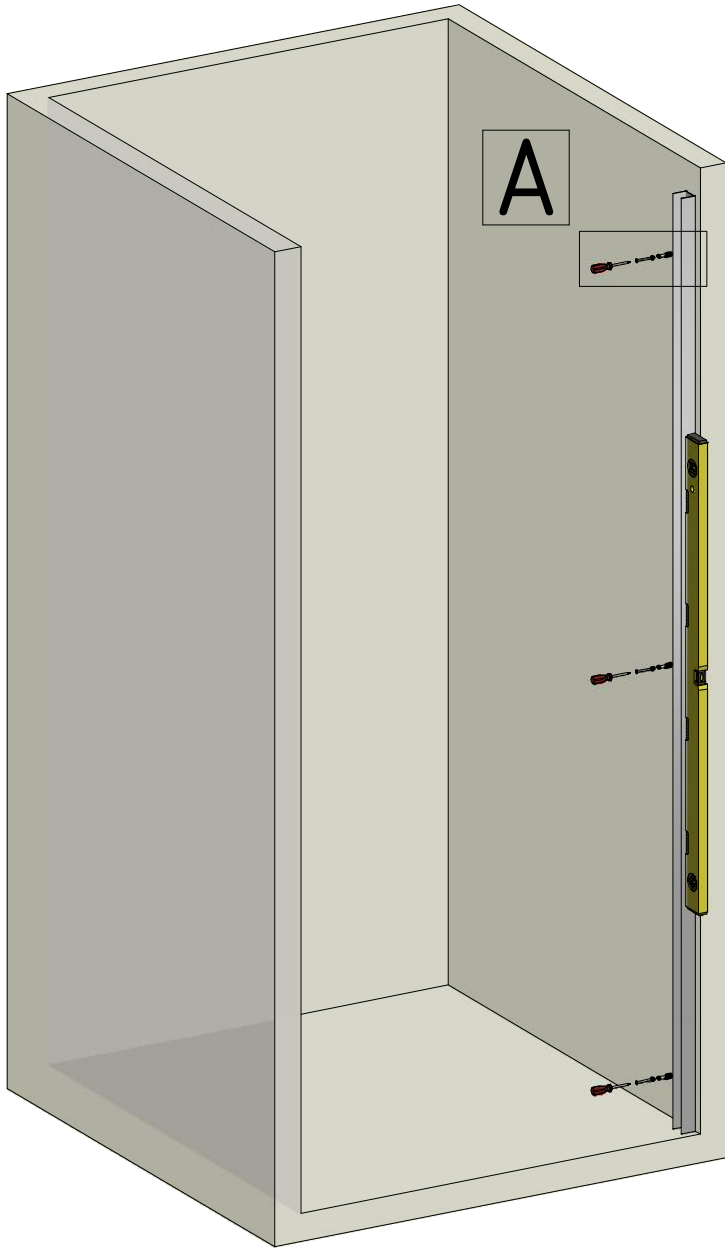
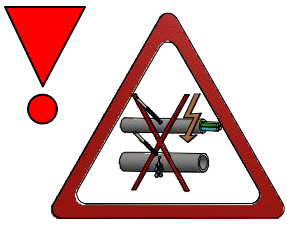


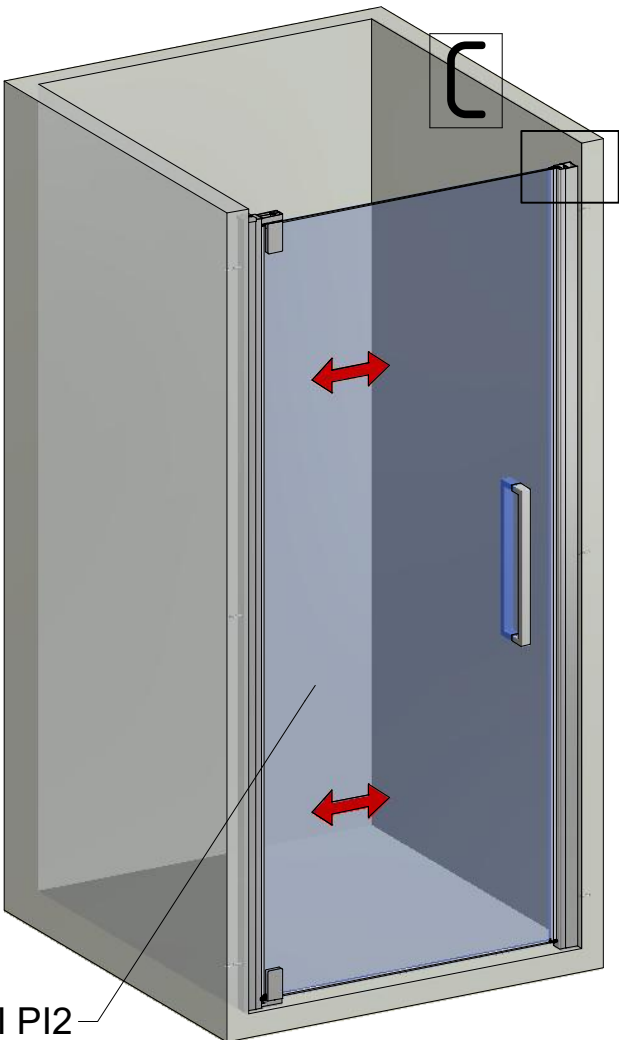
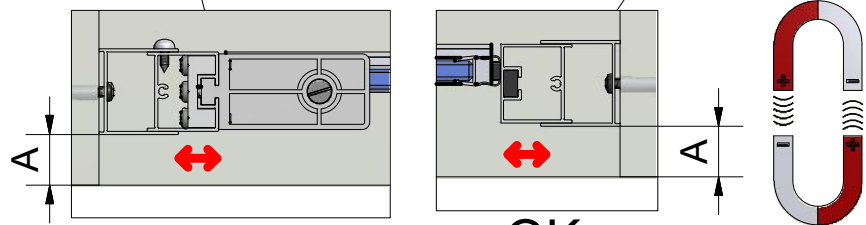
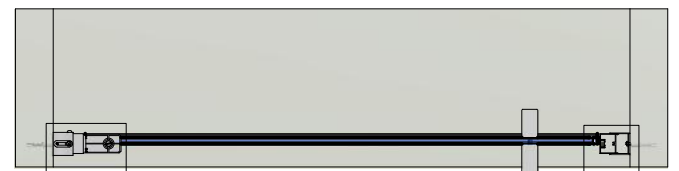
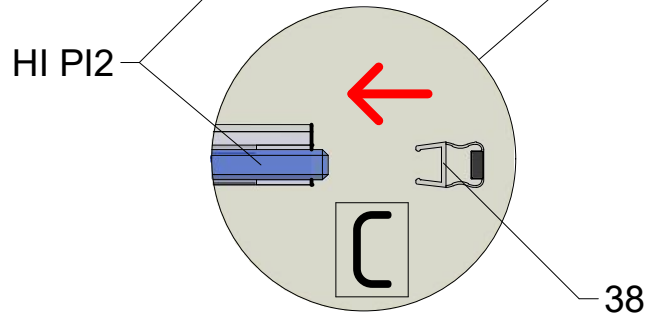
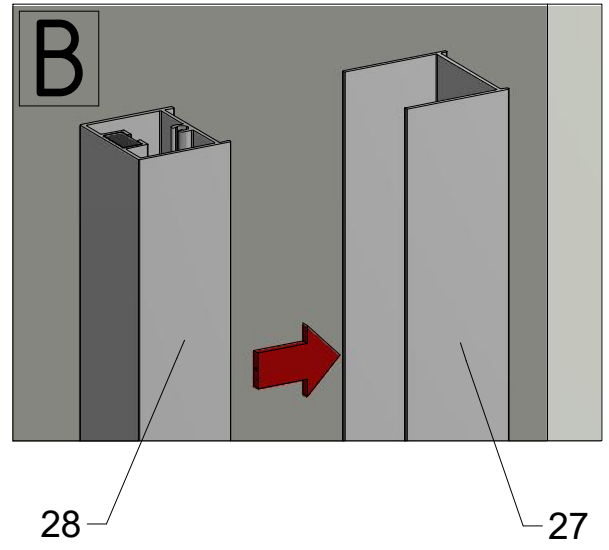
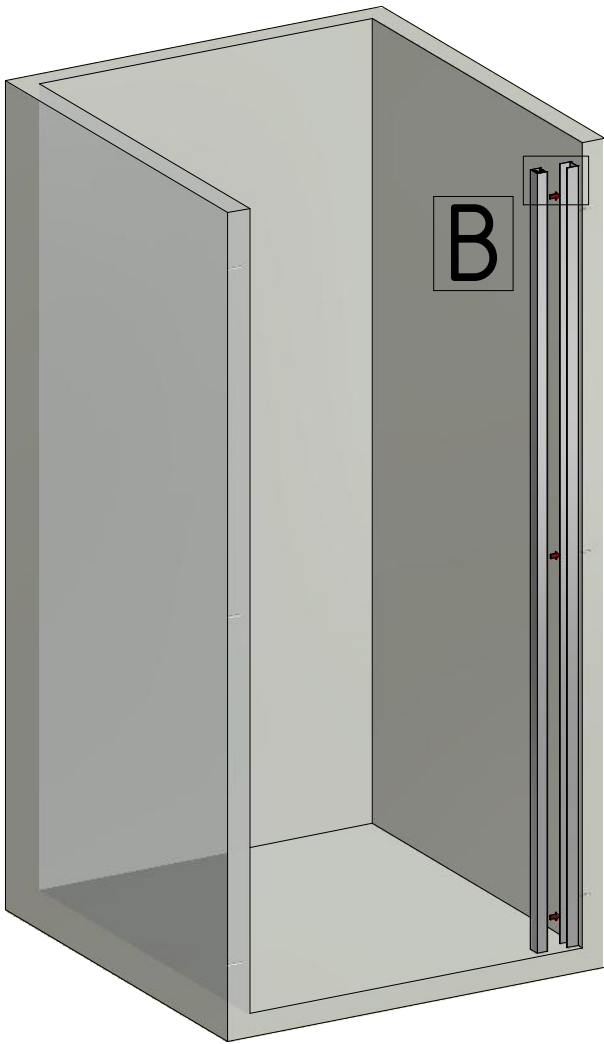
ND01-4012



ND01-4014



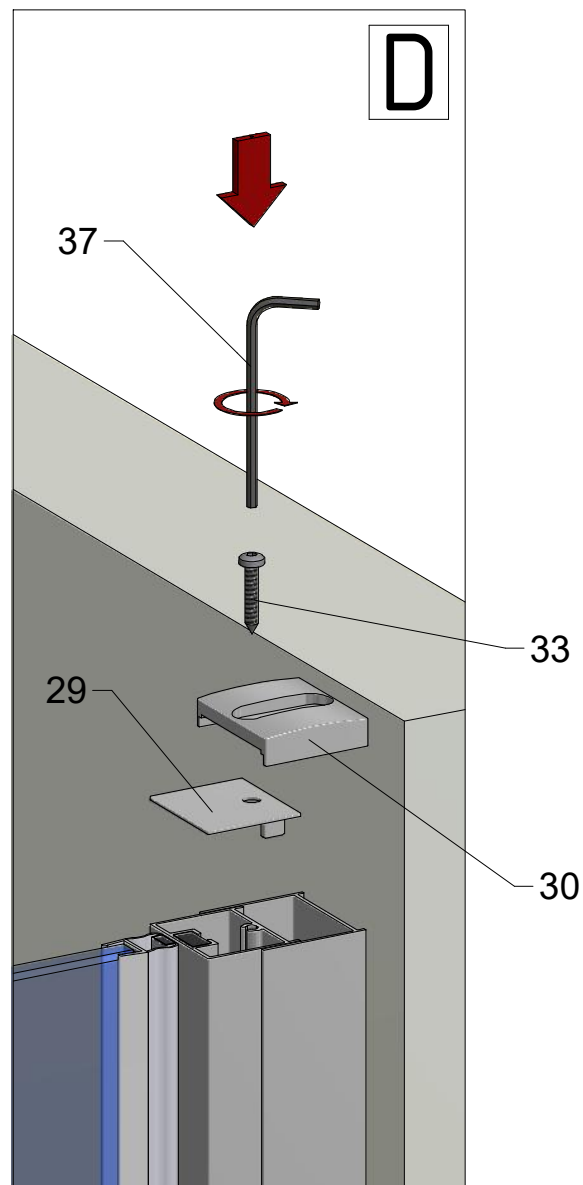
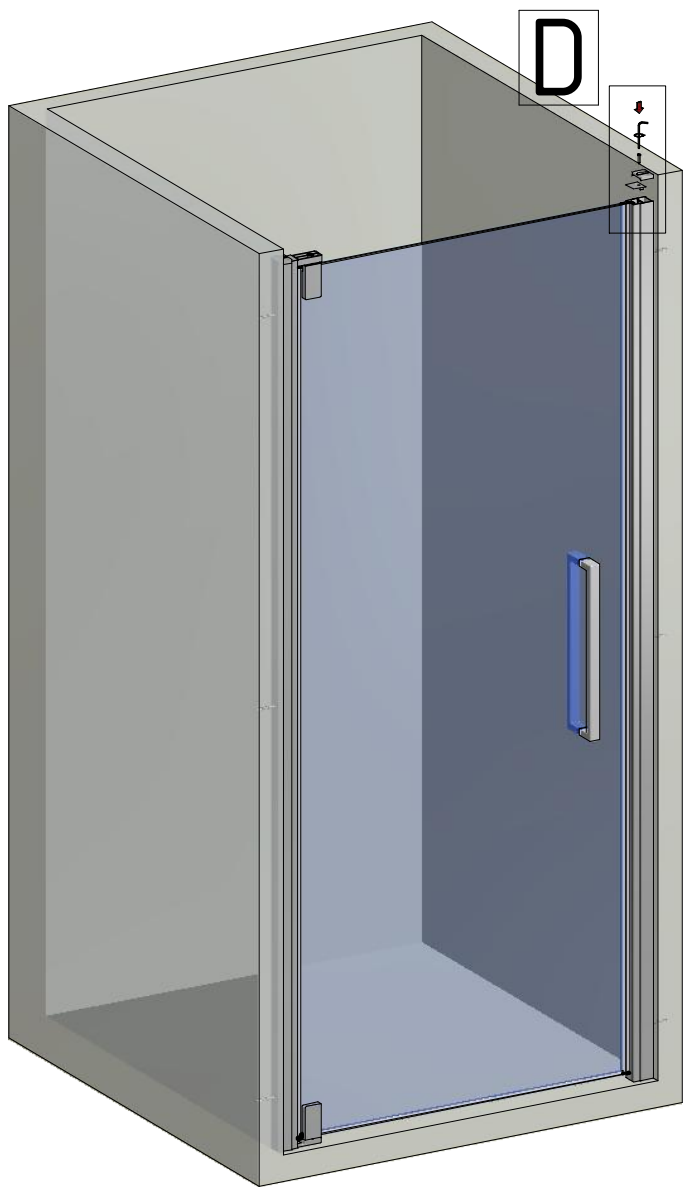


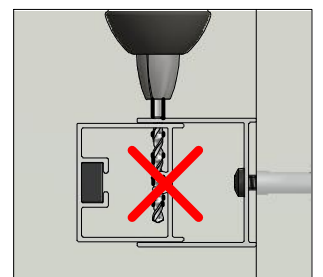
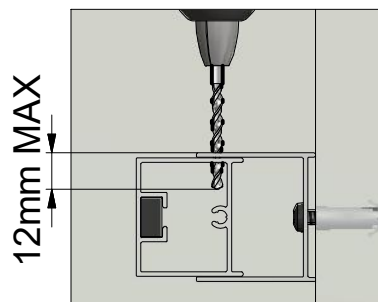
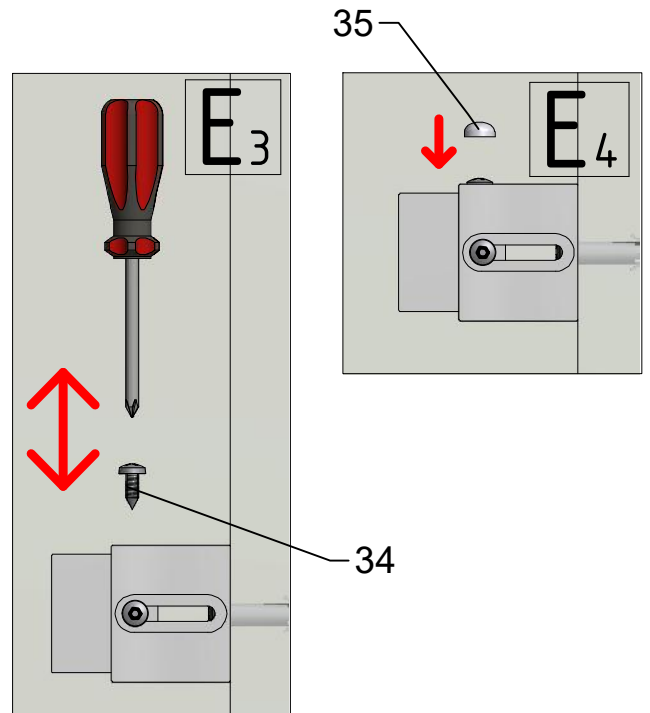
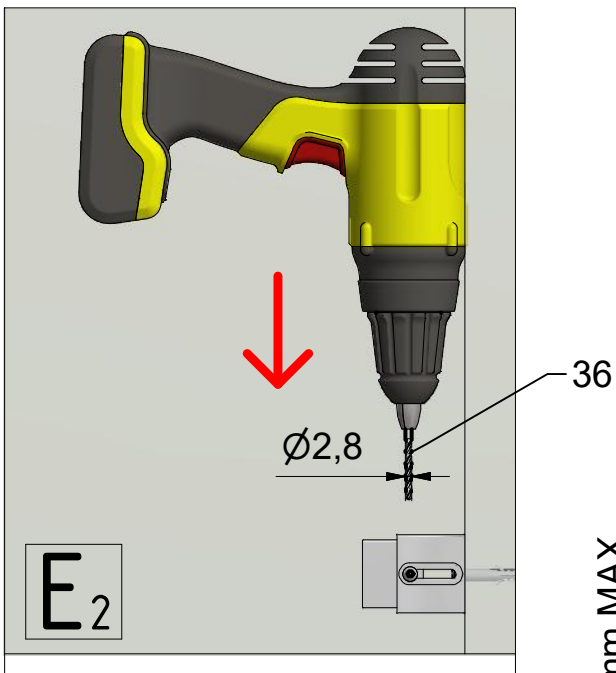
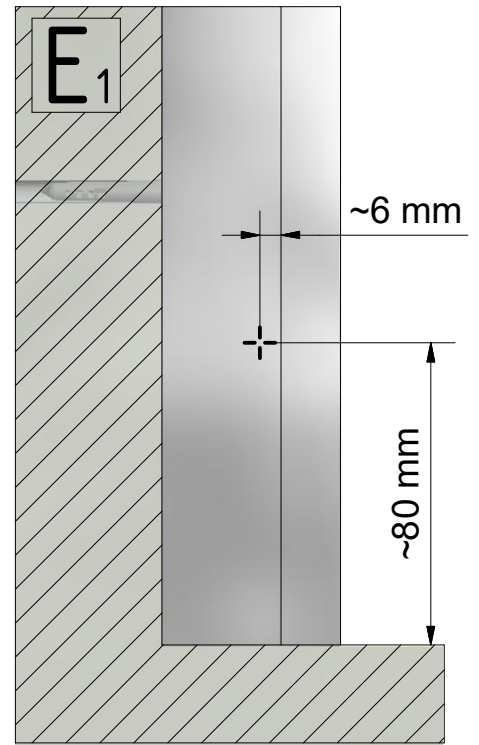


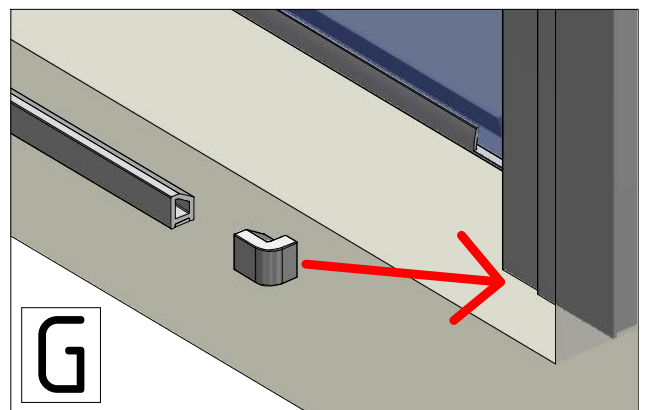
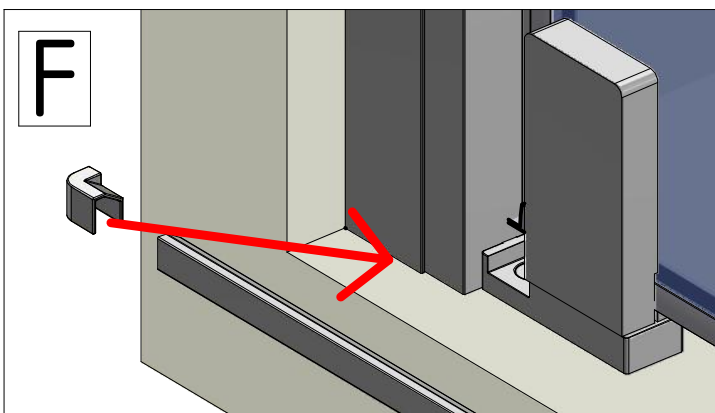
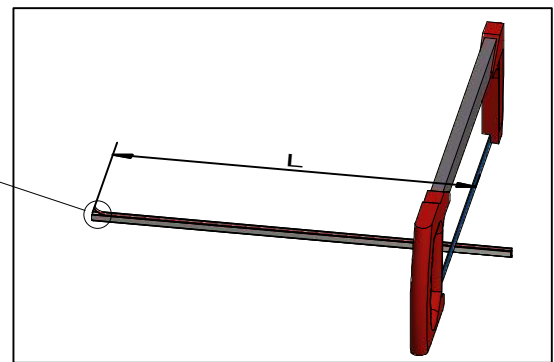
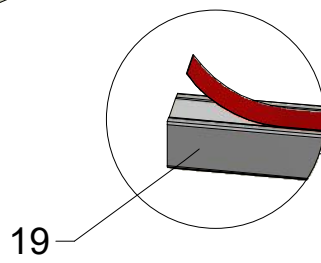
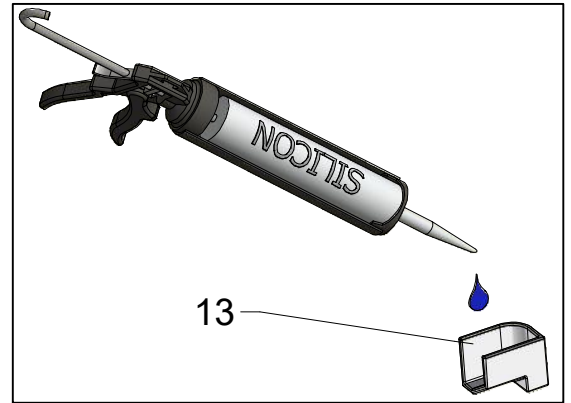
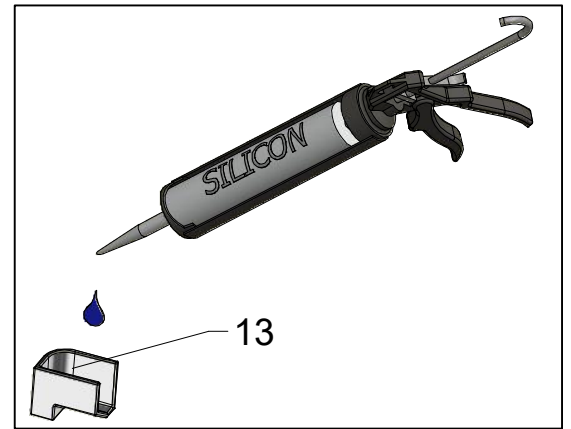
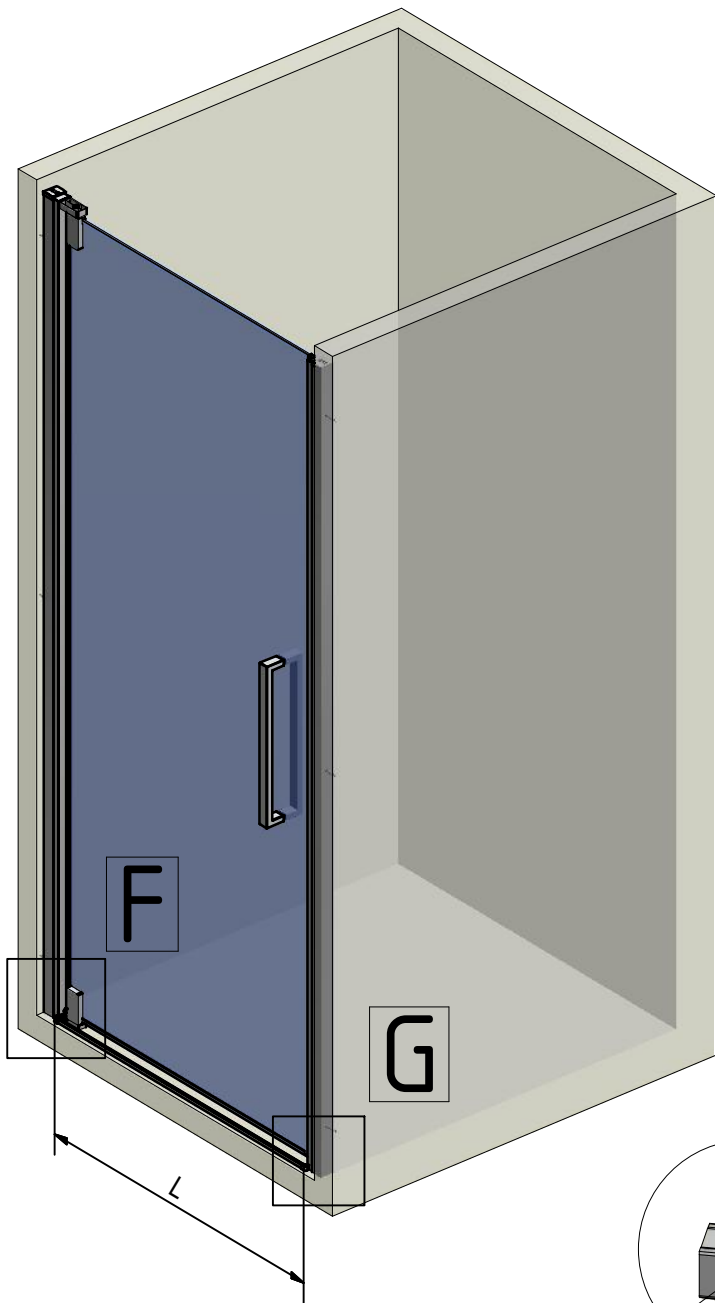
HI PI2

21 A = A

OK

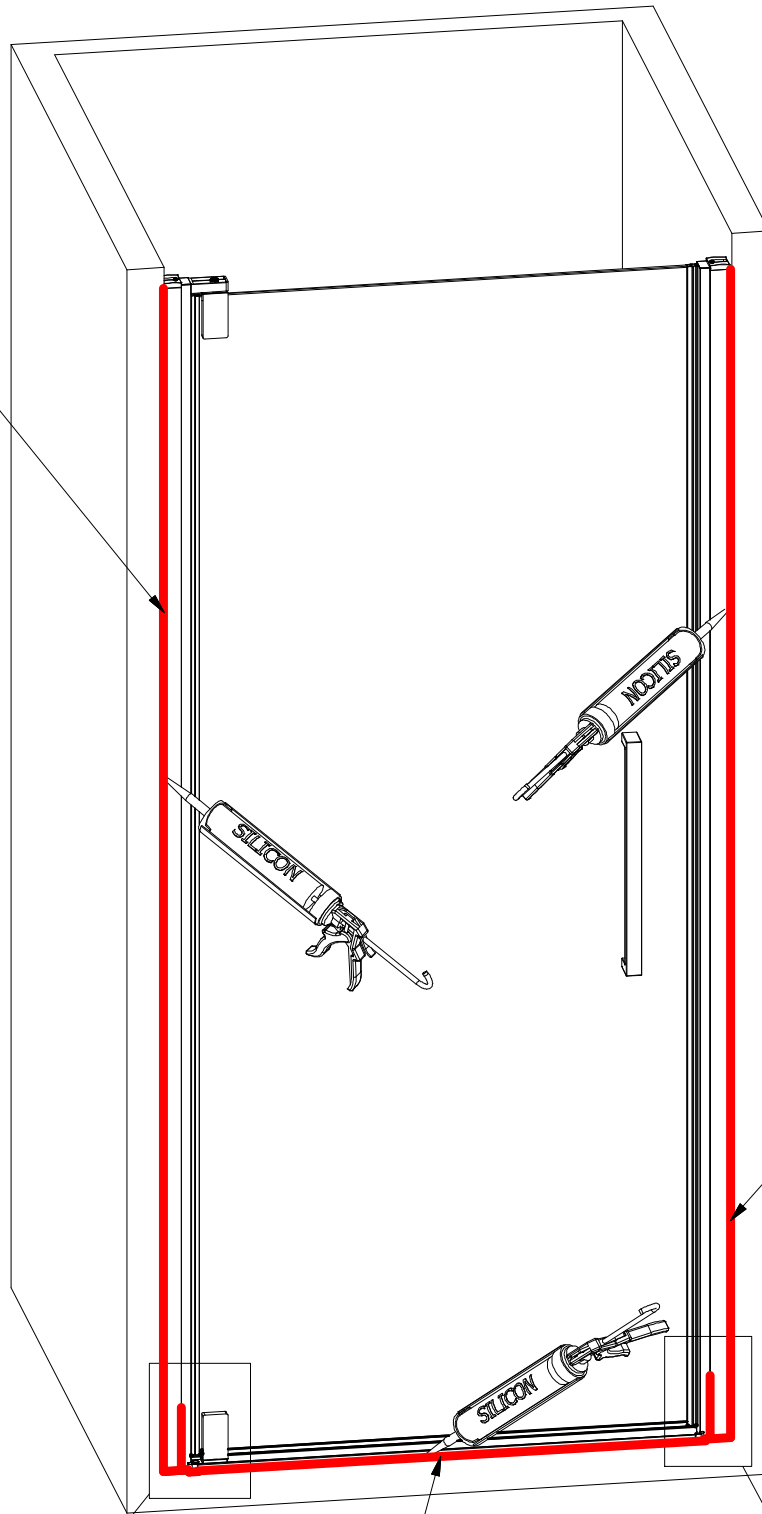






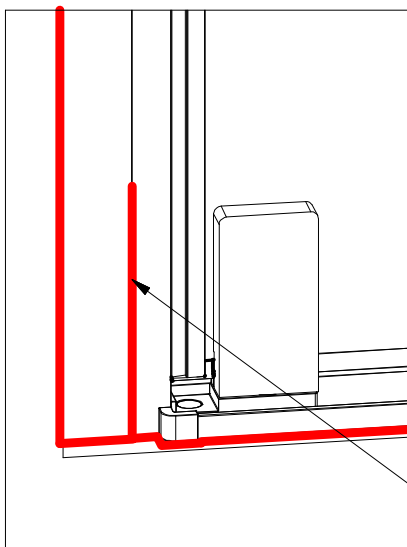


SILICONE

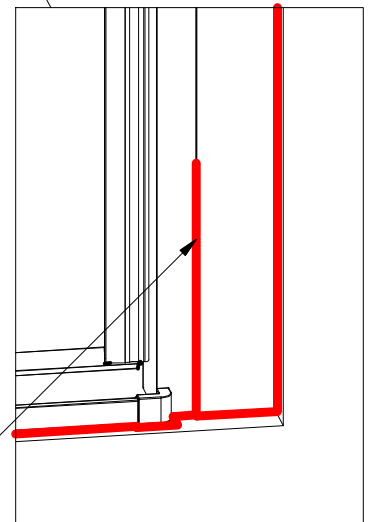


SILICONE

SILICONE

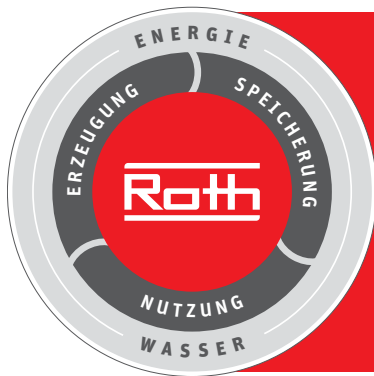


SILICONE
MIN 100mm



SILICONE
MIN 100mm

V278	800	Transparent	ND02-0894-02
	900		ND02-0895-02
	1000		ND02-0896-02



Roth Energy and Sanitary Systems

Generation

- > Solar systems
- > Heat pump systems
- > Solar heat pump systems

Storage

- Storage systems for
- > Domestic & heating water
 - > Combustibles and biofuels
 - > Rainwater and waste water

Application

- > Radiant heating and cooling systems
- > Pipe installation systems
- > Shower systems



■ Deutschland

ROTH WERKE GMBH
Am Seerain 2
35232 Dautphetal
Telefon: 06466/922-0
Telefax: 06466/922-100
E-Mail: service@roth-werke.de
www.roth-werke.de

■ Czech Republic

Roth Czech s.r.o.
Třebořov 160
569 33 Třebořov
Tel.: +420 461 324 301
Fax.: +420 461 324 297
E-Mail: objednavky@roth-czech.cz
www.roth-czech.cz